



US00D884383S

(12) **United States Design Patent**  
**Klipshtein**

(10) **Patent No.:** **US D884,383 S**

(45) **Date of Patent:** **\*\* May 19, 2020**

(54) **SCRAP TRAP**

(71) Applicant: **Hutzler Manufacturing Co., Inc.**,  
Canaan, CT (US)

(72) Inventor: **Guy Klipshtein**, Givatayim (IL)

(73) Assignee: **Hutzler Manufacturing Co., Inc.**,  
Canaan, CT (US)

(\*\*) Term: **15 Years**

(21) Appl. No.: **29/639,415**

(22) Filed: **Mar. 6, 2018**

(51) **LOC (12) Cl.** ..... **06-06**

(52) **U.S. Cl.**  
USPC ..... **D6/513**

(58) **Field of Classification Search**  
USPC ..... D6/513; D7/316, 500, 509, 542, 543,  
D7/545, 560, 561, 566, 584, 586, 587,  
D7/602, 615, 629, 667, 323, 337, 354,  
D7/355, 356, 357, 358, 359, 366, 367,  
D7/368, 369, 381, 387, 397, 668, 669,  
D7/672, 688, 213, 400, 402, 408, 409,  
D7/412; D9/428, 425, 429, 432;  
D10/46.2; 220/574, 575, 676; 229/406;  
99/324, 325, 339, 345, 415, 416, 425,  
99/426; 126/37 R, 261, 374.1, 378.1;  
206/501, 502, 503, 504, 505, 507, 508;  
210/232, 249, 473, 497.01, 498; D34/1  
(Continued)

(56) **References Cited**

**U.S. PATENT DOCUMENTS**

D625,961 S \* 10/2010 Kent ..... D7/545  
D661,550 S \* 6/2012 Stamper ..... D7/543  
(Continued)

*Primary Examiner* — Wan Laymon  
*Assistant Examiner* — Mark Booker

(74) *Attorney, Agent, or Firm* — Patent Technologies,  
LLC; Robert Dale Gunderman

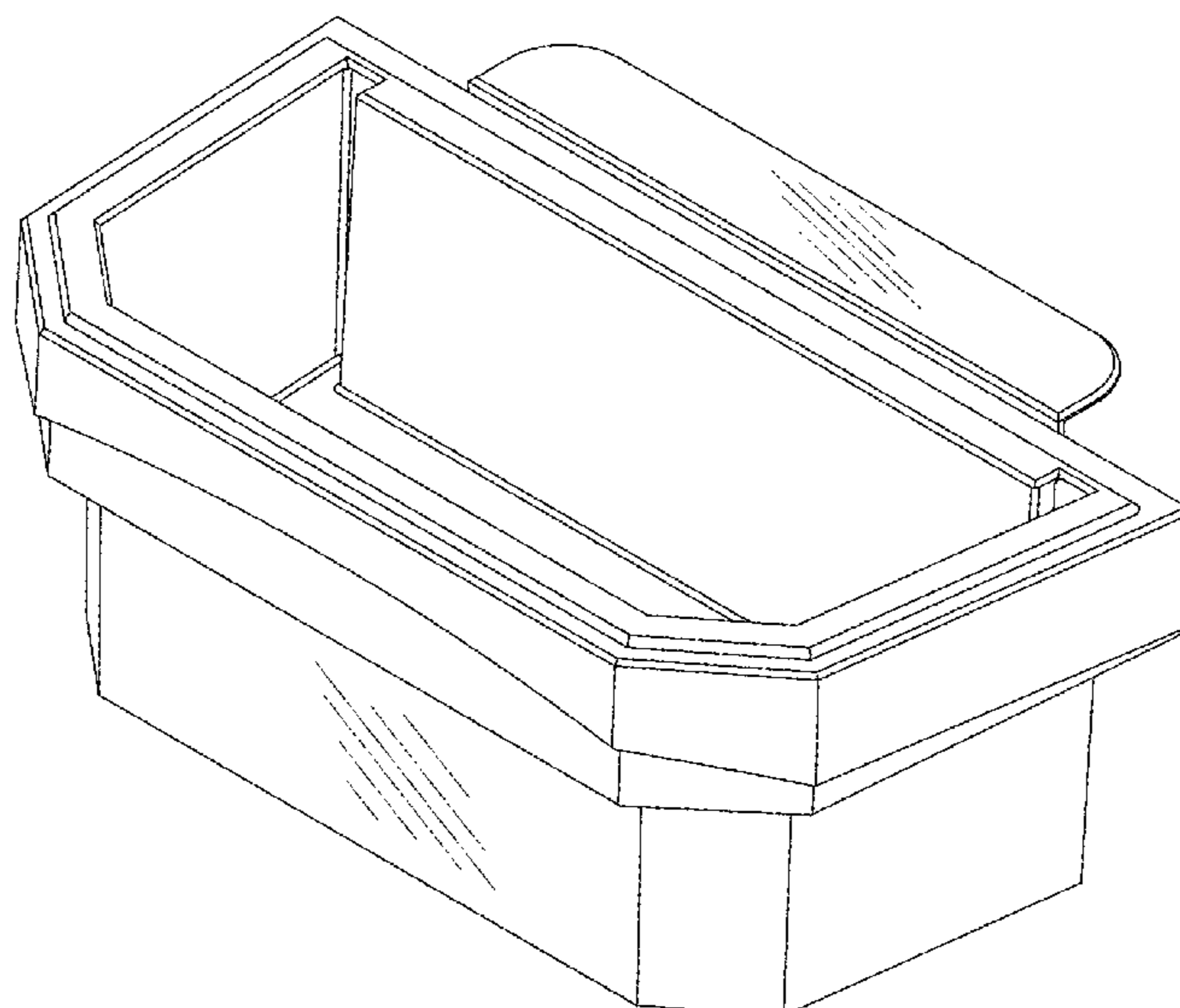
(57) **CLAIM**

The ornamental design for a scrap trap, as shown and  
described.

**DESCRIPTION**

FIG. 1 is a top perspective view of a scrap trap showing my  
new design;  
FIG. 2 is a bottom perspective view of the scrap trap of FIG.  
1 showing the suction cup assembly in a stored unused  
position;  
FIG. 3 is a top plan view of the scrap trap of FIG. 1;  
FIG. 4 is a bottom plan view of the scrap trap of FIG. 1  
showing the suction cup assembly in a stored unused posi-  
tion;  
FIG. 5 is a side plan view of the scrap trap of FIG. 1;  
FIG. 6 is an alternate side plan view of the scrap trap of FIG.  
1;  
FIG. 7 is an end plan view of the scrap trap of FIG. 1;  
FIG. 8 is an alternate end plan view of the scrap trap of FIG.  
1;  
FIG. 9 is a top perspective view of the scrap trap of FIG. 1  
in a separated position;  
FIG. 10 is a bottom perspective view of the scrap trap of  
FIG. 1 in a separated position;  
FIG. 11 is a top plan view of the scrap trap of FIG. 1 in a  
separated position;  
FIG. 12 is a bottom plan view of the scrap trap of FIG. 1 in  
a separated position;  
FIG. 13 is a side plan view of the scrap trap of FIG. 1 in a  
separated position;  
FIG. 14 is an alternate side plan view of the scrap trap of  
FIG. 1 in a separated position;  
FIG. 15 is an end plan view of the scrap trap of FIG. 1 in a  
separated position; and,  
FIG. 16 is an alternate end plan view of the scrap trap of  
FIG. 1 in a separated position.

**1 Claim, 16 Drawing Sheets**



(58) **Field of Classification Search**

CPC ..... A47G 19/02; A47L 19/04; A45C 3/045;  
A47J 43/22; A47J 43/24; B01D 29/37;  
B01D 29/35

See application file for complete search history.

(56) **References Cited**

U.S. PATENT DOCUMENTS

D723,293	S	*	3/2015	Goodman	.....	D6/513
D725,935	S	*	4/2015	Balogh	.....	D6/513
D819,914	S	*	6/2018	Mendoza	.....	D34/1
D852,572	S	*	7/2019	Klipshtein	.....	D7/359

\* cited by examiner

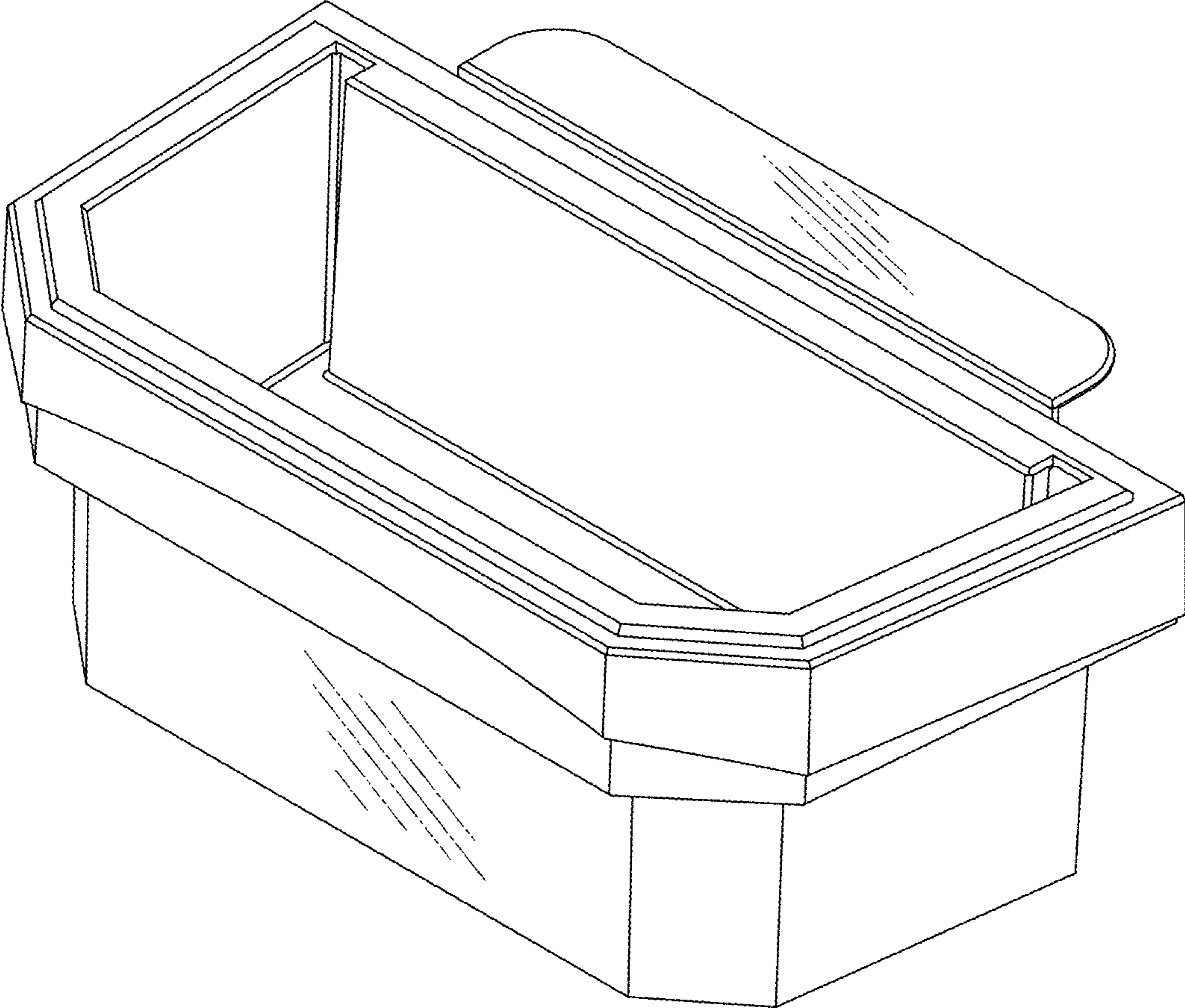


Fig. 1

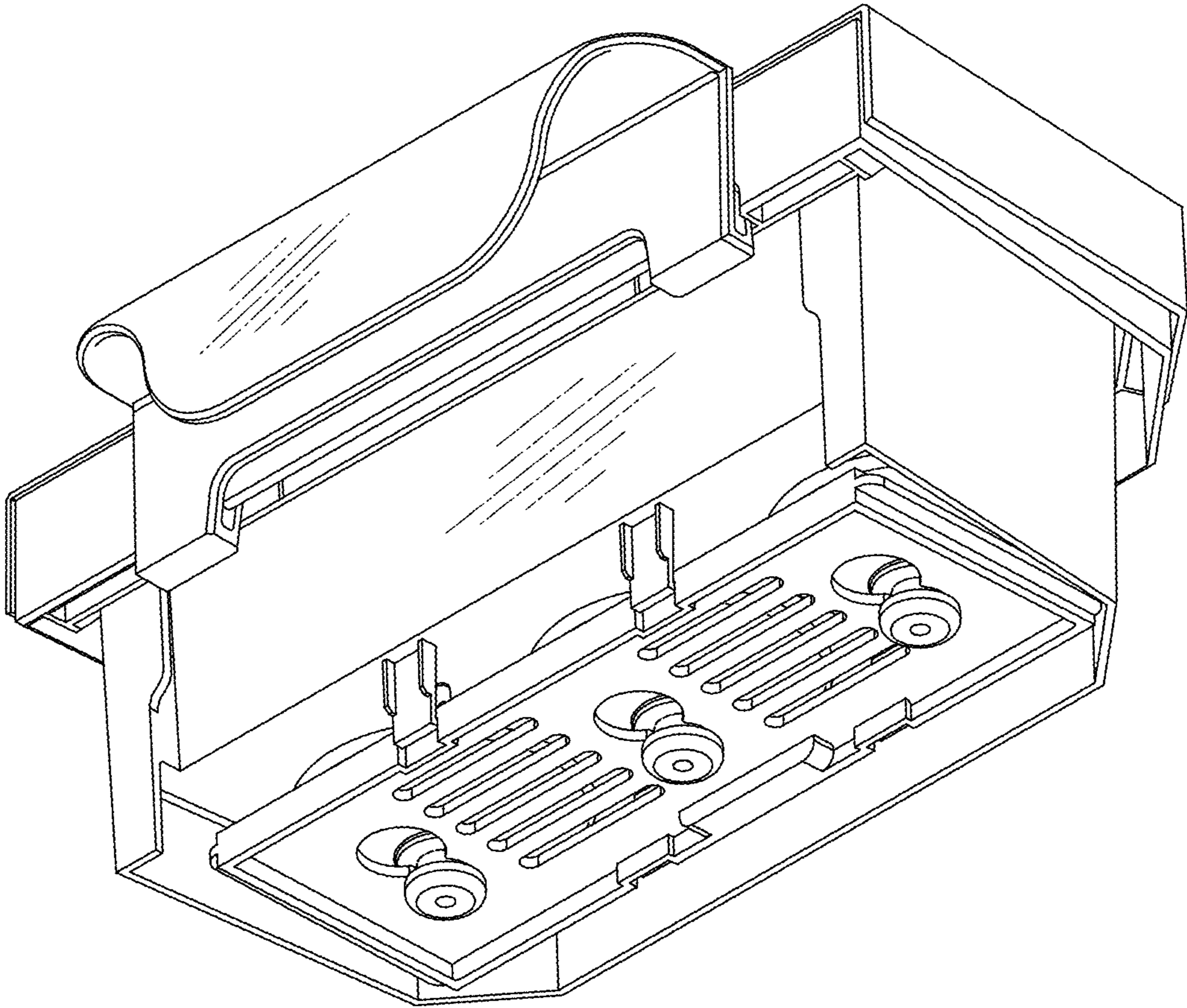


Fig. 2



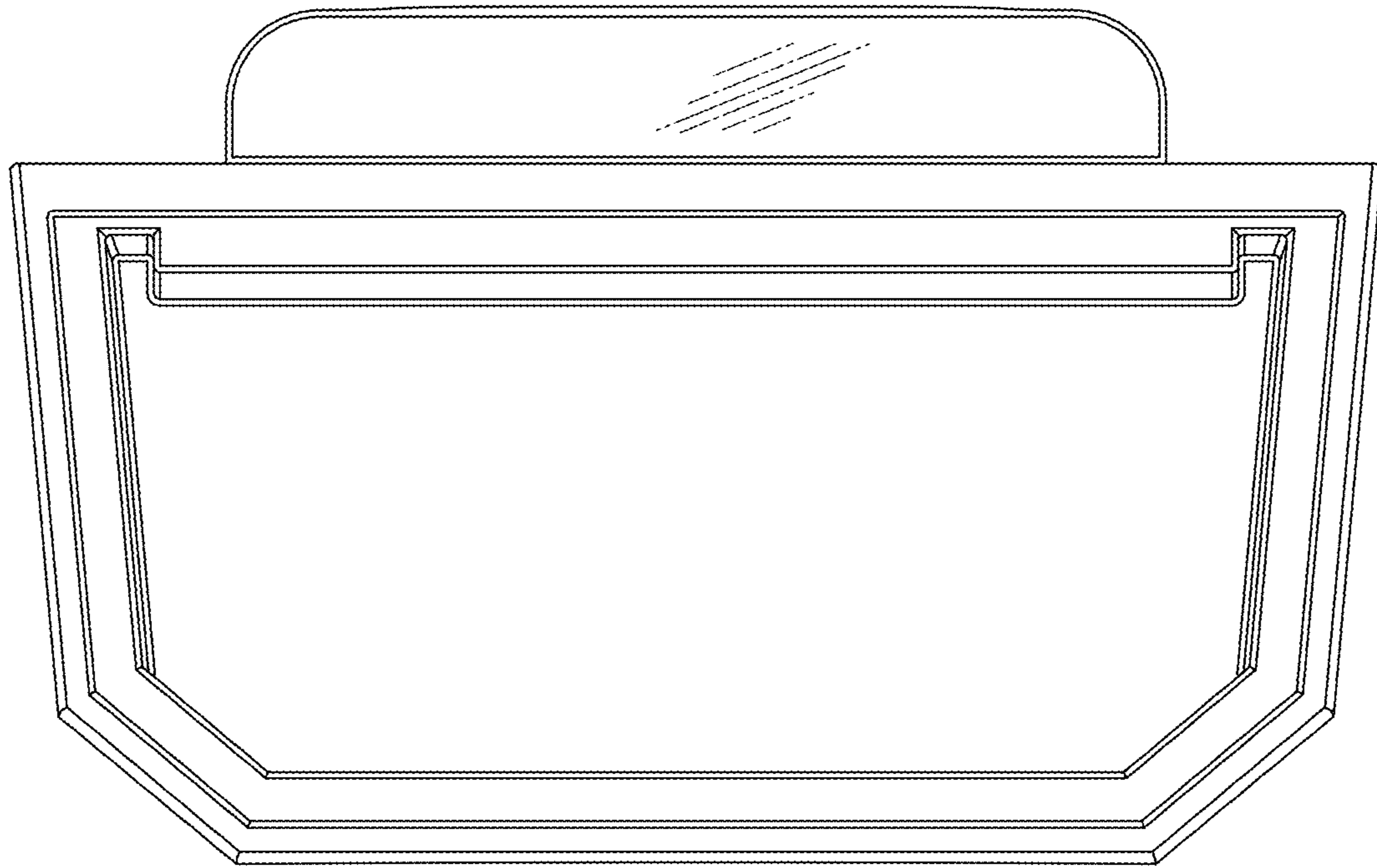


Fig. 3

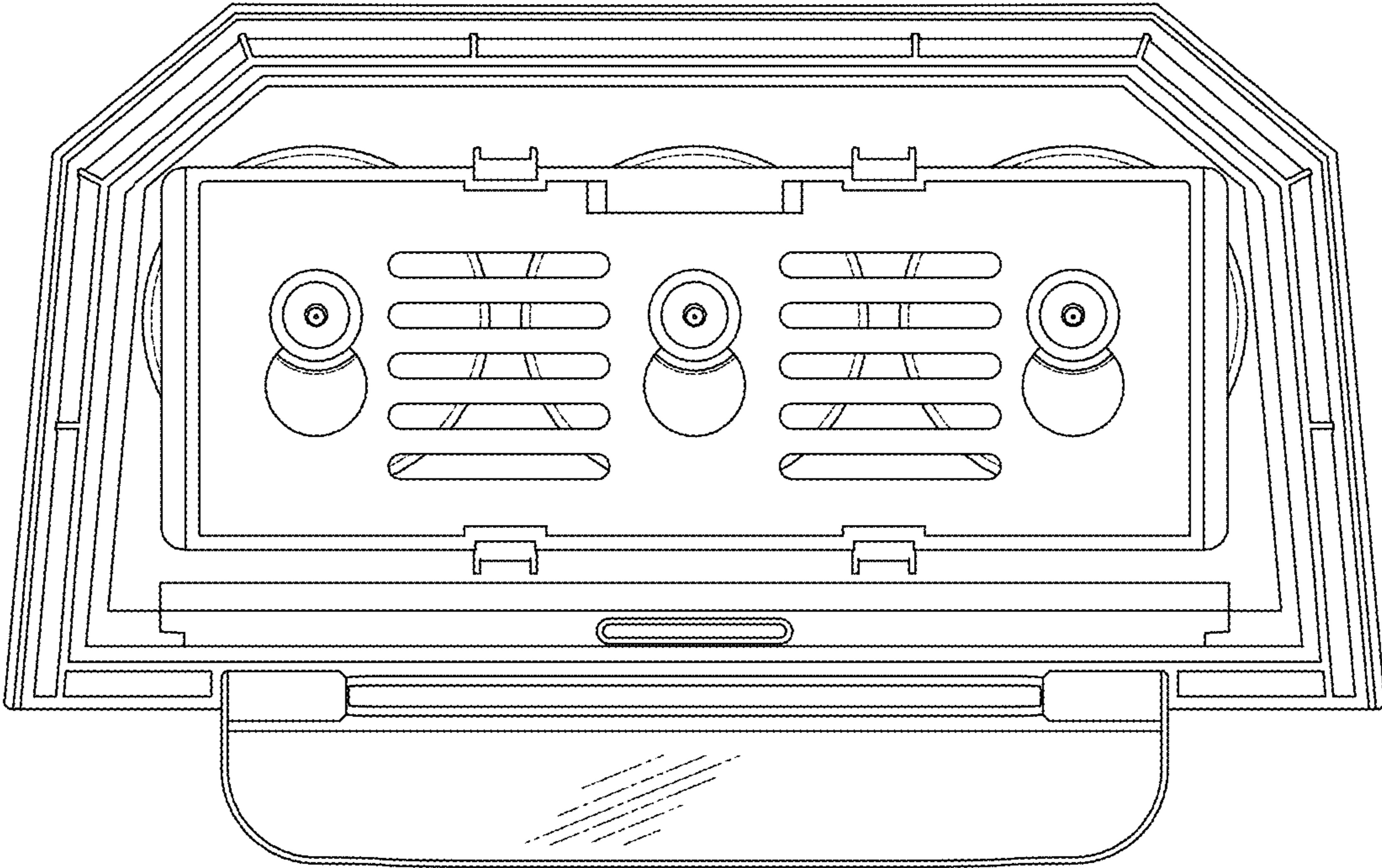


Fig. 4

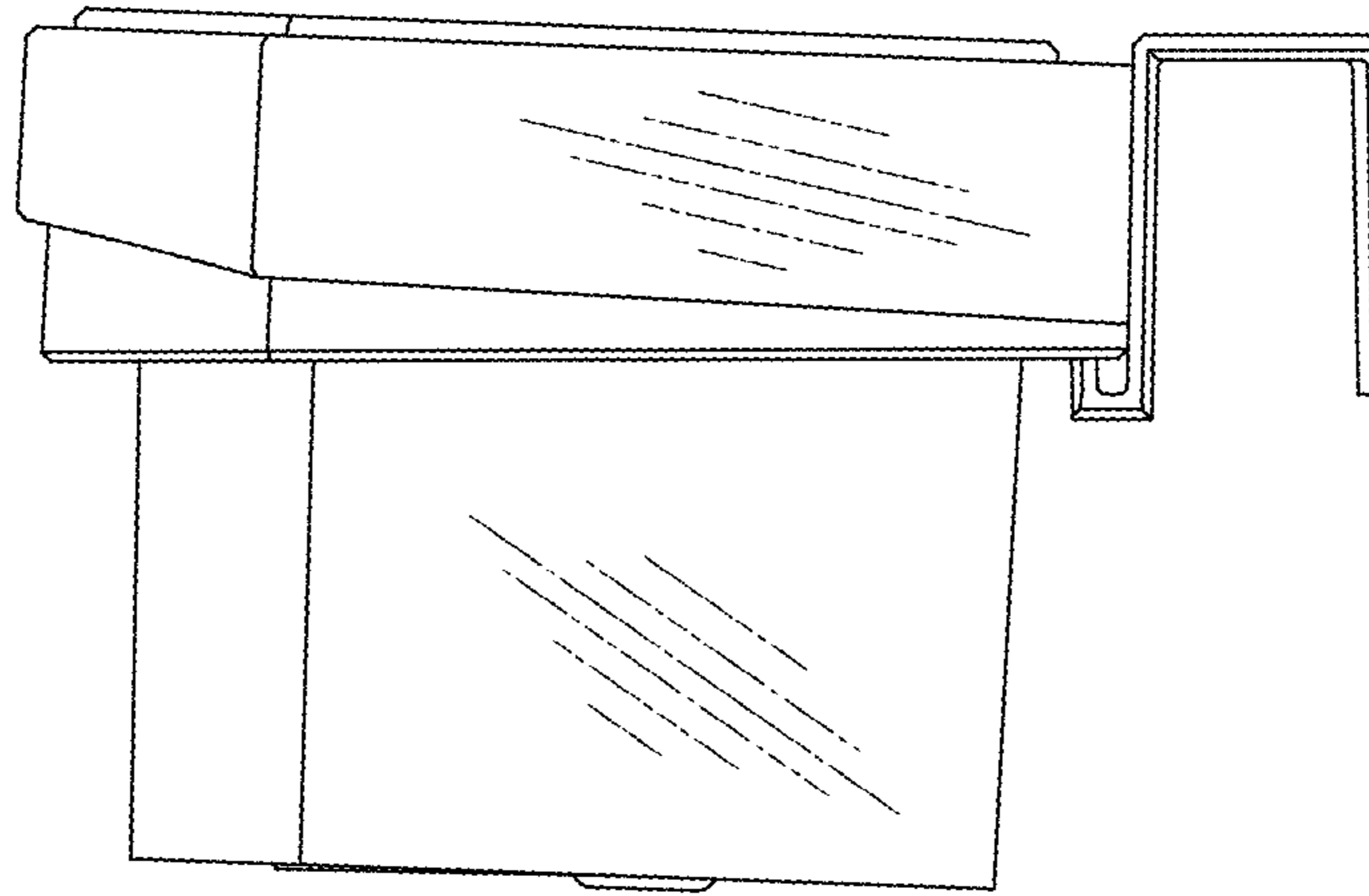


Fig. 5

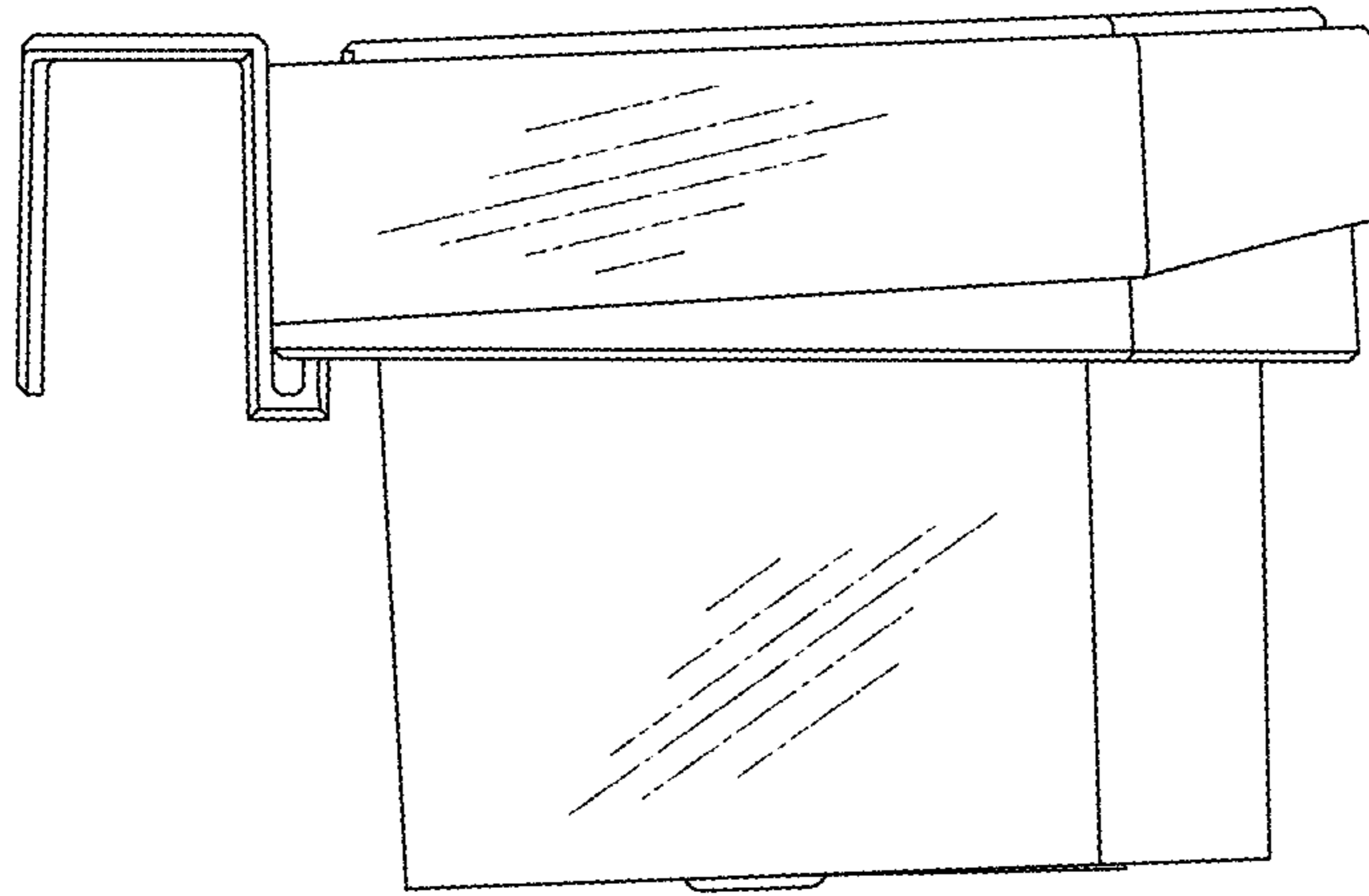


Fig. 6



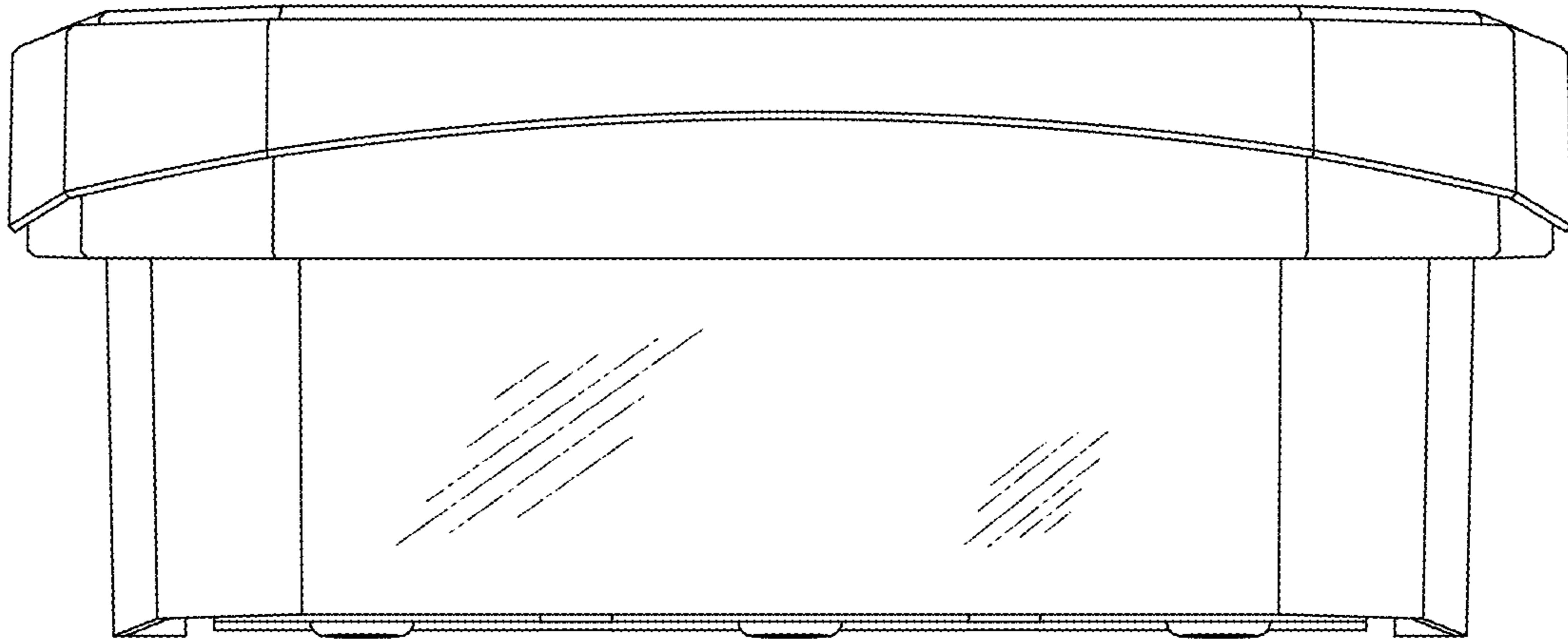


Fig. 7

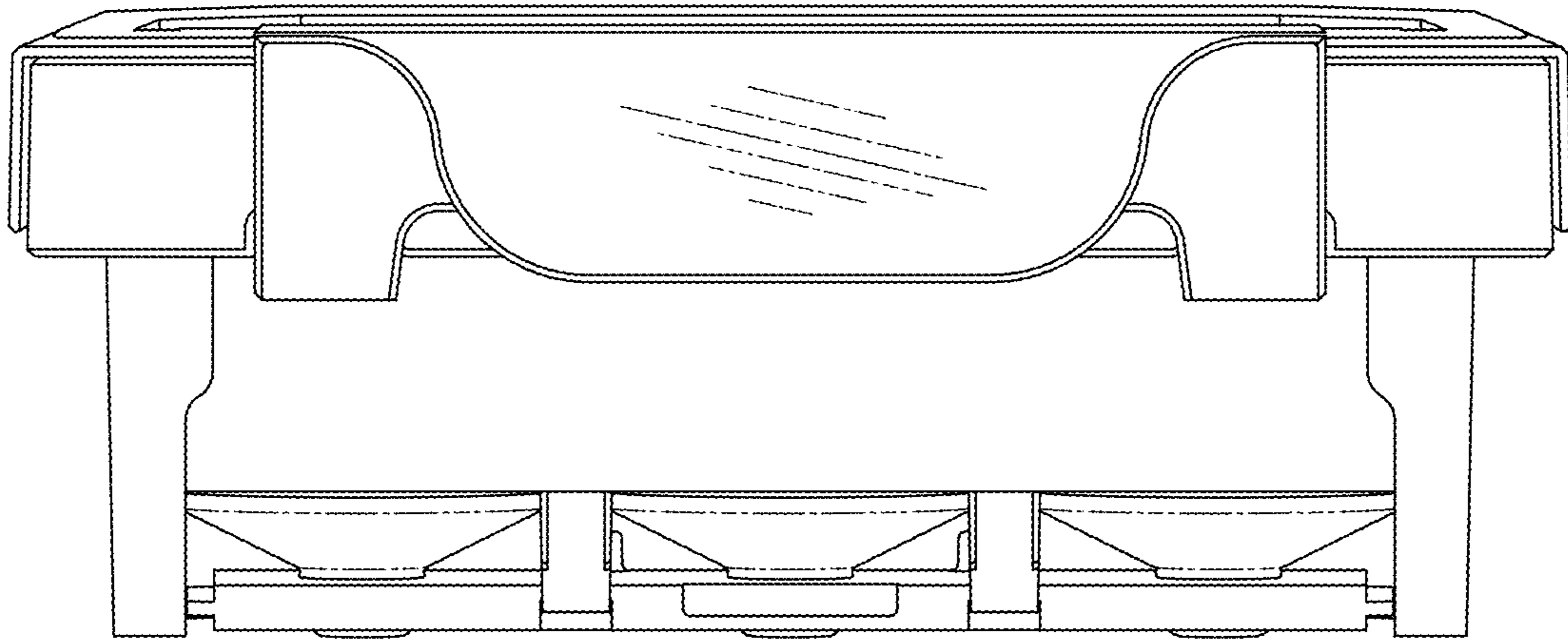


Fig. 8

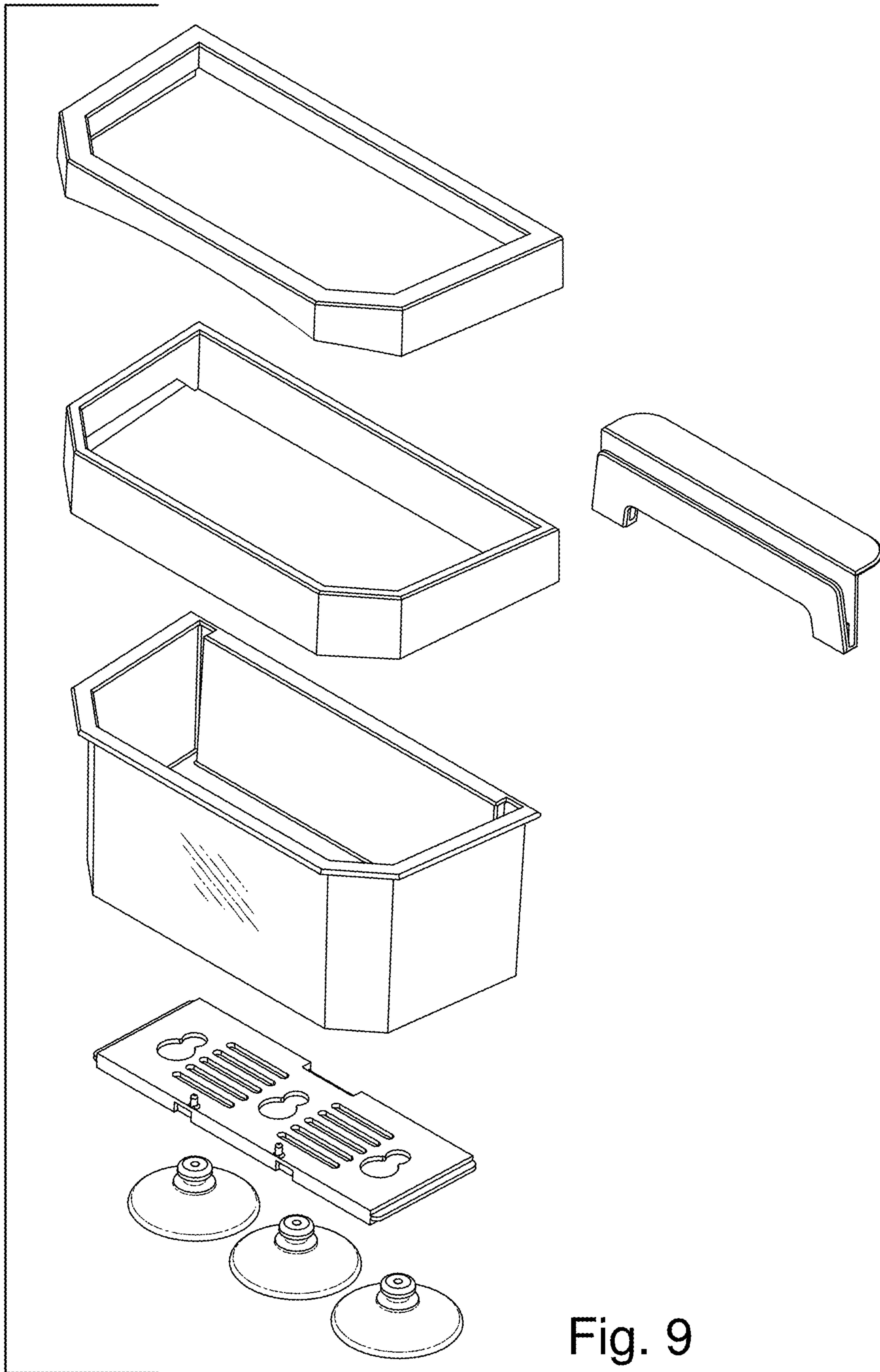


Fig. 9

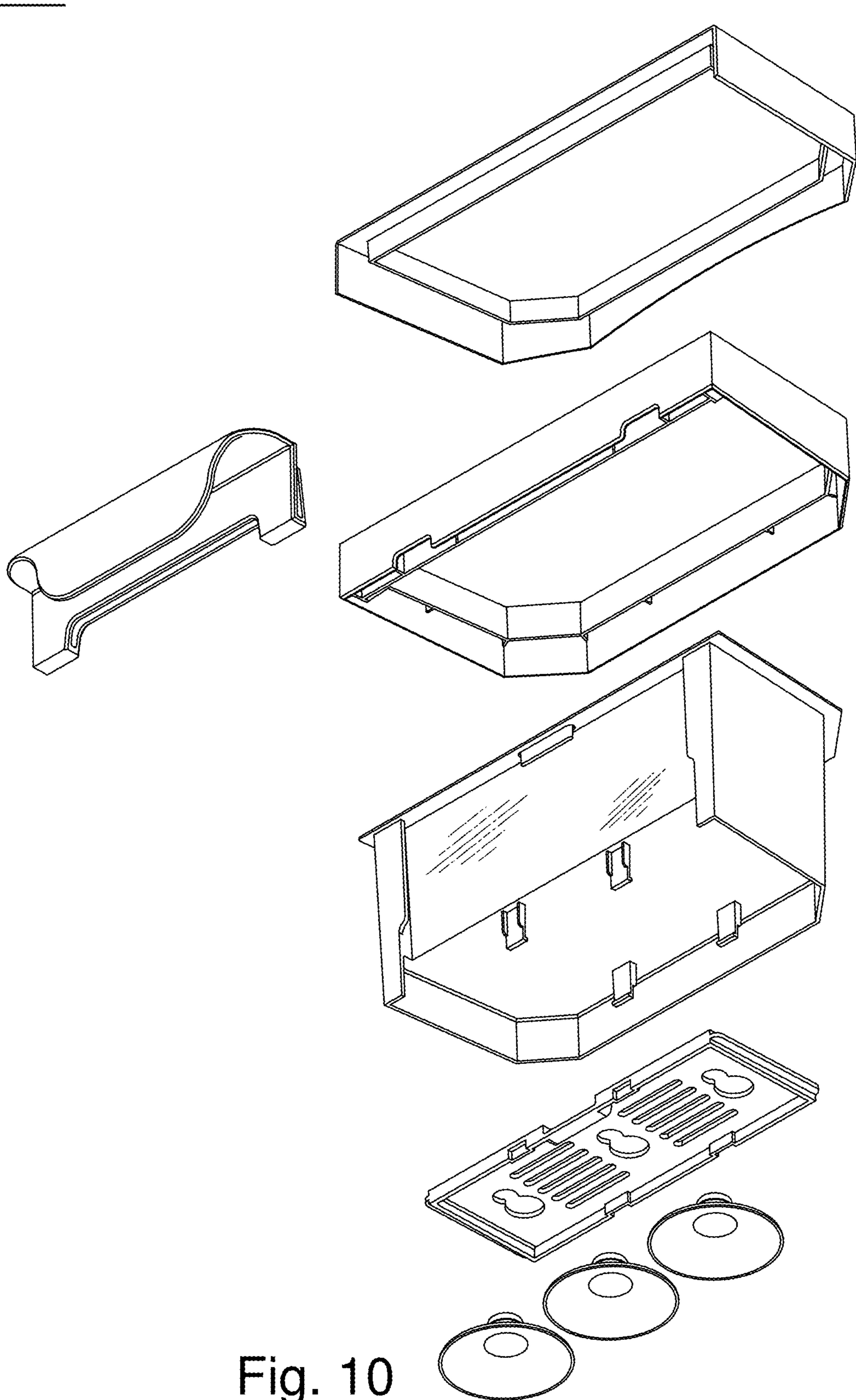


Fig. 10

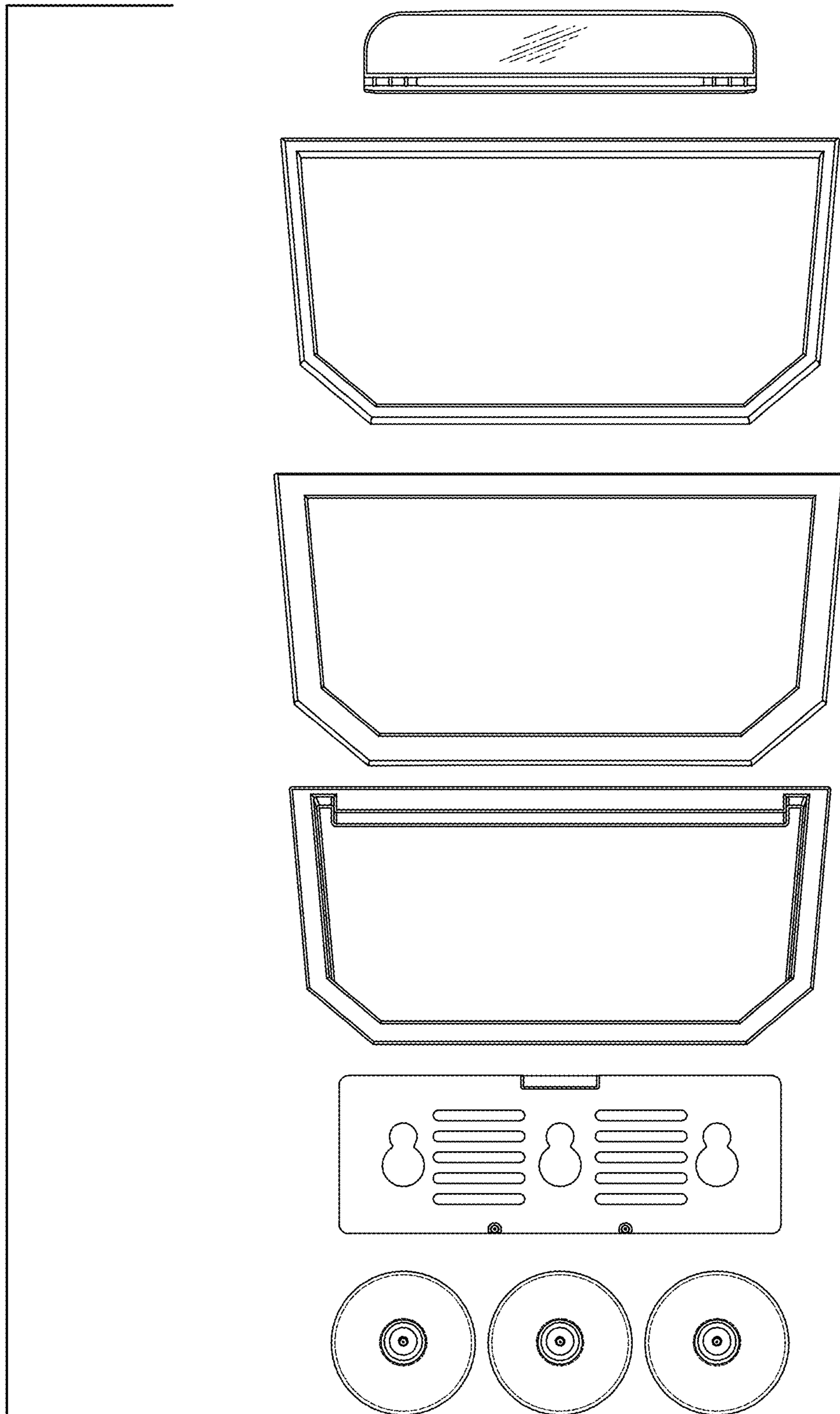


Fig. 11



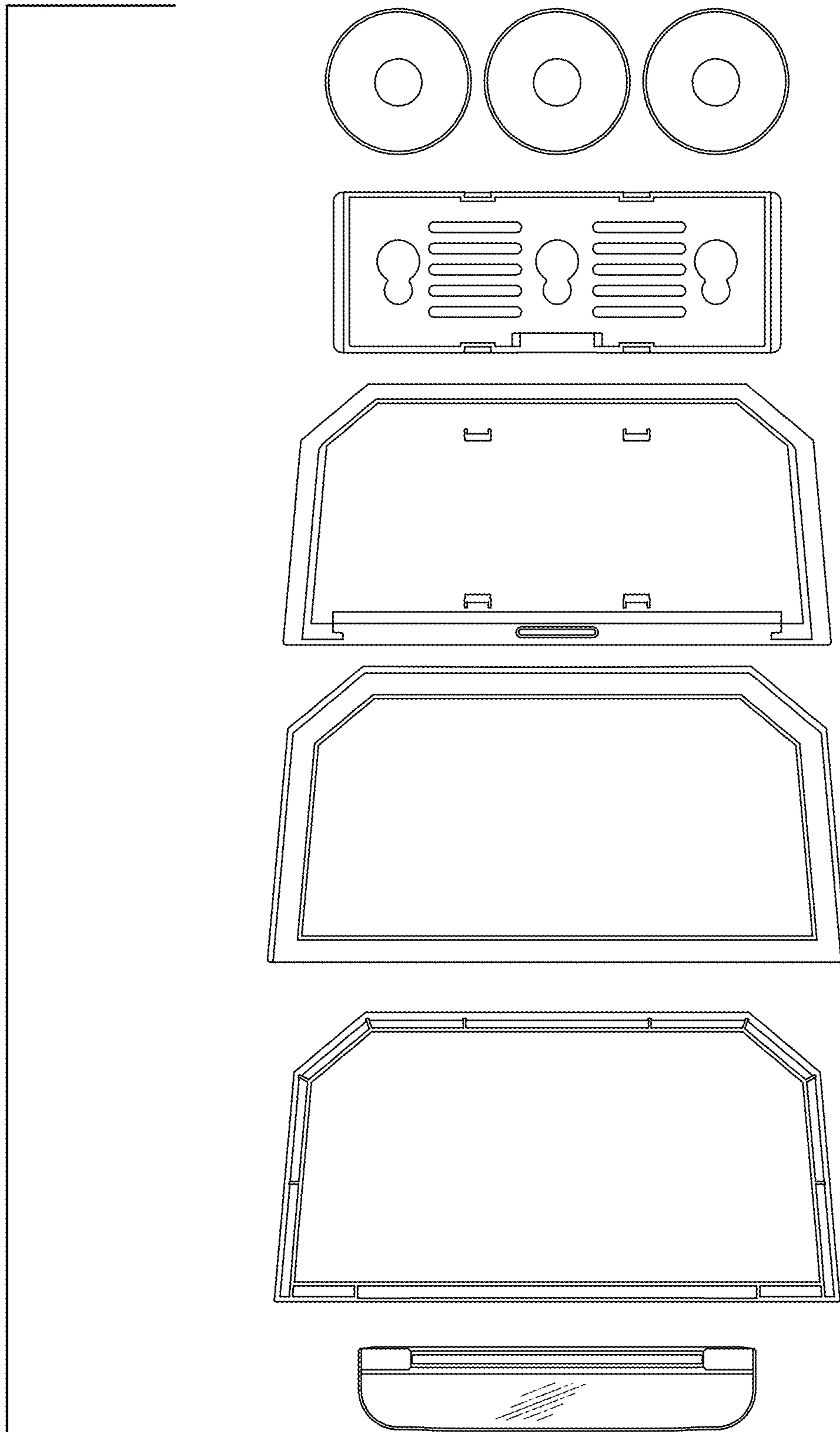


Fig. 12

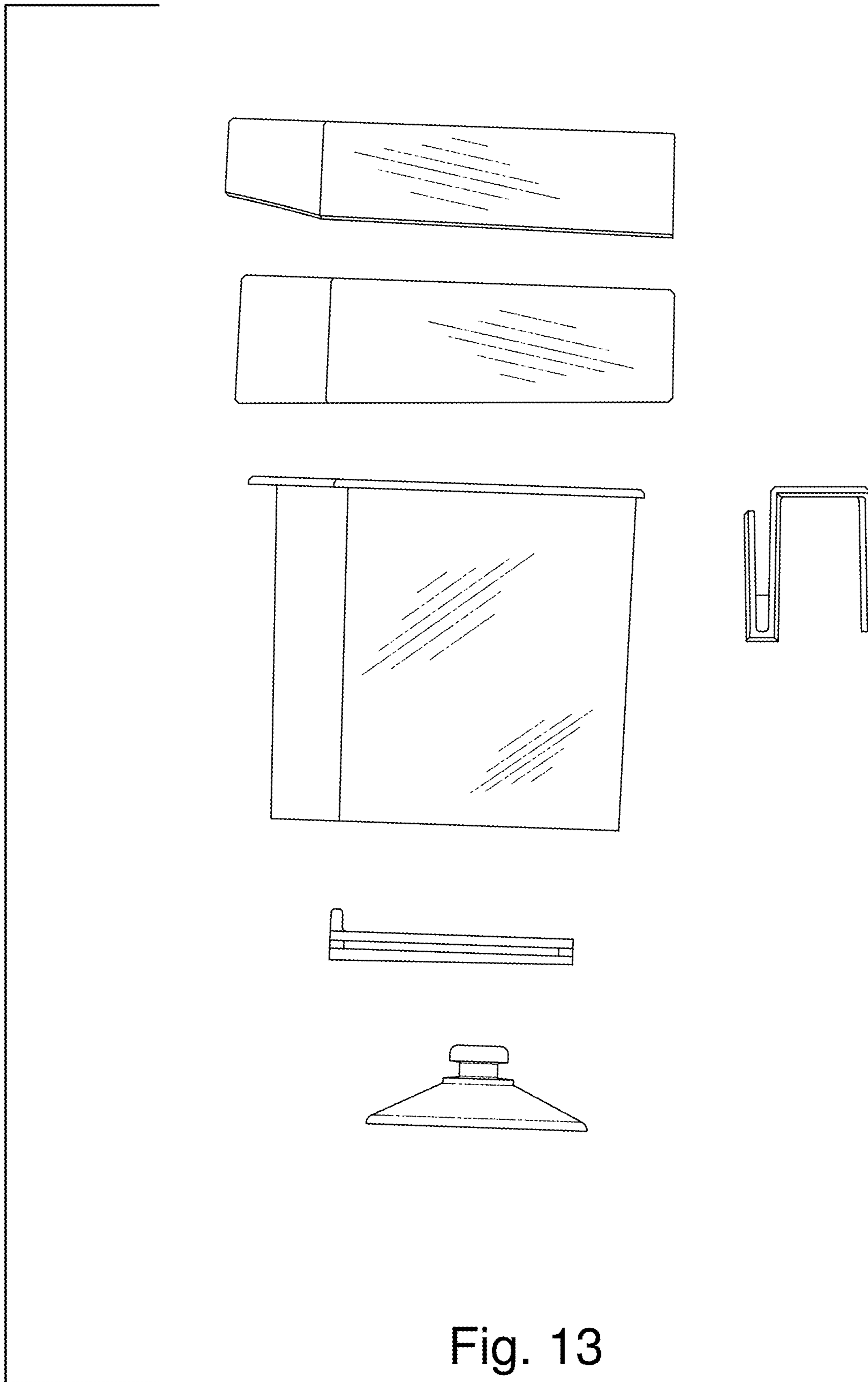


Fig. 13

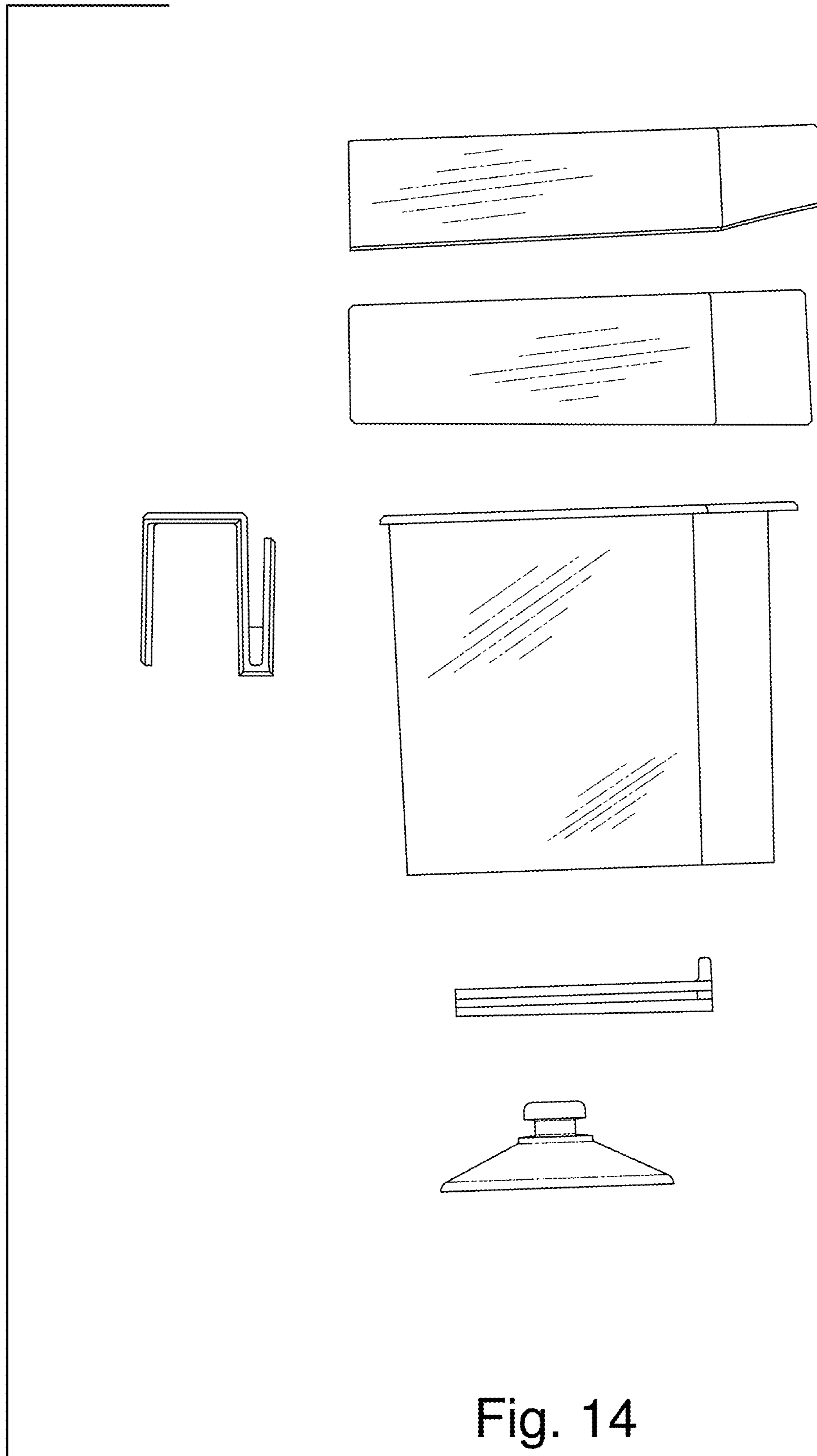


Fig. 14

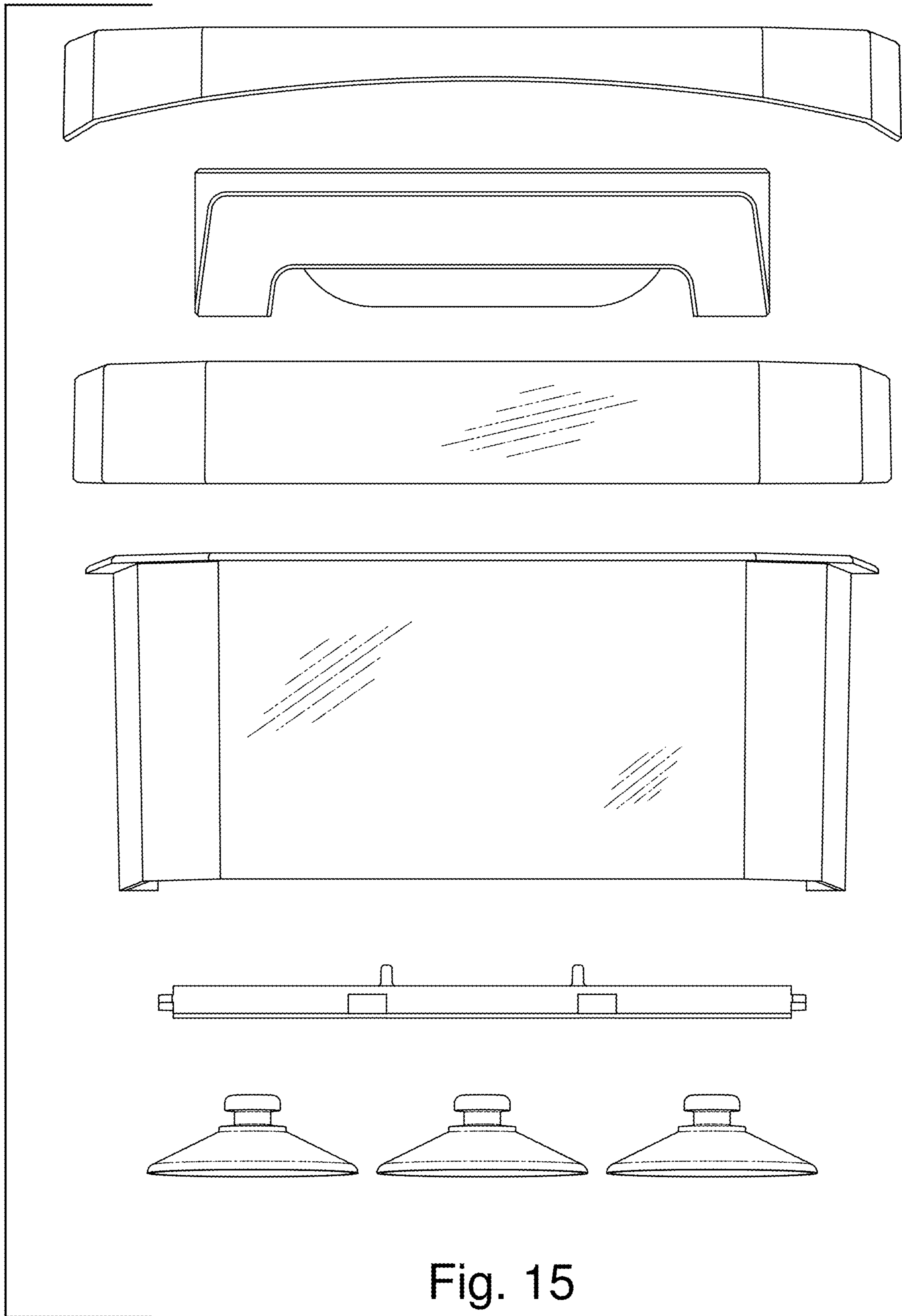


Fig. 15

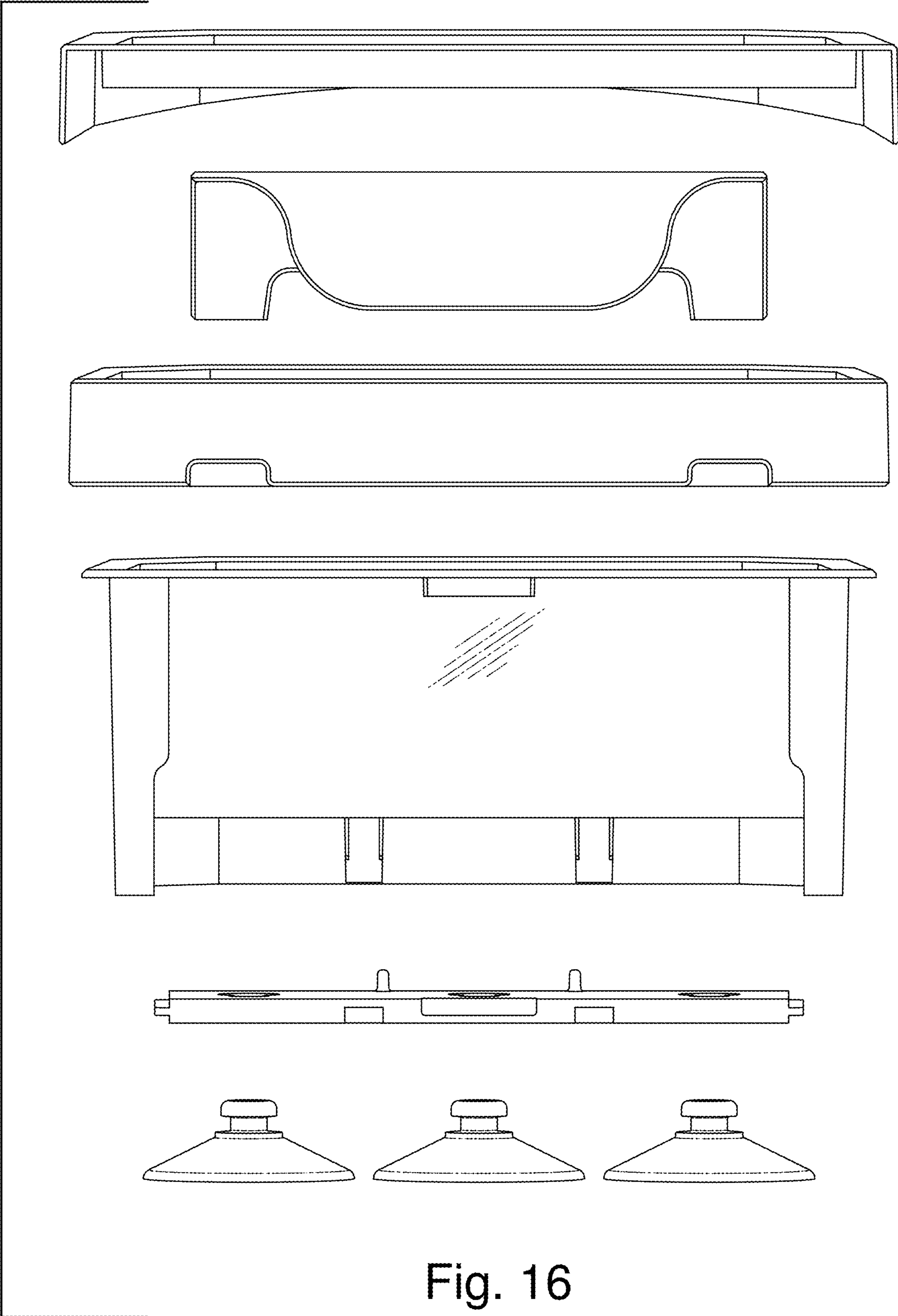


Fig. 16