



US00D884382S

(12) **United States Design Patent**  
**Davis et al.**

(10) **Patent No.:** **US D884,382 S**

(45) **Date of Patent:** **\*\* May 19, 2020**

- (54) **BED**
- (71) Applicant: **WALKER EDISON FURNITURE COMPANY LLC**, Salt Lake City, UT (US)
- (72) Inventors: **Matthew Davis**, Murray, UT (US);  
**Brad Bonham**, Draper, UT (US);  
**Richard A. Packer**, Kaysville, UT (US)
- (73) Assignee: **Walker Edison Furniture Company LLC**, Salt Lake City, UT (US)
- (\*\*) Term: **15 Years**
- (21) Appl. No.: **29/677,769**
- (22) Filed: **Jan. 23, 2019**
- (51) **LOC (12) Cl.** ..... **06-02**
- (52) **U.S. Cl.**  
USPC ..... **D6/395**
- (58) **Field of Classification Search**  
USPC ..... D6/382-384, 393-395, 718.13, 718.21,  
D6/718.25  
CPC ..... A47C 19/00; A47C 19/005; A47C 19/021;  
A47C 19/022  
See application file for complete search history.

- D390,717 S \* 2/1998 Muller ..... D6/395
- D466,716 S 12/2002 Tobin
- D564,778 S 3/2008 Juneau
- D657,972 S 4/2012 Cressman
- D767,914 S 10/2016 Burden
- D785,968 S 5/2017 Burden
- D836,362 S 12/2018 Davis

\* cited by examiner

*Primary Examiner* — Cathron C Brooks

(74) *Attorney, Agent, or Firm* — Workman Nydegger

(56) **References Cited**

**U.S. PATENT DOCUMENTS**

- D343,071 S \* 1/1994 Ferguson ..... D6/382
- D366,779 S \* 2/1996 Muller ..... D6/395

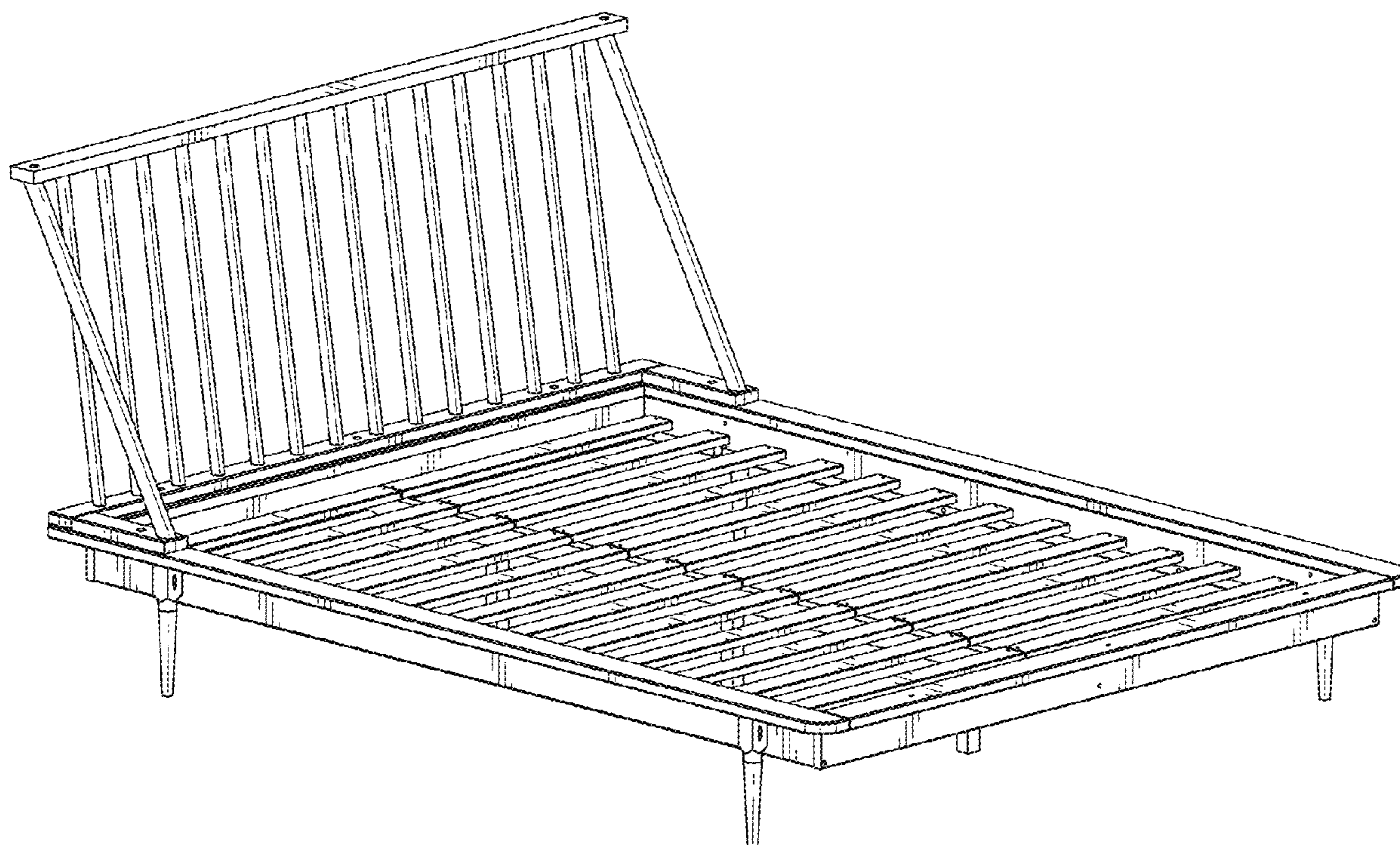
(57) **CLAIM**

The ornamental design for a bed, as shown and described.

**DESCRIPTION**

FIG. 1 is a front perspective view of a bed showing the new design;  
 FIG. 2 is a front elevation view thereof;  
 FIG. 3 is a back elevation view thereof;  
 FIG. 4 is a top plan view thereof;  
 FIG. 5 is a bottom plan view thereof;  
 FIG. 6 is a right elevation view thereof; and,  
 FIG. 7 is a left elevation view thereof.

**1 Claim, 4 Drawing Sheets**



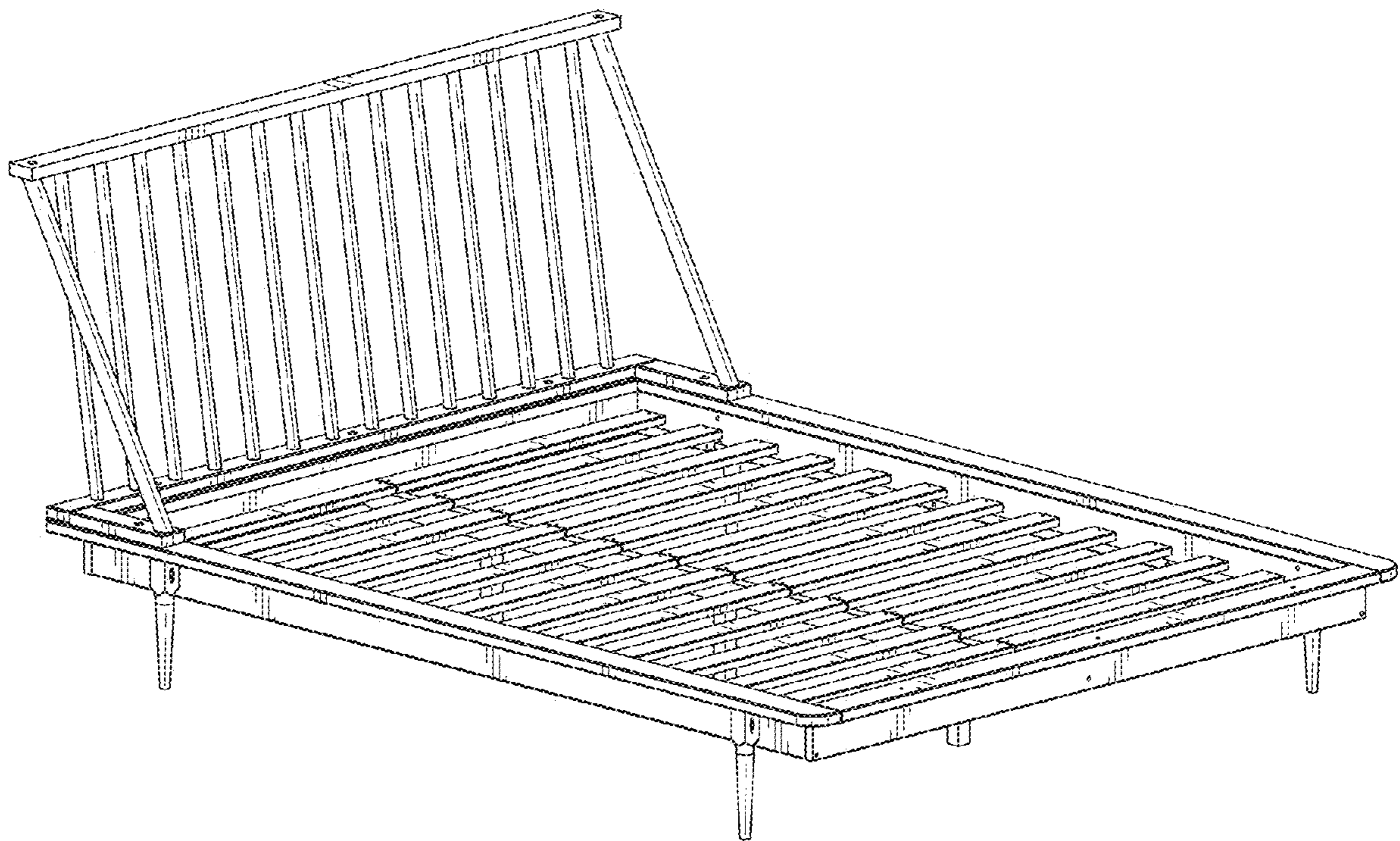


FIG. 1

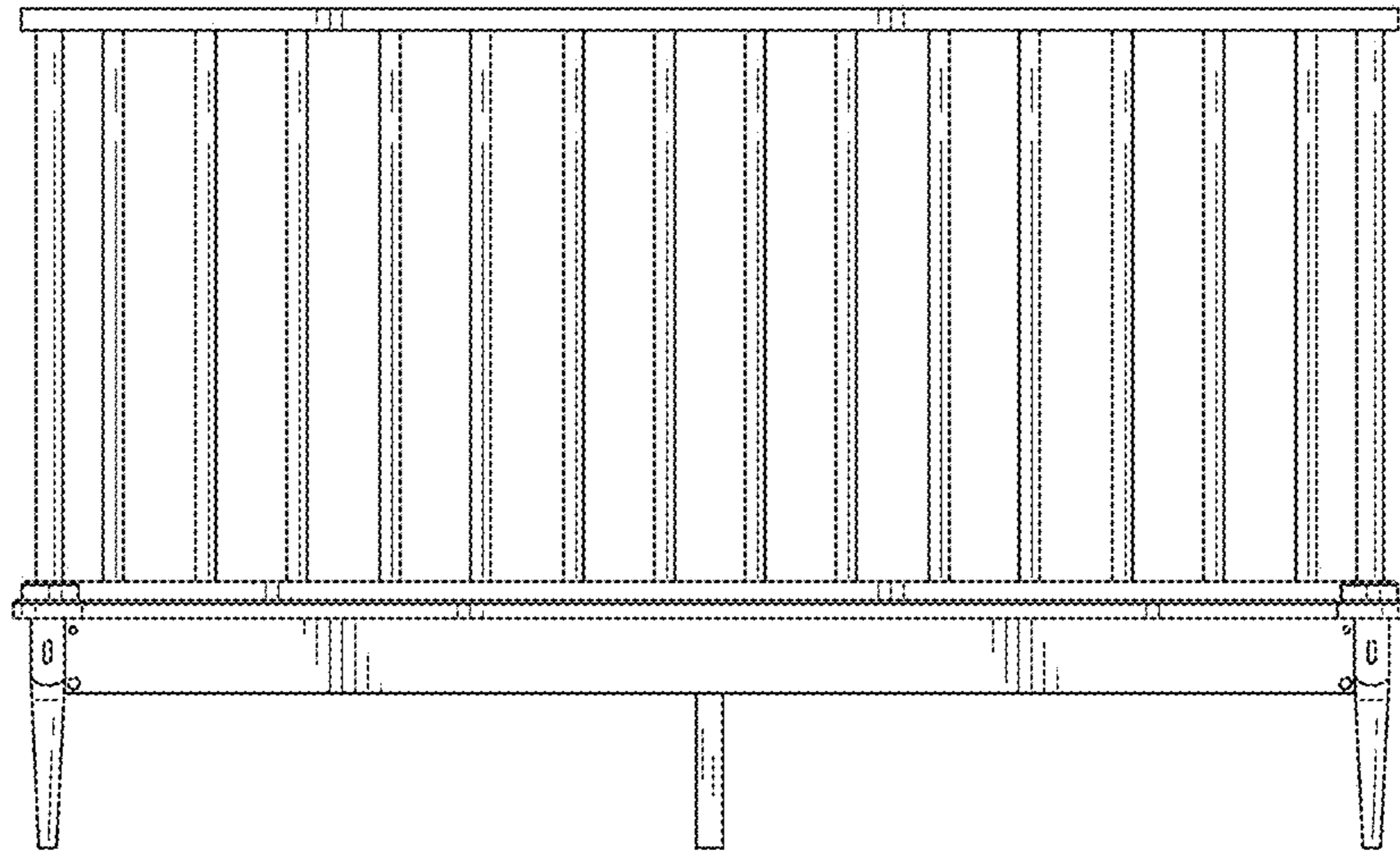


FIG. 2

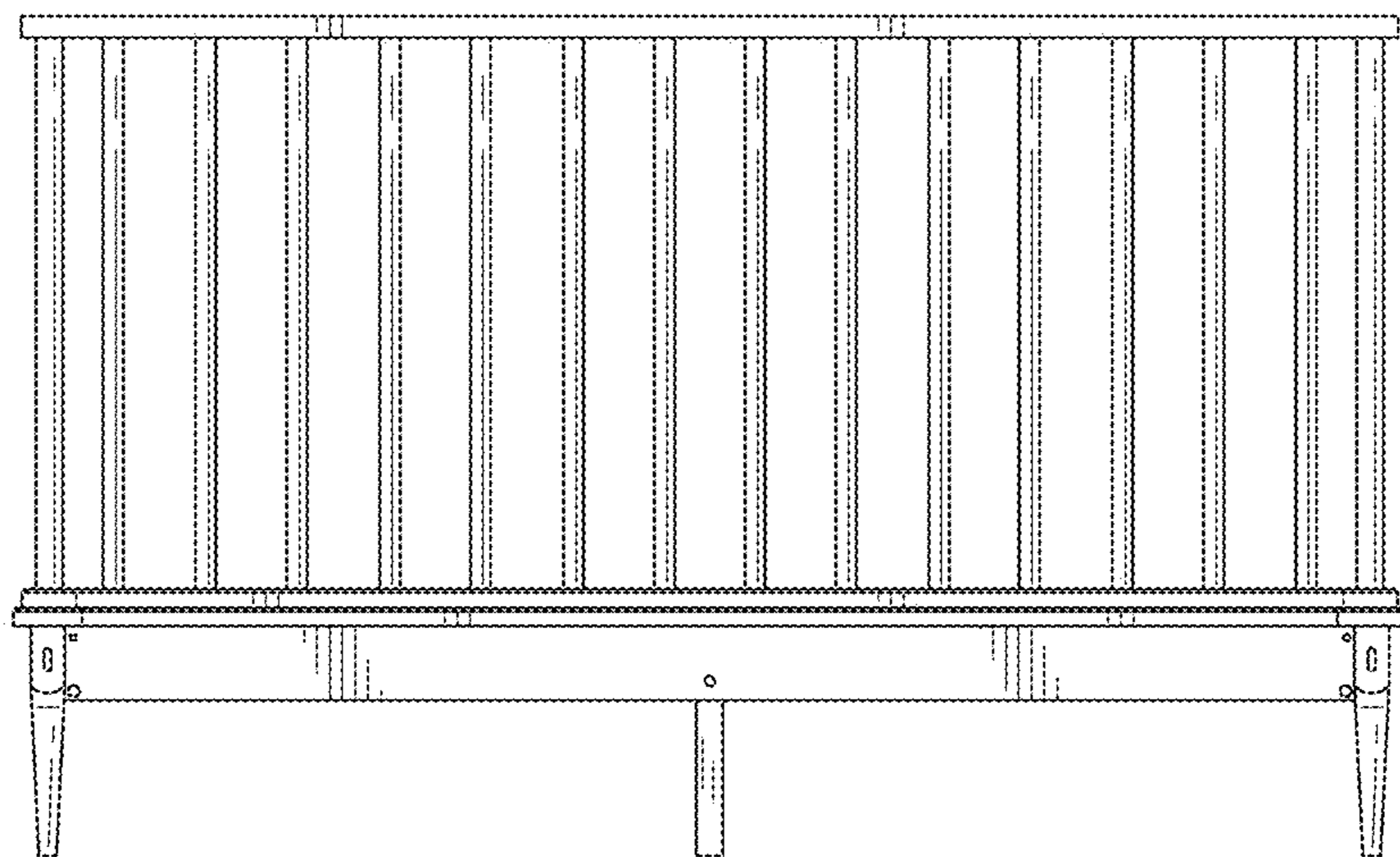


FIG. 3

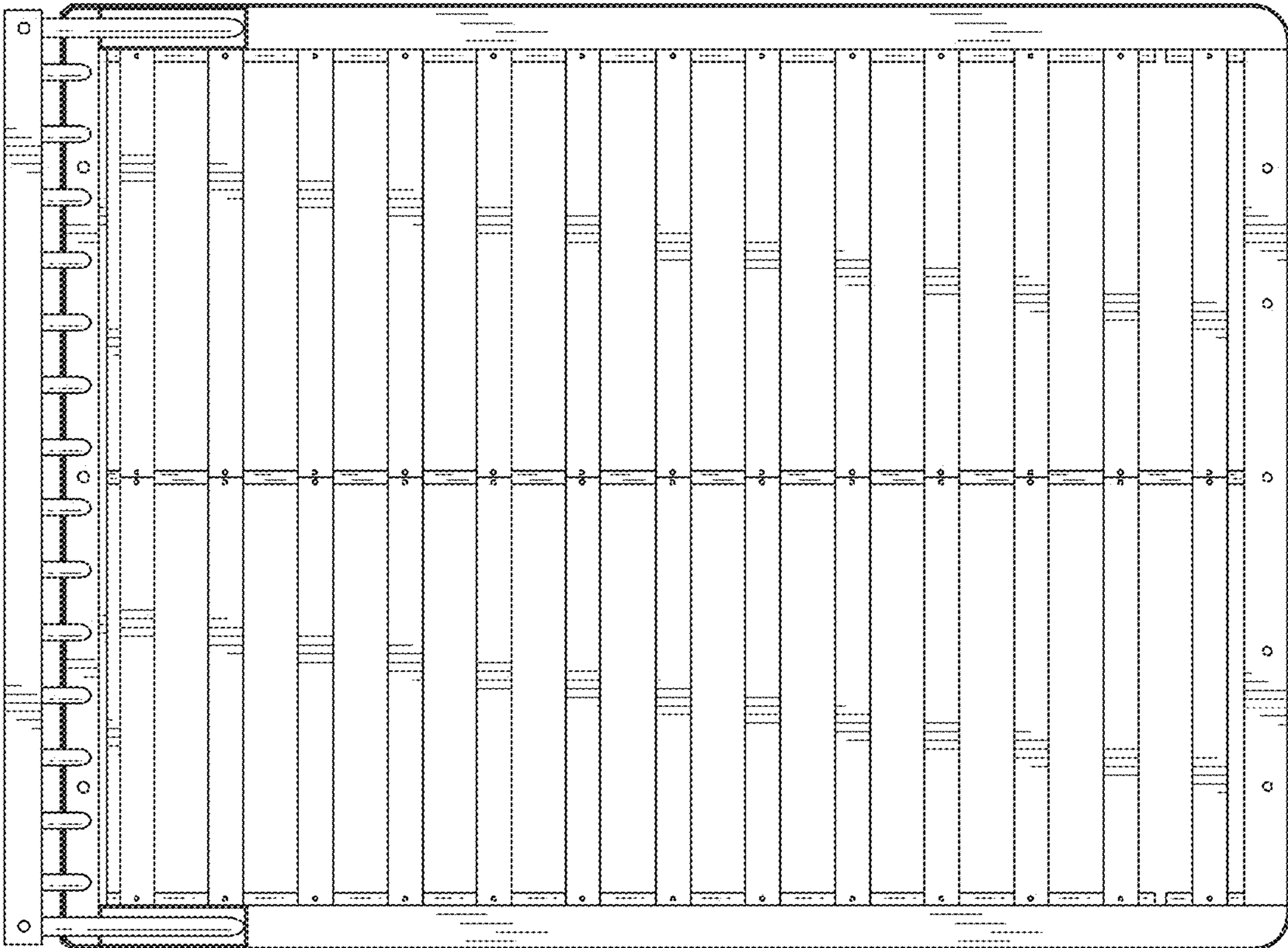


FIG. 4

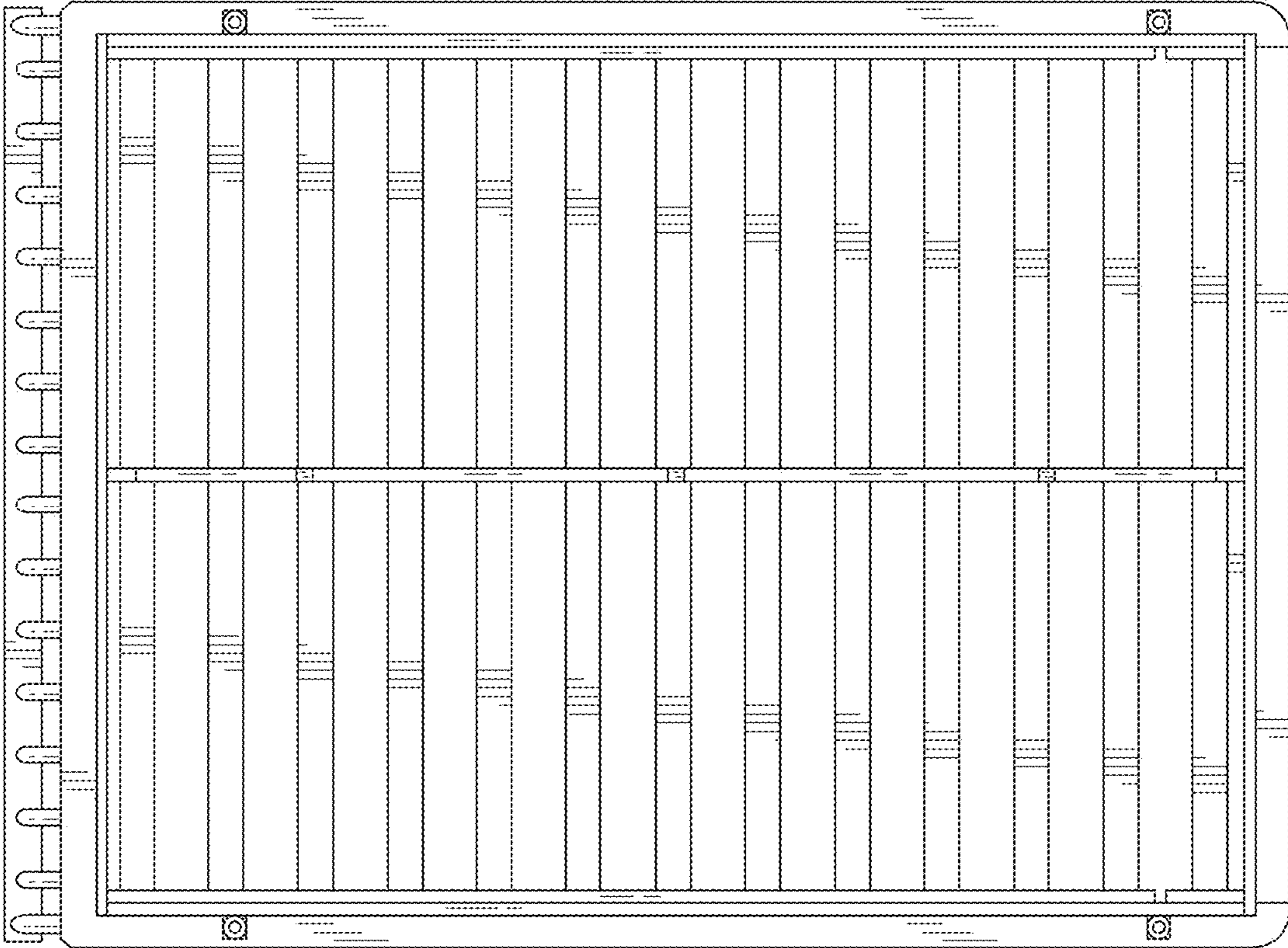


FIG. 5

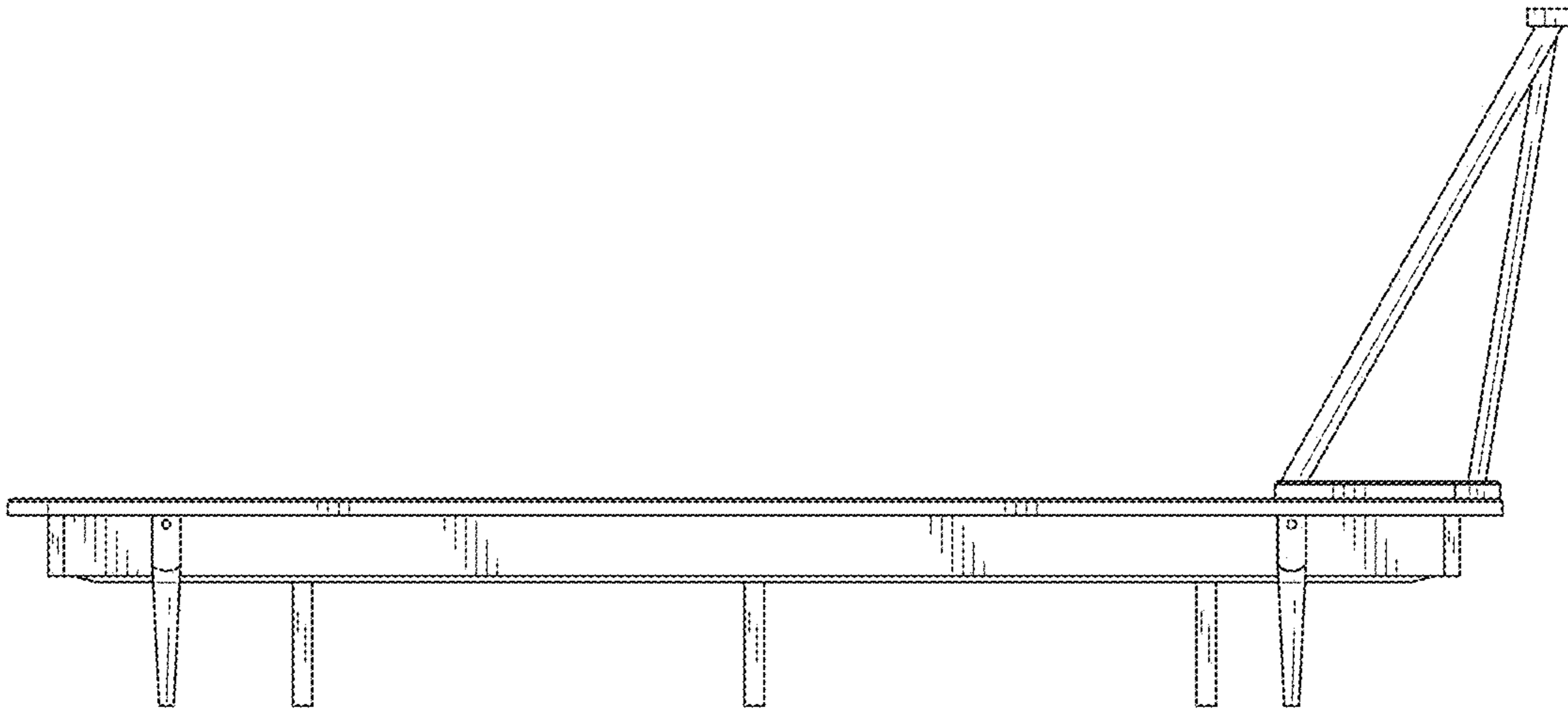


FIG. 6

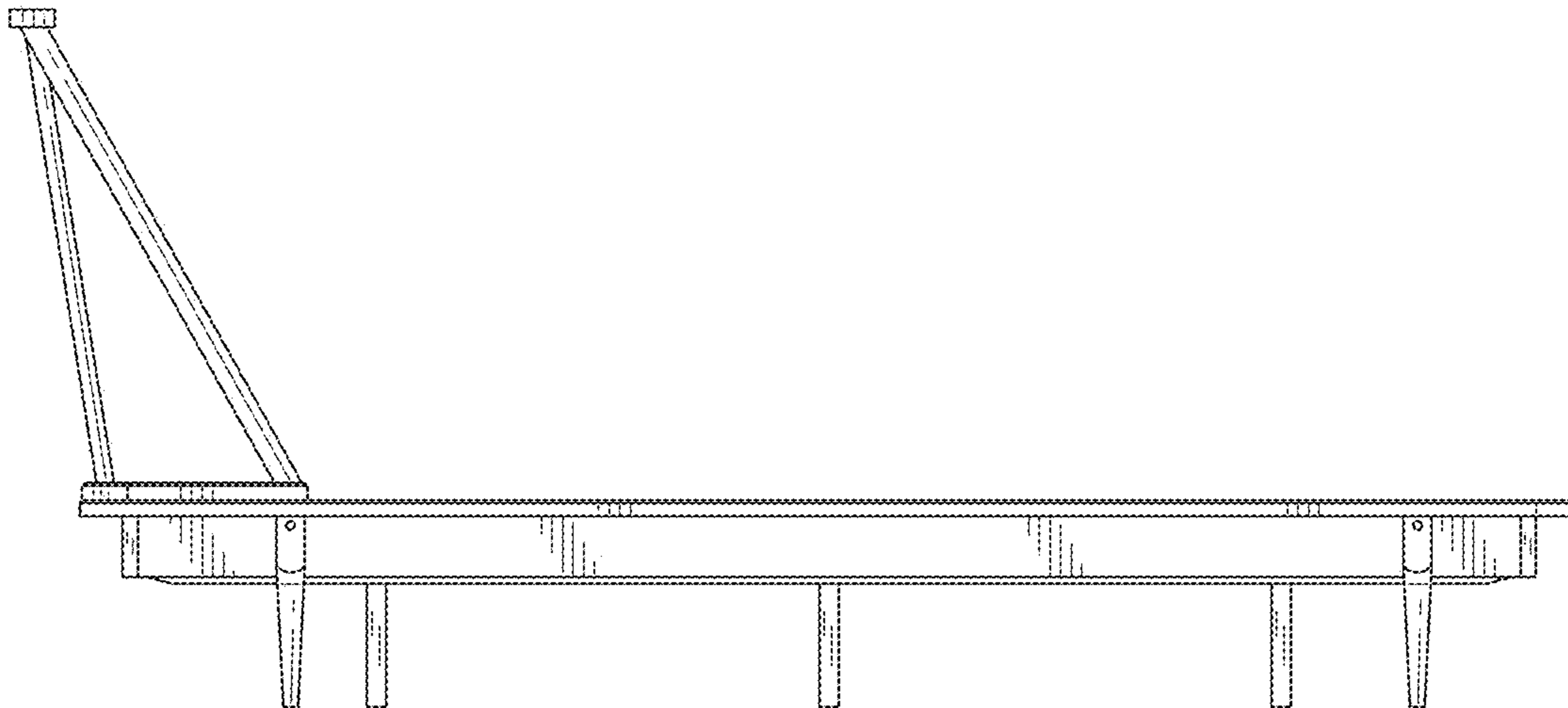


FIG. 7