



US00D884377S

(12) **United States Design Patent** (10) **Patent No.:** **US D884,377 S**  
**Kinoshita et al.** (45) **Date of Patent:** **\*\* May 19, 2020**

(54) **CHAIR**

(71) Applicant: **Kokuyo Co., Ltd.**, Osaka-shi (JP)

(72) Inventors: **Yojiro Kinoshita**, Osaka (JP); **Kazuo Oku**, Osaka (JP); **Takayoshi Kanou**, Osaka (JP); **Kenta Asano**, Osaka (JP); **Hideshi Hamaguchi**, Portland, OR (US); **Ippei Iwahara**, Portland, OR (US)

(73) Assignee: **Kokuyo Co., Ltd.**, Osaka (JP)

(\*\*) Term: **15 Years**

(21) Appl. No.: **29/703,786**

(22) Filed: **Aug. 29, 2019**

**Related U.S. Application Data**

(62) Division of application No. 29/623,709, filed on Oct. 26, 2017.

**Foreign Application Priority Data**

Jun. 15, 2017 (JP) ..... 2017-012885  
Jun. 15, 2017 (JP) ..... 2017-012892

(51) **LOC (12) Cl.** ..... **06-01**

(52) **U.S. Cl.**  
USPC ..... **D6/366**

(58) **Field of Classification Search**  
USPC ..... D6/334-336, 364, 365, 366, 374, 375,  
D6/379, 380, 716, 716.1, 716.2, 716.4,  
D6/708.23, 708.24  
CPC ..... A47C 3/24; A47C 7/004; A47C 7/282;  
A47C 7/40; A47C 7/46; A47C 7/462;  
A47C 7/24; A47C 7/54  
See application file for complete search history.

(56) **References Cited**

U.S. PATENT DOCUMENTS

D233,101 S *	10/1974	Katoda .....	D6/380
D236,173 S *	8/1975	Ruf .....	D6/366
D273,729 S *	5/1984	Pelly .....	D6/366
D283,762 S *	5/1986	Caruso .....	D6/335
D308,604 S	6/1990	Verkerke	
D318,184 S	7/1991	Muller-Deisig et al.	
D397,258 S *	8/1998	Heyder .....	D6/366
D421,187 S	2/2000	Kaiser	
D433,833 S	11/2000	Schultz et al.	
D670,927 S *	11/2012	Hurford .....	D6/366
D683,151 S *	5/2013	Smith .....	D6/366
D688,483 S *	8/2013	Aratani .....	D6/366
D767,928 S *	10/2016	Silvonen .....	D6/366

(Continued)

OTHER PUBLICATIONS

Office action of a Design U.S. Appl. No. 29/623,709.

*Primary Examiner* — Mimoso De

(74) *Attorney, Agent, or Firm* — The Webb Law Firm

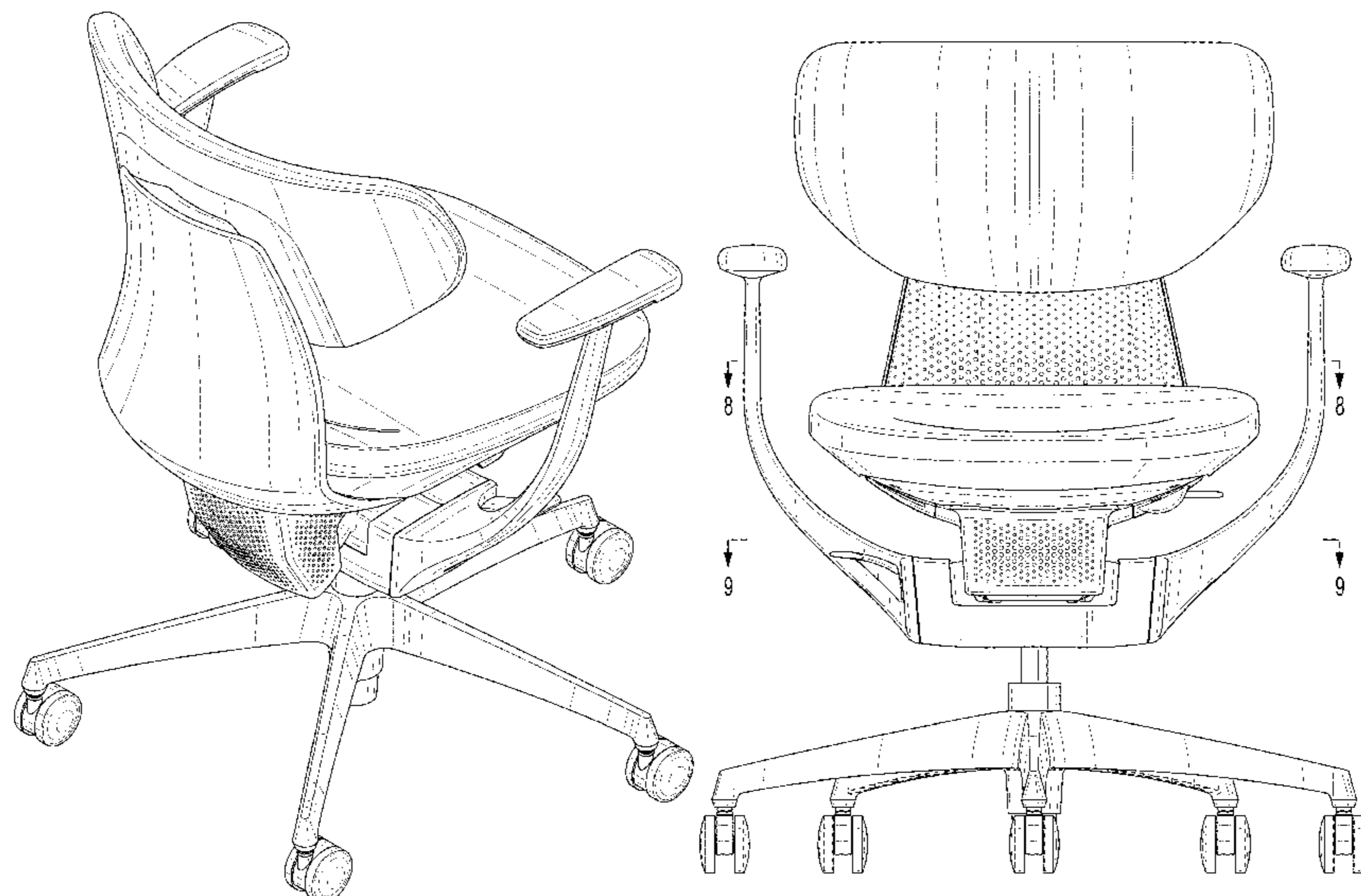
(57) **CLAIM**

The ornamental design for a chair, as shown and described.

**DESCRIPTION**

FIG. 1 is an upper perspective view of a chair, showing our new design;  
FIG. 2 is a front elevation view thereof;  
FIG. 3 is a rear elevation view thereof;  
FIG. 4 is a top view thereof;  
FIG. 5 is a bottom view thereof;  
FIG. 6 is a right side elevation view thereof;  
FIG. 7 is a left side elevation view thereof;  
FIG. 8 is an enlarged end view thereof taken along lines 8-8 shown in FIGS. 2 and 6; and,  
FIG. 9 is an enlarged end view thereof taken along lines 9-9 shown in FIG. 2.  
The broken lines in the drawings illustrate portions of the chair which form no part of the claimed design.

**1 Claim, 9 Drawing Sheets**



(56)

**References Cited**

U.S. PATENT DOCUMENTS

D770,789 S	*	11/2016	Chen .....	D6/366
D781,606 S	*	3/2017	Ngo .....	D6/366
D828,050 S	*	9/2018	Citterio .....	D6/375
D852,527 S	*	7/2019	Heydari .....	D6/366

\* cited by examiner



FIG. 1

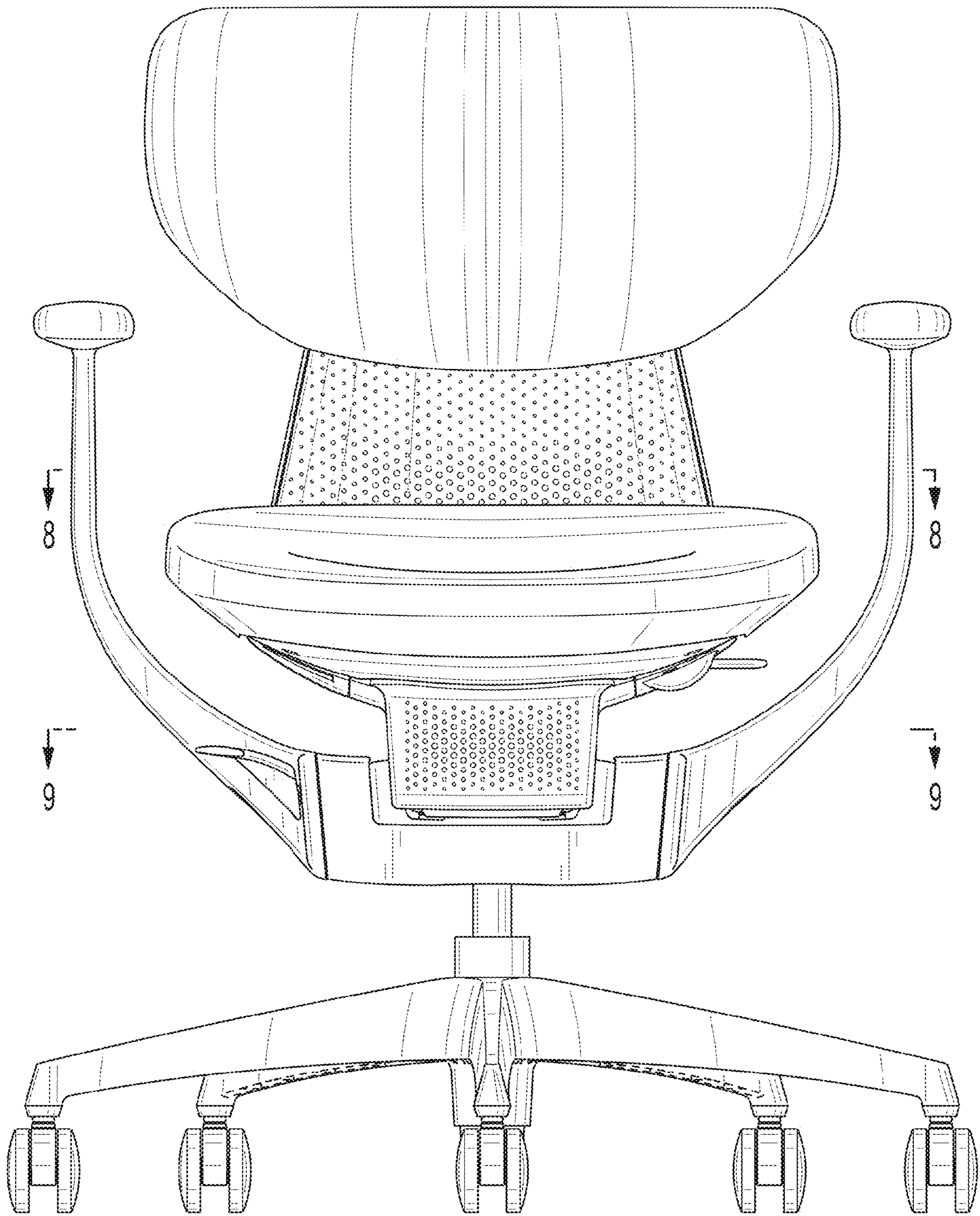


FIG. 2

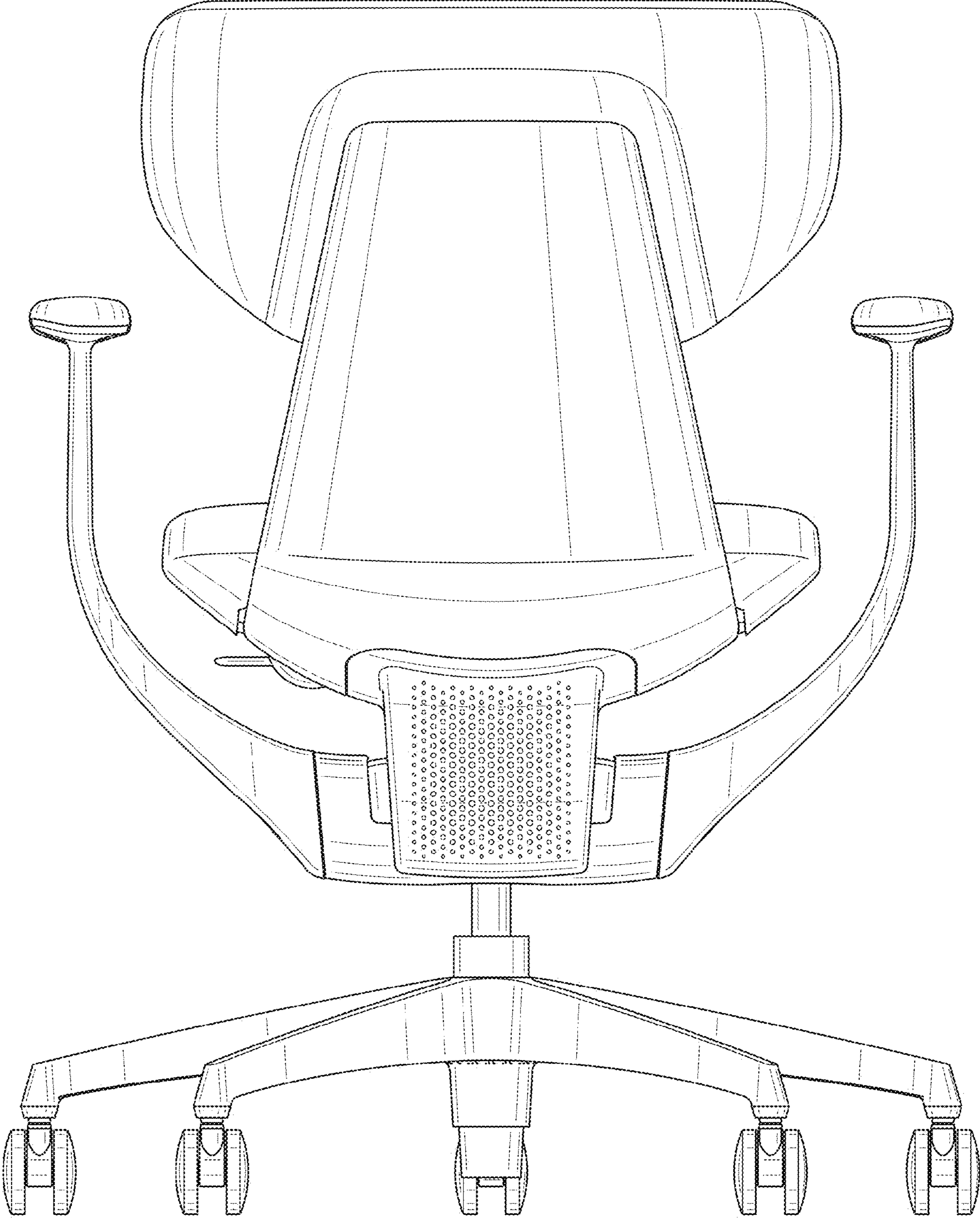


FIG. 3

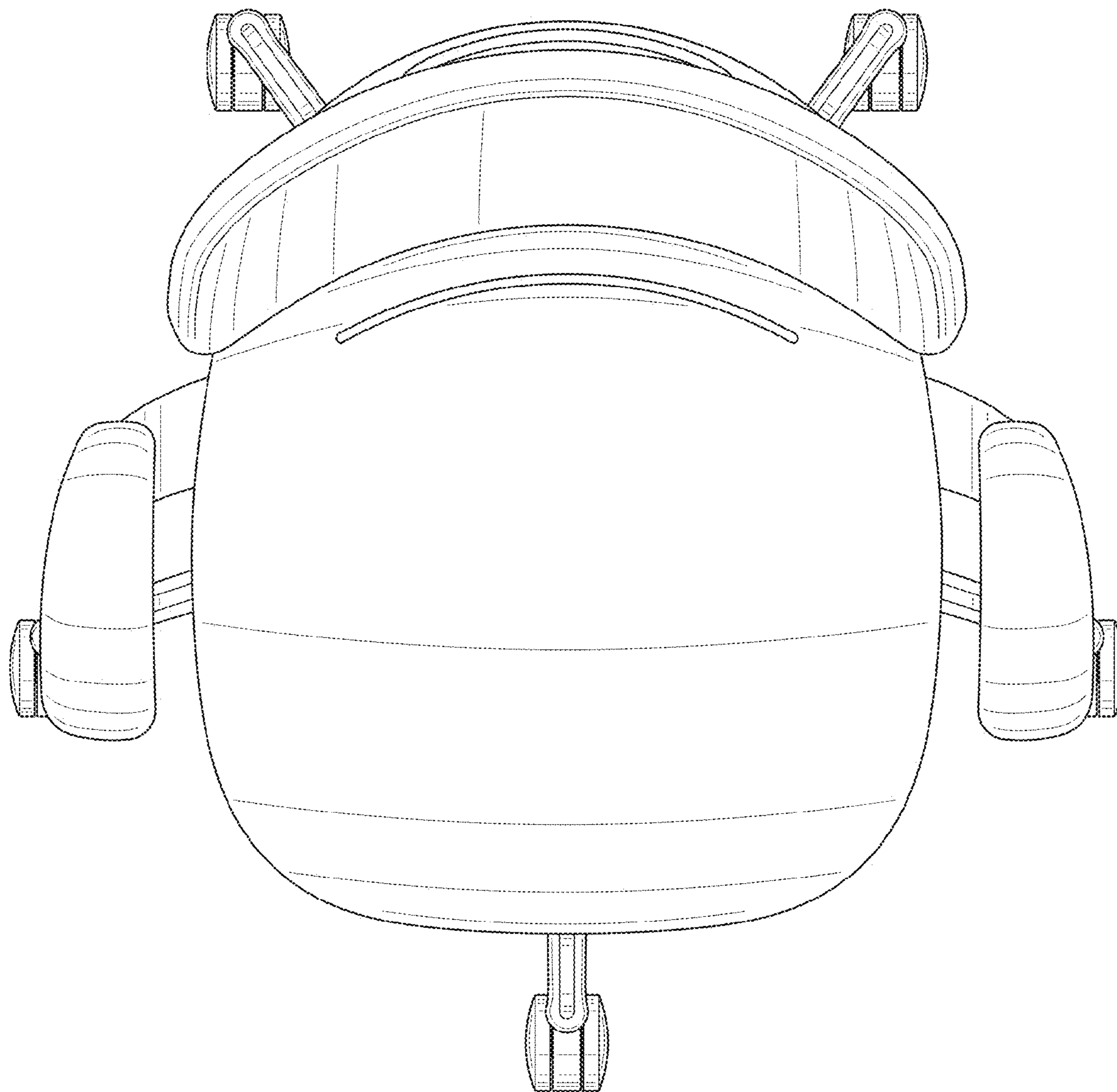


FIG. 4

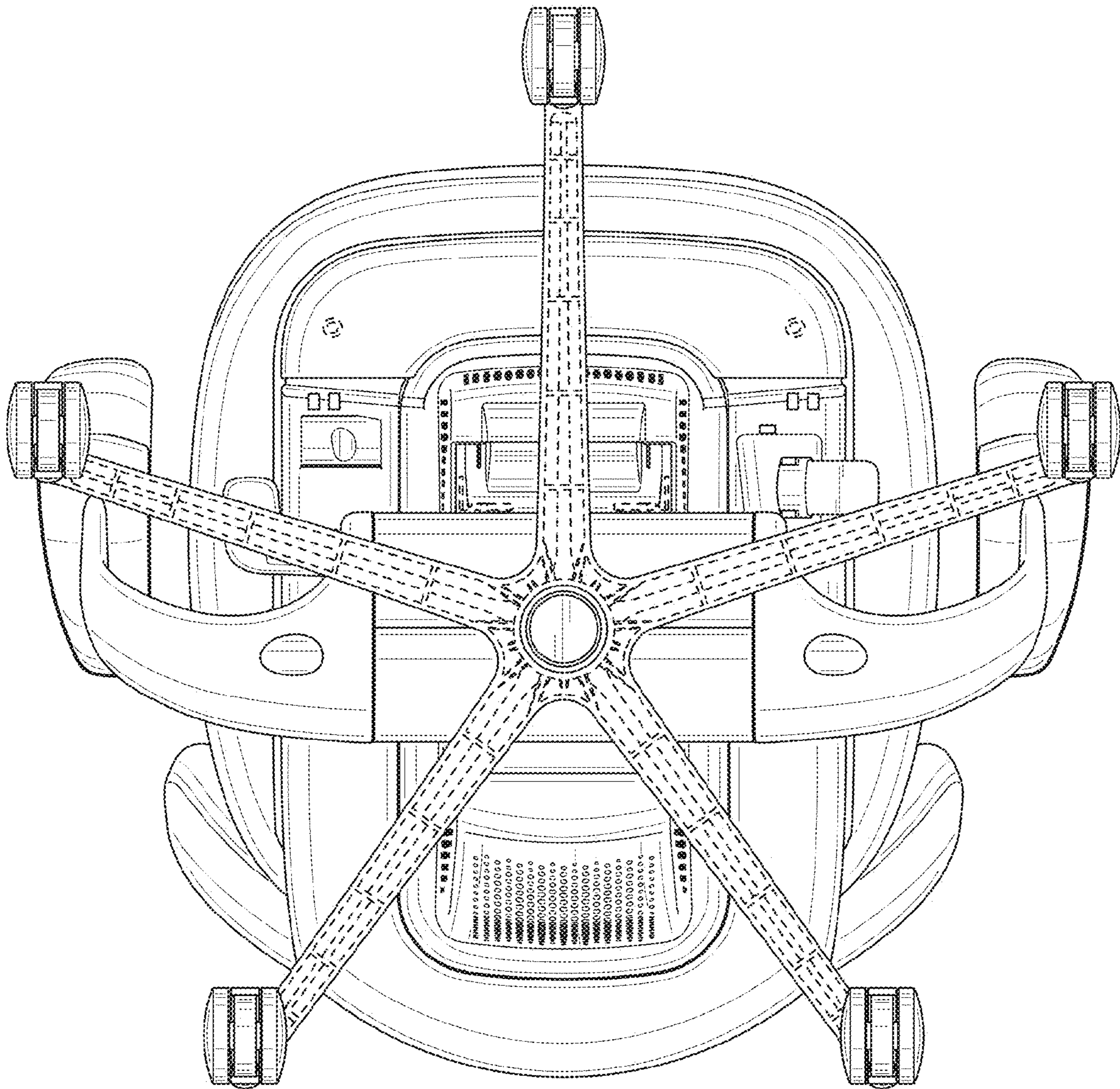


FIG. 5

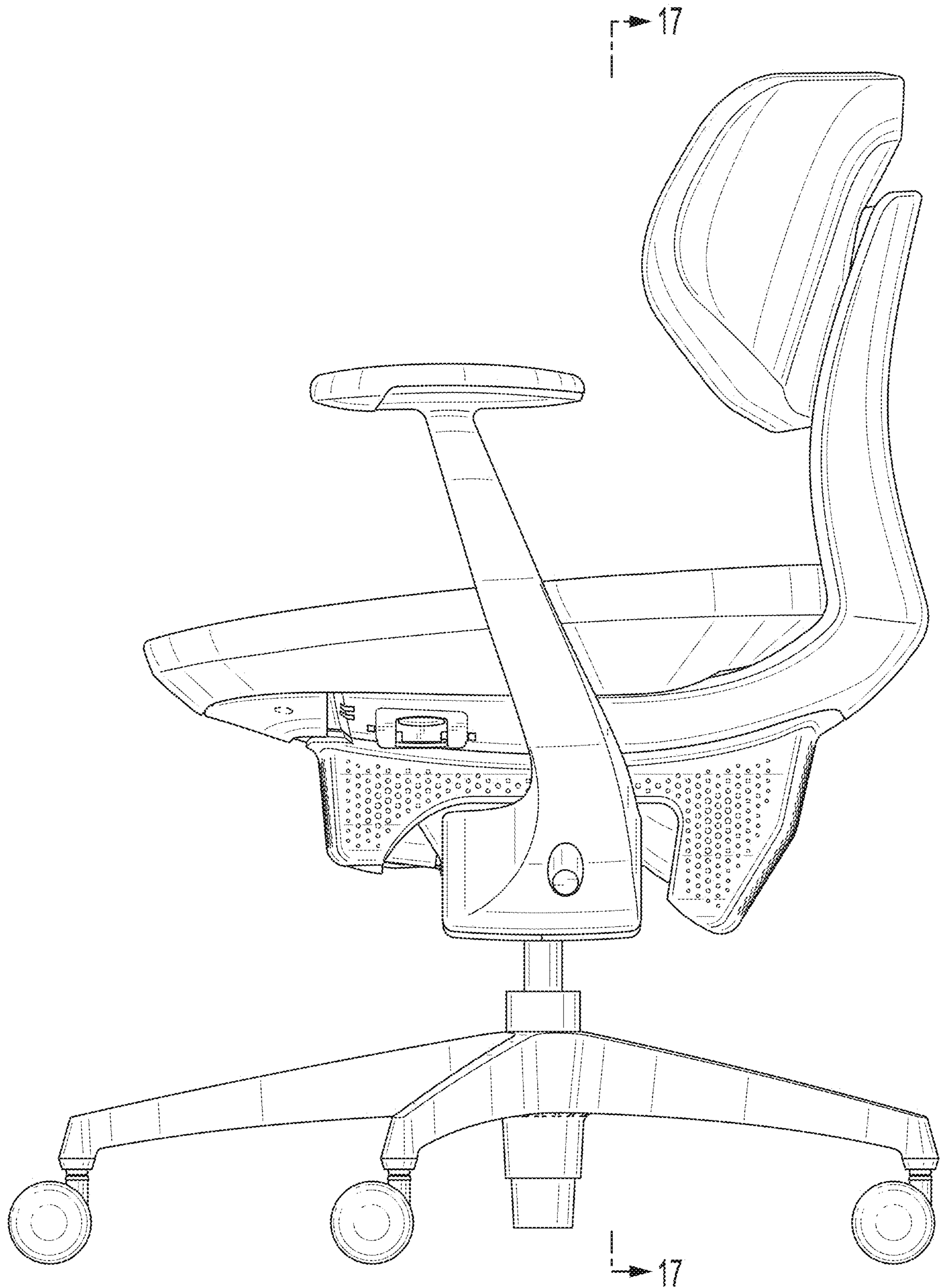


FIG. 6



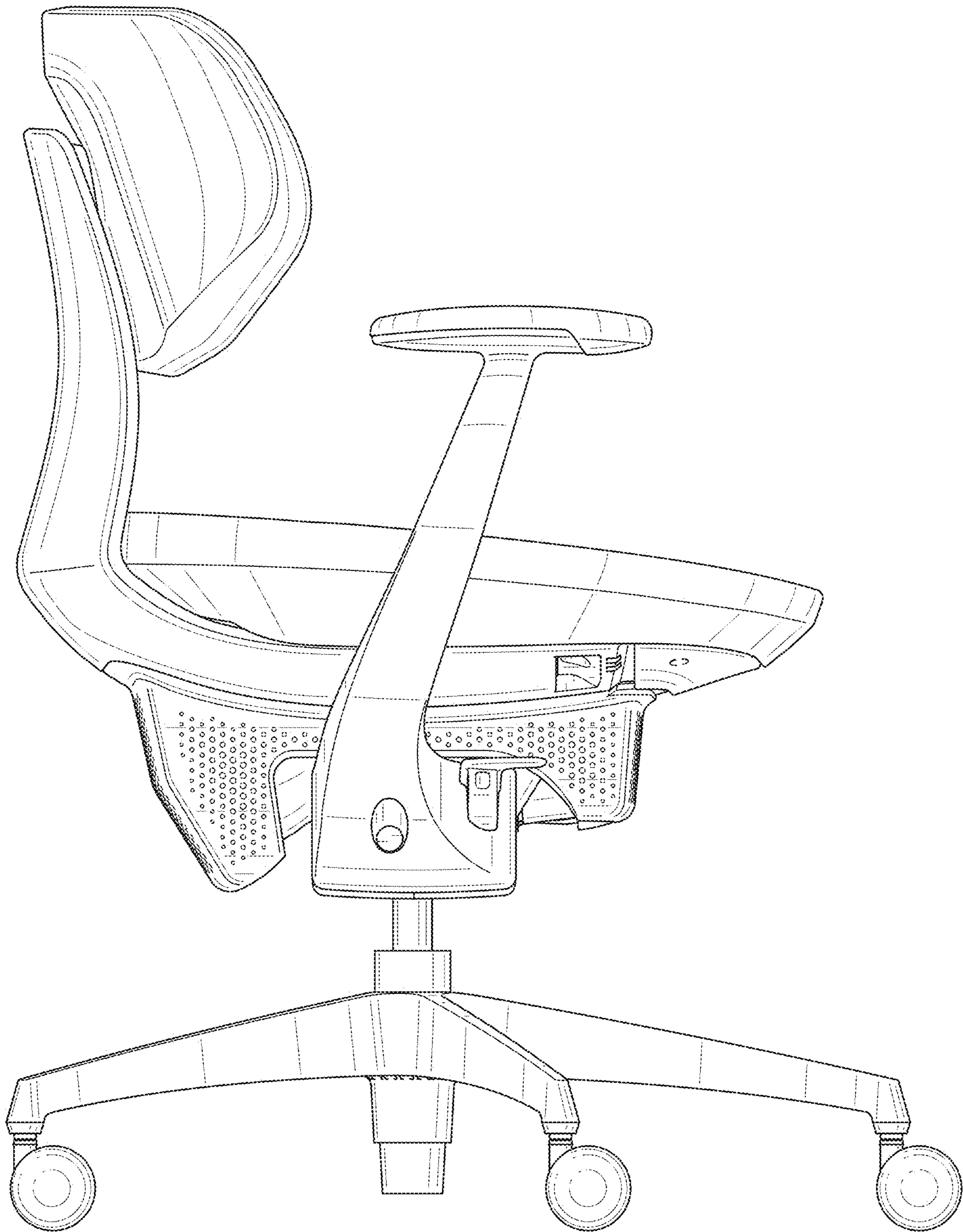


FIG. 7

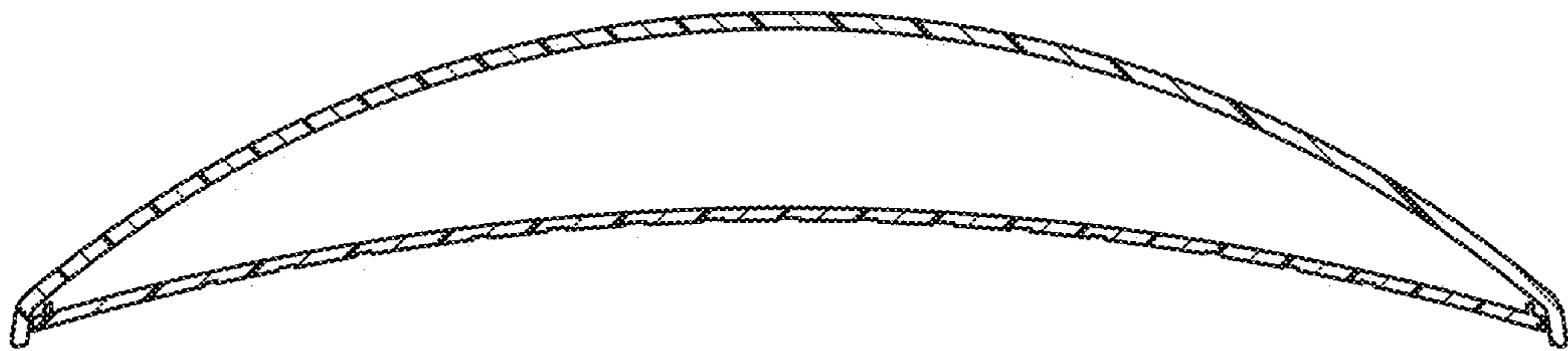


FIG. 8

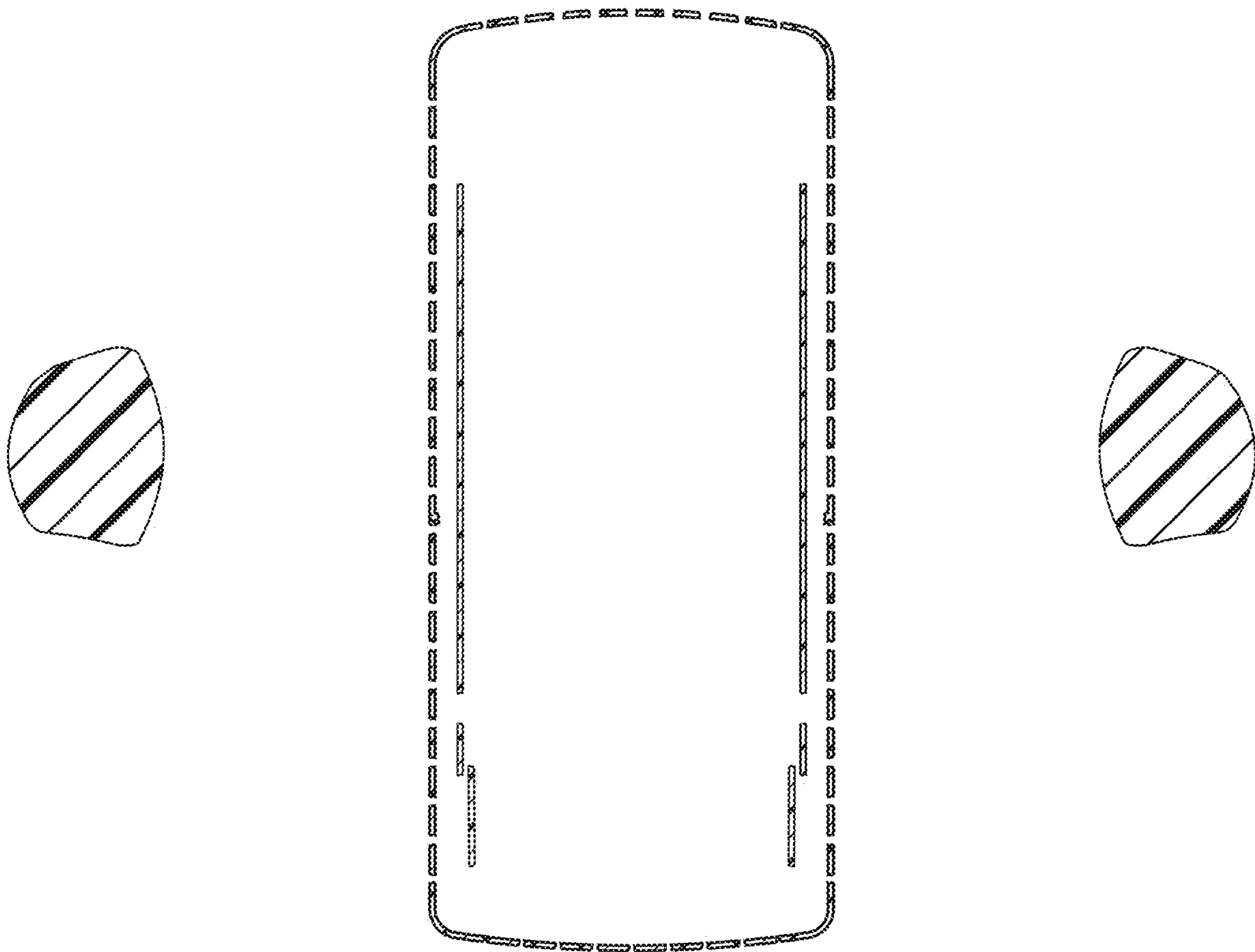


FIG. 9

UNITED STATES PATENT AND TRADEMARK OFFICE  
**CERTIFICATE OF CORRECTION**

PATENT NO. : D884,377 S  
APPLICATION NO. : 29/703786  
DATED : May 19, 2020  
INVENTOR(S) : Yojiro Kinoshita et al.

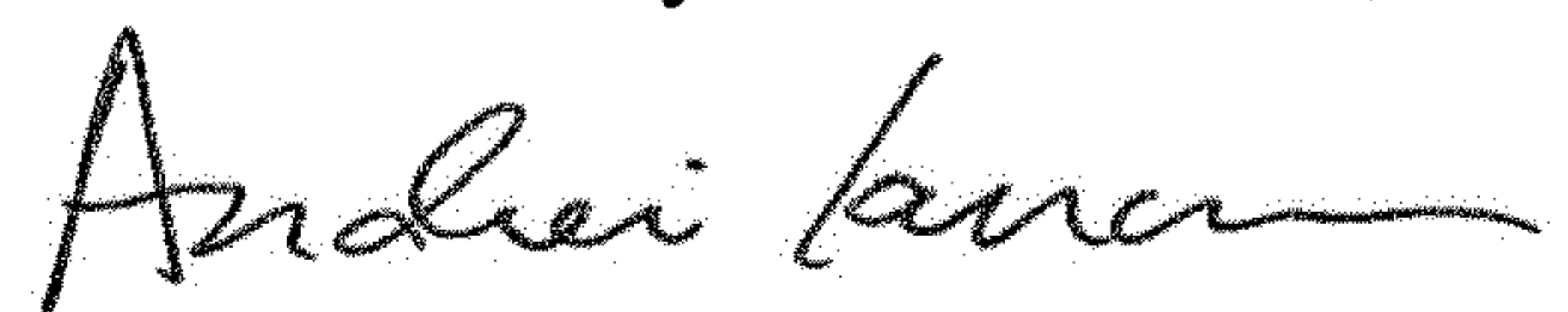
Page 1 of 2

It is certified that error appears in the above-identified patent and that said Letters Patent is hereby corrected as shown below:

In the Drawings

Sheet 6, FIG. 6, the reference line labeled "17-17" should be labeled "8-8", as shown on the attached drawing sheet.

Signed and Sealed this  
Seventeenth Day of November, 2020



Andrei Iancu  
*Director of the United States Patent and Trademark Office*

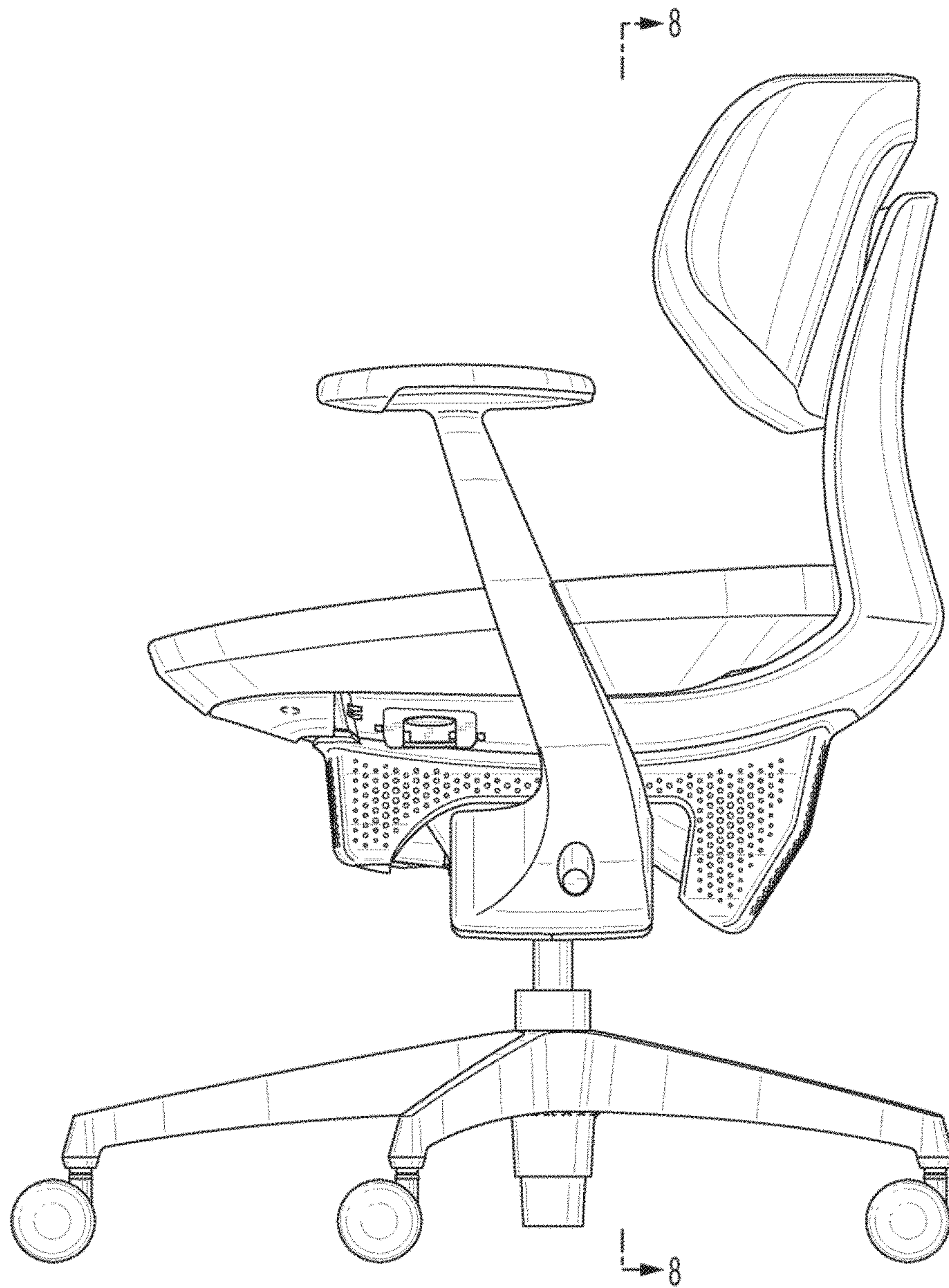


FIG. 6