



US00D884372S

(12) **United States Design Patent**  
**Thiel, III**

(10) **Patent No.:** **US D884,372 S**

(45) **Date of Patent:** **\*\* May 19, 2020**

(54) **FOLDABLE STOOL**

(71) Applicant: **Frank William Thiel, III**, Sterling Heights, MI (US)

(72) Inventor: **Frank William Thiel, III**, Sterling Heights, MI (US)

(73) Assignee: **Frank William Thiel, III**, Sterling Heights, MI (US)

(\*\*) Term: **15 Years**

(21) Appl. No.: **29/660,857**

(22) Filed: **Aug. 23, 2018**

(51) **LOC (12) Cl.** ..... **06-01**

(52) **U.S. Cl.**  
USPC ..... **D6/353**

(58) **Field of Classification Search**  
USPC ..... D6/348-353, 355, 358, 364-365, 360,  
D6/369, 374, 381, 597, 691-691.9,  
D6/692-692.6; D34/12, 14, 17  
CPC ... A47C 16/02-04; A47C 11/00; A47C 9/007;  
A47C 13/00; A47K 17/02-028; A47B  
7/00-02

See application file for complete search history.

(56) **References Cited**

U.S. PATENT DOCUMENTS

D466,668	S *	12/2002	Peschmann	.....	D34/23
6,520,513	B2	2/2003	Presley-Mays		
6,758,482	B2	7/2004	Stallbaumer		
D527,508	S *	8/2006	Monteith	.....	D34/17
7,182,350	B1	2/2007	Liao		
D579,679	S *	11/2008	Qian	.....	D6/349
D661,451	S *	6/2012	Armstrong, Sr.	.....	D34/17
8,342,544	B1 *	1/2013	Blewett	.....	B62B 3/022 211/189

D749,865	S	2/2016	Moffat		
D763,532	S *	8/2016	Huang	.....	D34/12
9,643,632	B2 *	5/2017	Nelson	.....	B62B 3/02
9,687,080	B1 *	6/2017	Thiel	.....	A47C 9/10
D803,593	S *	11/2017	Duarte	.....	D6/349
D808,673	S *	1/2018	Brewer	.....	D6/349
9,949,566	B1 *	4/2018	Thiel, III	.....	A47C 4/02
D823,611	S *	7/2018	Illan	.....	D6/336
D827,240	S *	8/2018	Hu	.....	D34/17
D855,921	S *	8/2019	Yu	.....	B62B 3/022 D34/12
2006/0255551	A1 *	11/2006	Hurt	.....	A47C 13/00 280/8

\* cited by examiner

*Primary Examiner* — Vy N Koenig

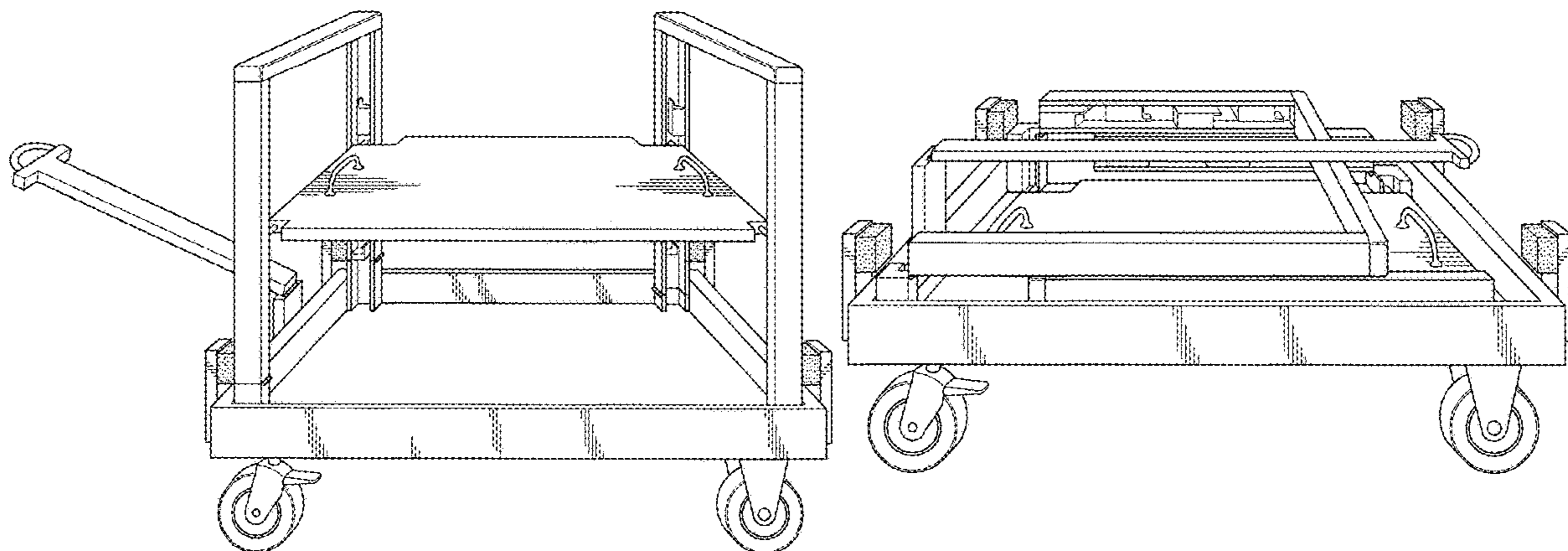
(57) **CLAIM**

The ornamental design for a foldable stool, as shown and described.

**DESCRIPTION**

FIG. 1 is a perspective view of a foldable stool showing my new design disposed, by way of example only, with a pair of arms in a first position;  
 FIG. 2 is a top view of the foldable stool of FIG. 1 with the pair of arms in the first position;  
 FIG. 3 is a perspective view of the foldable stool of FIG. 1, with the seat and handle in a lowered position and the pair of arms in a folded second position;  
 FIG. 4 is a top view of the foldable stool of FIG. 1 with the seat in a lowered position and the pair of arms in a folded second position; and,  
 FIG. 5 is a side view of the foldable stool of FIG. 1 with the pair of arms moving between the first position and the second position.

**1 Claim, 5 Drawing Sheets**



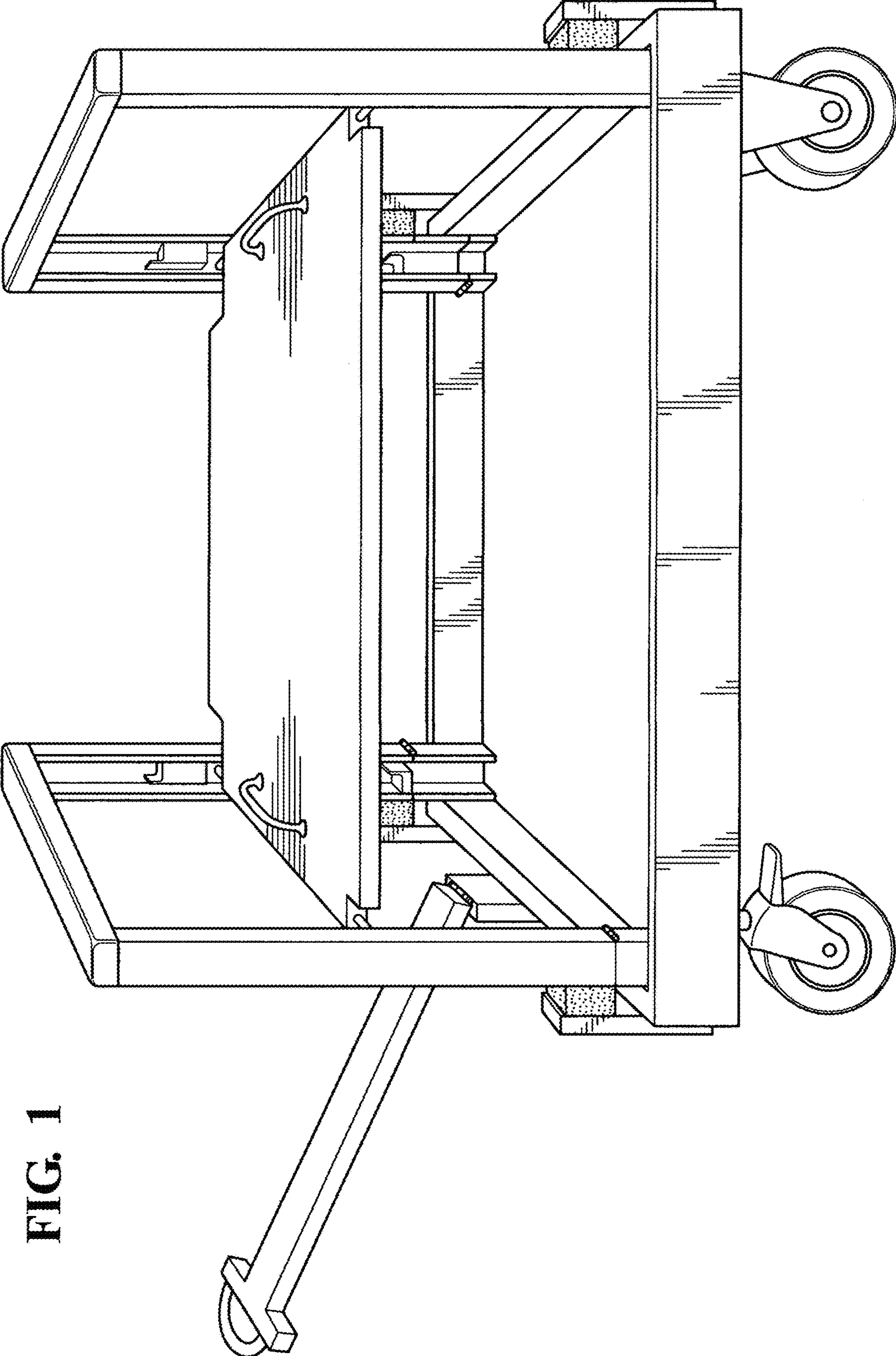


FIG. 1

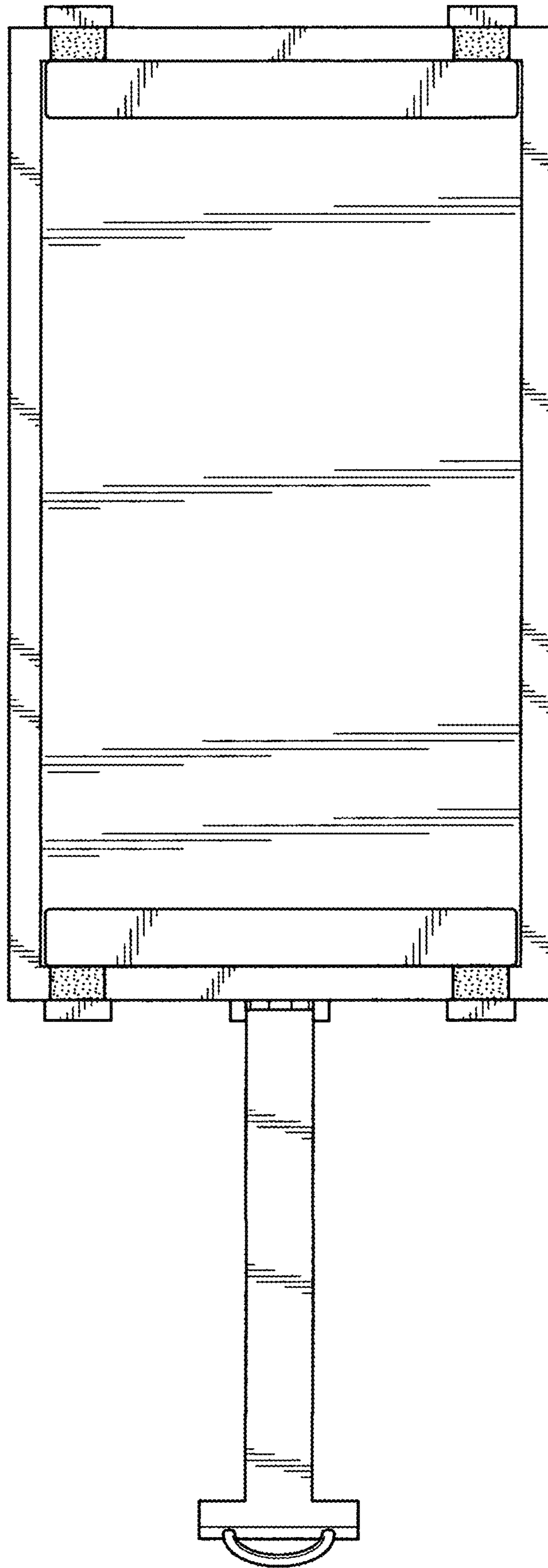


FIG. 2

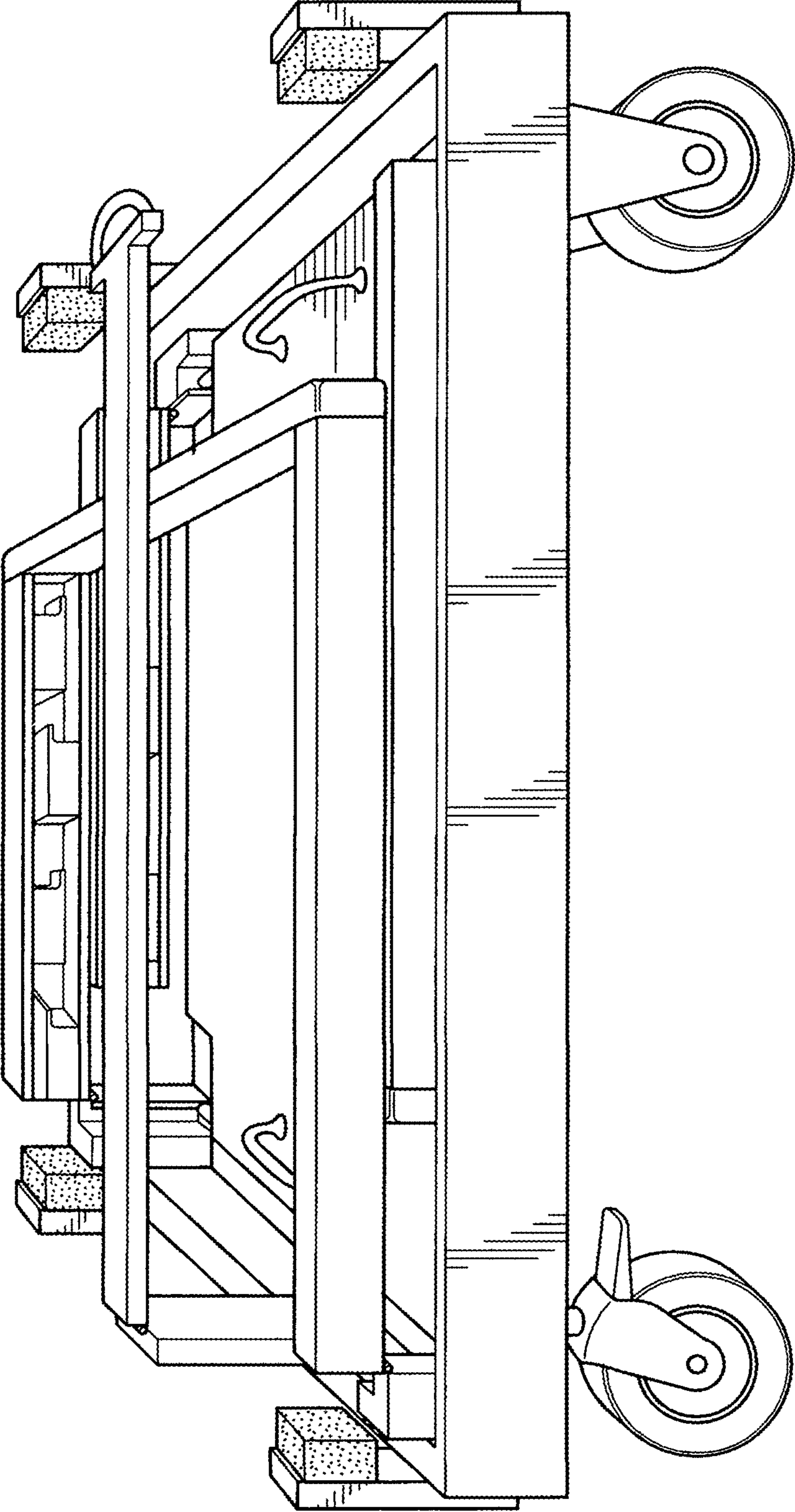


FIG. 3

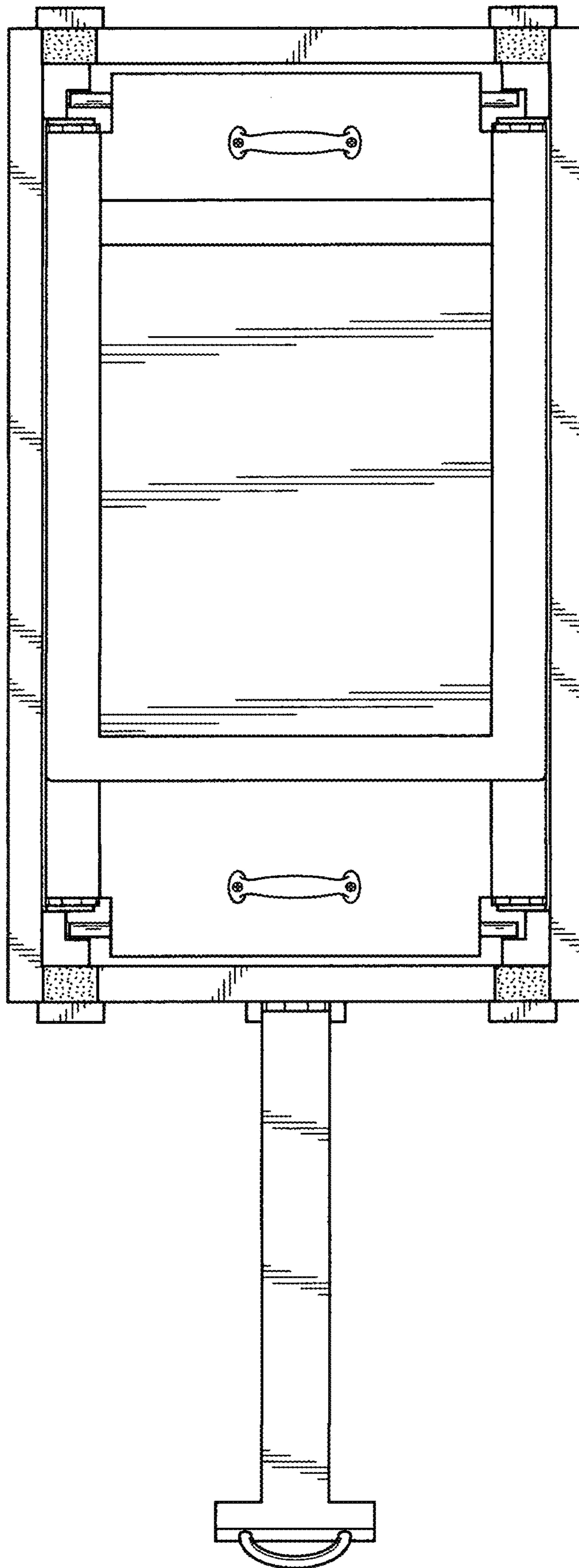


FIG. 4

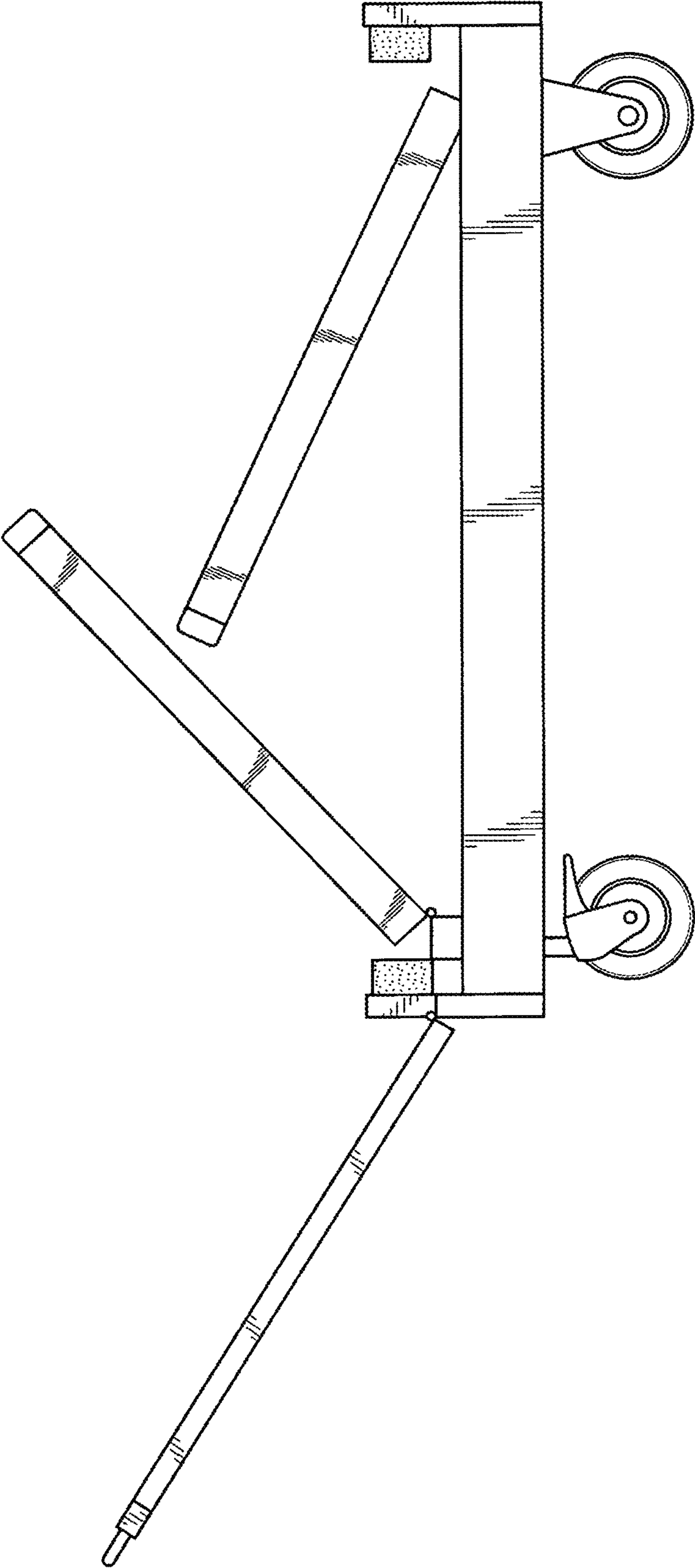


FIG. 5