



US00D884371S

(12) **United States Design Patent**
Hurford

(10) **Patent No.:** **US D884,371 S**

(45) **Date of Patent:** **** May 19, 2020**

(54) **CHAIR WITH TABLE**

(71) Applicant: **Okamura Corporation**, Yokohama-shi,
Kanagawa (JP)

(72) Inventor: **Alexander Hurford**, Yokohama (JP)

(73) Assignee: **Banner & Witcoff, Ltd.**,
Yokohama-shi, Kanagawa (JP)

(**) Term: **15 Years**

(21) Appl. No.: **29/642,745**

(22) Filed: **Apr. 2, 2018**

(30) **Foreign Application Priority Data**

Oct. 2, 2017 (JP) 2017-021823

(51) **LOC (12) Cl.** **06-01**

(52) **U.S. Cl.**
USPC **D6/336**

(58) **Field of Classification Search**

USPC D6/334, 335, 336, 364, 366, 371, 374,
D6/686, 716, 716.1, 716.2, 716.3, 716.4
CPC .. A47C 4/02; A47C 4/028; A47C 7/00; A47C
7/021; A47C 7/18; A47C 7/24
See application file for complete search history.

(56) **References Cited**

U.S. PATENT DOCUMENTS

D145,657 S * 10/1946 Case D6/336
D174,070 S * 2/1955 Wilson D6/336

D190,904 S * 7/1961 Kasparian D6/336
D192,913 S * 5/1962 Wilson D6/336
D202,339 S * 9/1965 McRee D6/336
3,323,833 A * 6/1967 Kasparian A47C 7/00
297/248
D237,026 S * 10/1975 Vogt D6/336
D355,981 S * 3/1995 Kim D6/336
D356,691 S * 3/1995 Lin D6/336
D484,709 S * 1/2004 Cronk D6/336
D770,822 S * 11/2016 Schweikarth D6/366

* cited by examiner

Primary Examiner — Mimoso De

(74) *Attorney, Agent, or Firm* — Banner & Witcoff, Ltd.

(57) **CLAIM**

The ornamental design for a chair with table, as shown and described.

DESCRIPTION

FIG. 1 is a front perspective view of a chair with table showing my new design;
FIG. 2 is a rear perspective view thereof;
FIG. 3 is a front view thereof;
FIG. 4 is a rear view thereof;
FIG. 5 is a left side view thereof;
FIG. 6 is a right side view thereof;
FIG. 7 is a top view thereof; and,
FIG. 8 is a bottom view thereof.

The broken lines shown in the drawings illustrate portions of the chair with table that form no part of the claimed design.

1 Claim, 7 Drawing Sheets

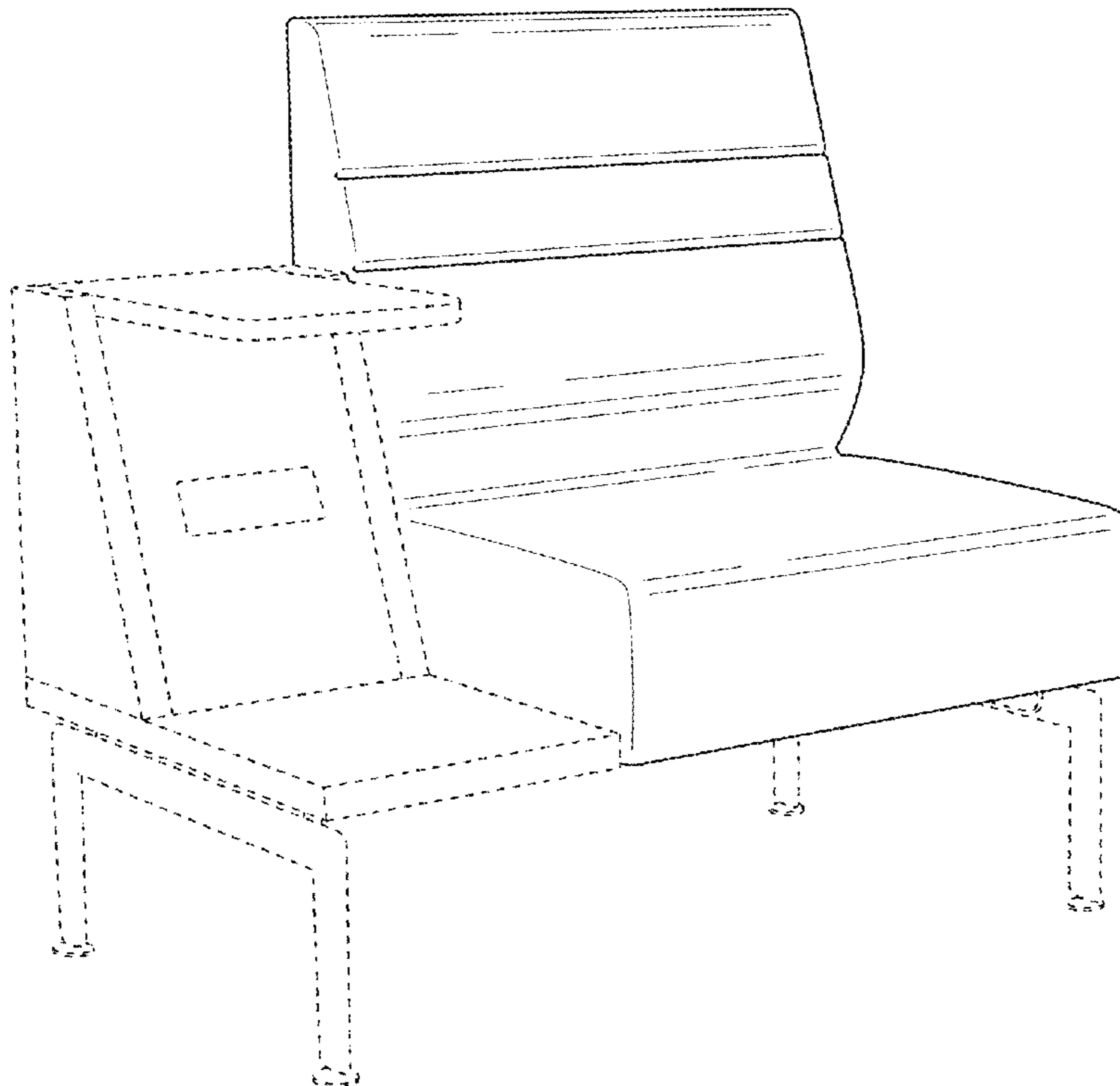


Fig. 1

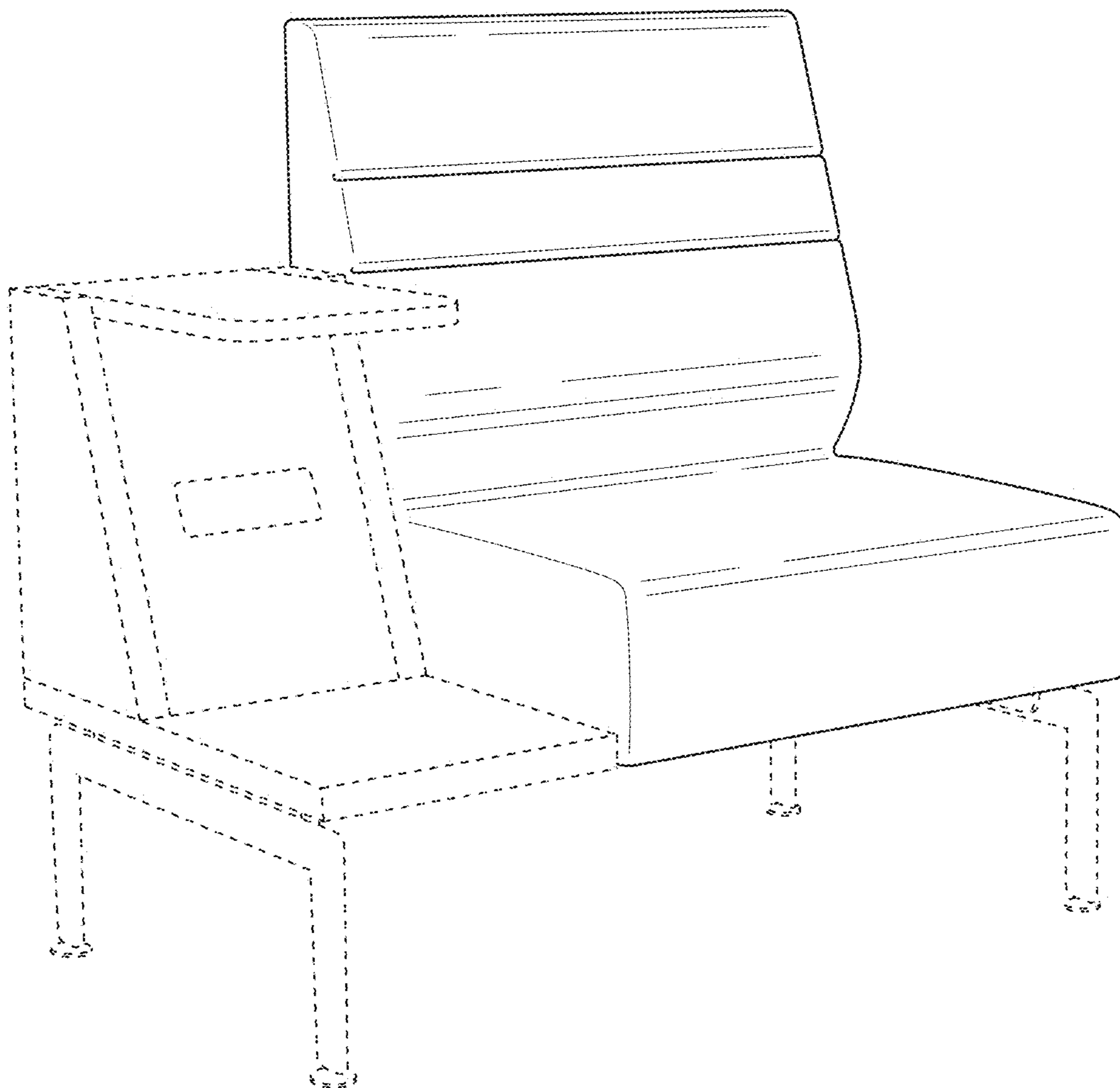


Fig. 2

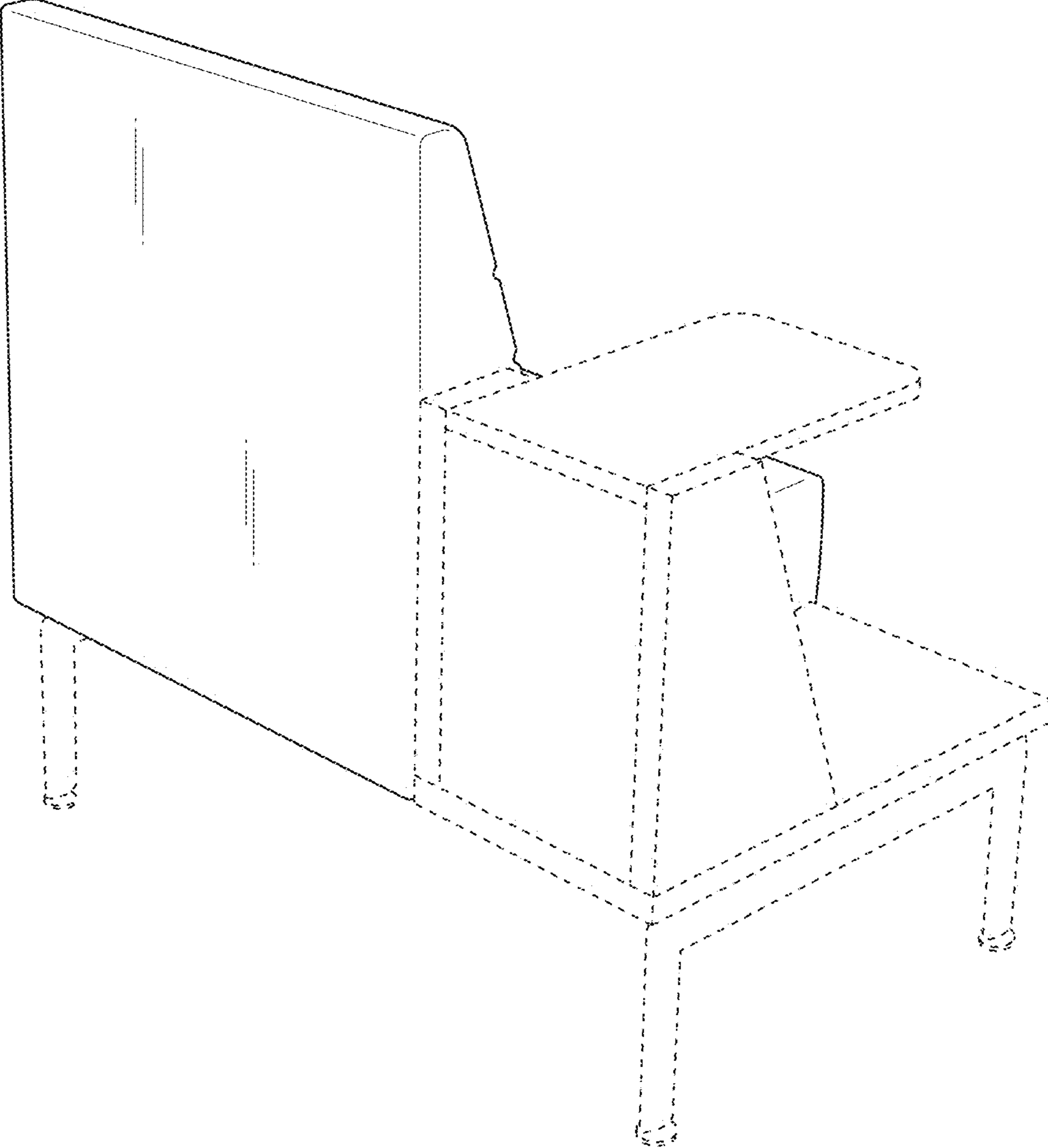


Fig. 3

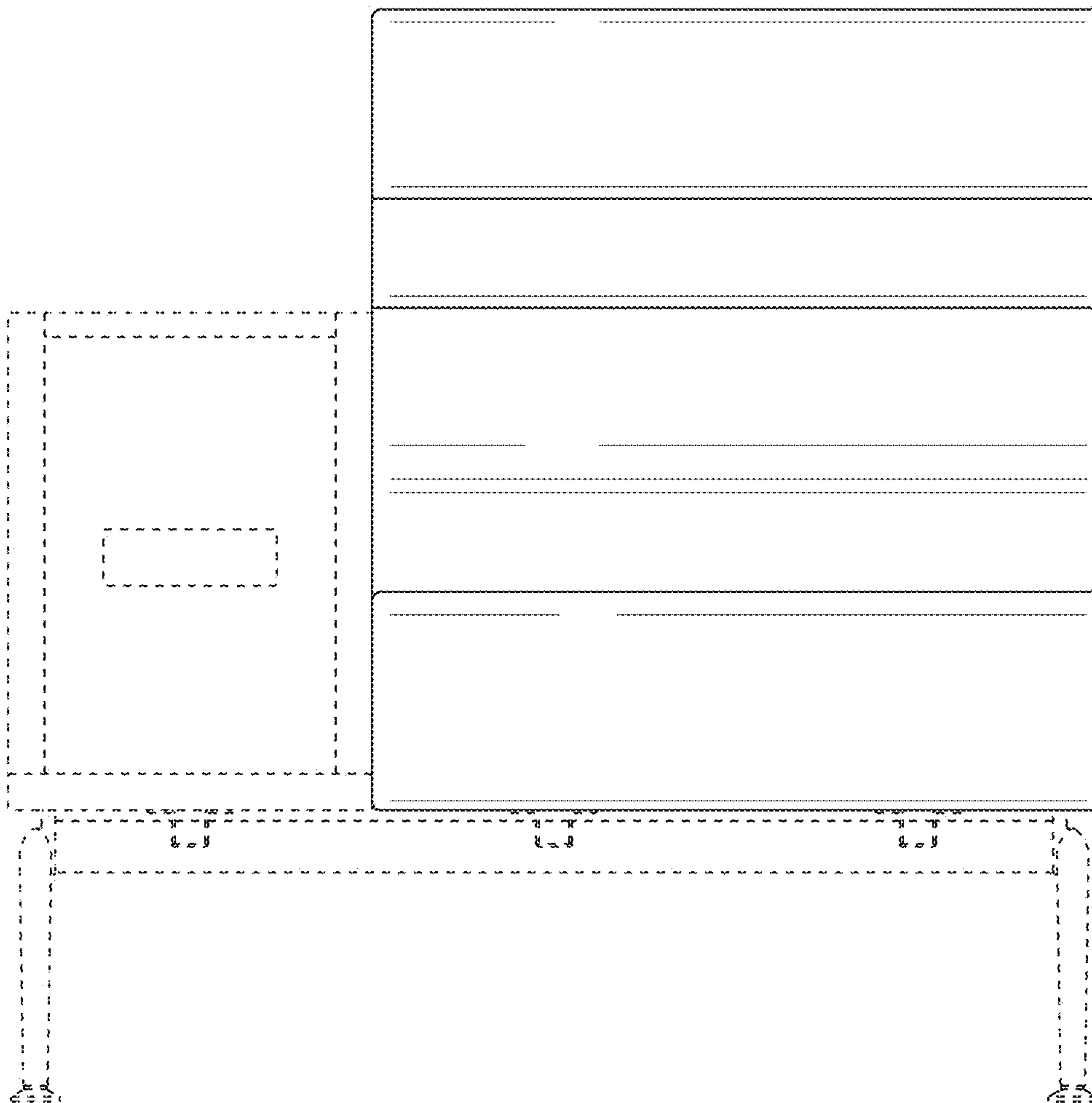


Fig. 4

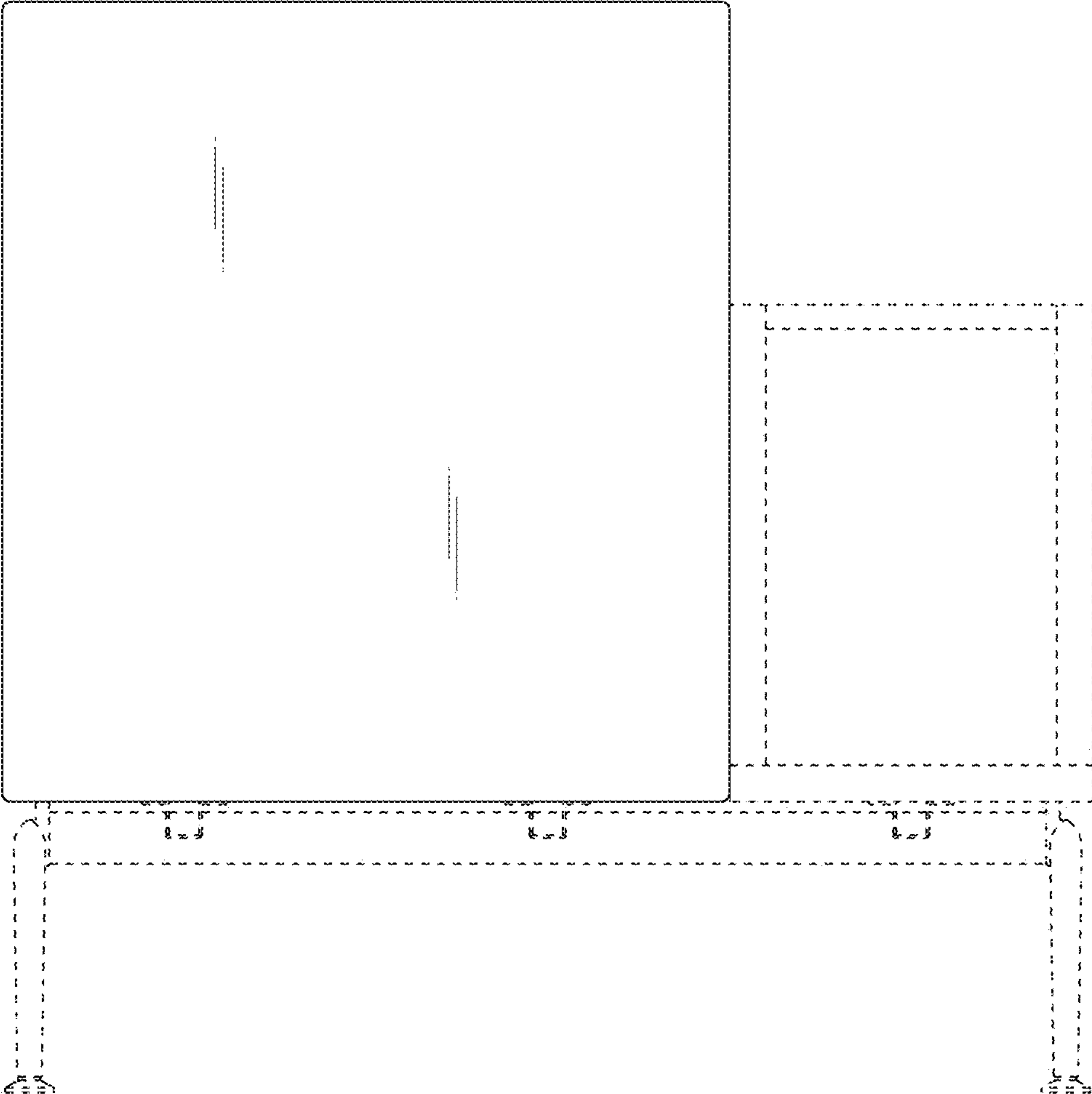


Fig. 5

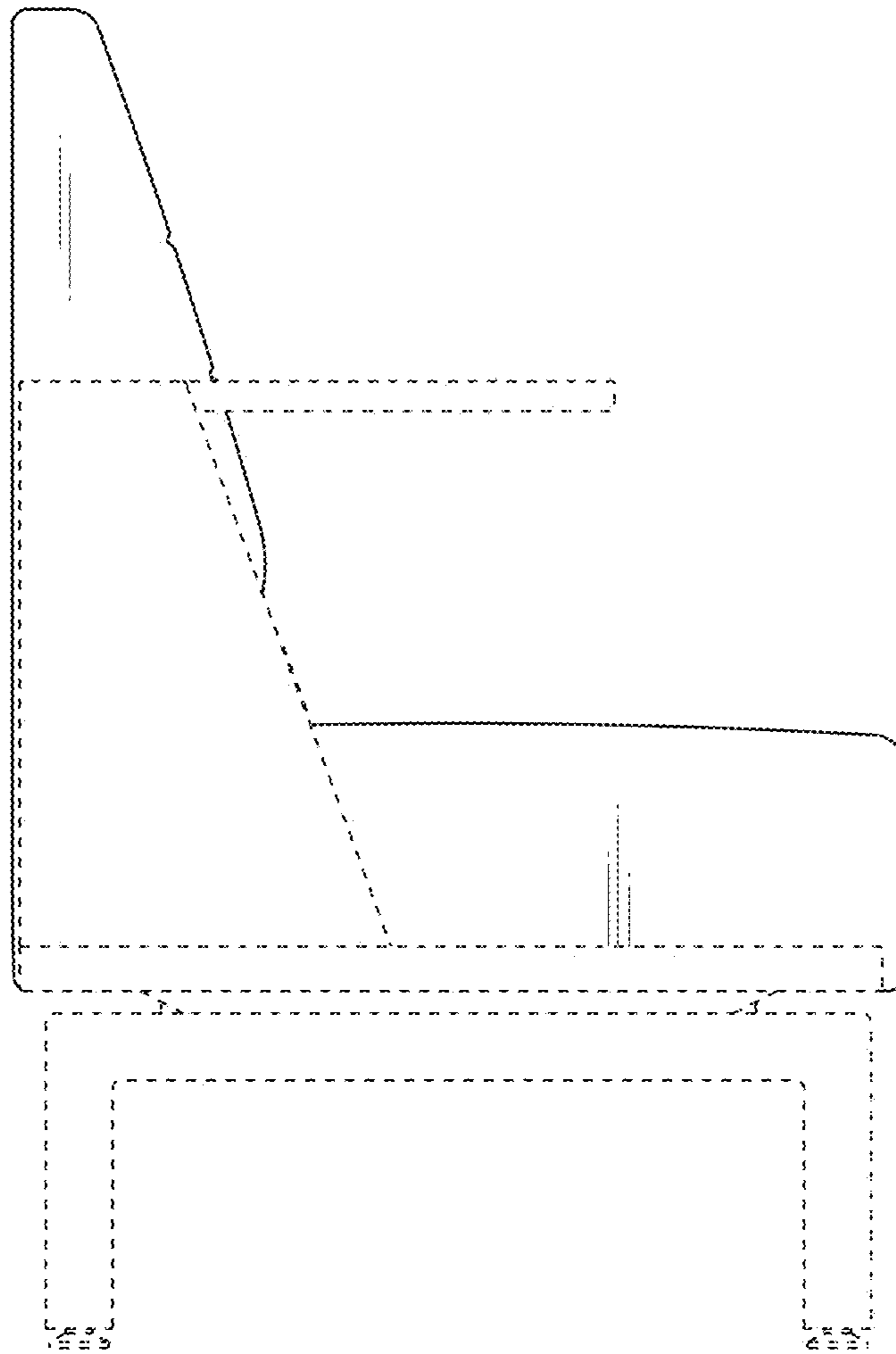


Fig. 6

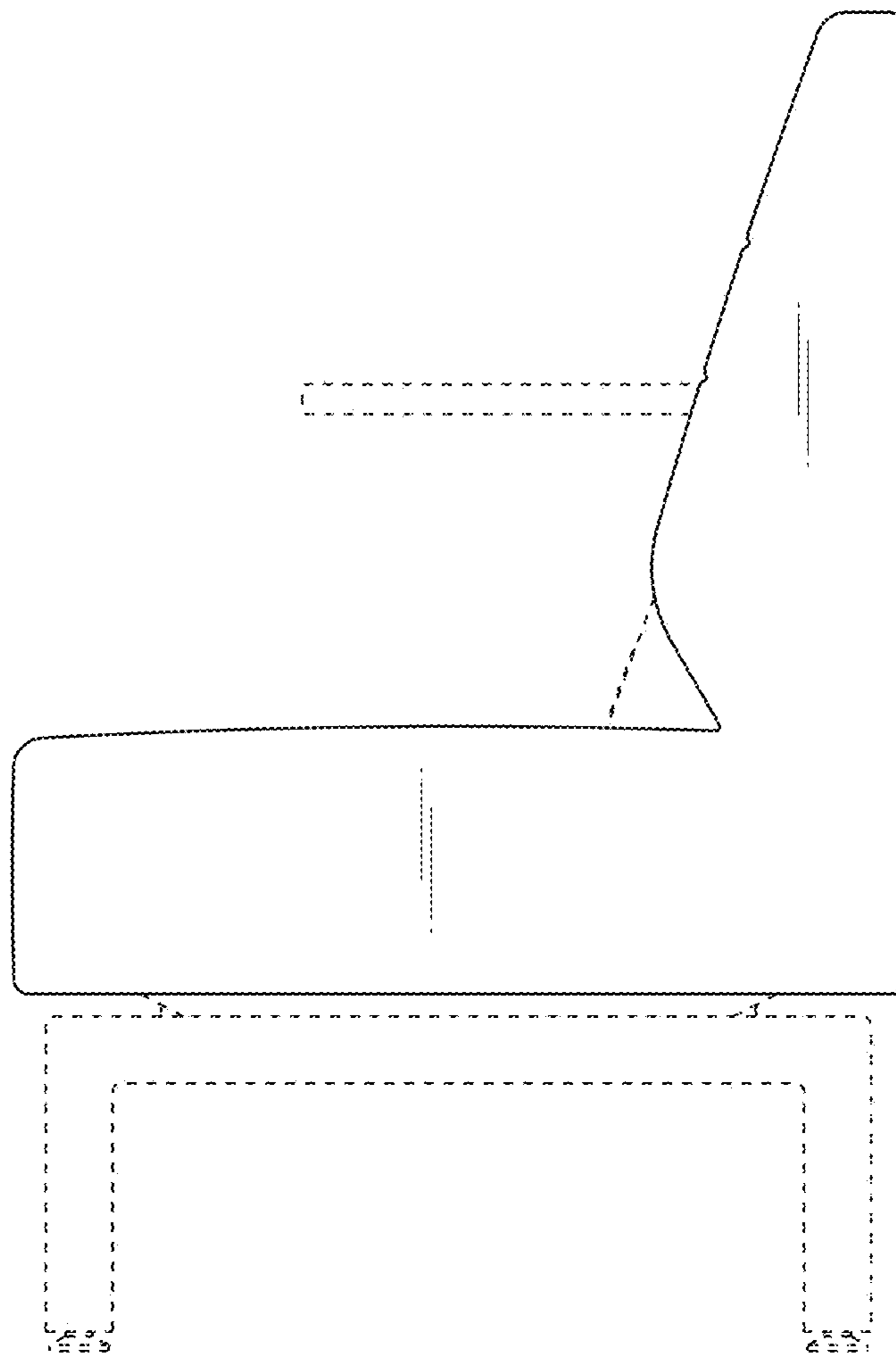


Fig. 7

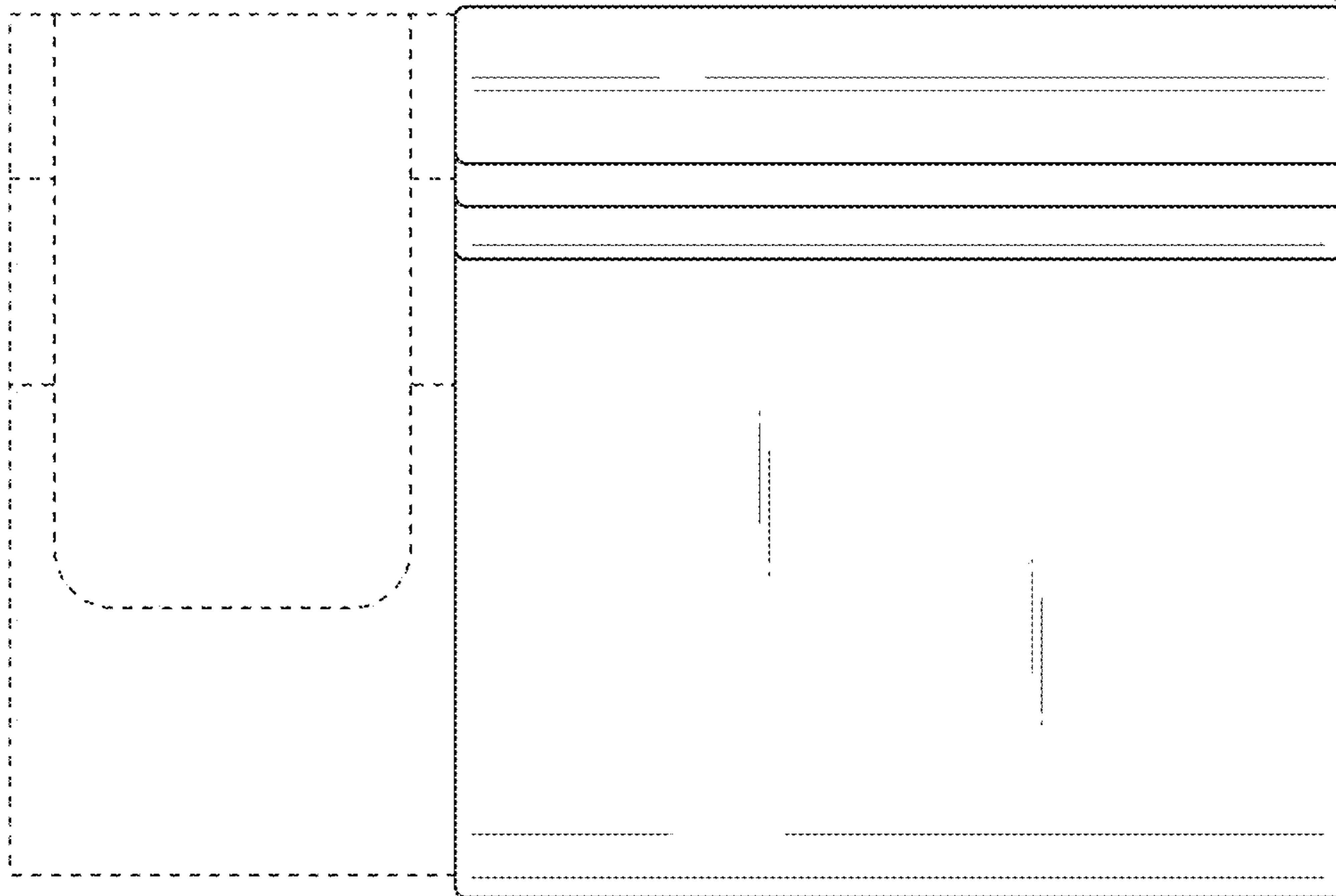


Fig. 8

