



US00D884370S

(12) **United States Design Patent**
Yoon et al.

(10) **Patent No.:** **US D884,370 S**

(45) **Date of Patent:** **** May 19, 2020**

(54) **HANGER**

(71) Applicant: **Samsung Electronics Co., Ltd.**,
Suwon-si (KR)

(72) Inventors: **Hyunwoo Yoon**, Seongnam-si (KR);
Sanghun Yoon, Seoul (KR); **Jinsook Park**,
Uiwang-si (KR); **Sodam Park**, Seoul (KR);
Kangkyung Lee, Seoul (KR)

(73) Assignee: **Samsung Electronics Co., Ltd.**,
Suwon-si (KR)

(**) Term: **15 Years**

(21) Appl. No.: **29/680,456**

(22) Filed: **Feb. 15, 2019**

(30) **Foreign Application Priority Data**

Aug. 16, 2018 (KR) 30-2018-0038065

(51) **LOC (12) Cl.** **06-08**

(52) **U.S. Cl.**
USPC **D6/328; D6/319**

(58) **Field of Classification Search**
USPC D6/315–328, 512, 513, 552; D8/373,
D8/377, 380
CPC A47G 25/14; A47G 25/28; A47G 25/26;
A47G 25/30; A47G 25/36; A47G 25/50;
A47G 25/442; A47G 25/483; A47G
25/743; A47G 25/4023; A47F 5/0006
See application file for complete search history.

(56) **References Cited**

U.S. PATENT DOCUMENTS

D127,688 S * 6/1941 Sarkisian D6/318
D162,048 S * 2/1951 Lynch D6/318
2,630,254 A * 3/1953 Rice A47G 25/26
223/98

2,637,472 A * 5/1953 Lyons A47G 25/32
223/92
2,652,958 A * 9/1953 Alvord A47G 25/26
223/94
2,699,873 A * 1/1955 Brady A47G 25/06
211/113

(Continued)

FOREIGN PATENT DOCUMENTS

KR 30-0596466 S 4/2011
KR 30-0748081 S 6/2014

(Continued)

OTHER PUBLICATIONS

[2018] <https://blog.naver.com> Feb. 15, 2019 <<https://blog.naver.com/afnyocom/221260466904>>.

(Continued)

Primary Examiner — Lauren R Calve
(74) *Attorney, Agent, or Firm* — NSIP Law

(57) **CLAIM**

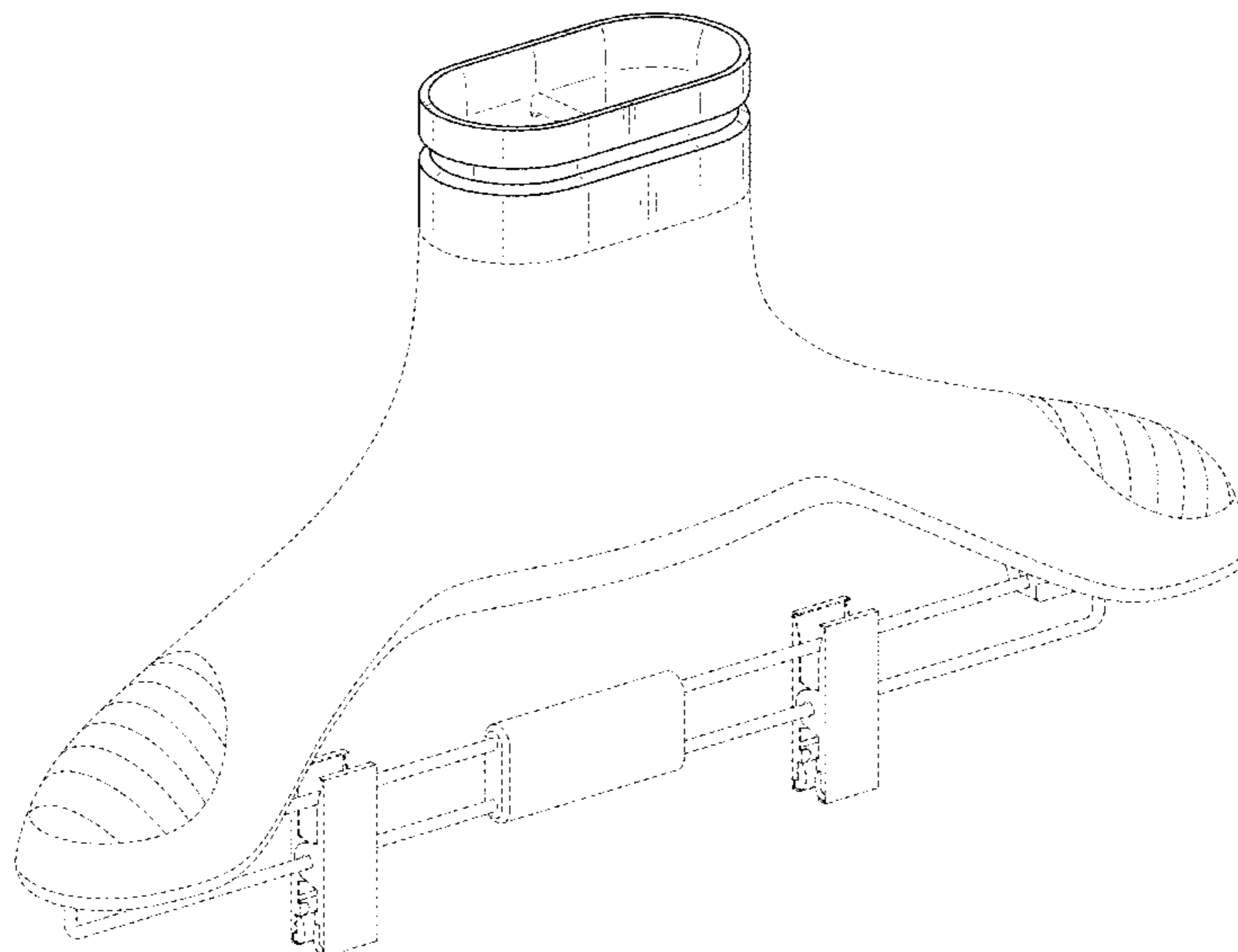
We claim the ornamental design for a hanger, as shown and described.

DESCRIPTION

FIG. 1 is a front perspective view of a hanger showing our new design;
FIG. 2 is a front view thereof;
FIG. 3 is a rear view thereof;
FIG. 4 is a left-side view thereof;
FIG. 5 is a right-side view thereof;
FIG. 6 is a top view thereof;
FIG. 7 is a bottom view thereof; and,
FIG. 8 is a cross-sectional view taken though line 8-8 of FIG. 2.

The broken lines in the figures depict portions of the hanger which form no part of the claimed design.

1 Claim, 6 Drawing Sheets



(56)

References Cited

U.S. PATENT DOCUMENTS

2,742,209 A * 4/1956 Reinsch A47G 25/487
223/91
3,579,710 A * 5/1971 Gartzke A47B 57/26
16/93 R
3,606,948 A * 9/1971 Strang E05B 69/006
211/4
D239,041 S * 3/1976 Rubenstein D99/28
4,227,282 A * 10/1980 Ford E05D 15/12
16/93 R
D309,686 S * 8/1990 King D6/513
D334,846 S * 4/1993 Blanchard D6/317
D390,365 S * 2/1998 Mayer D6/319
5,718,358 A * 2/1998 Long A47G 25/442
223/85
D437,494 S * 2/2001 Grisdale D6/319
6,260,747 B1 * 7/2001 Lam A47G 25/28
223/91
7,320,182 B1 * 1/2008 Hsu A47G 25/28
34/90
8,789,729 B2 * 7/2014 Beckett D06F 59/02
223/120
9,532,673 B2 * 1/2017 Schoonover A47G 25/20
2005/0274751 A1 * 12/2005 Plumley A47G 25/14
223/85
2006/0226177 A1 * 10/2006 McJunkin D06F 59/02
223/85

FOREIGN PATENT DOCUMENTS

KR 30-0756378 S 8/2014
KR 30-0784023 S 2/2015

OTHER PUBLICATIONS

[2017] <http://post.naver.com> Feb. 15, 2019 <<http://post.naver.com/viewer/postView.nhn?volumeNo=9116232&memberNo=954004>>.
“Master Precision Garment Steamer” <https://www.tefal.co.nz> Feb. 15, 2019 <<https://www.tefal.co.nz/Linen-Care/TEFAL-MASTER-PRECISION-360-IT6540/p/2820654000>>.
“Clothes hanger cpl.” <https://www.vzug.com> Feb. 15, 2019 <<https://www.vzug.com/ch/en/product/AuxiliaryCatalog/W54789>>.
[2017] <https://blog.naver.com> Feb. 15, 2019 <<https://blog.naver.com/yonugy/221154496629>>.
“LG Styler Hanger (AEE73009502)” [2014] <http://www.enuri.com> Feb. 15, 2019 <<http://www.enuri.com/p/10947064>>.
“220 Voltage Portable Clothes Dryer Smart Hanger Dry Fast Inactivate Viruses and Bacteria” <http://www.sourcingbay.com> Feb. 15, 2019 <http://www.sourcingbay.com/product_info.php?products_id=1842>.

* cited by examiner

FIG. 1

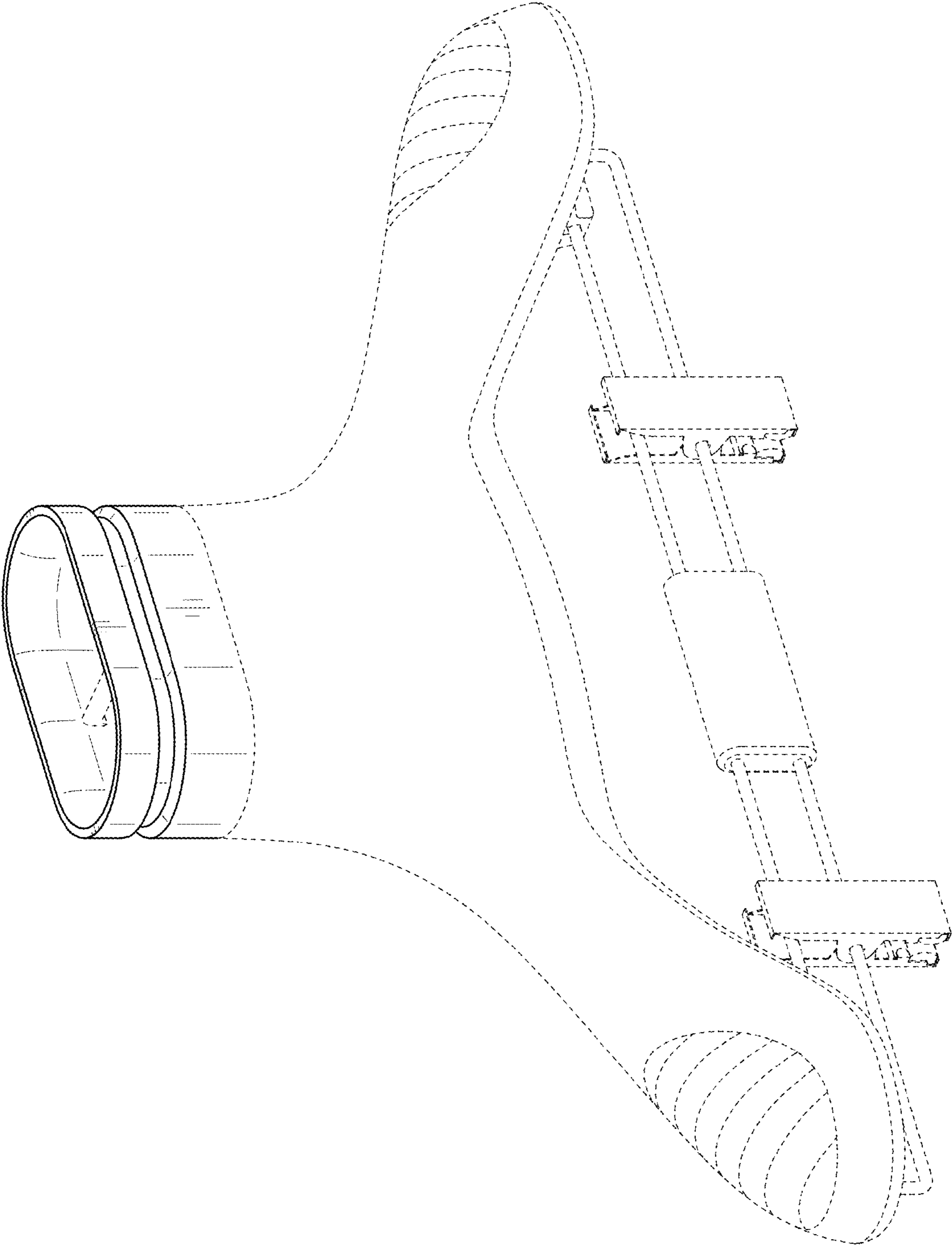


FIG. 3

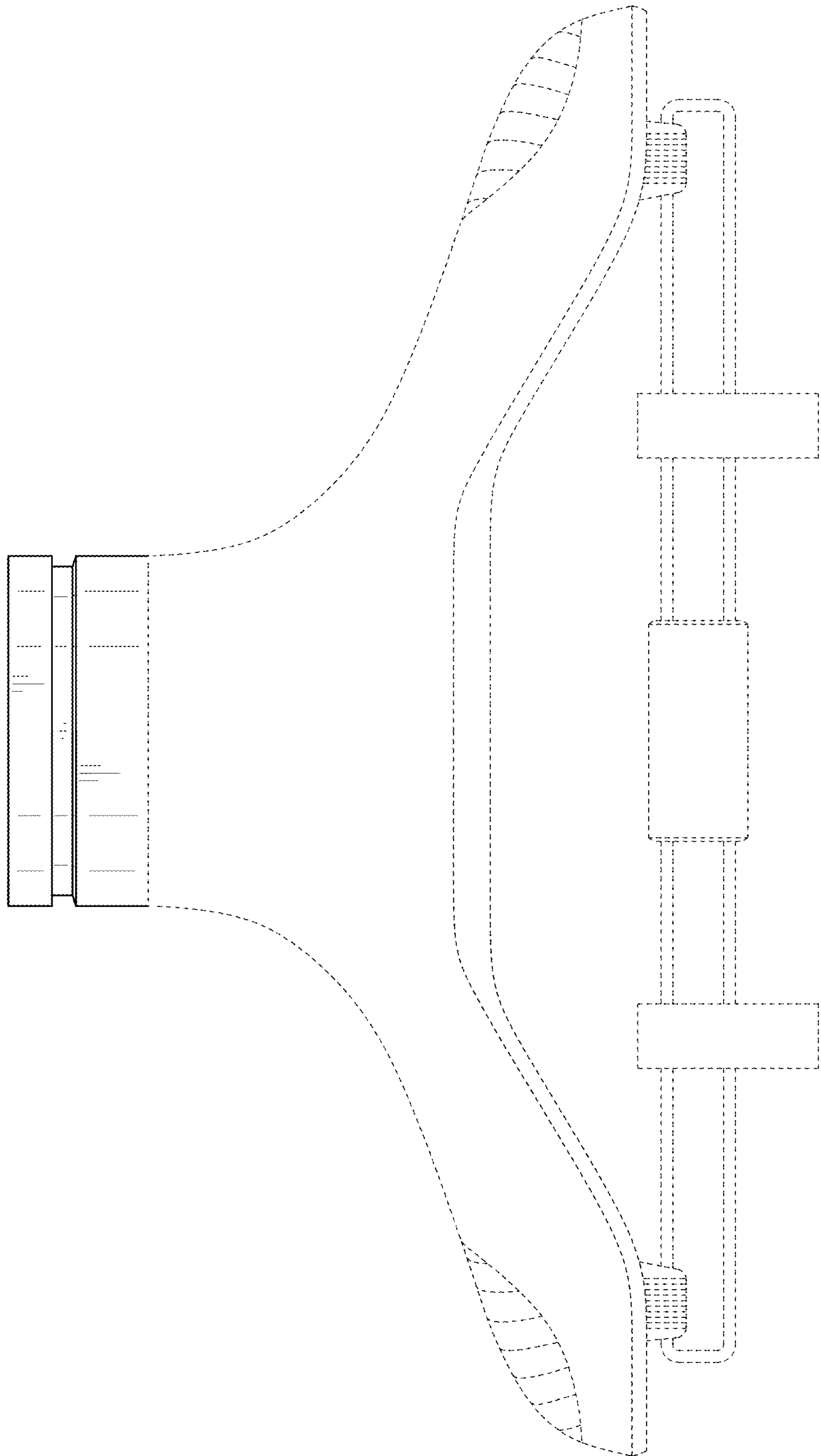


FIG. 5

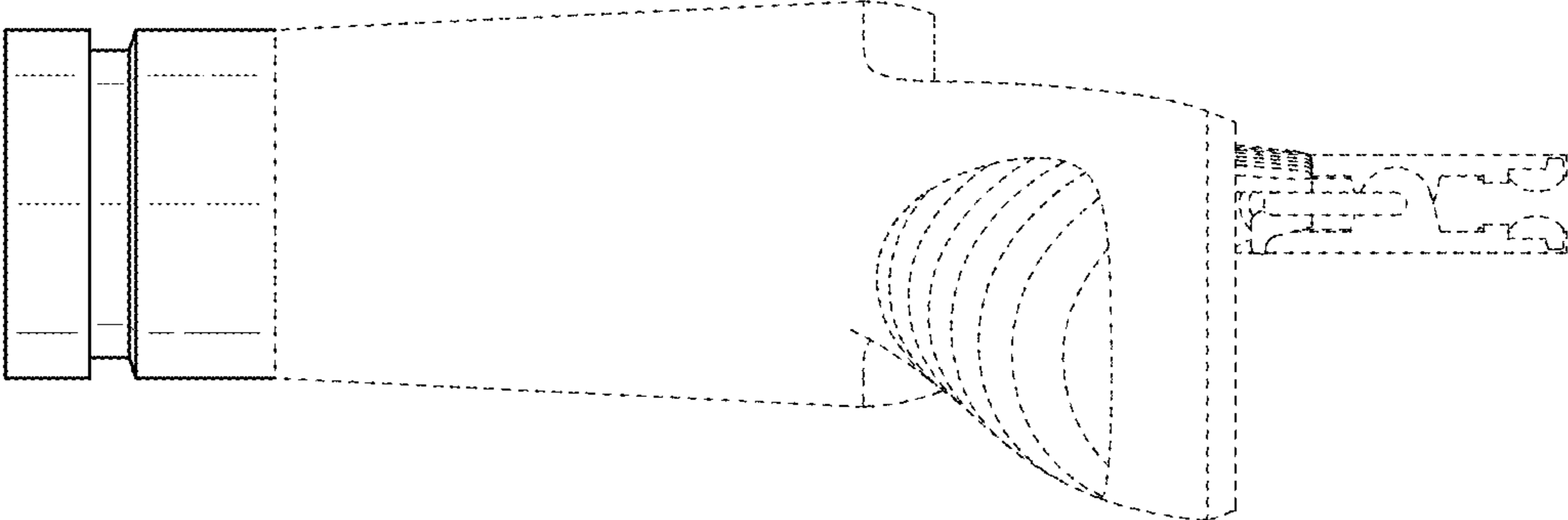


FIG. 4

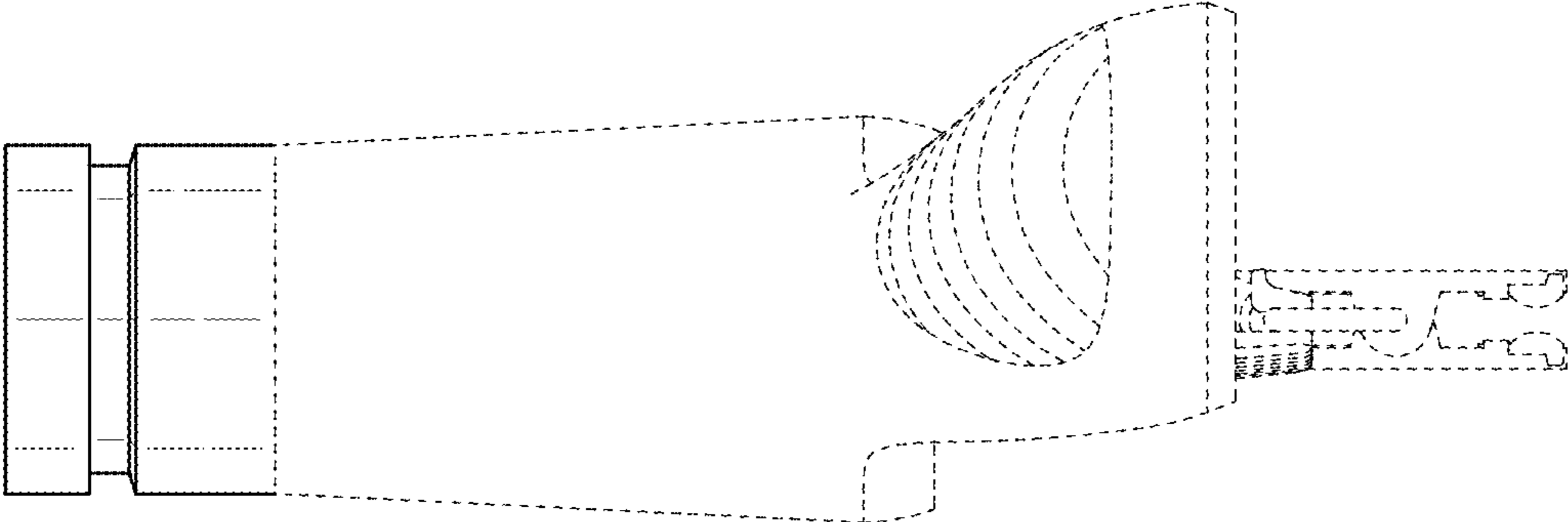


FIG. 6

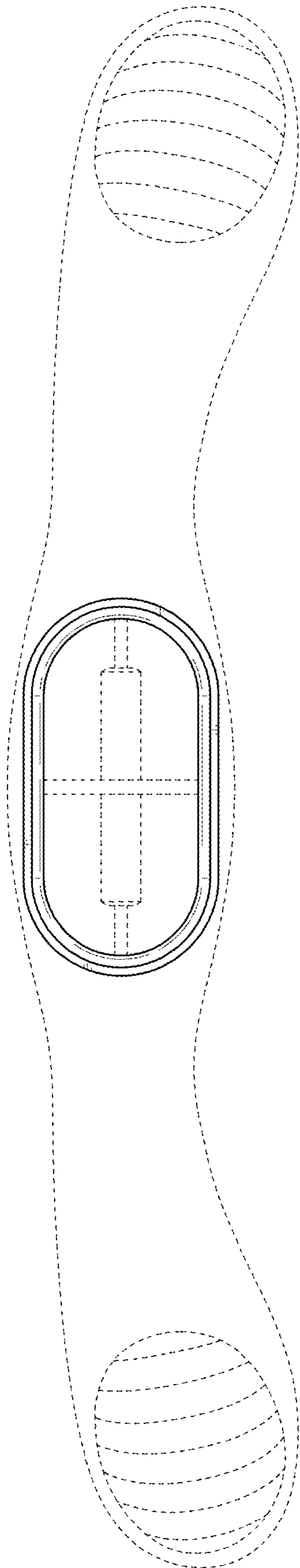


FIG. 7

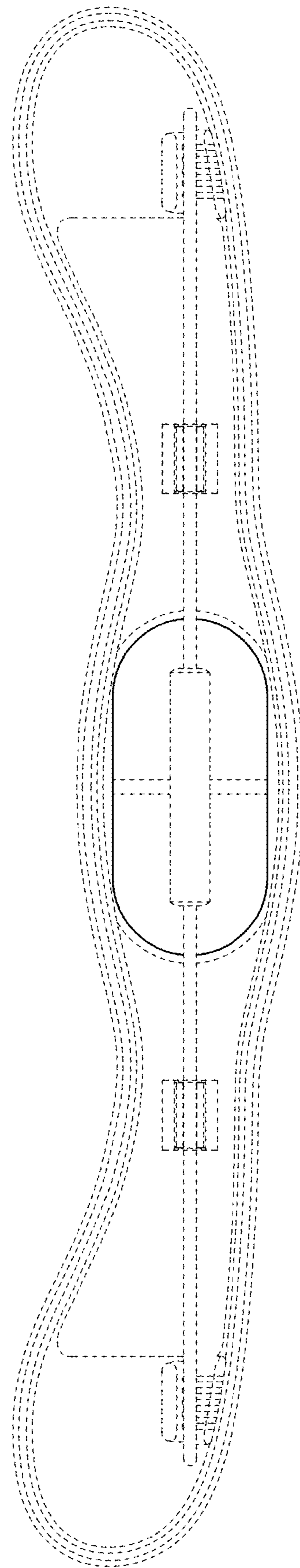


FIG. 8

