



US00D884368S

(12) **United States Design Patent**  
**Yoon et al.**

(10) **Patent No.:** **US D884,368 S**  
(45) **Date of Patent:** **\*\* May 19, 2020**

(54) **CLOTHES HANGER**

FOREIGN PATENT DOCUMENTS

(71) Applicant: **Samsung Electronics Co., Ltd.**,  
Suwon-si (KR)

EM 002151340-0012 1/2013  
JP D1438549 4/2012  
JP D1507889 9/2014

(72) Inventors: **Hyunwoo Yoon**, Seongnam-si (KR);  
**Sanghun Yoon**, Seoul (KR); **Jinsook Park**,  
Uiwang-si (KR); **Sodam Park**, Seoul (KR);  
**Kangkyung Lee**, Seoul (KR)

OTHER PUBLICATIONS

[2017] [www.blog.naver.com](https://blog.naver.com/mjshsweet/221008996967) May 18, 2017 <<https://blog.naver.com/mjshsweet/221008996967>>.

(73) Assignee: **Samsung Electronics Co., Ltd.**,  
Suwon-si (KR)

(Continued)

(\*\*) Term: **15 Years**

*Primary Examiner* — Lauren R Calve

(74) *Attorney, Agent, or Firm* — NSIP Law

(21) Appl. No.: **29/680,095**

(22) Filed: **Feb. 13, 2019**

(57) **CLAIM**

(30) **Foreign Application Priority Data**

Aug. 16, 2018 (KR) ..... 30-2018-0038074  
Aug. 16, 2018 (KR) ..... 30-2018-0038075

We claim the ornamental design for a clothes hanger, as shown and described.

(51) **LOC (12) Cl.** ..... **06-08**

(52) **U.S. Cl.**  
USPC ..... **D6/319**

**DESCRIPTION**

(58) **Field of Classification Search**  
USPC ..... D6/315–328, 512, 513, 552  
CPC ..... A47G 25/14; A47G 25/28; A47G 25/26;  
A47G 25/30; A47G 25/36; A47G 25/50;  
A47G 25/442; A47G 25/483; A47G  
25/743; A47G 25/4023; A47F 5/0006  
See application file for complete search history.

FIG. 1 is a front perspective view of a first embodiment of a clothes hanger showing our new design;  
FIG. 2 is a front view thereof;  
FIG. 3 is a rear view thereof;  
FIG. 4 is a left-side view thereof;  
FIG. 5 is a right-side view thereof;  
FIG. 6 is a top view thereof;  
FIG. 7 is a bottom view thereof;  
FIG. 8 is a front perspective view of a second embodiment of a clothes hanger showing our new design;  
FIG. 9 is a front view thereof;  
FIG. 10 is a rear view thereof;  
FIG. 11 is a left-side view thereof;  
FIG. 12 is a right-side view thereof;  
FIG. 13 is a top view thereof; and,  
FIG. 14 is a bottom view thereof.

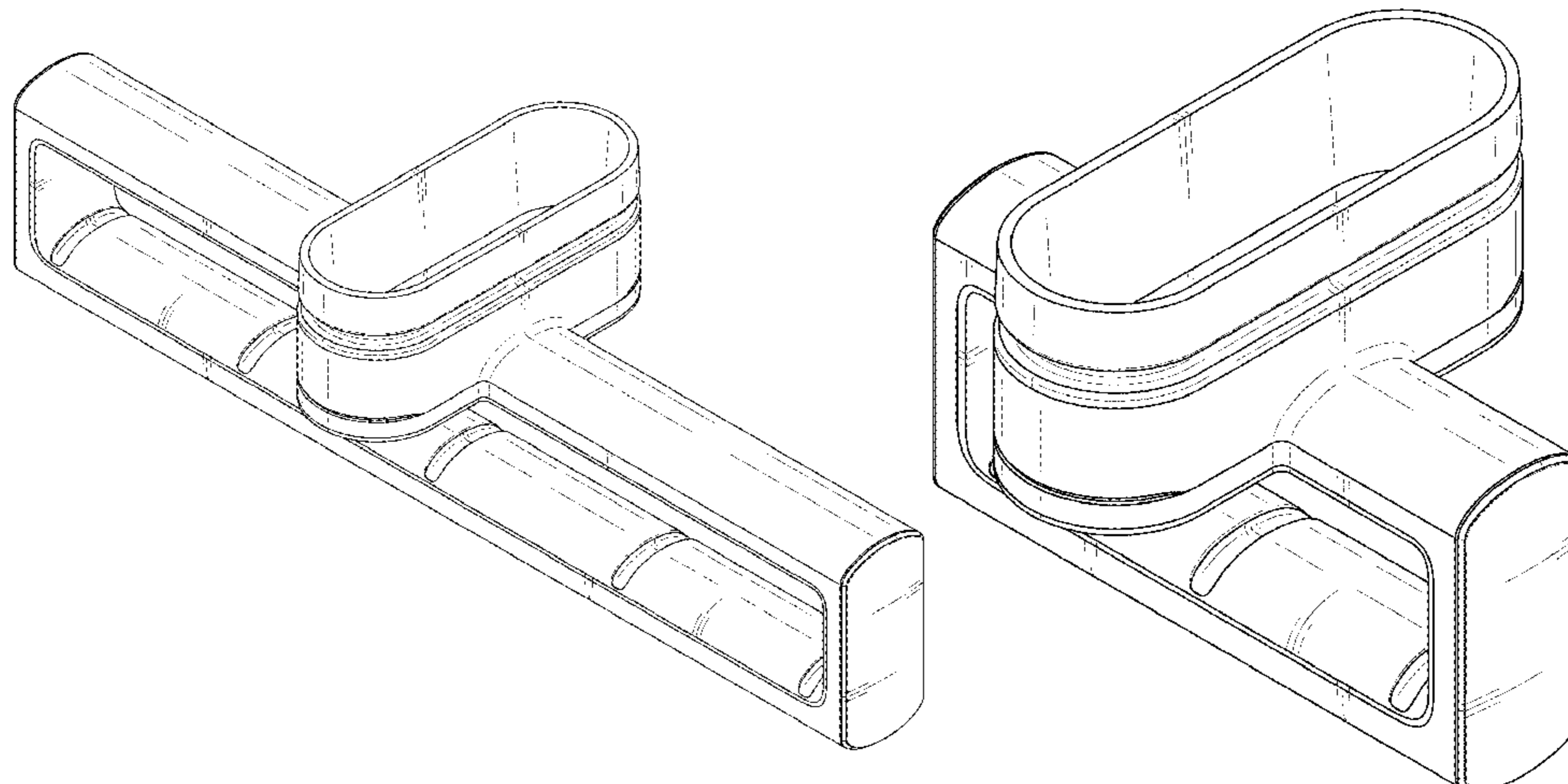
(56) **References Cited**

U.S. PATENT DOCUMENTS

2,426,292 A \* 8/1947 Appleman ..... A47G 25/32  
223/90  
2,452,346 A \* 10/1948 Appleman ..... A47G 25/443  
223/90  
4,045,067 A \* 8/1977 Wieder ..... A47G 25/1457  
294/137  
D432,319 S \* 10/2000 Bartholow ..... D6/319

(Continued)

**1 Claim, 14 Drawing Sheets**



(56)

**References Cited**

U.S. PATENT DOCUMENTS

7,131,545 B1 \* 11/2006 Grogan ..... A47G 23/0208  
211/85.29  
D573,825 S \* 7/2008 Rubin ..... D6/546  
D647,709 S \* 11/2011 Anderson ..... D6/315  
10,357,106 B1 \* 7/2019 Lee ..... A47B 61/003  
2008/0277362 A1 \* 11/2008 White ..... A47B 43/006  
211/85.7  
2018/0169502 A1 \* 6/2018 Reed, Jr. .... A63B 57/20

OTHER PUBLICATIONS

Shin Seong-cheol "Jang Dong Gun's stylist? 'LG Trom Styler' clothing manager" [2011] www.it.chosun.com Mar. 29, 2011<<http://it.chosun.com/news/article.html?no=1928914>>.

"[CES2018] "Dress and room management at once" . . . Cway clothing cleaner popular" [2018] www.asiae.co.kr Sep. 9, 2018 <<http://www.asiae.co.kr/news/view.htm?sec=plus2&idxno=2018011108481091654&pidx=2018010311345408297A>>.

\* cited by examiner

FIG. 1

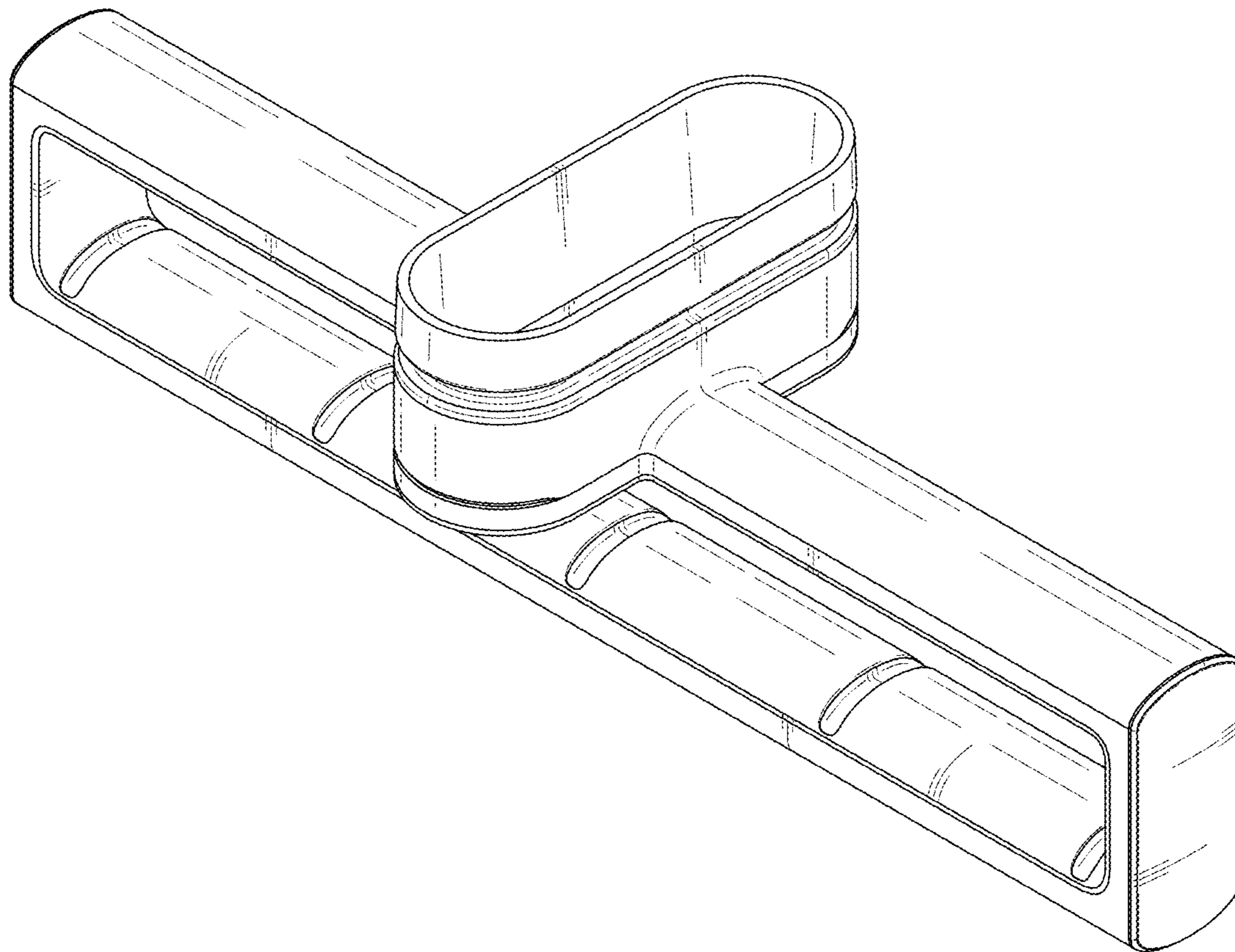


FIG. 2

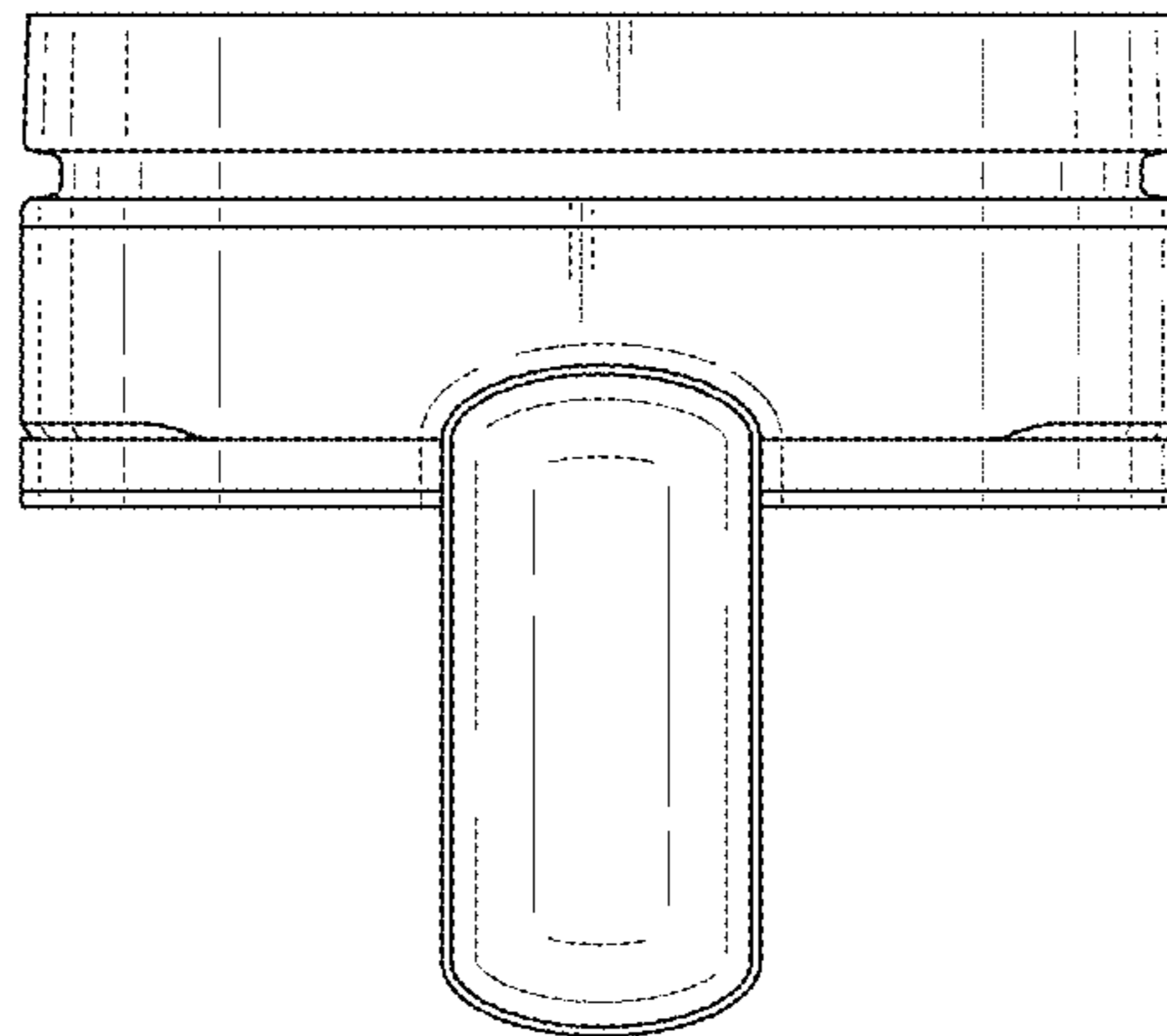


FIG. 3

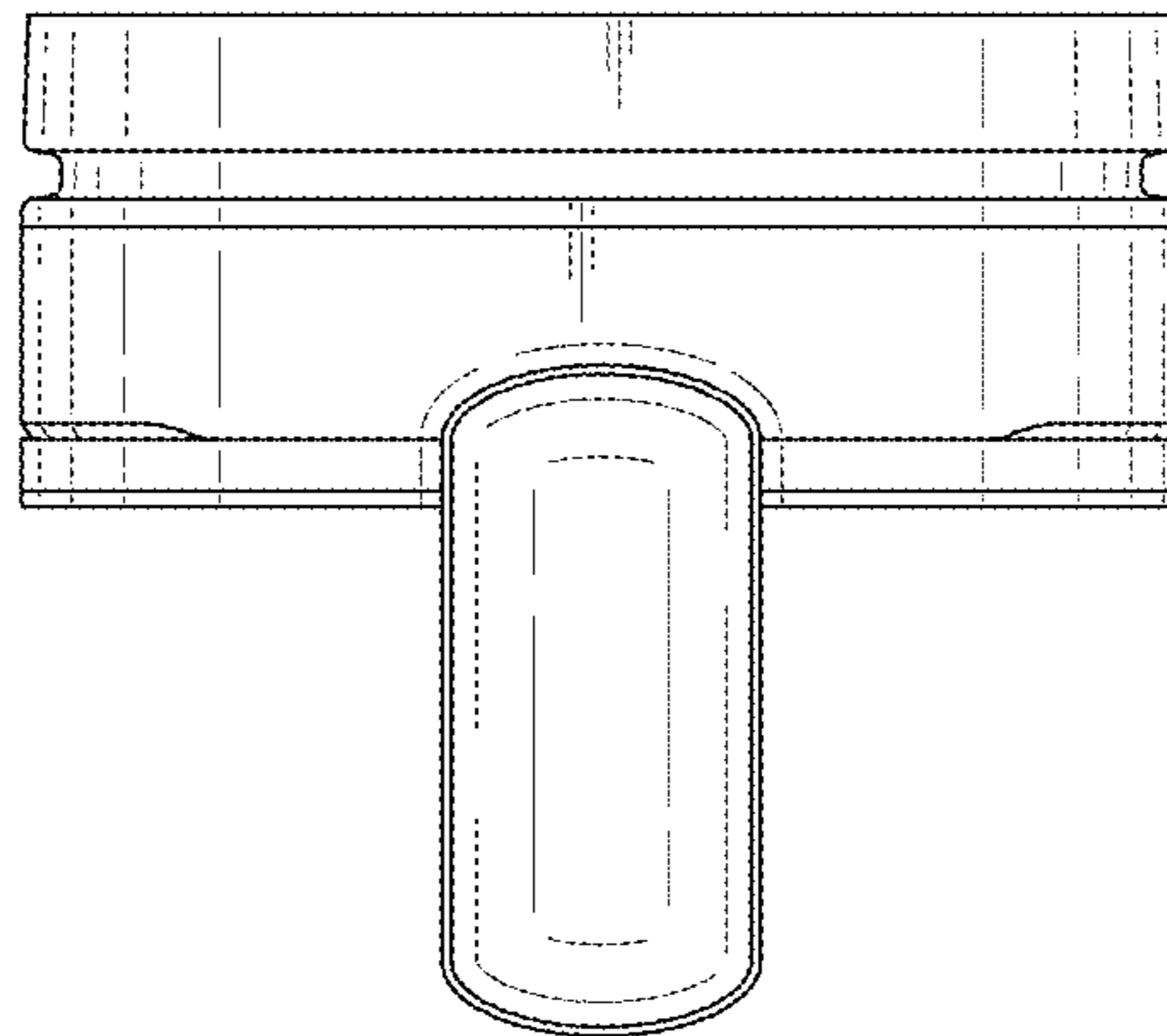


FIG. 4

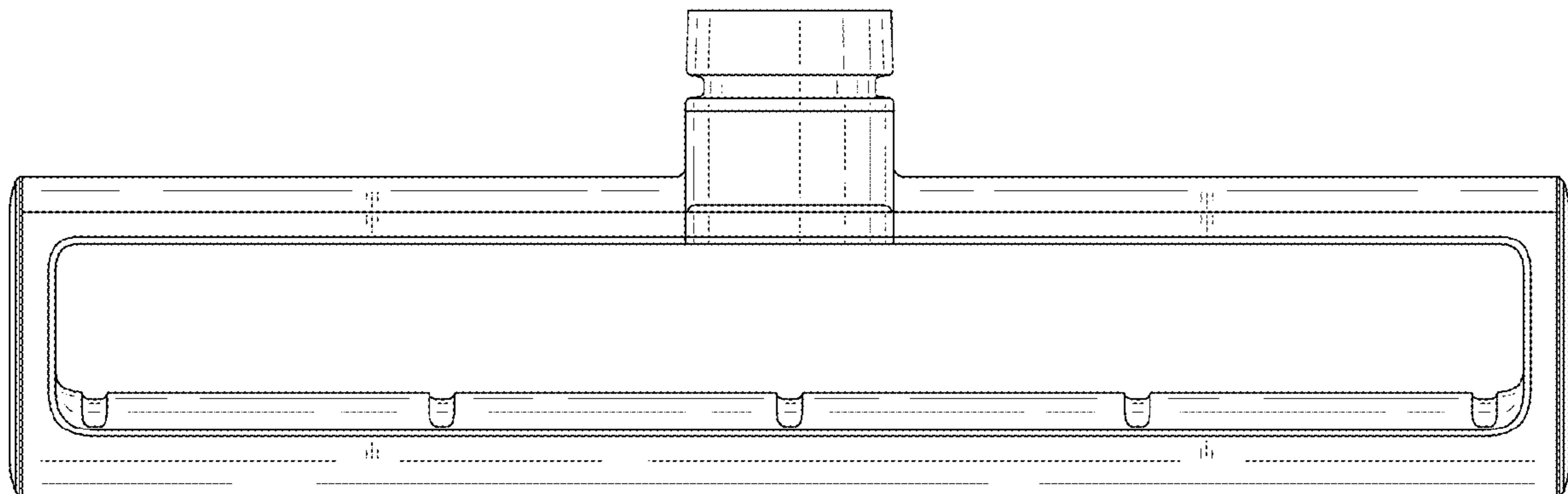


FIG. 5

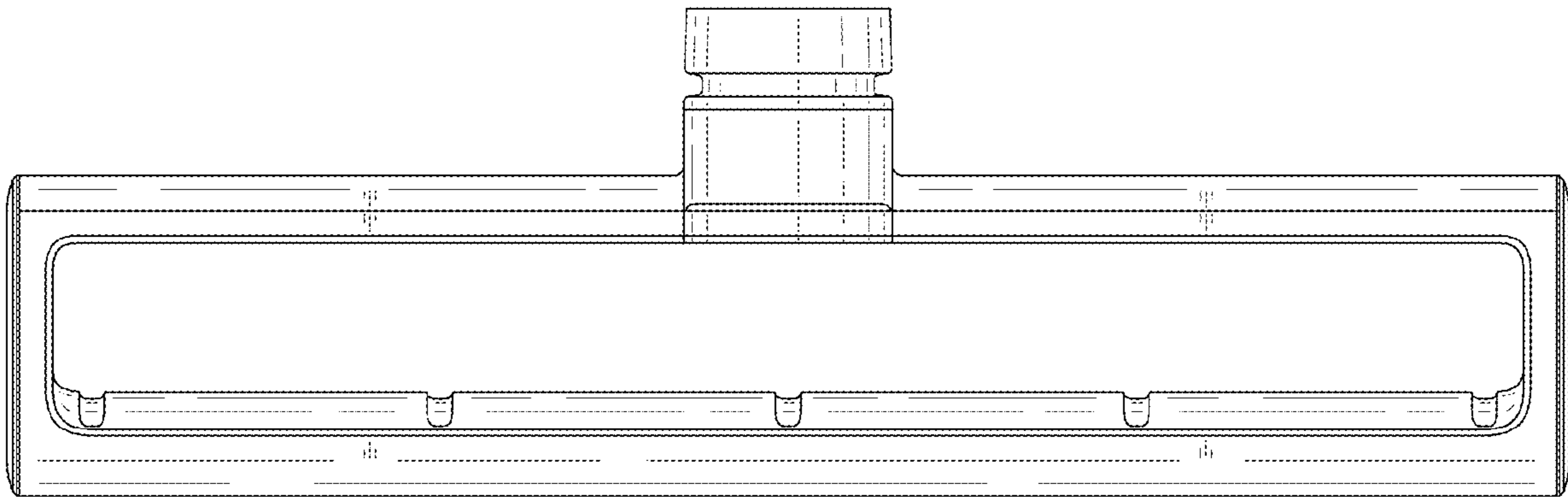


FIG. 6

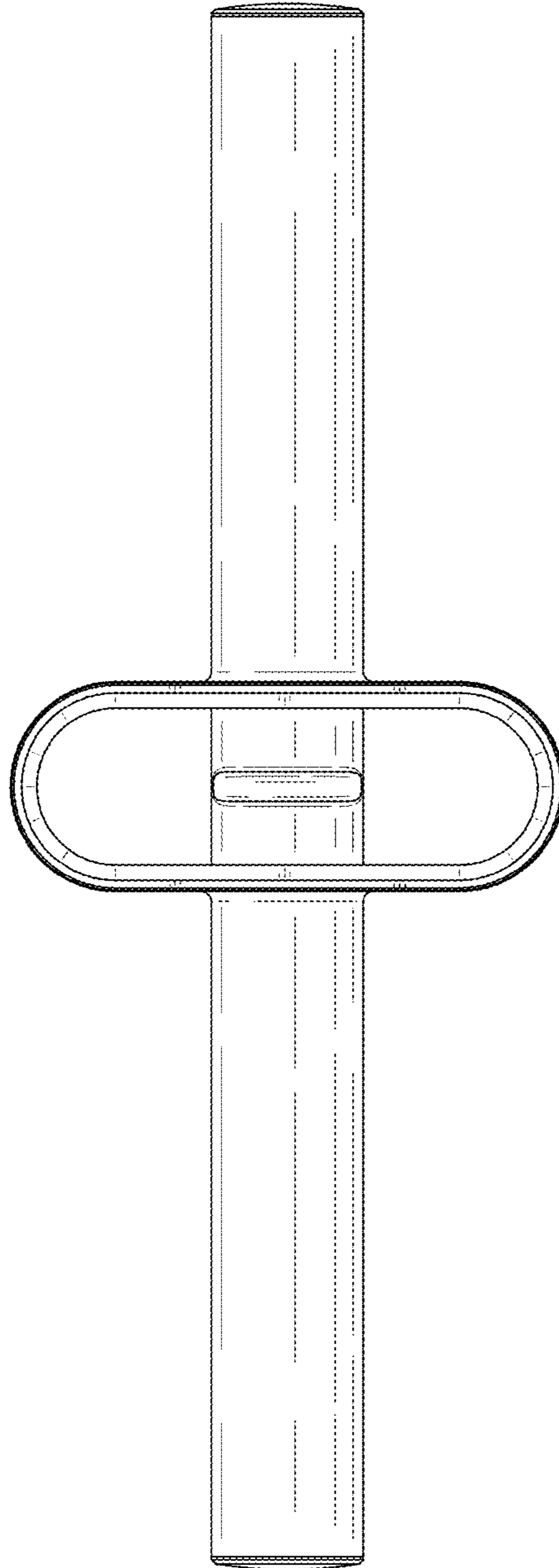




FIG. 7

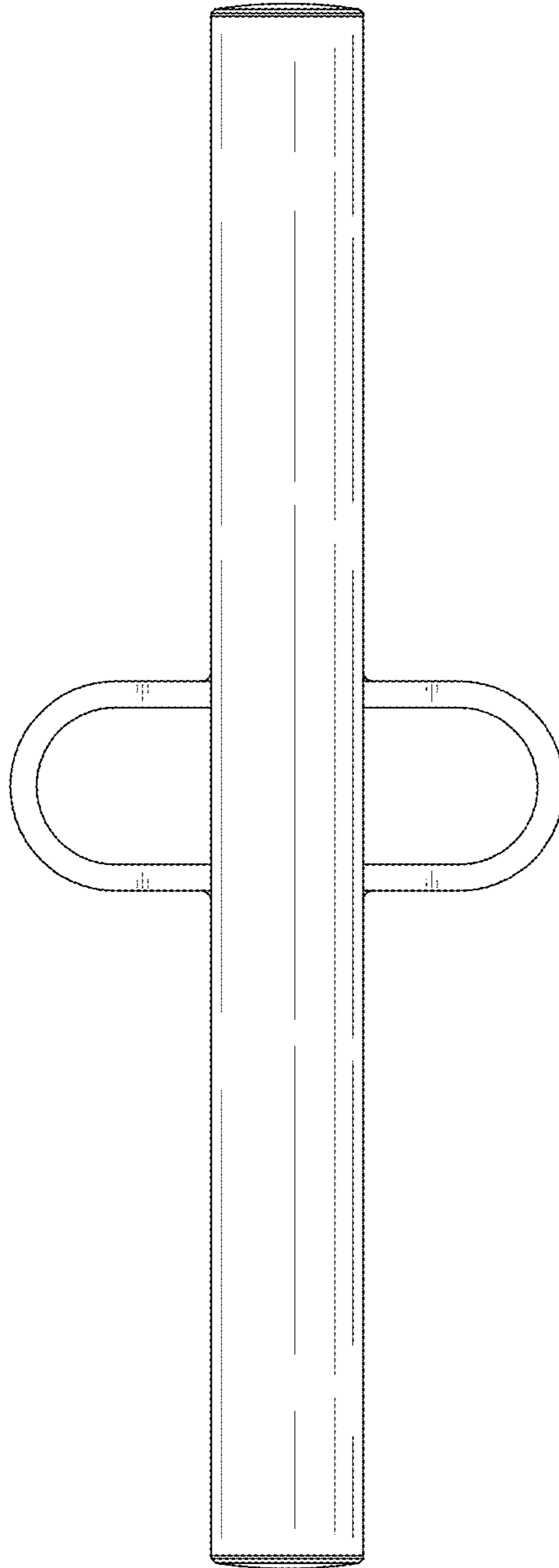


FIG. 8

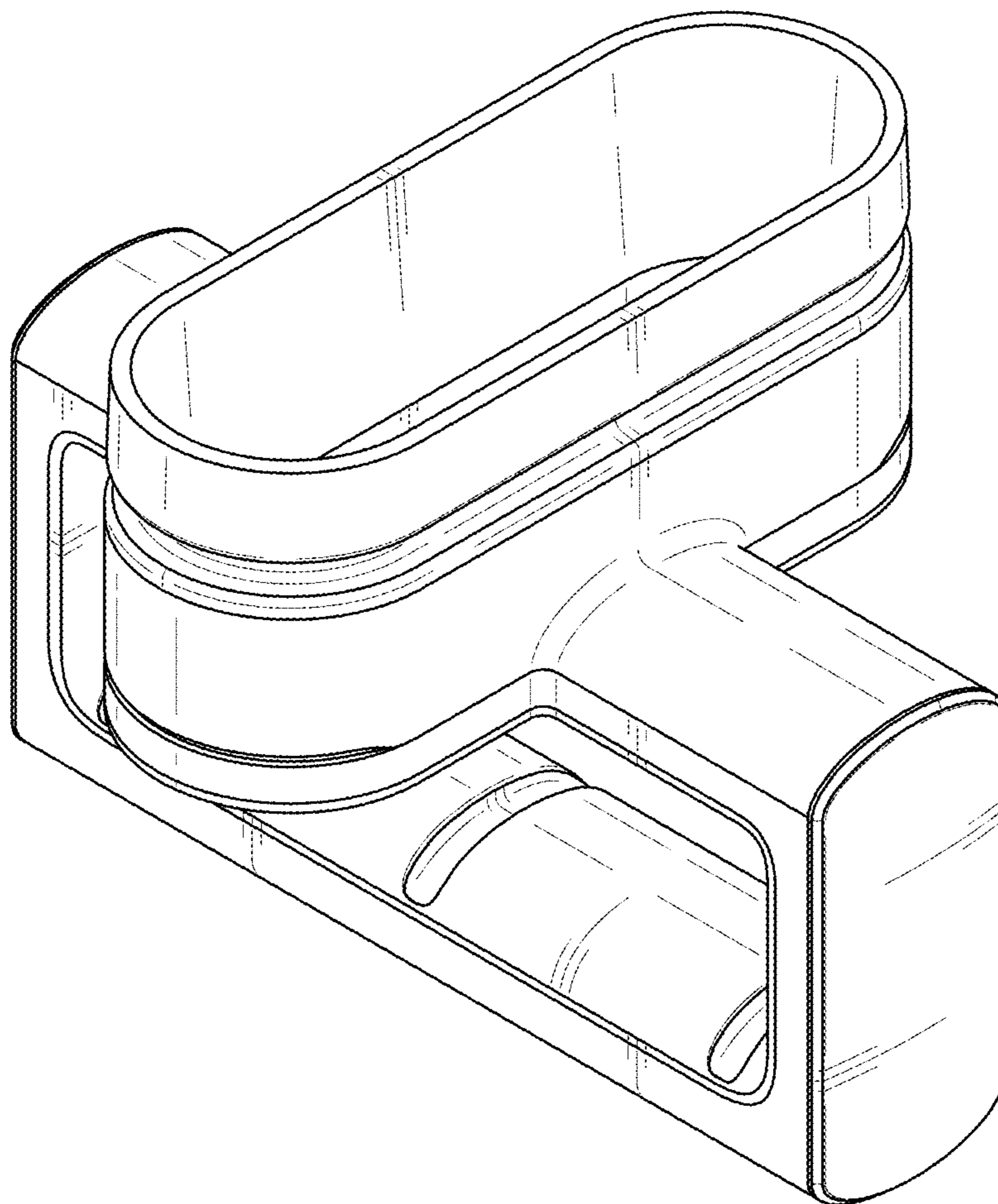


FIG. 9

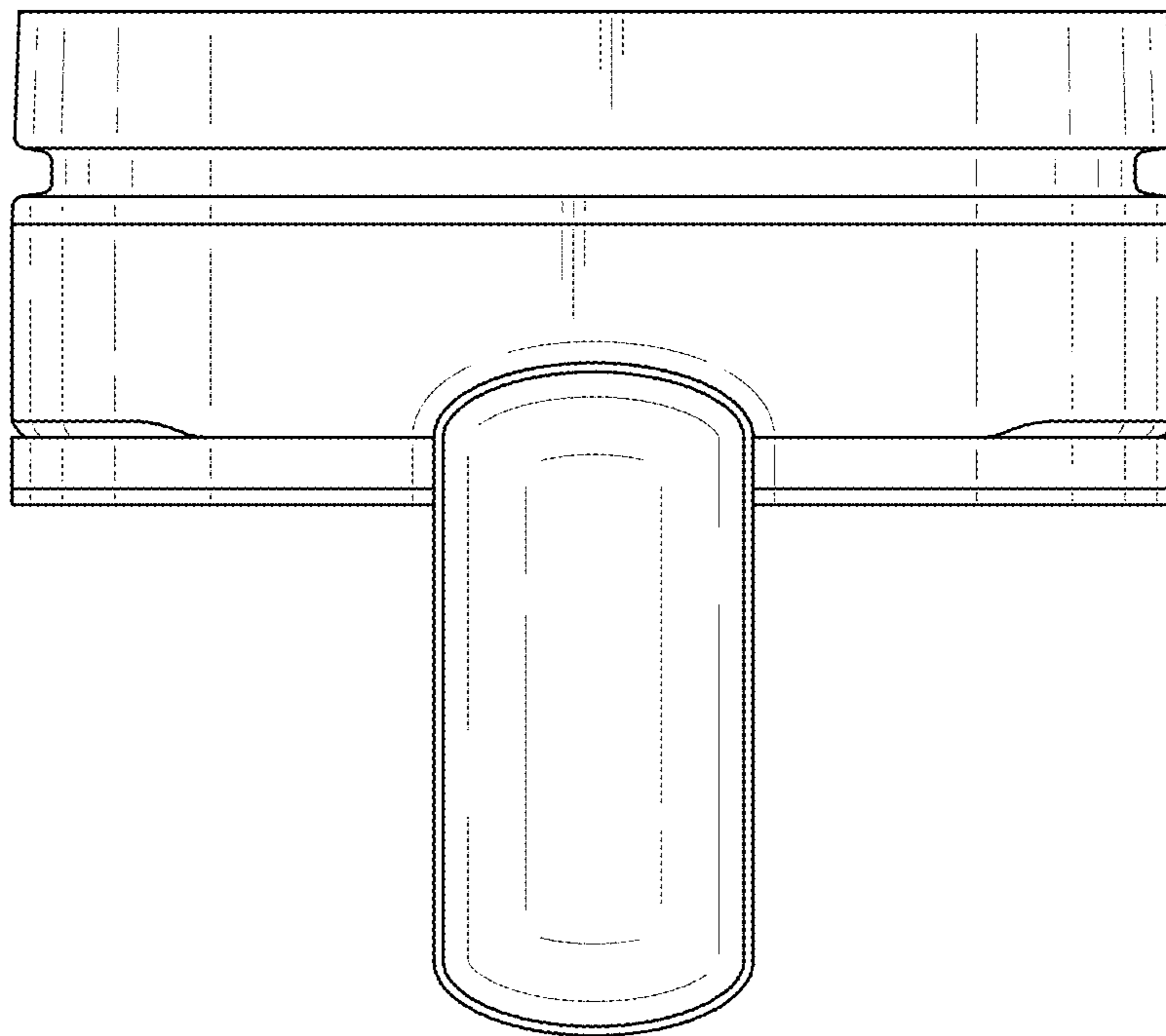


FIG. 10

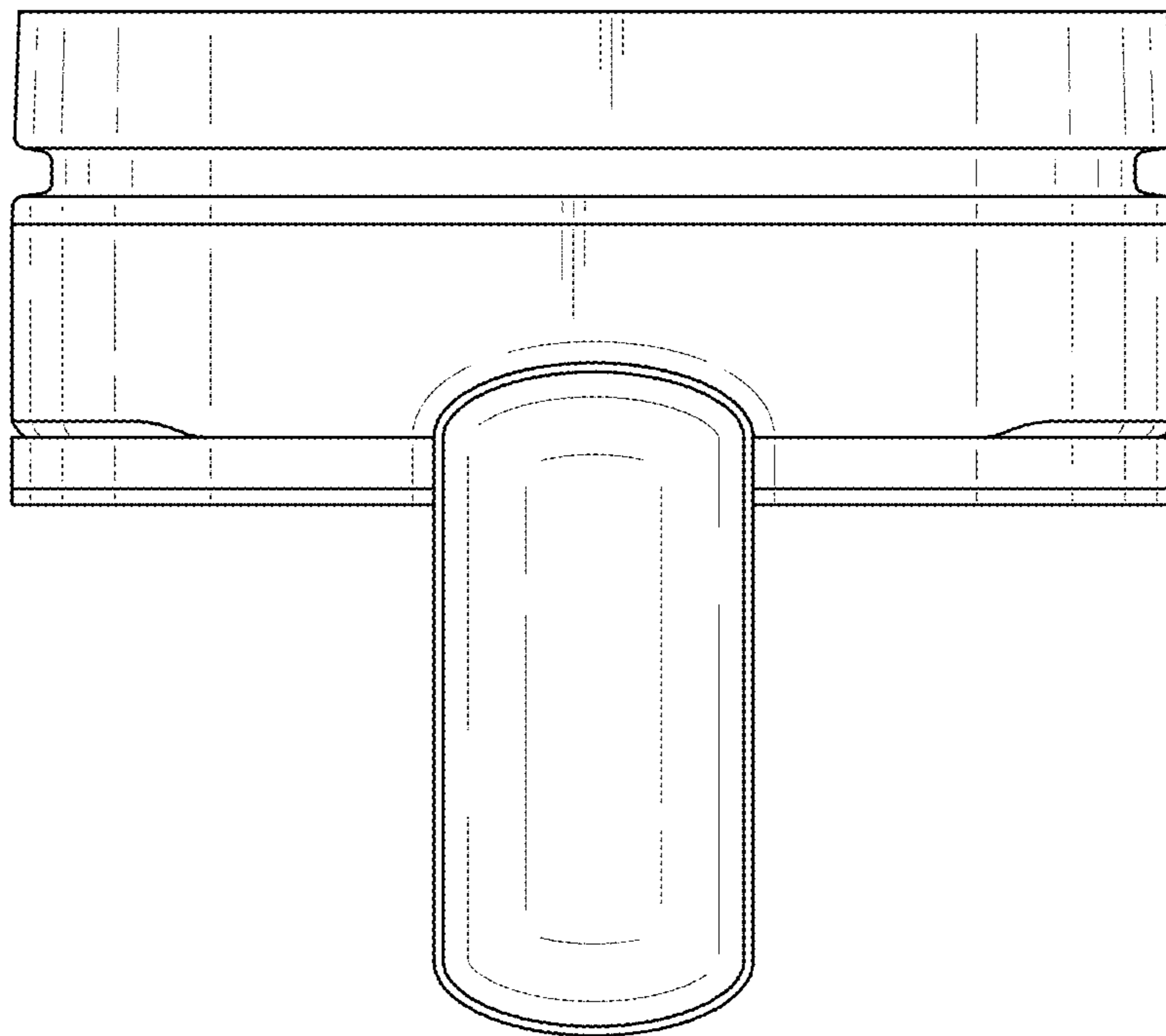


FIG. 11

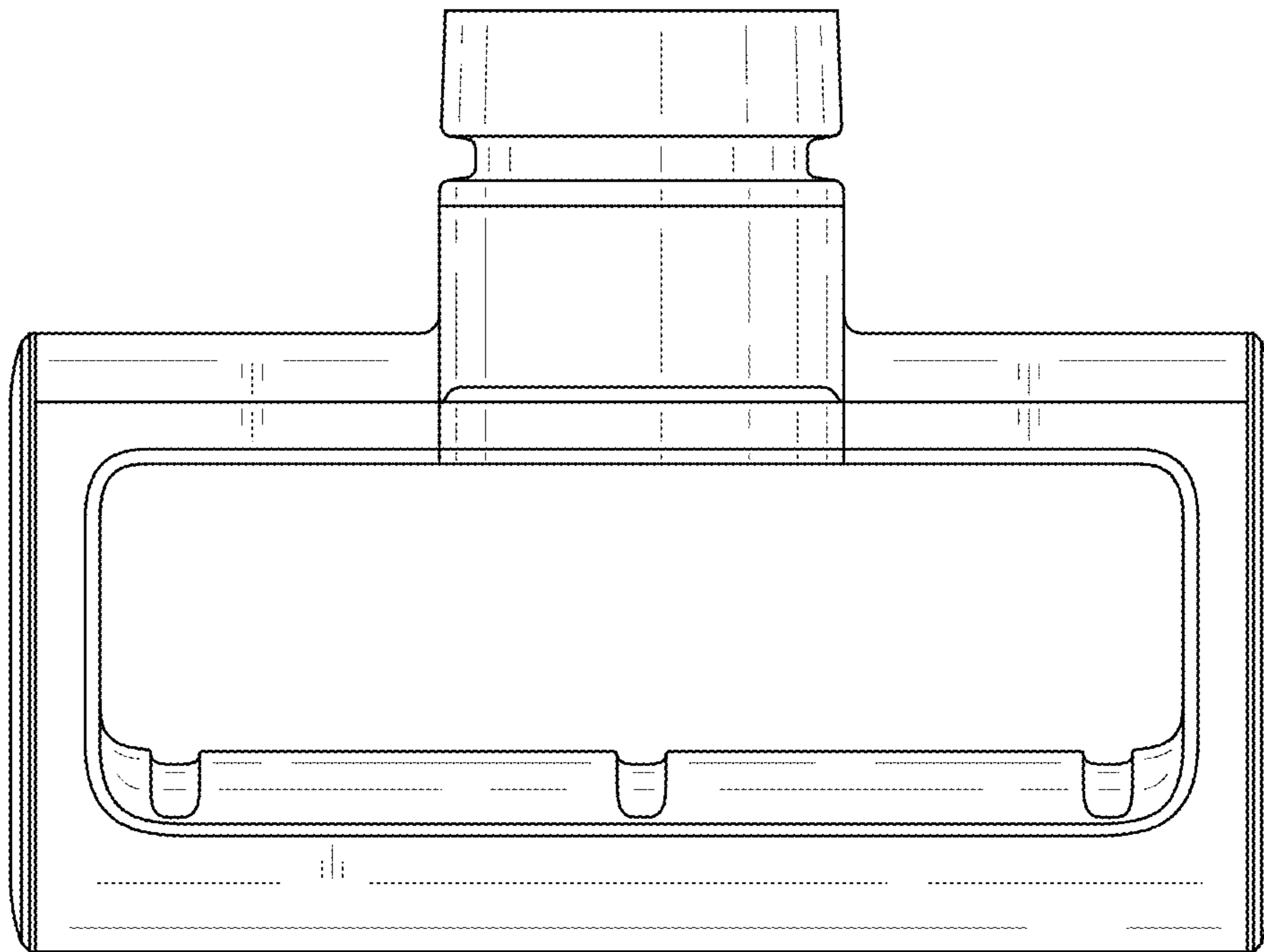


FIG. 12

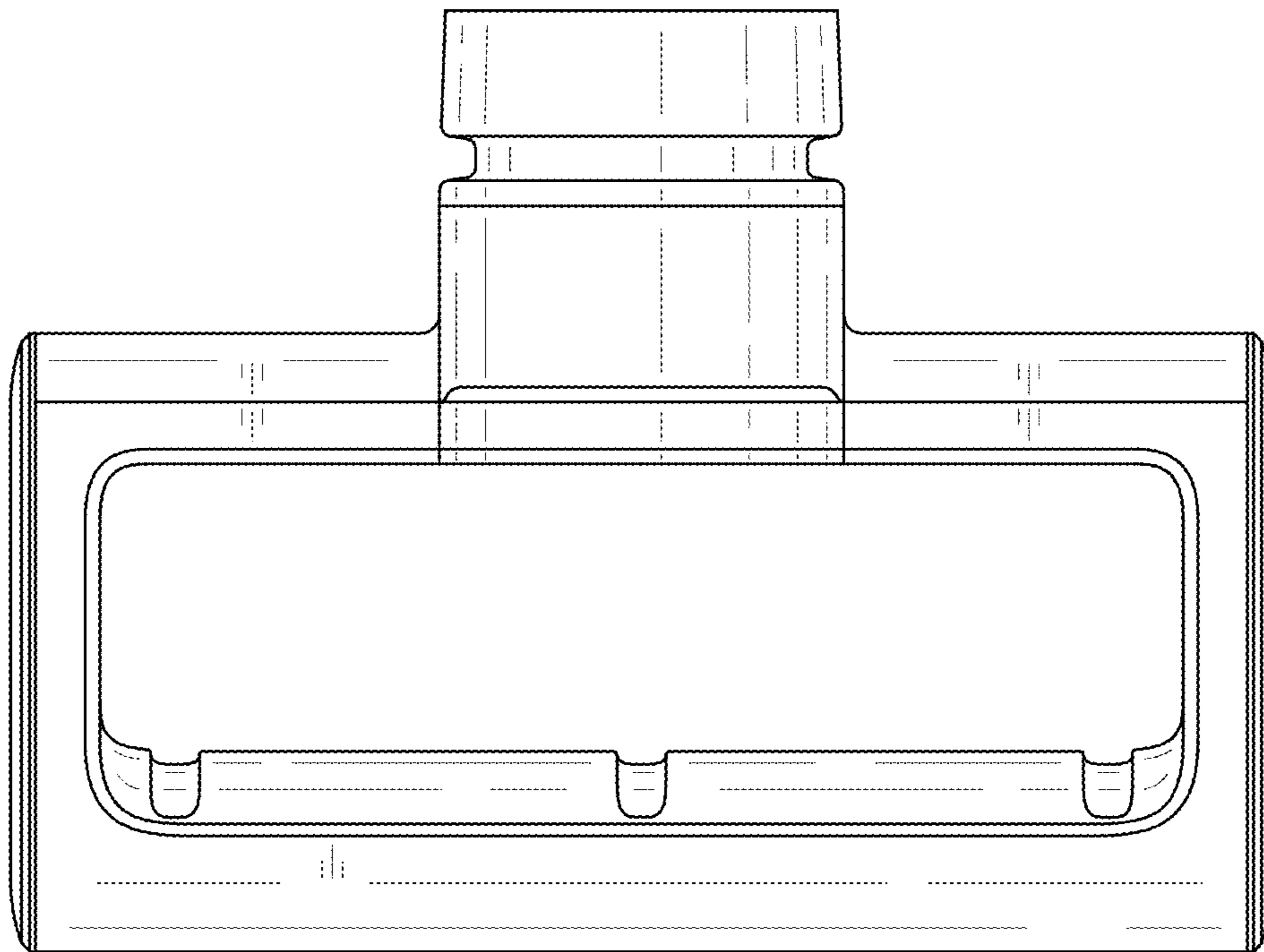


FIG. 13

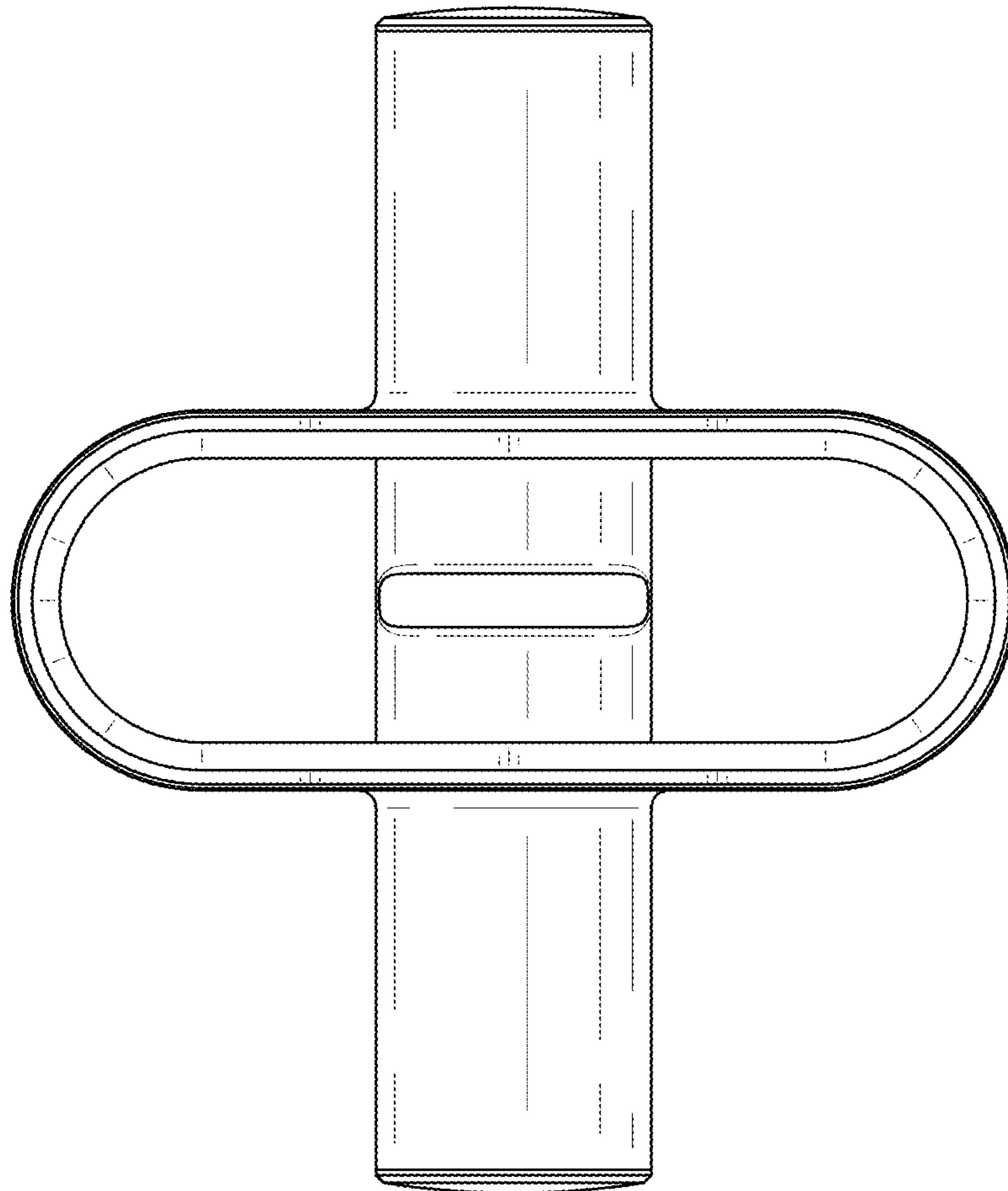


FIG. 14

