



US00D884367S

(12) **United States Design Patent**
Gao

(10) **Patent No.:** **US D884,367 S**

(45) **Date of Patent:** **** May 19, 2020**

(54) **SMART PHOTO FRAME**
(71) Applicant: **SHENZHEN LENKENG TECHNOLOGY CO., LTD.**,
Shenzhen, Guangdong Province (CN)
(72) Inventor: **Binghai Gao**, Shenzhen (CN)
(73) Assignee: **SHENZHEN LENKENG TECHNOLOGY CO., LTD.**,
Shenzhen, Guangdong Province (CN)
(**) Term: **15 Years**

D559,553 S *	1/2008	Mischel, Jr.	D6/300
D575,531 S *	8/2008	Paterson	D6/300
D610,356 S *	2/2010	Hoehn	D6/310
D625,929 S *	10/2010	Mitchell	D14/371
D634,131 S *	3/2011	Utsunomiya	D6/308
D677,474 S *	3/2013	Harris	D6/310
D719,744 S *	12/2014	Plumbo	D6/300
D735,480 S *	8/2015	Fallon	D6/308
D805,309 S *	12/2017	Moyer	D6/308
D811,752 S *	3/2018	Ross, III	D6/300
D818,723 S *	5/2018	Moyer	D6/308
D839,001 S *	1/2019	Berrios	D6/311
D854,343 S *	7/2019	Altemimei	D6/300
D862,909 S *	10/2019	Zhou	D6/308
2009/0147155 A1 *	6/2009	Hsu	G06F 1/1601 348/836

(21) Appl. No.: **29/678,767**
(22) Filed: **Jan. 30, 2019**
(51) **LOC (12) Cl.** **06-06**
(52) **U.S. Cl.**
USPC **D6/308**; D14/371
(58) **Field of Classification Search**
USPC D6/300-314; D10/15, 21, 24; D14/336,
D14/371, 374, 375
CPC G09G 2380/16
See application file for complete search history.

* cited by examiner

Primary Examiner — Deanna L Pratt
(74) *Attorney, Agent, or Firm* — Cheng-Ju Chiang

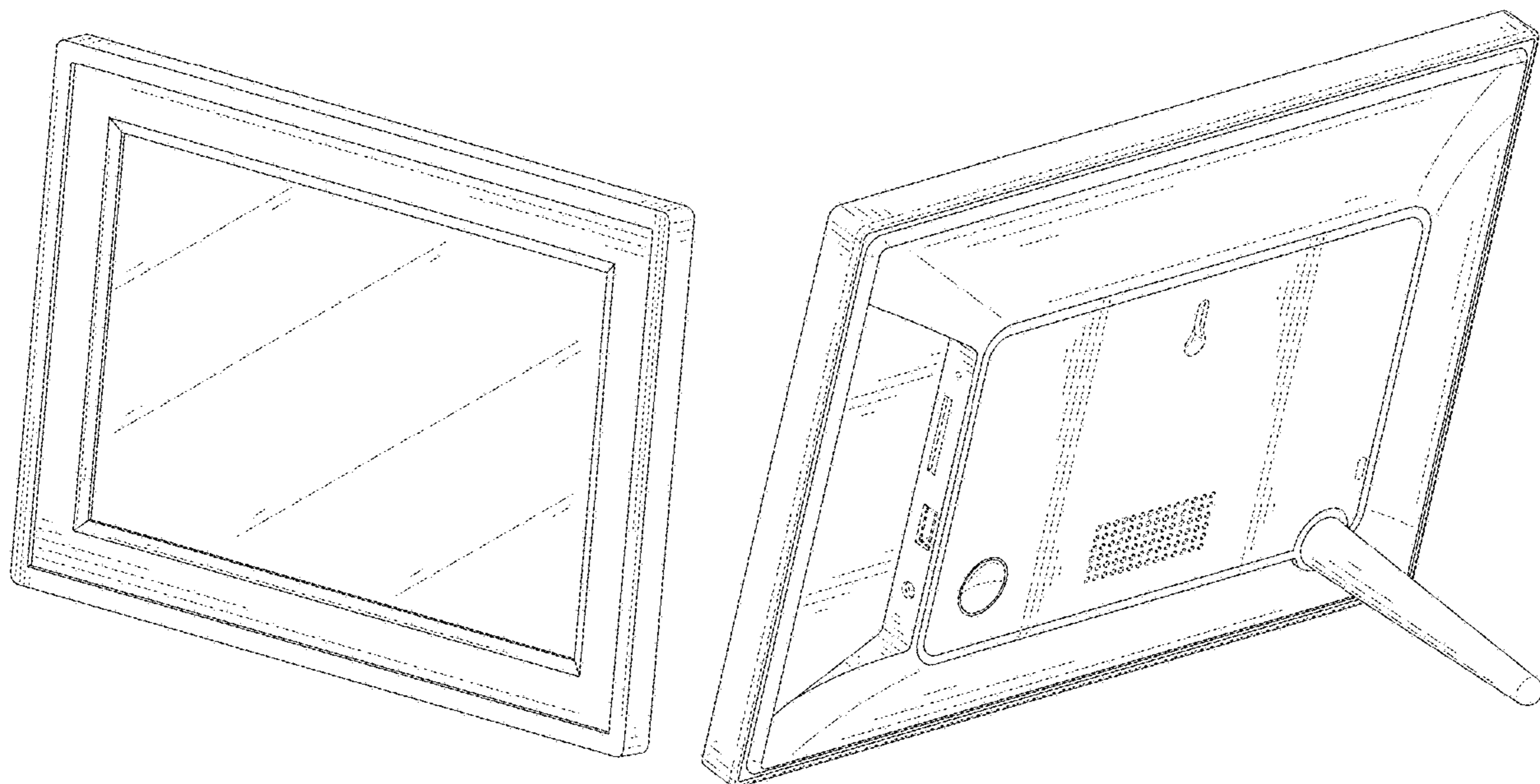
(56) **References Cited**
U.S. PATENT DOCUMENTS
899,329 A * 9/1908 Sborigi A47G 1/06
40/765
D168,325 S * 12/1952 Abrams D6/300
D172,278 S * 5/1954 Helms D6/300
2,791,051 A * 5/1957 Scheyer A47G 1/162
40/763
D213,882 S * 4/1969 Sonnenblick D6/300
D269,838 S * 7/1983 Altonaga D25/119
D358,037 S * 5/1995 Monroe D6/300
D480,221 S * 10/2003 Luciano D6/300

(57) **CLAIM**
The ornamental design for a smart photo frame, as shown and described.

DESCRIPTION

FIG. 1 is a perspective view of a smart photo frame showing the new design;
FIG. 2 is the other perspective view thereof;
FIG. 3 is a front view thereof;
FIG. 4 is a rear view thereof;
FIG. 5 is a left side view thereof;
FIG. 6 is a right side view thereof;
FIG. 7 is a top view thereof; and,
FIG. 8 is a bottom view thereof.
The broken lines illustrate portions of the smart photo frame that form no part of the claimed design.

1 Claim, 8 Drawing Sheets



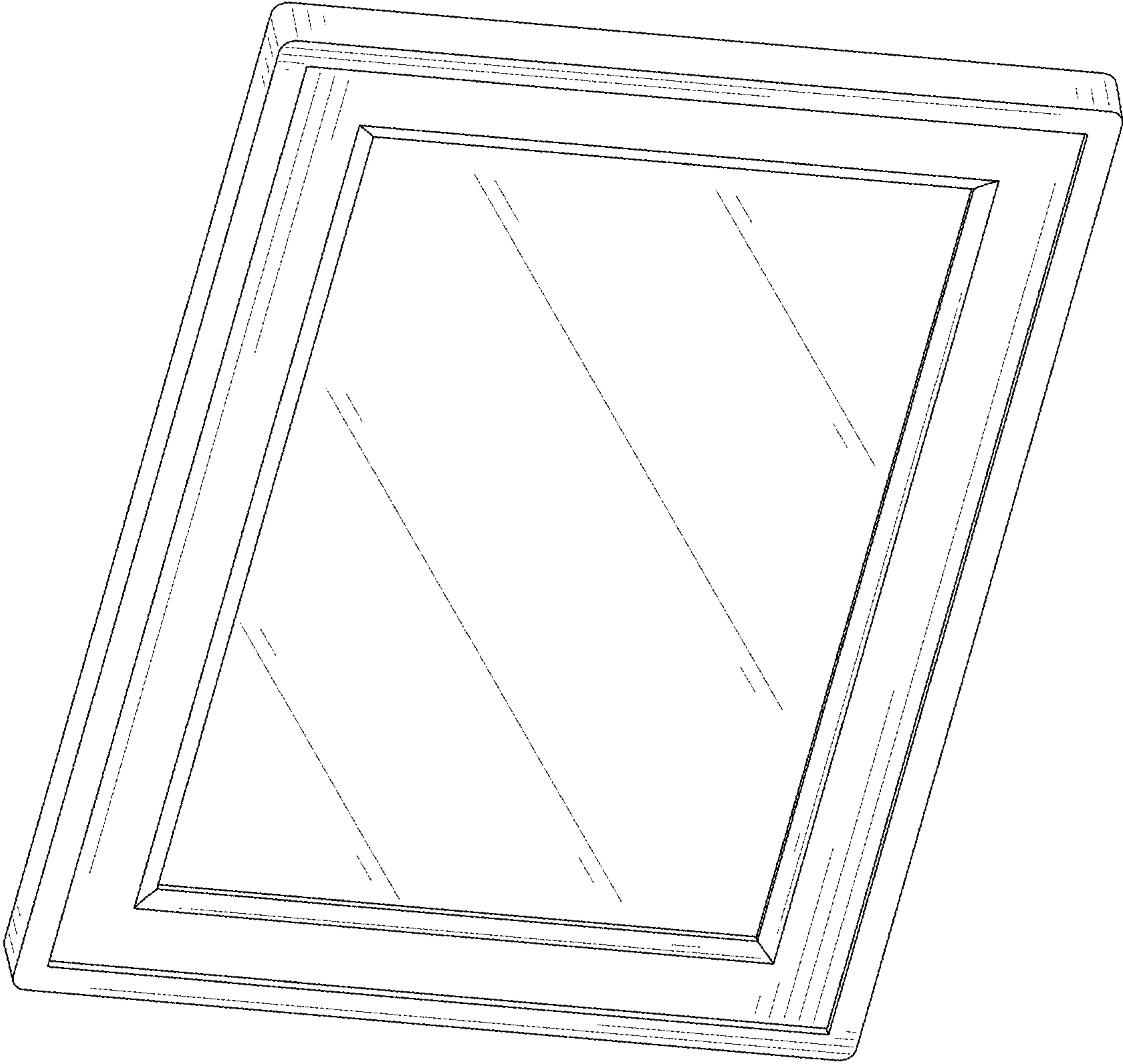


FIG. 1

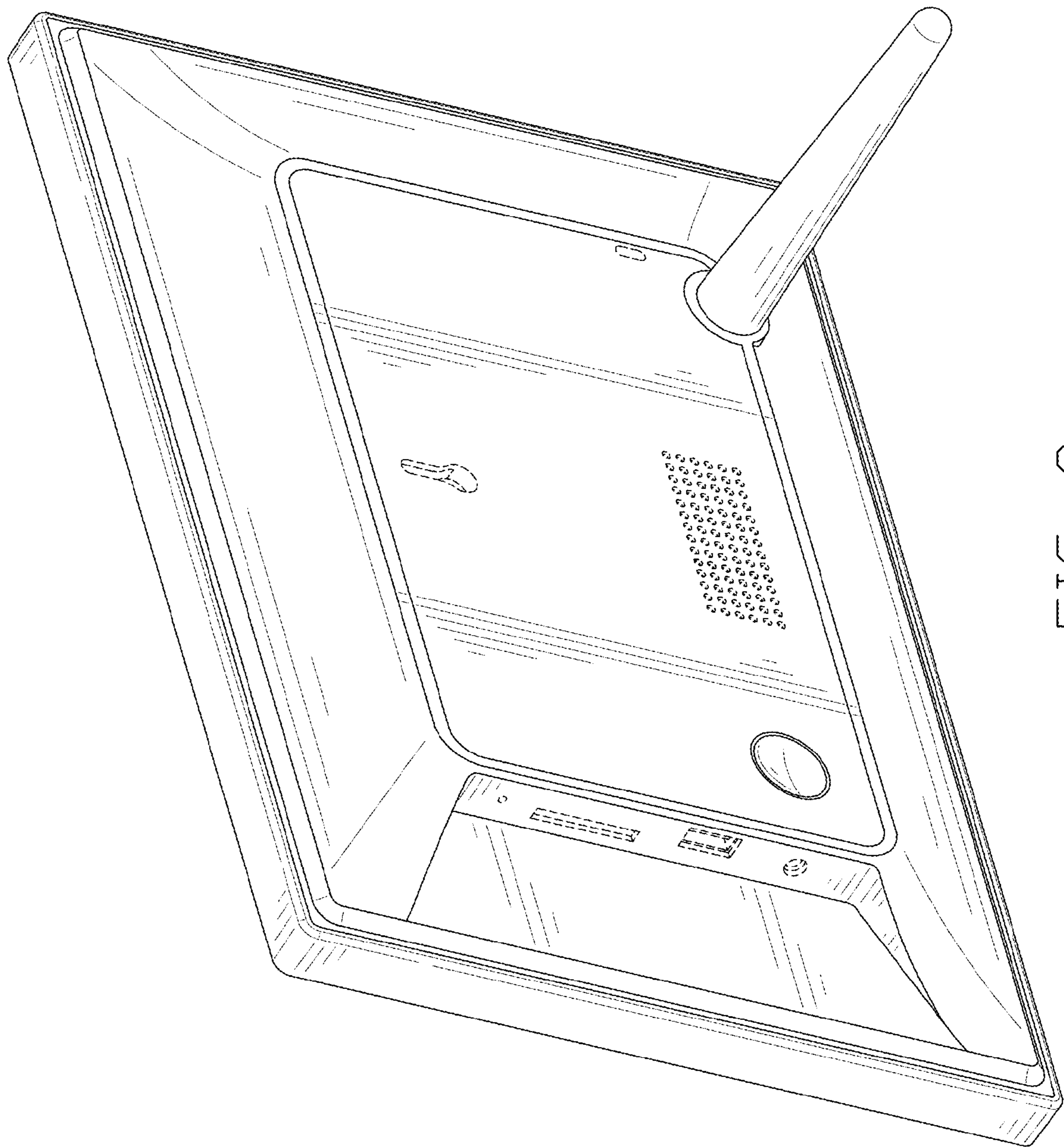


FIG. 2

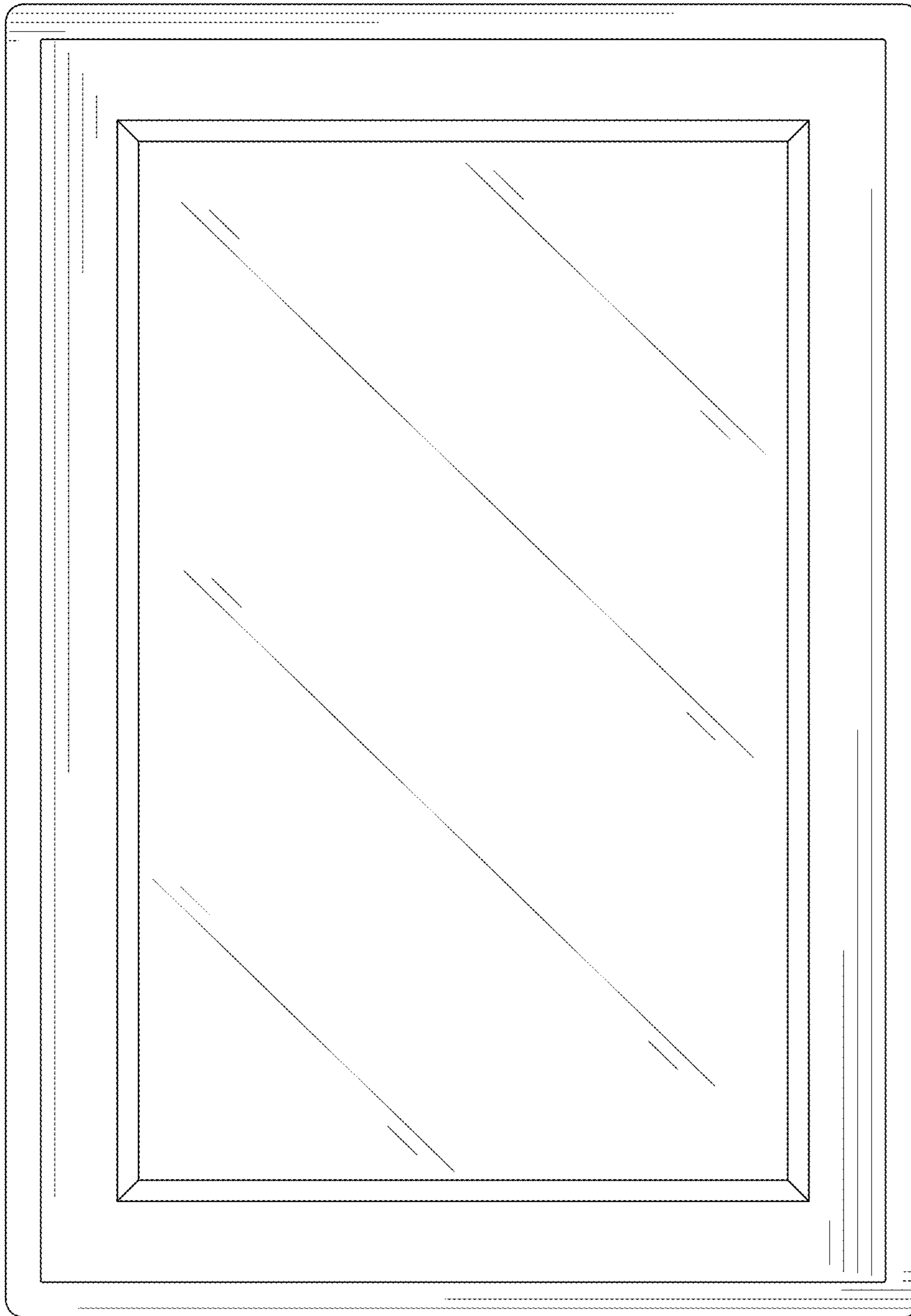


FIG. 3

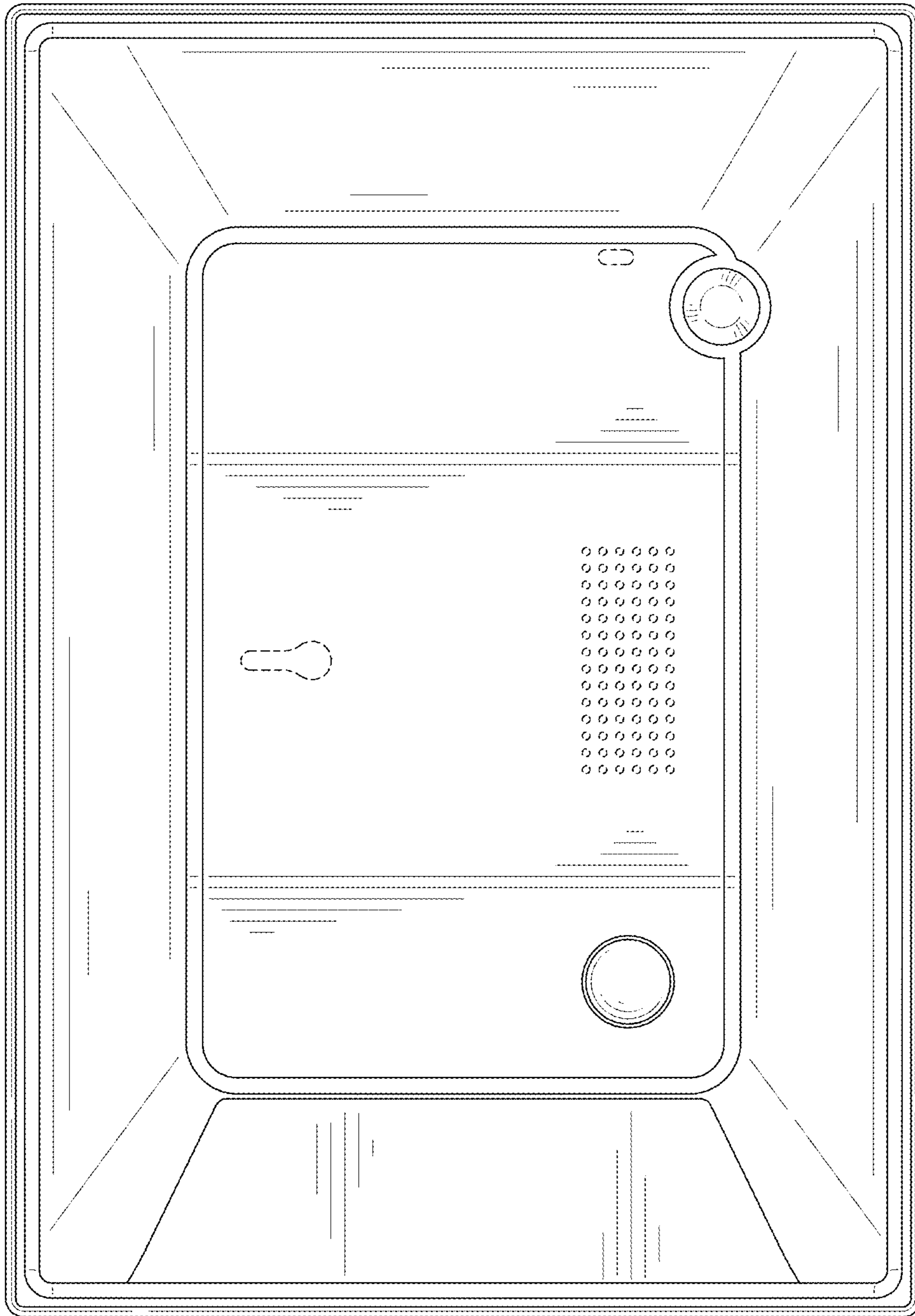


FIG. 4

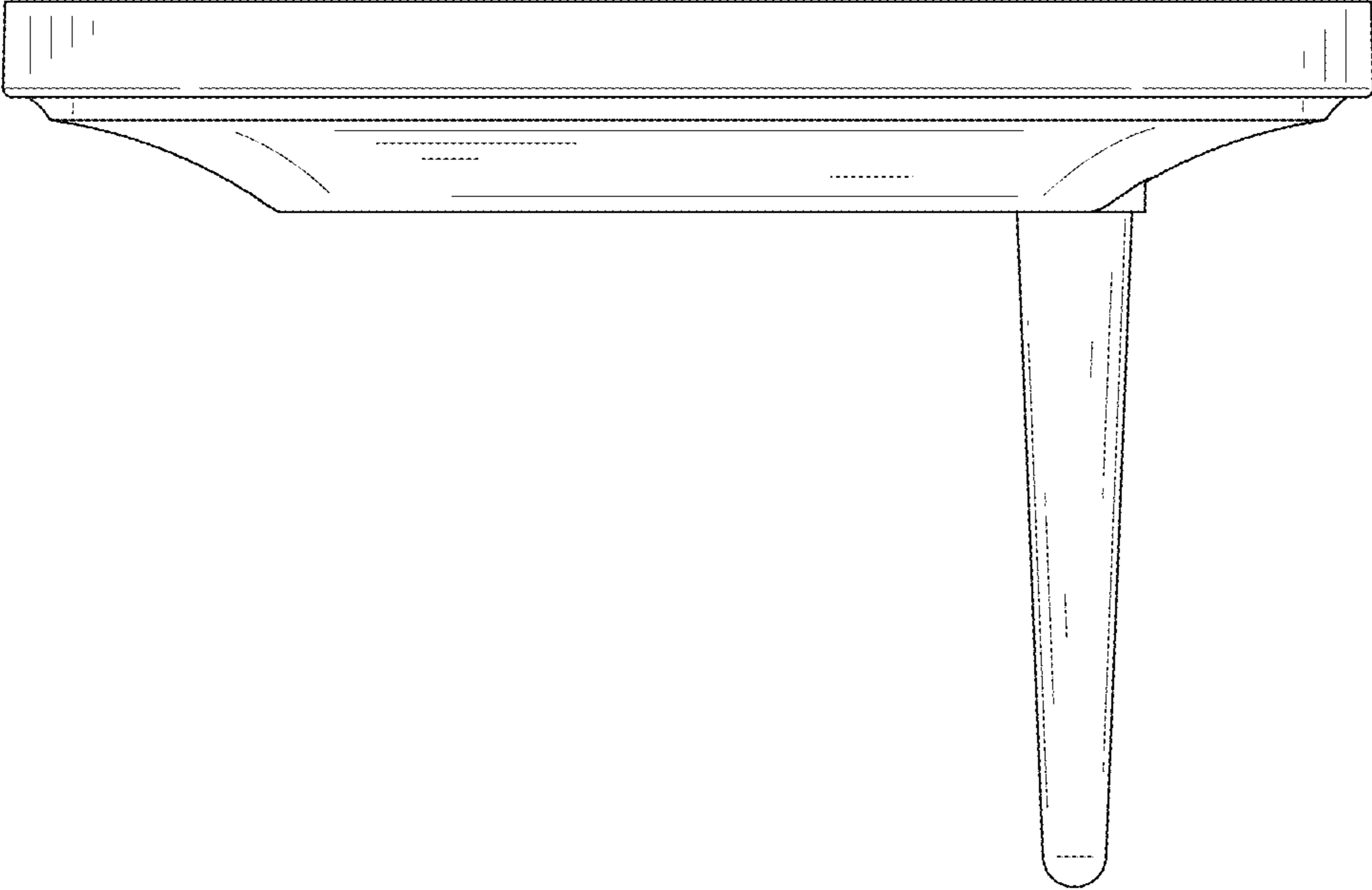


FIG. 5

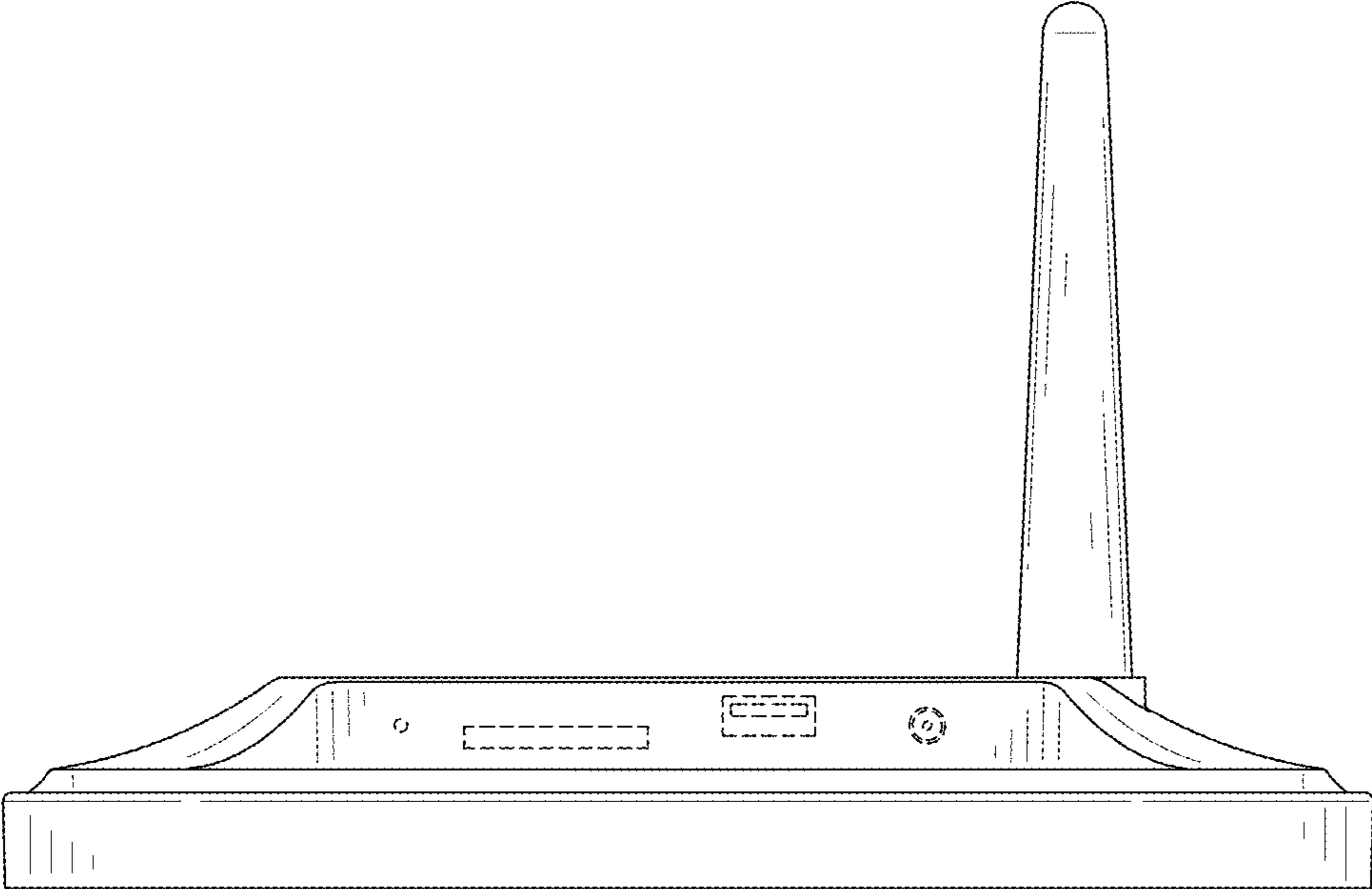


FIG. 6

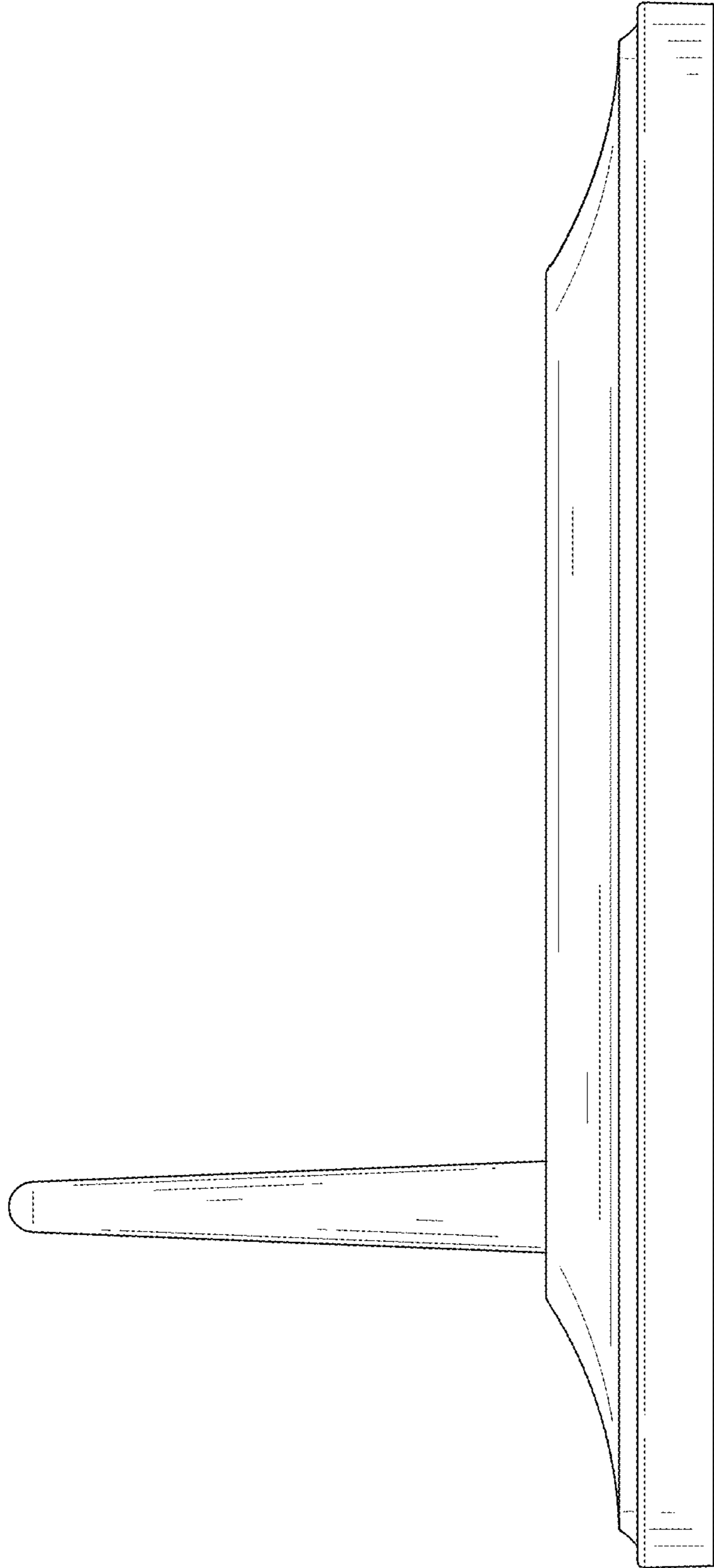


FIG. 7

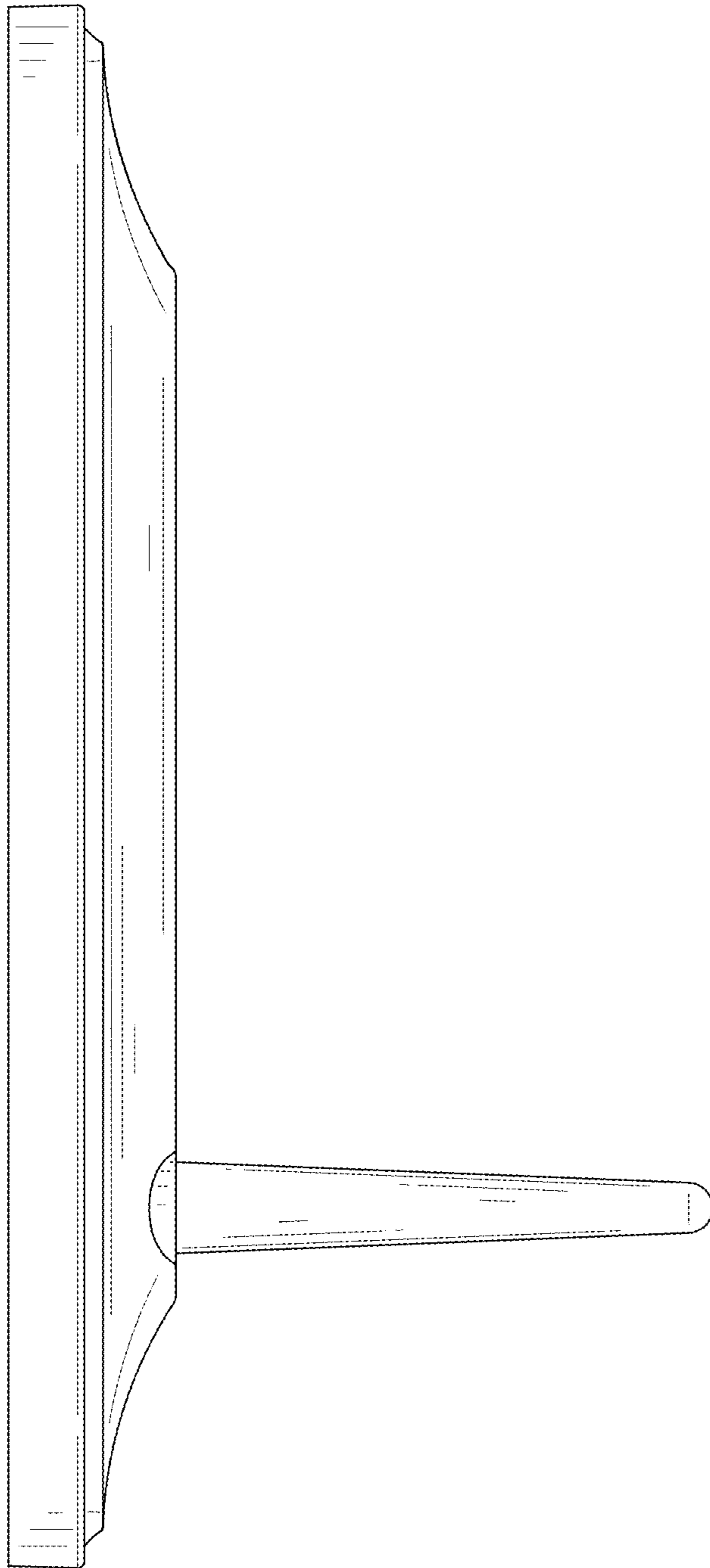


FIG. 8