



US00D884366S

(12) **United States Design Patent**
Gao

(10) **Patent No.:** **US D884,366 S**

(45) **Date of Patent:** **** May 19, 2020**

(54) **SMART PHONE FRAME**

(71) Applicant: **Shenzhen Lenkeng Technology Limited**, Shenzhen, Guangdong Province (CN)

(72) Inventor: **Binghai Gao**, Shenzhen (CN)

(73) Assignee: **SHENZHEN LENKENG TECHNOLOGY LIMITED**, Shenzhen, Guangdong Province (CN)

(**) Term: **15 Years**

(21) Appl. No.: **29/659,585**

(22) Filed: **Aug. 9, 2018**

(30) **Foreign Application Priority Data**

Mar. 22, 2018 (CN) 2018 3 0108981

(51) **LOC (12) Cl.** **06-06**

(52) **U.S. Cl.**
USPC **D6/308; D14/371**

(58) **Field of Classification Search**
USPC D6/300-314; D10/15, 21, 24; D14/336, D14/371, 374, 375

CPC G09G 2380/16
See application file for complete search history.

(56) **References Cited**

U.S. PATENT DOCUMENTS

- 899,329 A * 9/1908 Sborigi A47G 1/06 40/765
- D168,325 S * 12/1952 Abrams D6/300
- D172,278 S * 5/1954 Helms D6/300
- 2,791,051 A * 5/1957 Scheyer A47G 1/162 40/763
- D213,882 S * 4/1969 Sonnenblick D6/300
- D269,838 S * 7/1983 Altonaga D25/119

- D358,037 S * 5/1995 Monroe D6/300
- D480,221 S * 10/2003 Luciano D6/300
- D559,553 S * 1/2008 Mischel, Jr. D6/300
- D575,531 S * 8/2008 Paterson D6/300
- D610,356 S * 2/2010 Hoehn D6/310
- D625,929 S * 10/2010 Mitchell D14/371
- D634,131 S * 3/2011 Utsunomiya D6/308
- D677,474 S * 3/2013 Harris D6/310
- D719,744 S * 12/2014 Plumbo D6/300
- D735,480 S * 8/2015 Fallon D6/308
- D805,309 S * 12/2017 Moyer D6/308
- D811,752 S * 3/2018 Ross, III D6/300
- D818,723 S * 5/2018 Moyer D6/308
- D839,001 S * 1/2019 Berrios D6/311
- D854,343 S * 7/2019 Altemimei D6/300
- D862,909 S * 10/2019 Zhou D6/308
- 2009/0147155 A1 * 6/2009 Hsu G06F 1/1601 348/836

* cited by examiner

Primary Examiner — Deanna L Pratt

(74) *Attorney, Agent, or Firm* — Cheng-Ju Chiang

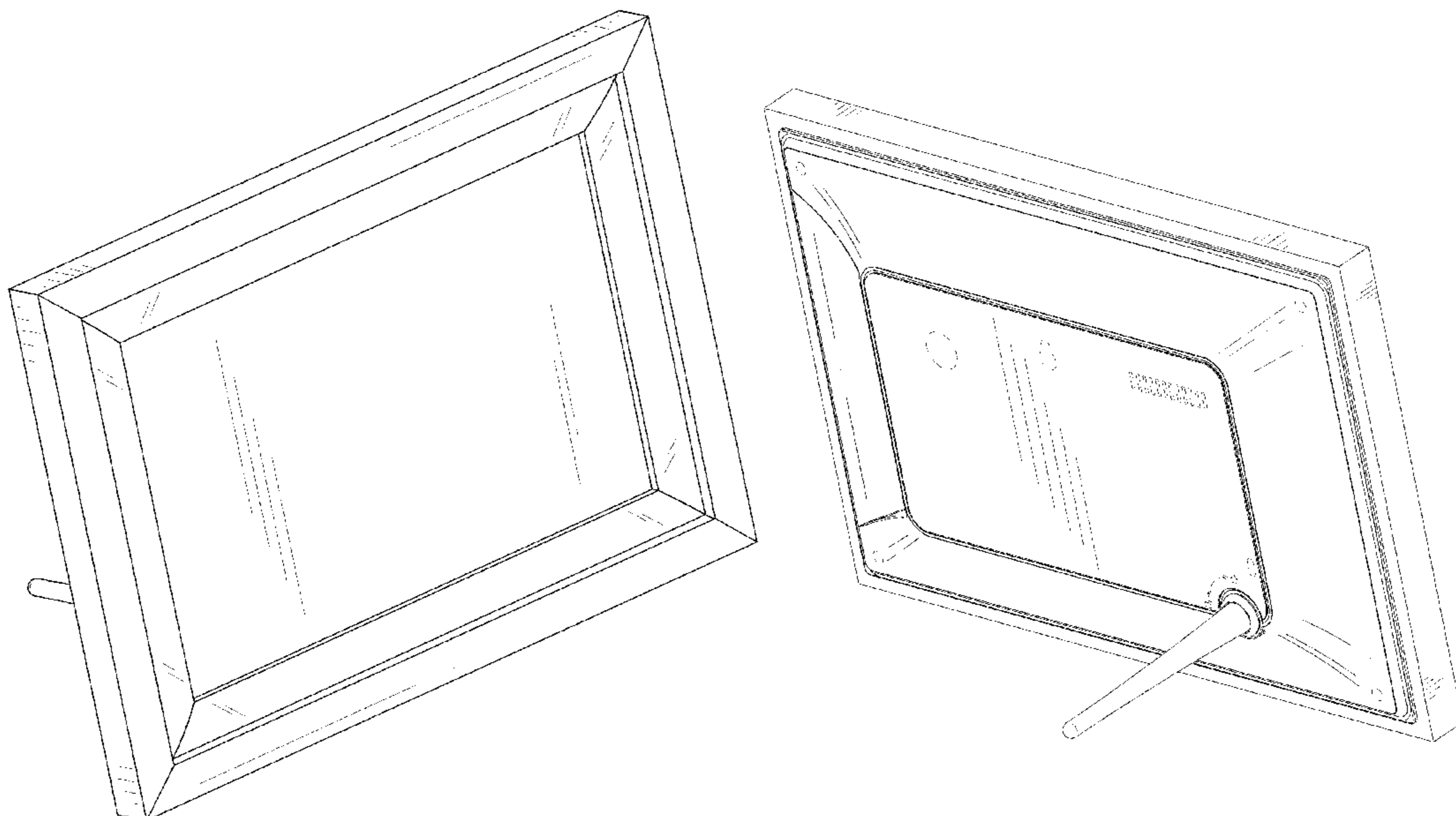
(57) **CLAIM**

The ornamental design for a smart photo frame, as shown and described.

DESCRIPTION

FIG. 1 is a front, top and left perspective view of a smart photo frame showing my new design;
 FIG. 2 is a rear, top and left perspective view thereof;
 FIG. 3 is a front view thereof;
 FIG. 4 is a rear view thereof;
 FIG. 5 is a left side view thereof;
 FIG. 6 is a right side view thereof;
 FIG. 7 is a top view thereof; and,
 FIG. 8 is a bottom view thereof.
 The broken lines illustrate portions of the smart photo frame that form no part of the claimed design.

1 Claim, 8 Drawing Sheets



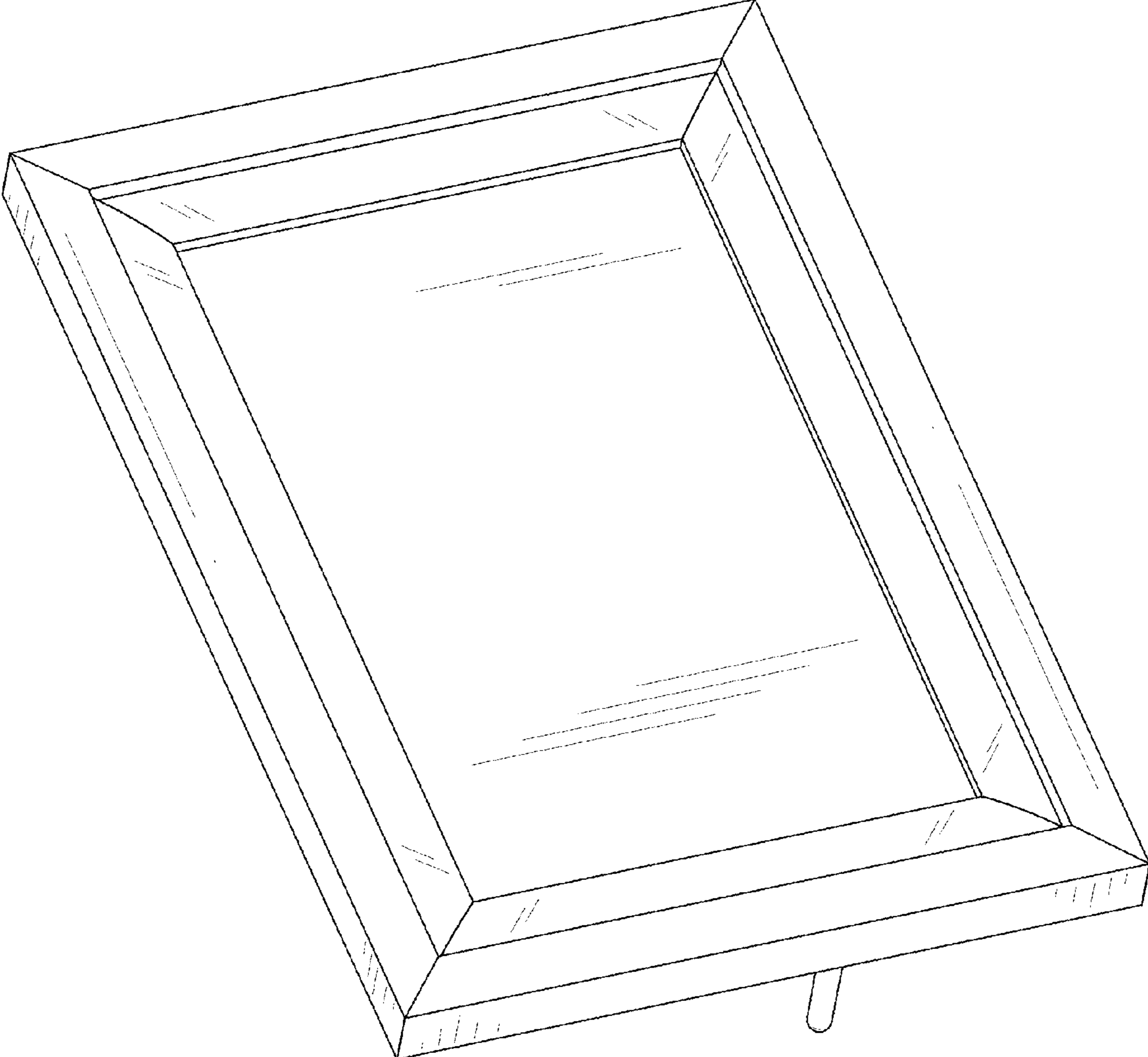


Fig. 1

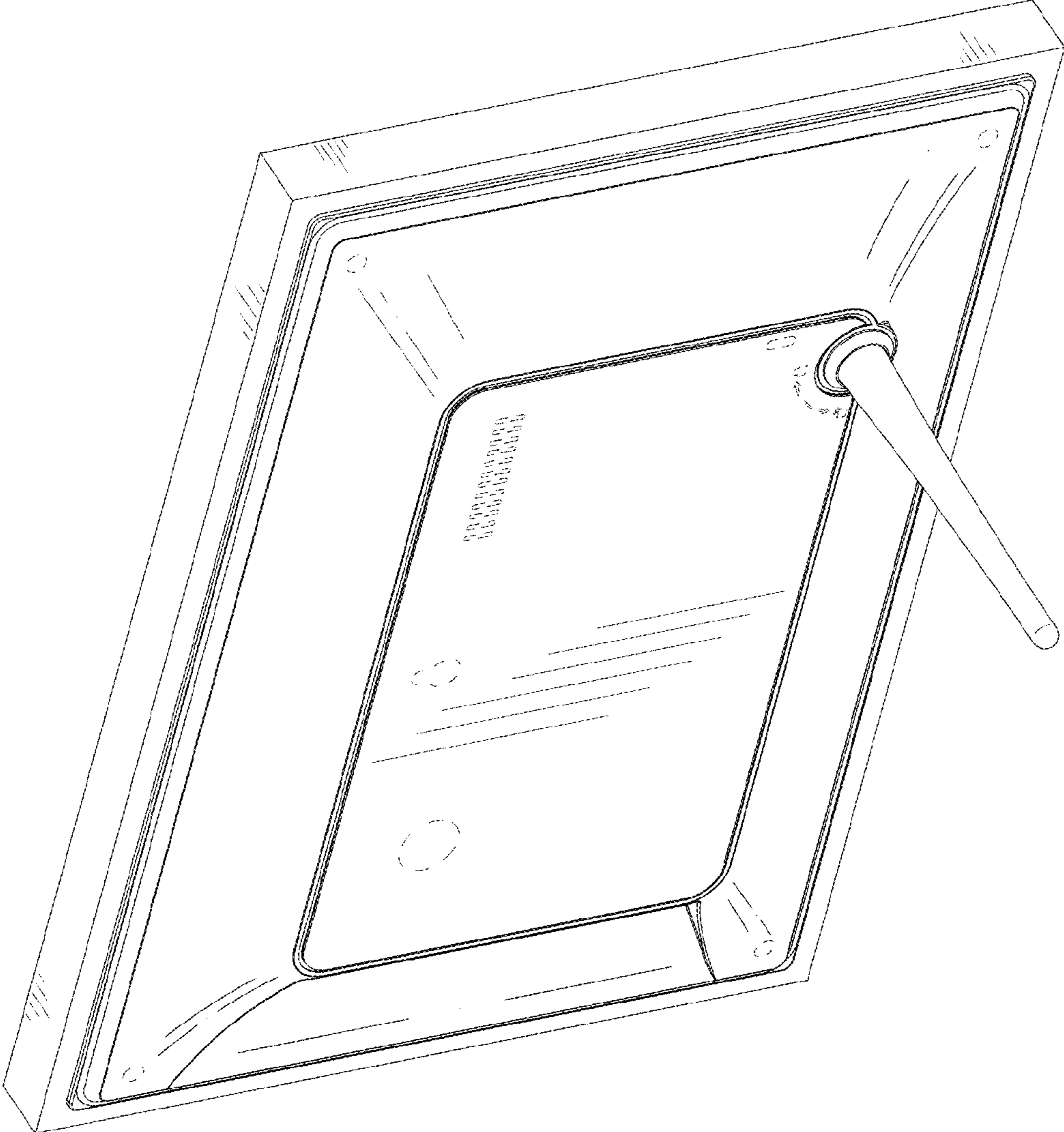


Fig. 2

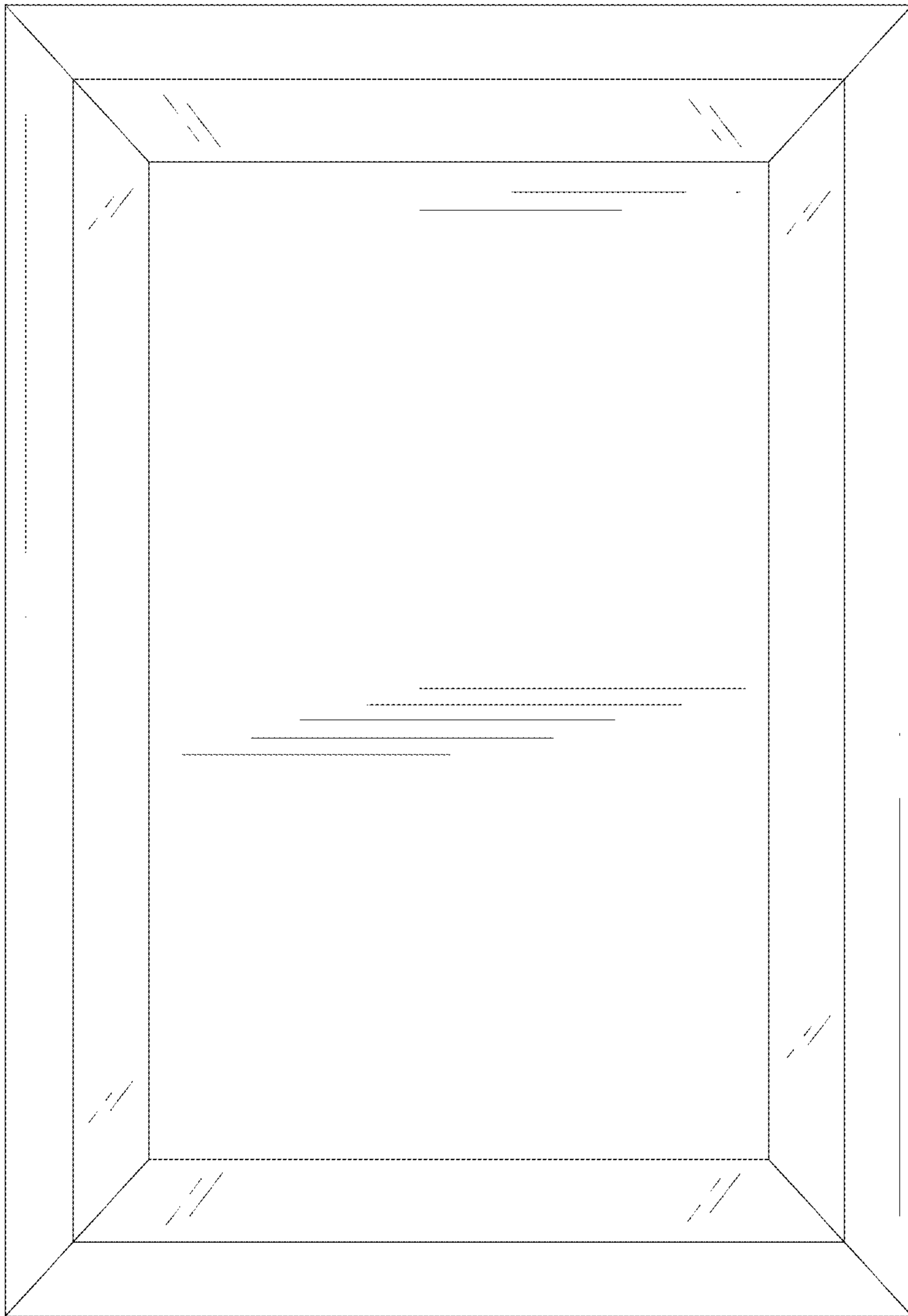


Fig. 3

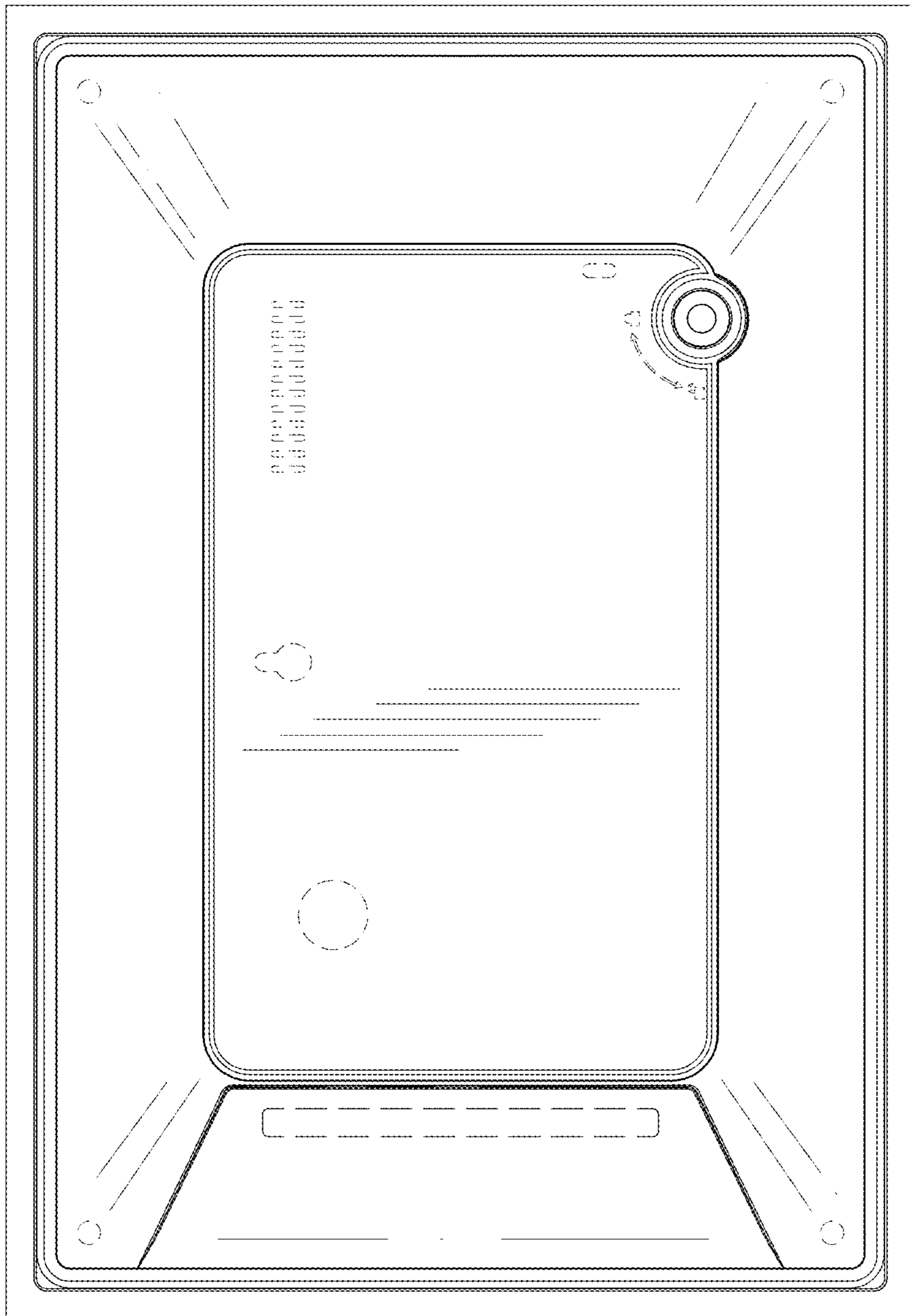


Fig. 4

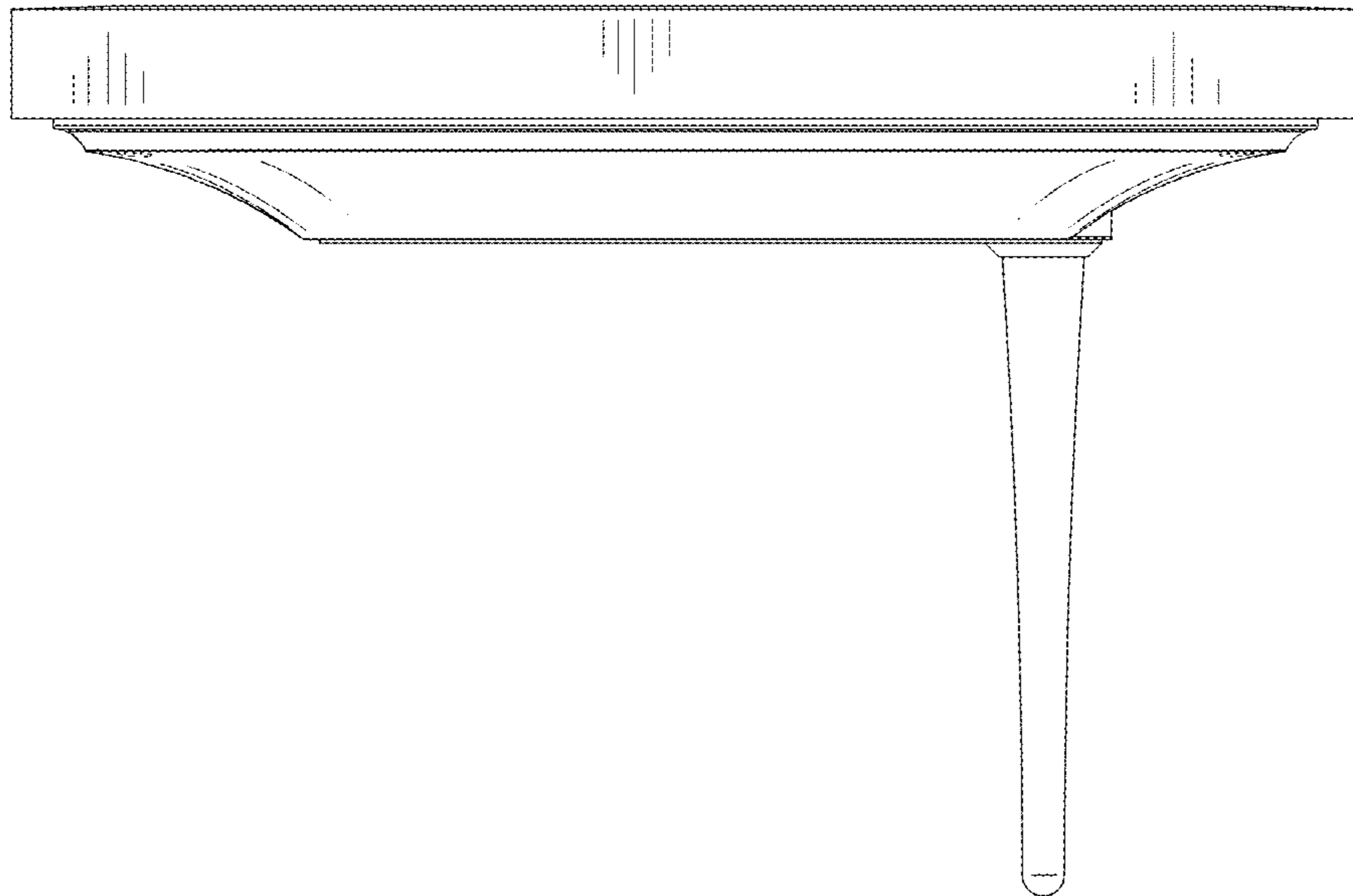


Fig. 5

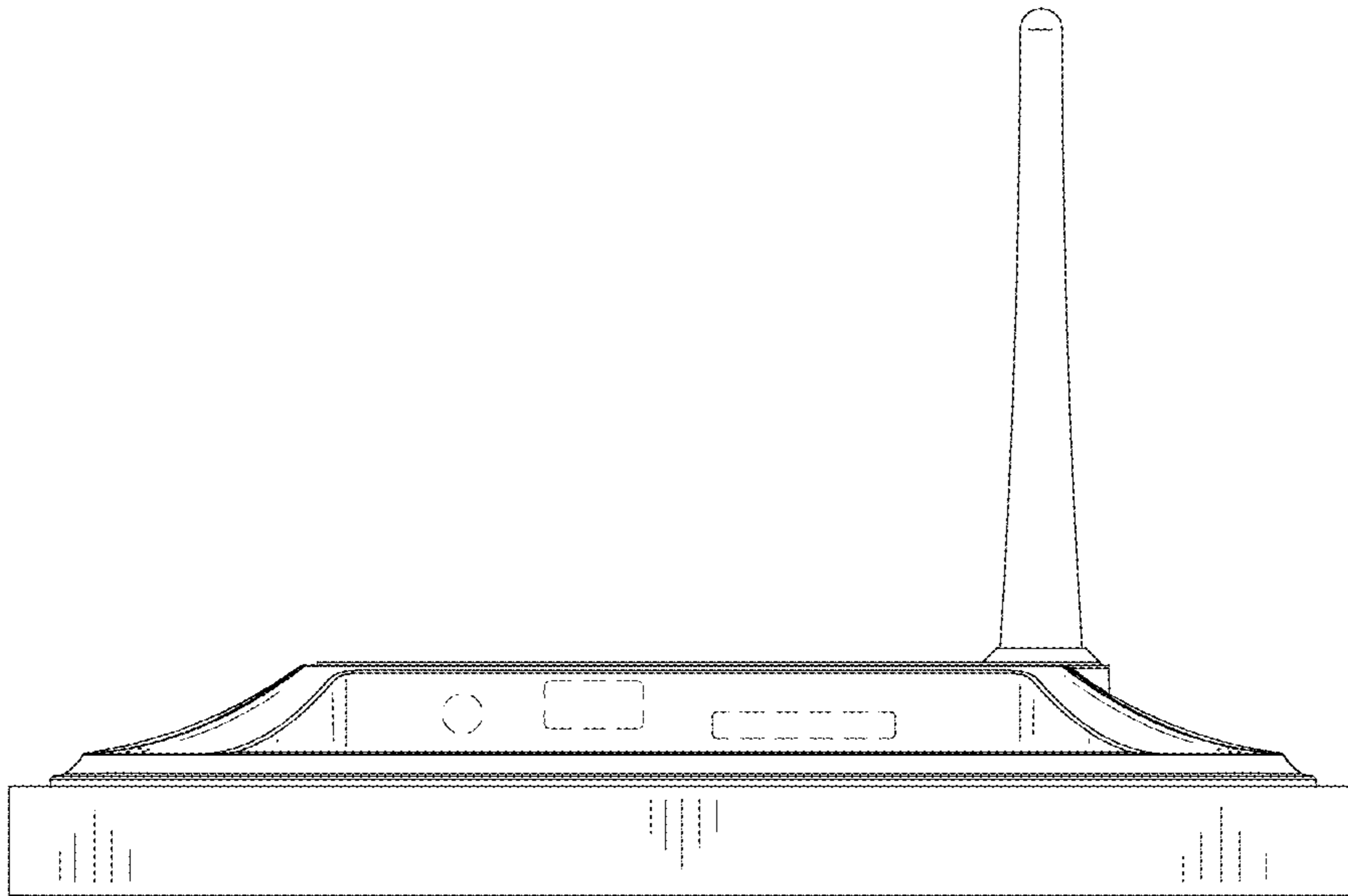


Fig. 6

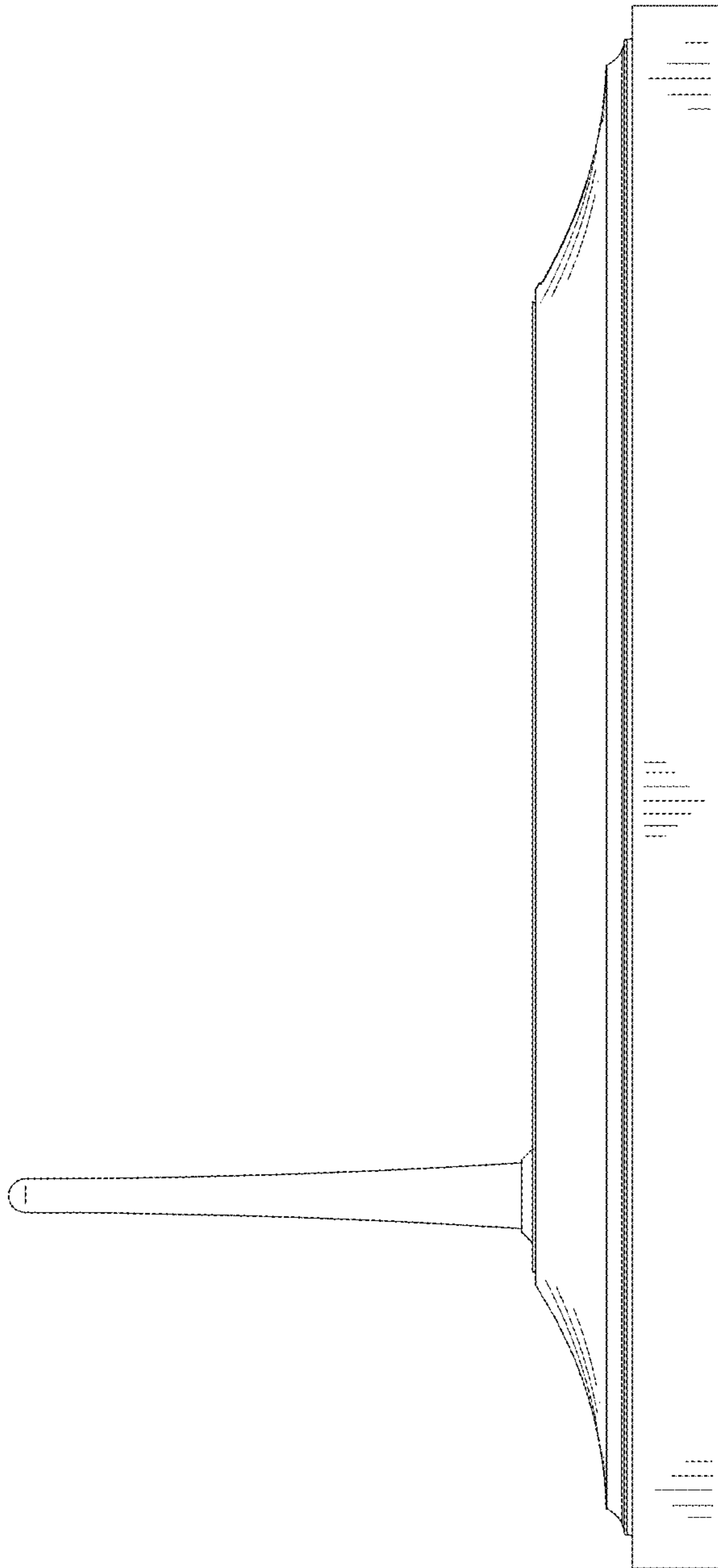


Fig. 7

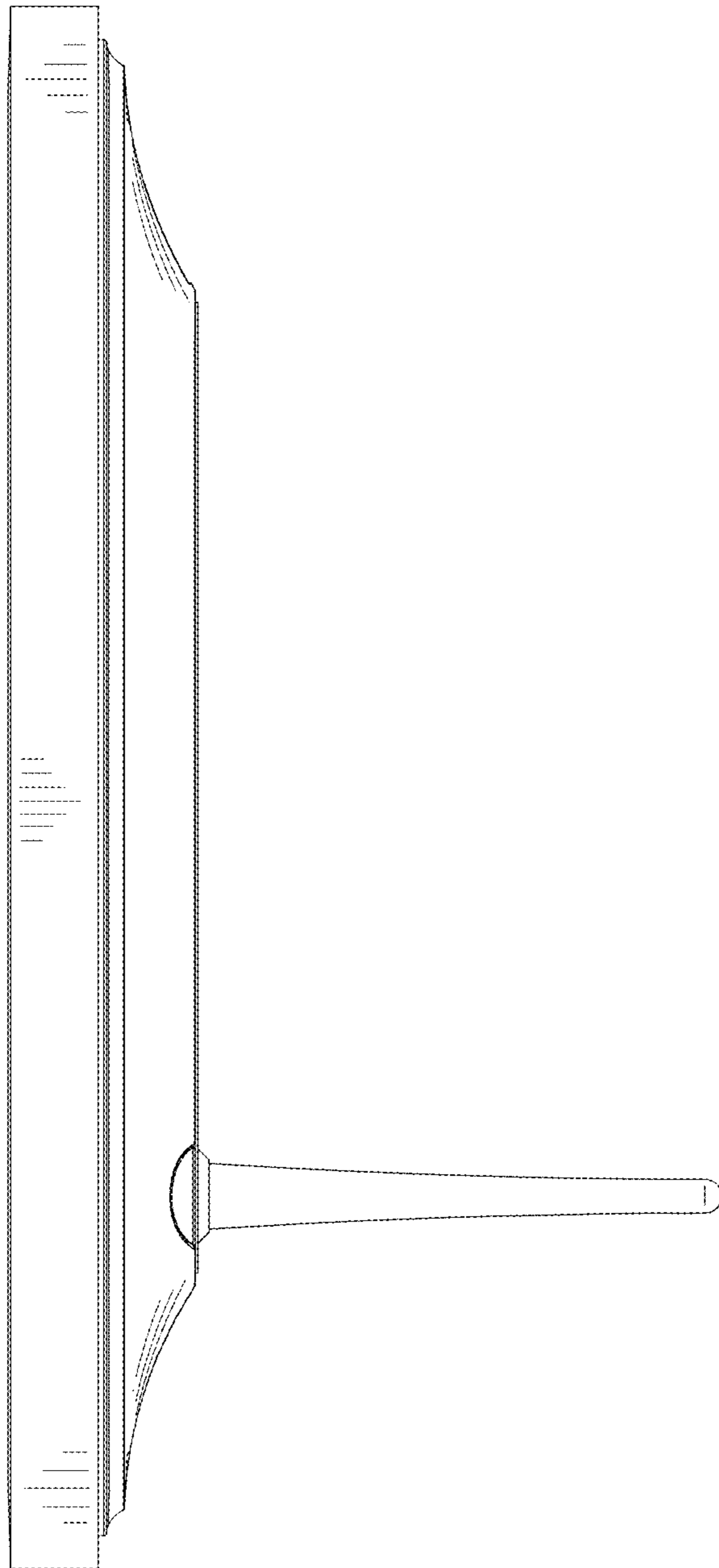


Fig. 8