



US00D884359S

(12) **United States Design Patent**
Green

(10) **Patent No.:** **US D884,359 S**

(45) **Date of Patent:** **** May 19, 2020**

(54) **DRYWALL COMPOUND APPLICATOR**

(71) Applicant: **Richard D. Green**, Cottonwood Heights, UT (US)

(72) Inventor: **Richard D. Green**, Cottonwood Heights, UT (US)

(**) Term: **15 Years**

(21) Appl. No.: **29/661,611**

(22) Filed: **Aug. 29, 2018**

(51) **LOC (12) Cl.** **04-01**

(52) **U.S. Cl.**
USPC **D4/122**

(58) **Field of Classification Search**
USPC D4/122, 138; 15/27, 104.001, 104.002,
15/230.11; 492/13, 16-19; D32/21;
D8/70, 71
CPC B05C 1/00; B05C 1/02; B05C 17/0205;
B44D 2/00
See application file for complete search history.

(56) **References Cited**

U.S. PATENT DOCUMENTS

- 3,879,140 A * 4/1975 Ritter B05C 17/0205
401/188 R
- 5,454,656 A * 10/1995 Rowe B05C 17/002
401/146
- 7,013,884 B2 * 3/2006 Guth B23Q 11/0046
125/13.01
- D663,184 S * 7/2012 Wait D8/70

- D742,081 S * 10/2015 Young D32/18
- D843,806 S * 3/2019 Brigham D8/71
- D859,845 S * 9/2019 Dombrowski D4/122

* cited by examiner

Primary Examiner — Austin Murphy
(74) *Attorney, Agent, or Firm* — Morriss O'Bryant;
Compagni Cannon PLLC.

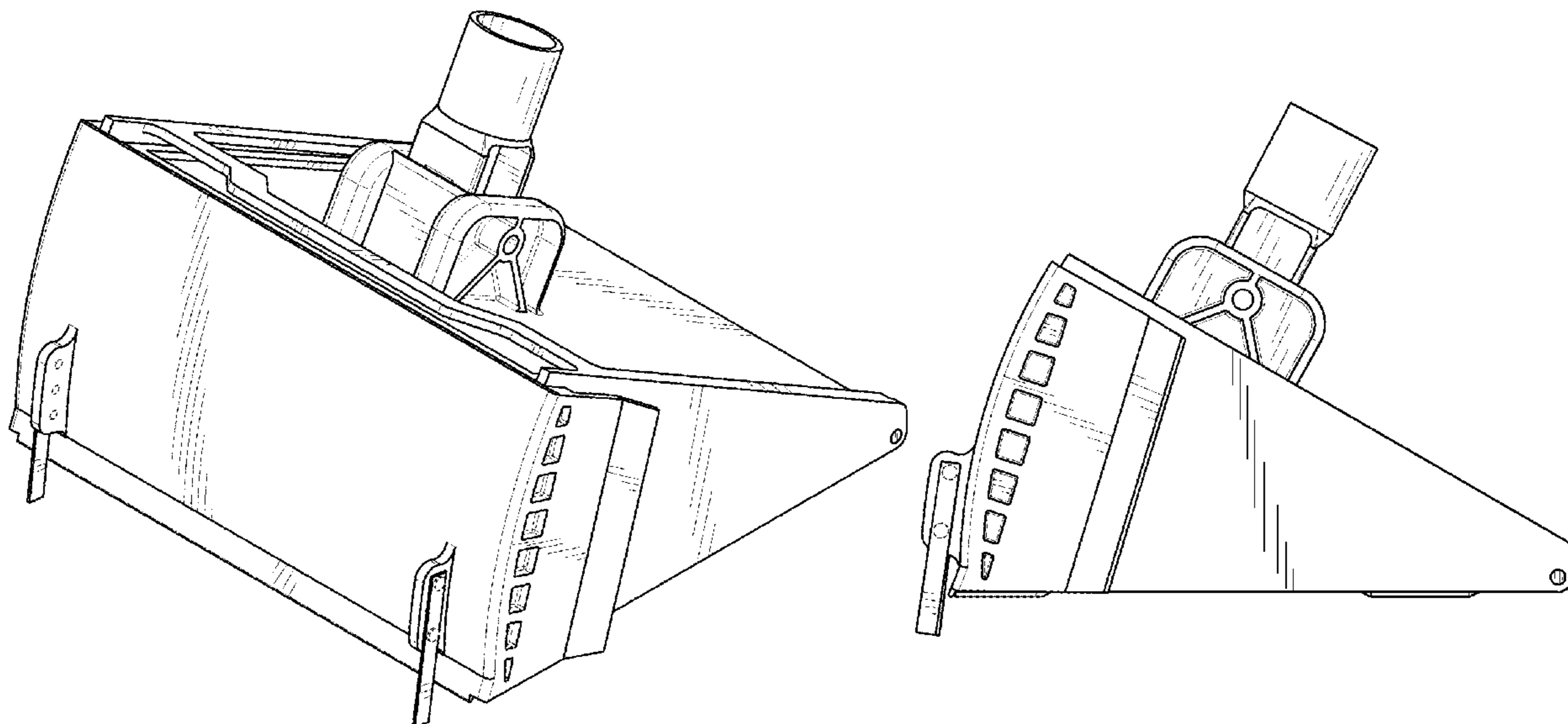
(57) **CLAIM**

The ornamental design for a drywall compound applicator, as shown and described herein.

DESCRIPTION

FIG. 1 is a perspective view of the drywall compound applicator showing my new design; FIG. 2 is a side view in elevation of the drywall compound applicator shown in FIG. 1, with the front of the drywall compound applicator facing to the left of the page; FIG. 3 is a side view in elevation of the drywall compound applicator shown in FIG. 1, with the front of the drywall compound applicator facing to the right of the page; FIG. 4 is a view in elevation showing the front of the drywall compound applicator; FIG. 5 is a view in elevation of the back of the drywall compound applicator; FIG. 6 is a plan view of the top of the drywall compound applicator with the front facing downwardly; and, FIG. 7 is a plan view of the bottom of the drywall compound applicator with the front facing downwardly. The broken lines shown in FIGS. 1, 2 and 3 are included for the purpose of illustrating portions of the drywall compound applicator that form no part of the claimed design.

1 Claim, 4 Drawing Sheets



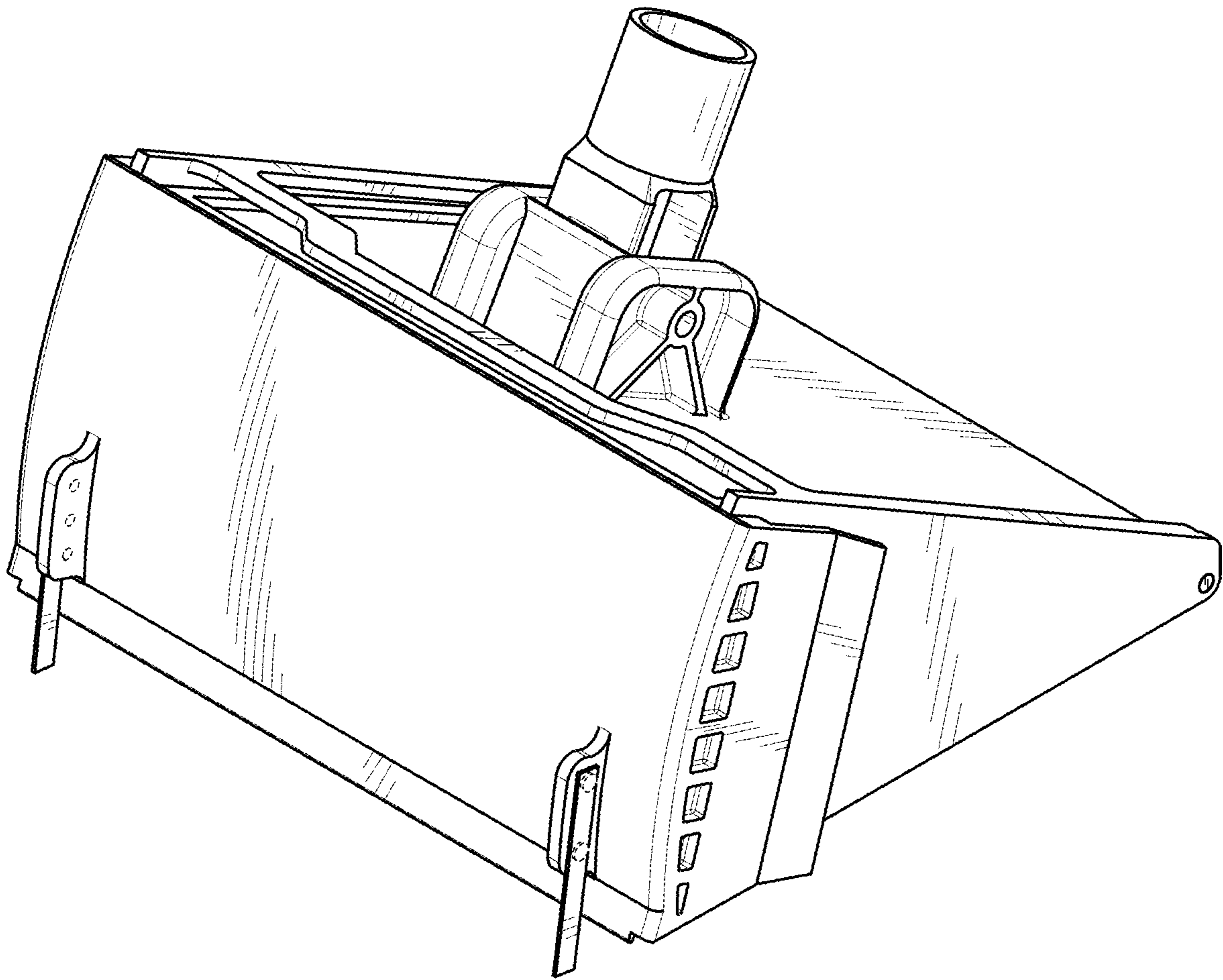


FIG. 1

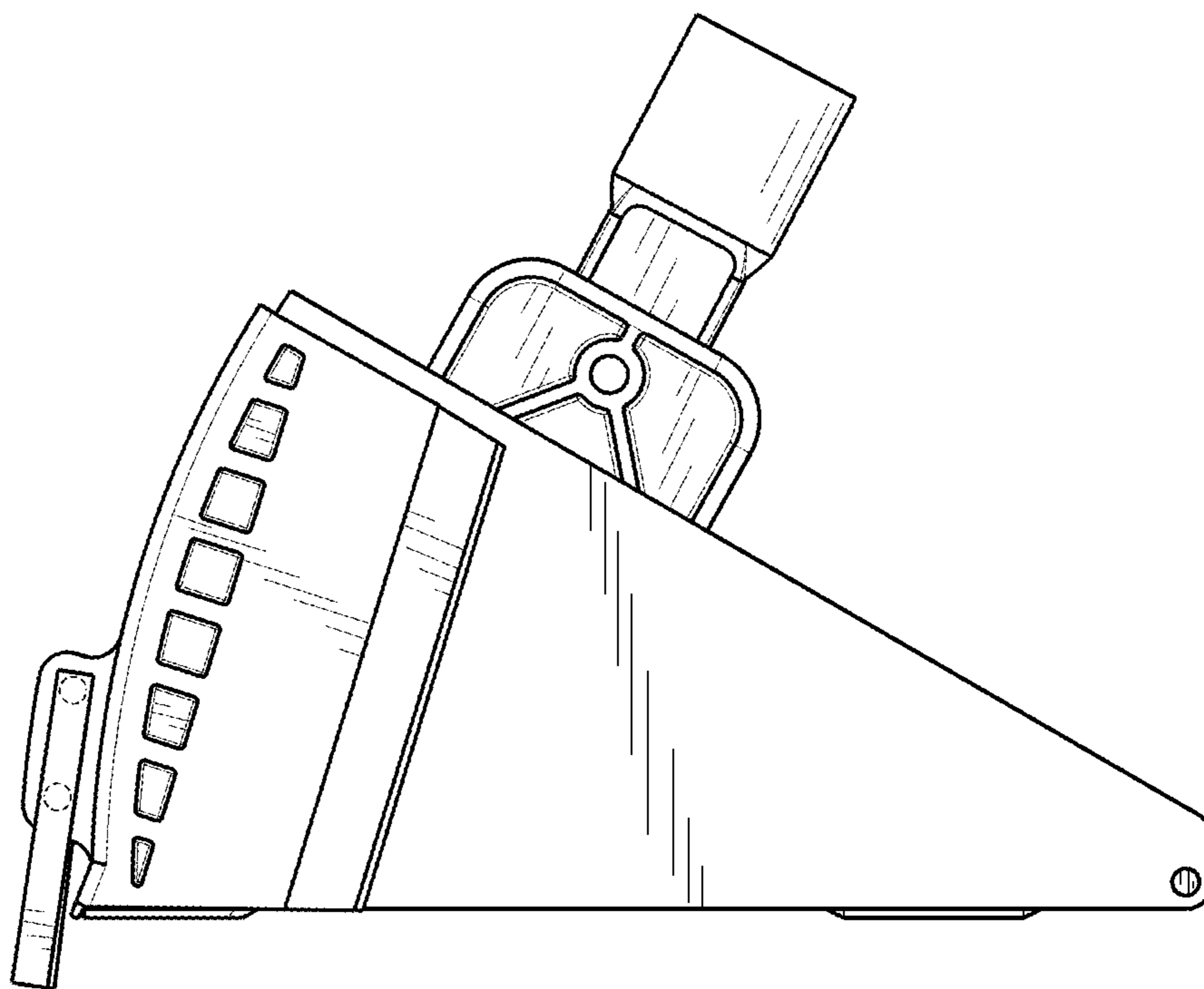


FIG. 2

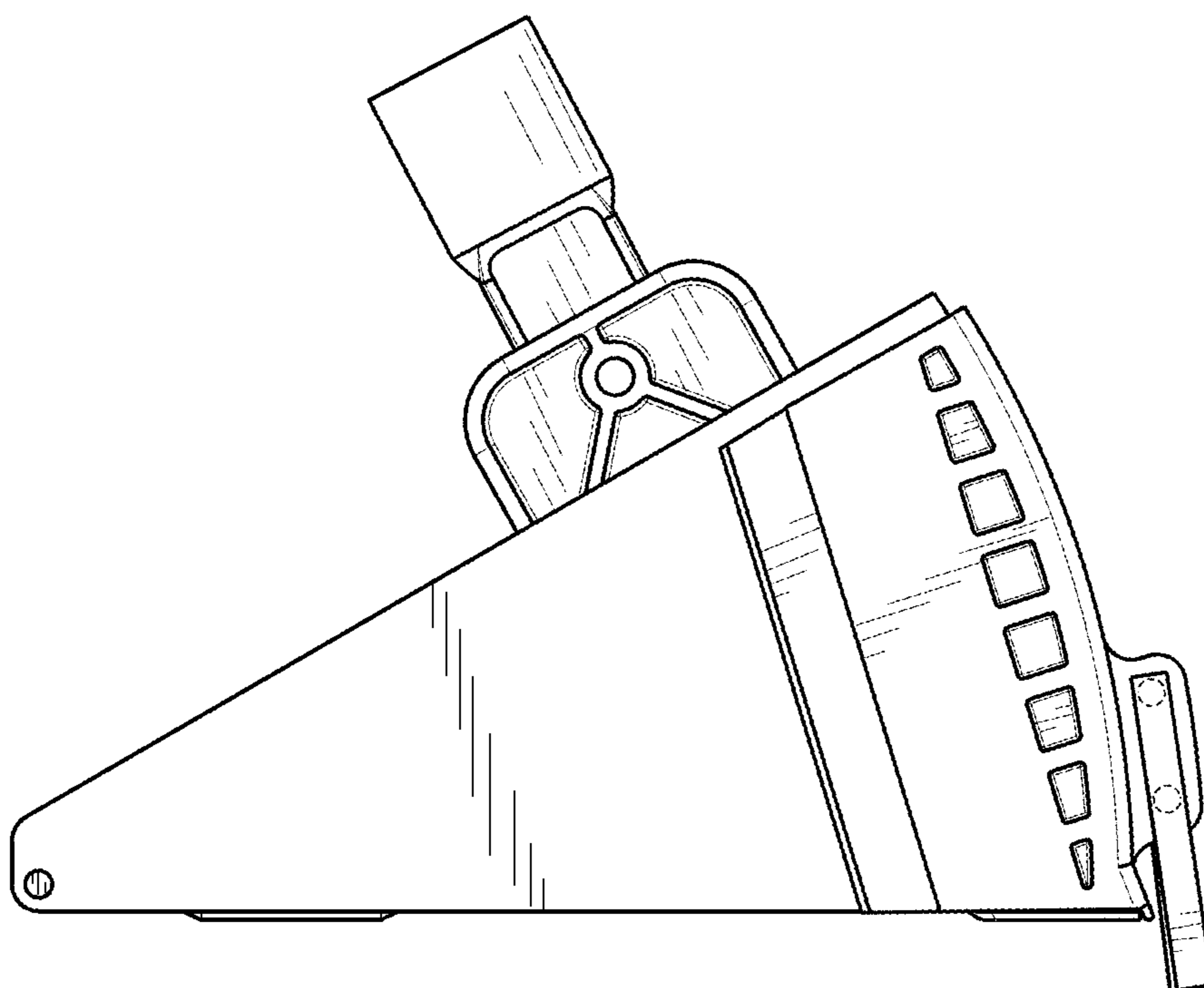


FIG. 3

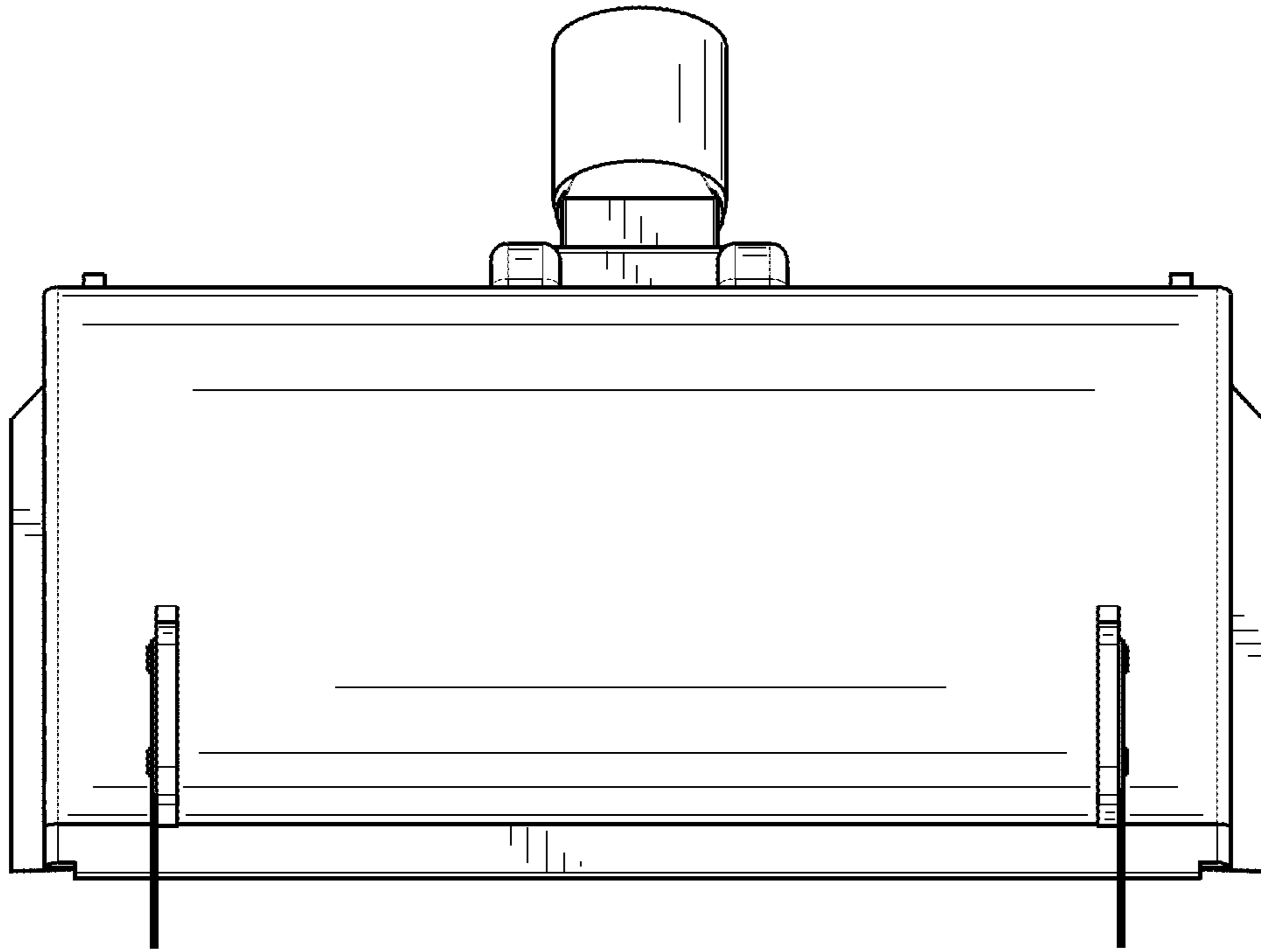


FIG. 4

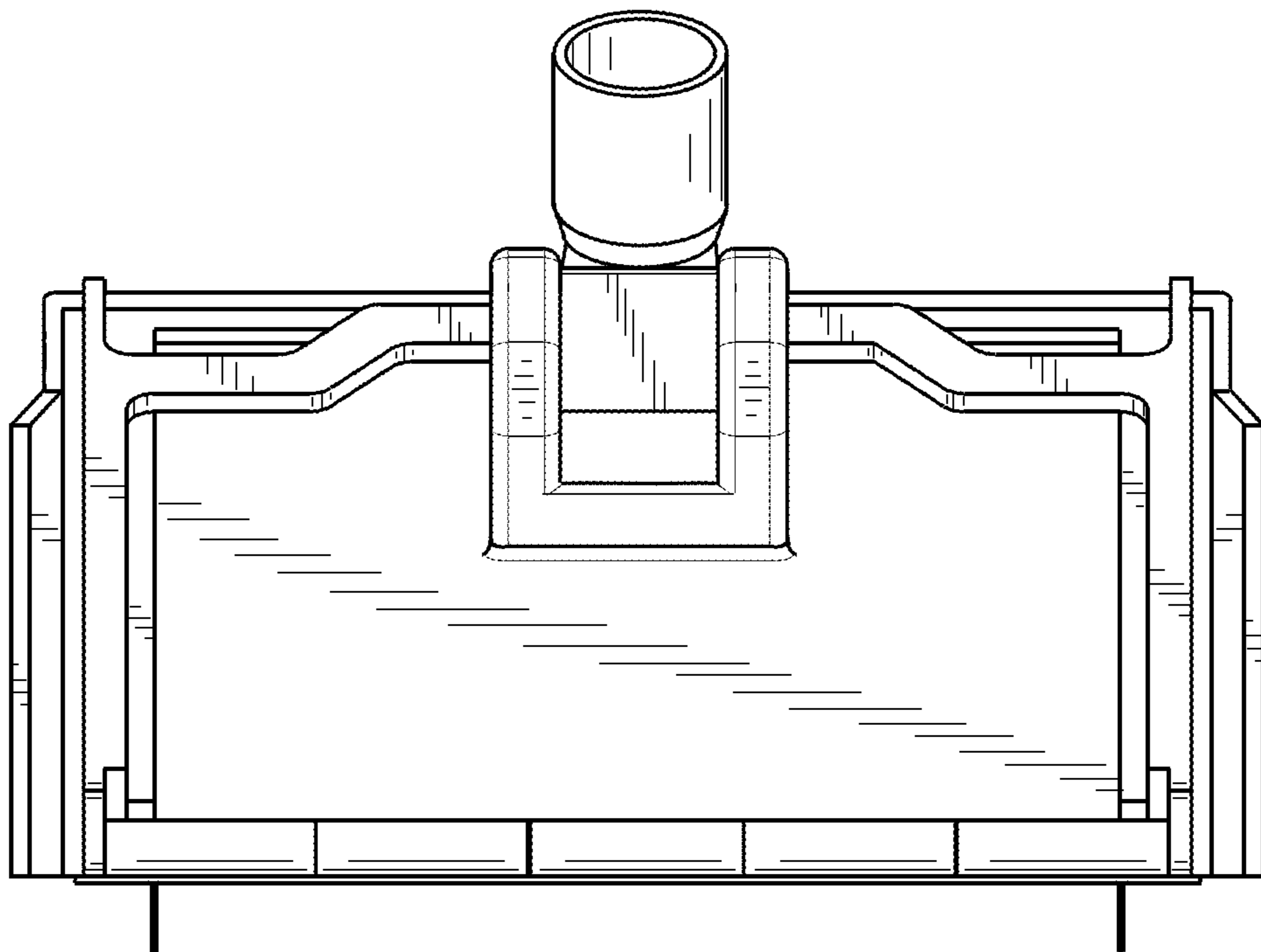


FIG. 5

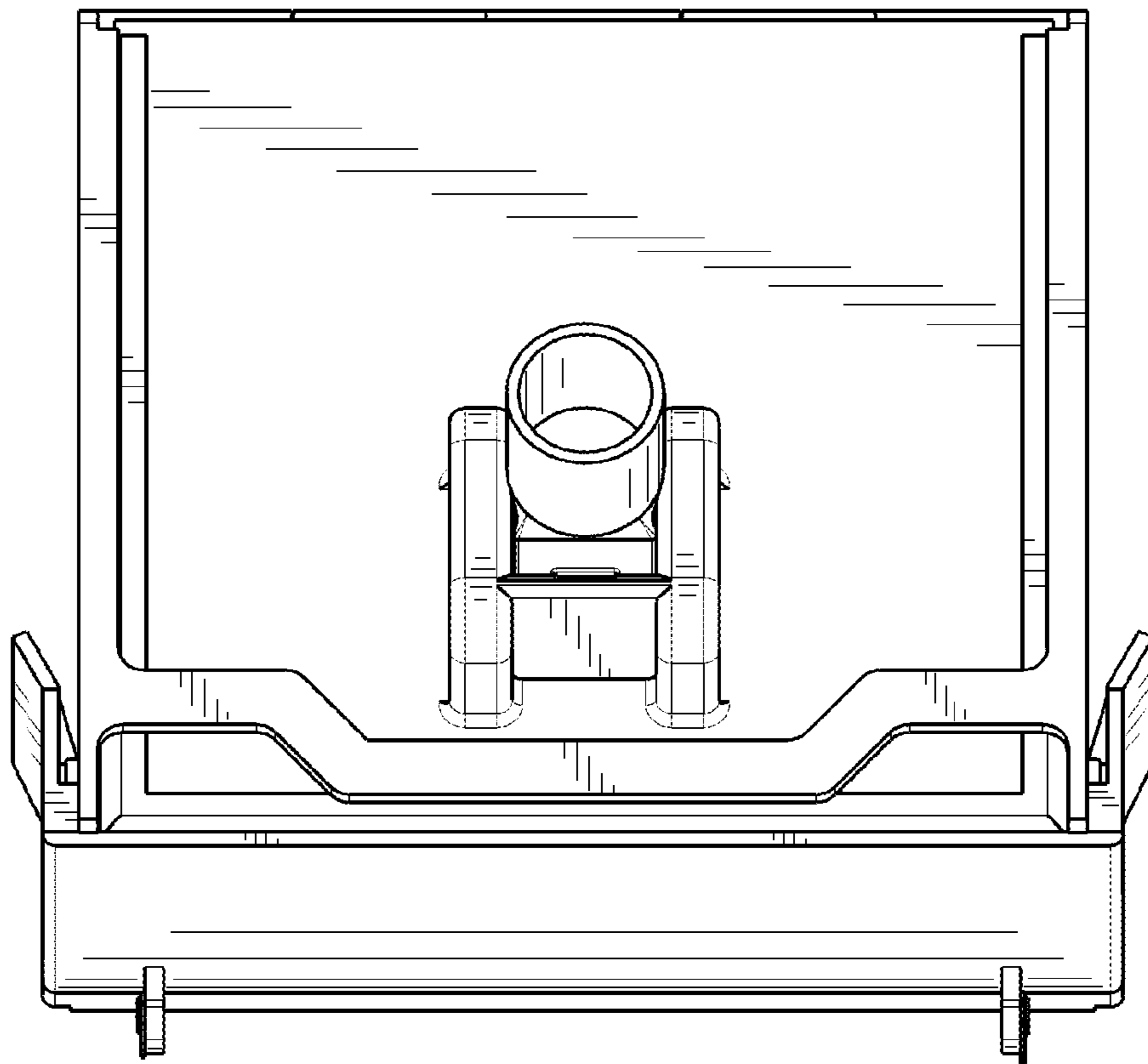


FIG. 6

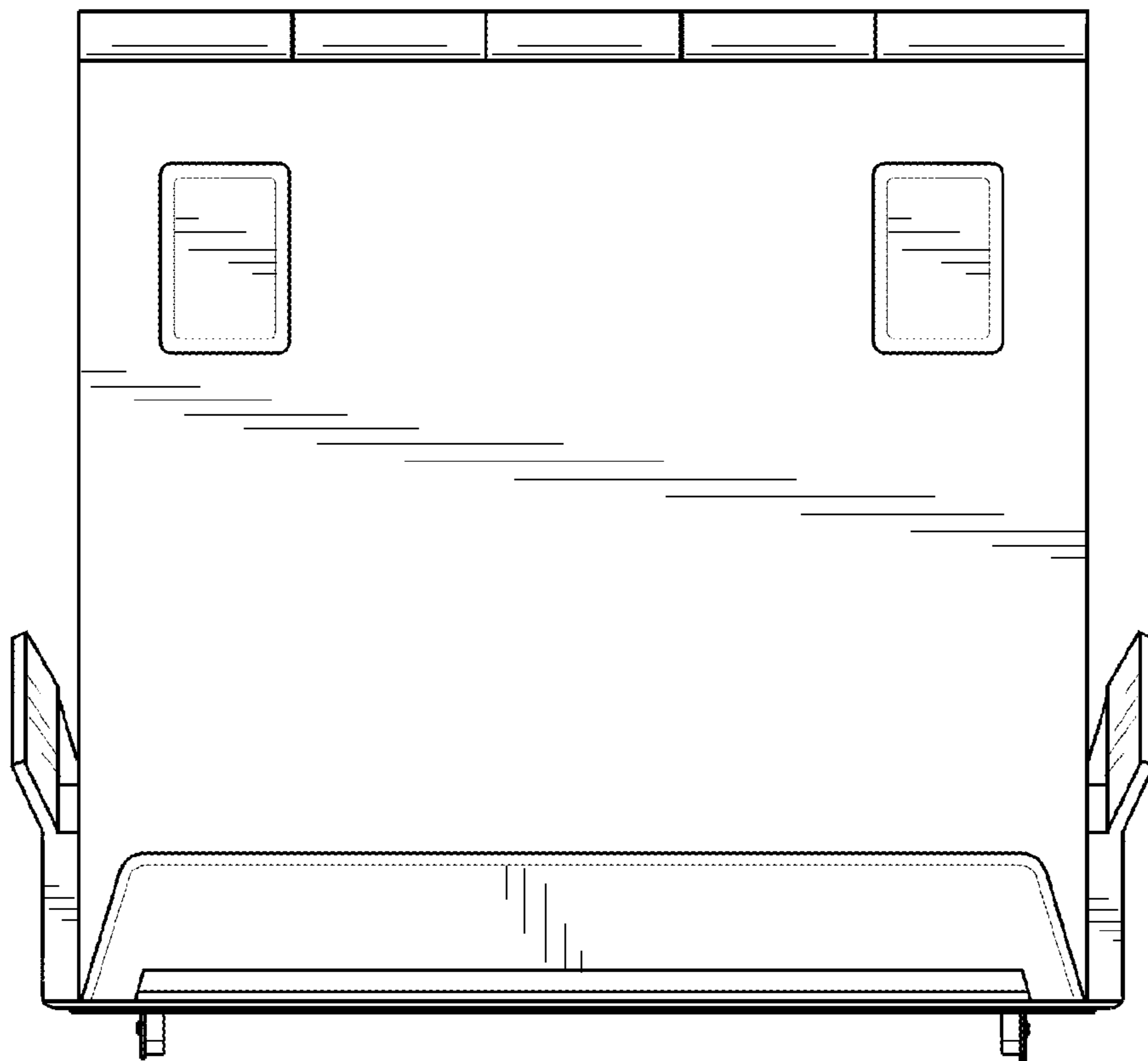


FIG. 7