



US00D884349S

(12) **United States Design Patent**
Graham

(10) **Patent No.:** **US D884,349 S**

(45) **Date of Patent:** **** May 19, 2020**

- (54) **GARMENT BAG**
- (71) Applicant: **Rent the Runway, Inc.**, New York, NY (US)
- (72) Inventor: **Andrea Renee Graham**, New York, NY (US)
- (73) Assignee: **Rent the Runway, Inc.**, New York, NY (US)
- (**) Term: **15 Years**
- (21) Appl. No.: **29/612,740**
- (22) Filed: **Aug. 3, 2017**

4,753,342 A *	6/1988	Pulichino, Jr.	A47G 25/54 190/109
4,817,791 A *	4/1989	Adams	A45C 3/004 206/287.1
4,901,897 A	2/1990	Briggs et al.	
5,010,987 A	4/1991	Evans	
5,320,220 A *	6/1994	Purkiss	A47G 25/54 206/285
D409,382 S *	5/1999	Erlanson	D3/201
D505,547 S *	5/2005	Whipple	D3/278
D769,003 S *	10/2016	Lee	D6/315
D813,546 S *	3/2018	Graham	D3/319
2011/0168584 A1 *	7/2011	Torrellas	A45C 3/004 206/287
2011/0280499 A1	11/2011	Brundage	
2014/0158564 A1 *	6/2014	Blasingame	A45C 3/004 206/287.1

(Continued)

Related U.S. Application Data

- (62) Division of application No. 29/511,954, filed on Dec. 15, 2014, now Pat. No. Des. 813,546.
- (51) **LOC (12) Cl.** **03-01**
- (52) **U.S. Cl.**
USPC **D3/319**
- (58) **Field of Classification Search**
USPC D3/201, 319, 318, 283, 284, 285, 286,
D3/288, 289, 301, 278; 206/278, 284,
206/286, 287, 287.1; D6/315
CPC B65D 85/18; A45C 3/00; A45C 3/301;
A45C 3/004
See application file for complete search history.

Primary Examiner — Susan Bennett Hattan
Assistant Examiner — Rebecca Tsehaye
 (74) *Attorney, Agent, or Firm* — Perkins Coie LLP

(57) **CLAIM**

The ornamental design for a garment bag, as shown and described.

DESCRIPTION

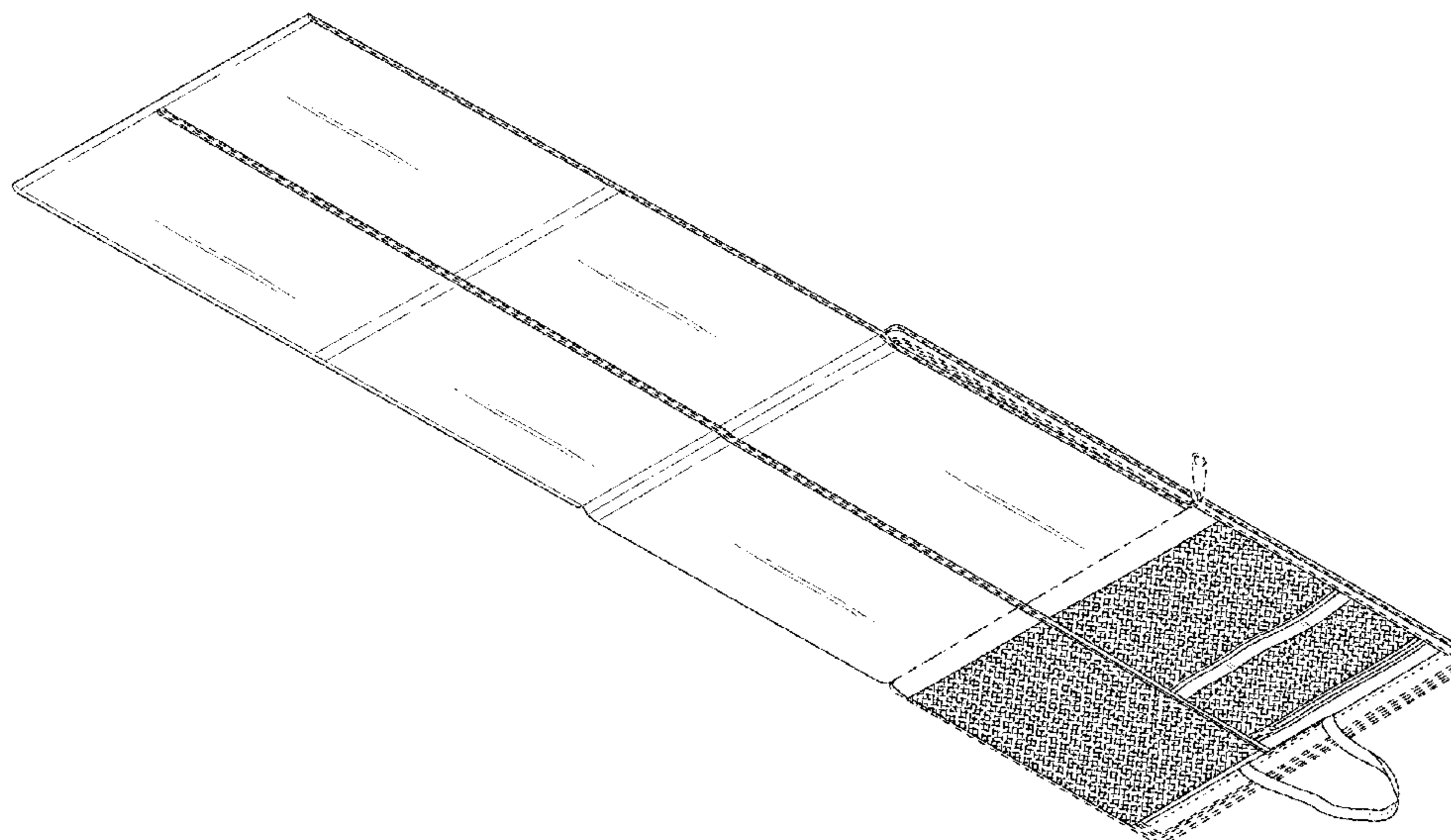
FIG. 1 is a top, front left side perspective view of a garment bag showing our new design;
 FIG. 2 is a front elevational view of FIG. 1;
 FIG. 3 is a rear elevational view of FIG. 1;
 FIG. 4 is a left side elevational view of FIG. 1;
 FIG. 5 is a right side elevational of FIG. 1;
 FIG. 6 is a bottom plan view of FIG. 1; and,
 FIG. 7 is a top plan view of FIG. 1.
 The broken lines show portions of the garment bag that form no part of the claimed design. The dash-dot-dash broken lines define a boundary of the claimed design and form no part thereof.

1 Claim, 2 Drawing Sheets

(56) **References Cited**

U.S. PATENT DOCUMENTS

1,704,680 A *	3/1929	Johnson	A47G 25/54 206/280
1,914,087 A	6/1933	Gilmore	
2,325,806 A *	8/1943	Simmons	A45C 3/004 190/111
2,839,167 A	6/1958	Smith	
3,958,675 A *	5/1976	Rosenblum	A45C 3/004 206/287.1



(56)

References Cited

U.S. PATENT DOCUMENTS

2016/0166023 A1* 6/2016 Graham A45C 3/004
206/279

* cited by examiner

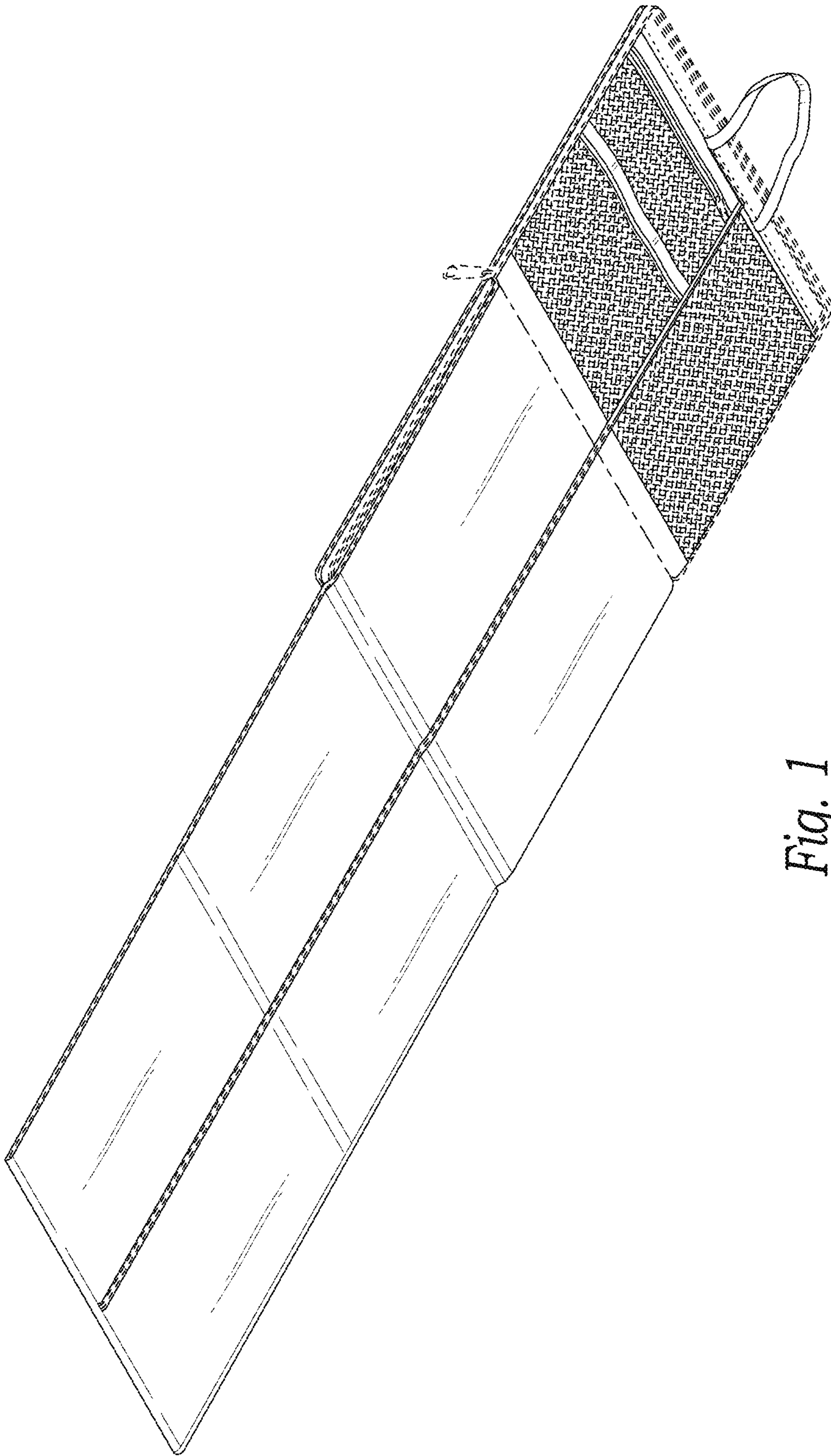


Fig. 1

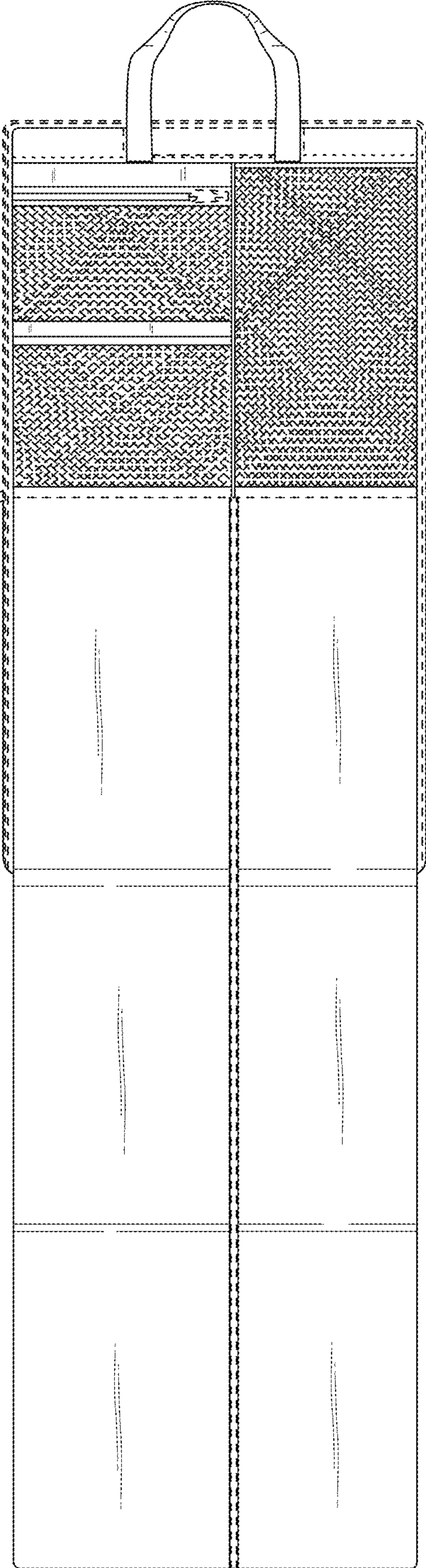


Fig. 2