



US00D884347S

(12) **United States Design Patent**
Nelson

(10) **Patent No.:** **US D884,347 S**

(45) **Date of Patent:** **** May 19, 2020**

(54) **STORAGE TOTE**

(71) Applicant: **Home Depot Product Authority, LLC**,
Atlanta, GA (US)

(72) Inventor: **Michael Nelson**, Peachtree City, GA
(US)

(73) Assignee: **Home Depot Product Authority, LLC**,
Atlanta, GA (US)

(**) Term: **15 Years**

(21) Appl. No.: **29/631,424**

(22) Filed: **Dec. 29, 2017**

(51) **LOC (12) Cl.** **03-01**

(52) **U.S. Cl.**
USPC **D3/318; D3/302**

(58) **Field of Classification Search**
USPC D3/318, 321, 322, 324, 327, 328,
D3/207-212, 215, 232, 246, 302, 273,
D3/289, 294

CPC . A45F 5/00; E05B 17/00; E05B 17/06; B65D
41/38; B65D 41/56; B65D 41/62

See application file for complete search history.

(56) **References Cited**

U.S. PATENT DOCUMENTS

D297,875 S *	9/1988	Carville	D3/318
D397,552 S	9/1998	Rutledge		
D432,787 S	10/2000	Holahan		
D480,872 S *	10/2003	Welsh	D3/273
D483,945 S *	12/2003	Tanji	D3/273
D511,247 S *	11/2005	Tsuchiya	D3/273
D511,624 S *	11/2005	Rosine	D3/273
D513,121 S *	12/2005	Rosine	D3/273
D580,170 S	11/2008	Klotzman et al.		
D597,383 S	8/2009	Masterton et al.		
D606,306 S	12/2009	Monte		
D607,207 S *	1/2010	Horiyama	D3/279
D638,626 S *	5/2011	Vilkomirski	D3/318
D648,535 S	11/2011	Reinhart et al.		

D650,174 S	12/2011	Ahstrom		
D657,143 S	4/2012	Jowett		
D658,376 S	5/2012	Ahstrom		
D719,731 S	12/2014	Burgess et al.		
D738,623 S	9/2015	Wood		
D765,406 S *	9/2016	Faibish	D3/318

(Continued)

OTHER PUBLICATIONS

<https://www.walmart.com/ip/Rubbermaid-Roughneck-Storage-Tote/117698092?wmlspartner...>, Rubbermaid Roughneck Storage Tote, Dec. 8, 2017, 3 pgs.

(Continued)

Primary Examiner — Holly E Thurman

(74) *Attorney, Agent, or Firm* — Greenberg Traurig, LLP

(57) **CLAIM**

I claim the ornamental design for a storage tote, as shown and described.

DESCRIPTION

FIG. 1 is a front perspective view of a first embodiment of my design;

FIG. 2 is a front view thereof;

FIG. 3 is a rear view thereof;

FIG. 4 is a left side view thereof, the right side being a mirror image thereof;

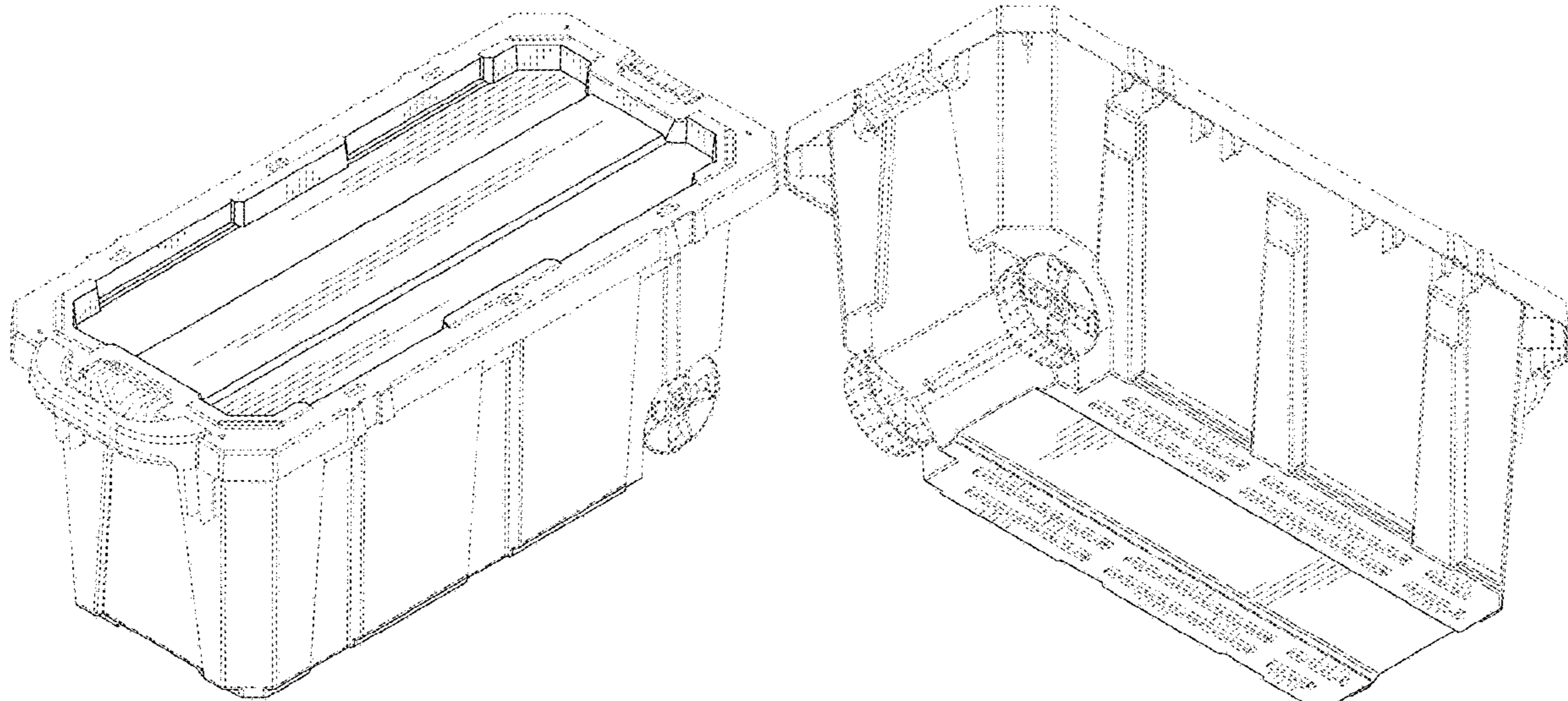
FIG. 5 is a top view thereof;

FIG. 6 is a bottom view thereof; and,

FIG. 7 is a rear perspective view thereof.

The dashed lines in the figures form no part of the claimed design. The long-short dashed lines that abut a claimed surface represent an unclaimed boundary between claimed and unclaimed surfaces and form no part of the claimed design. All other surface(s) or portion(s) of my design not shown in the figures or otherwise described in the specification, such as the interior of the storage tote, form no part of the claimed design.

1 Claim, 7 Drawing Sheets



(56)

References Cited

U.S. PATENT DOCUMENTS

D791,478 S	7/2017	Jowett et al.	
D800,494 S *	10/2017	Peng	D7/391
D833,149 S *	11/2018	Sofy	D3/323
D844,325 S *	4/2019	Nelson	D3/279
D858,994 S *	9/2019	Chang	D3/318
2014/0197059 A1 *	7/2014	Evans	B25H 3/02 206/349

OTHER PUBLICATIONS

<https://www.walmart.com/ip/Sterilite-50-Gal-189-L-Stacker-Tote-Black/43393267>, Sterilite, 50 Gal./189 L Stacker Tote, Black, Dec. 8, 2017, 11 pgs.

[https://www.homedepot.com/p/HDX-27-Gal-Storage-Tote-in-Black-5-Pack-HDX27GON . . .](https://www.homedepot.com/p/HDX-27-Gal-Storage-Tote-in-Black-5-Pack-HDX27GON...), HDX 27 Gal. Storage Tote in Black (5-Pack), Dec. 8, 2017, 3 pgs.

[https://www.target.com/p/sterilite-174-108-qt-industrial-utility-storage-tote-black-with-red . . .](https://www.target.com/p/sterilite-174-108-qt-industrial-utility-storage-tote-black-with-red...), Sterilite 108 Qt Industrial Utility Storage Tote—Black with Red Latch, Dec. 8, 2017, 4 pgs.

* cited by examiner

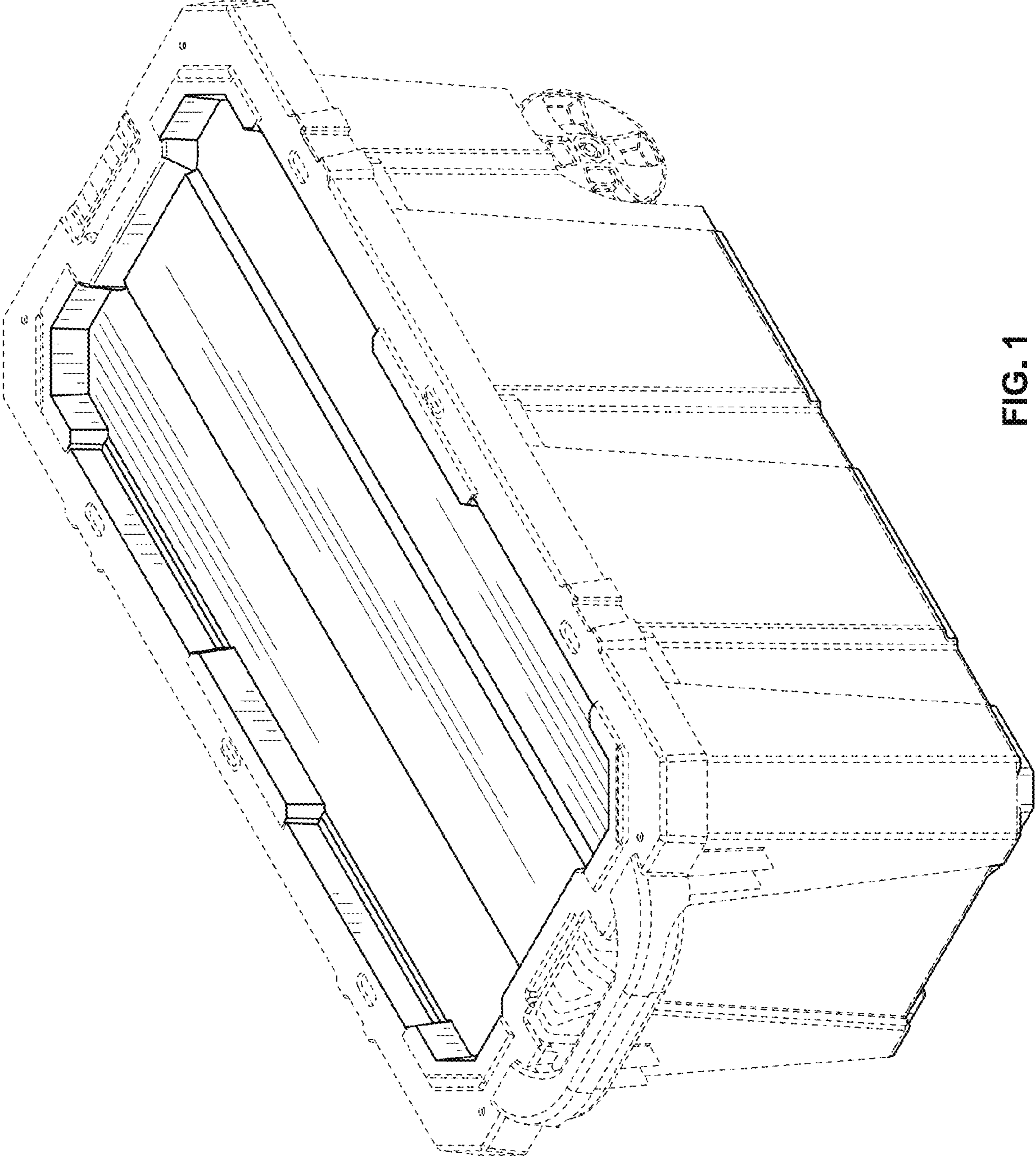


FIG. 1

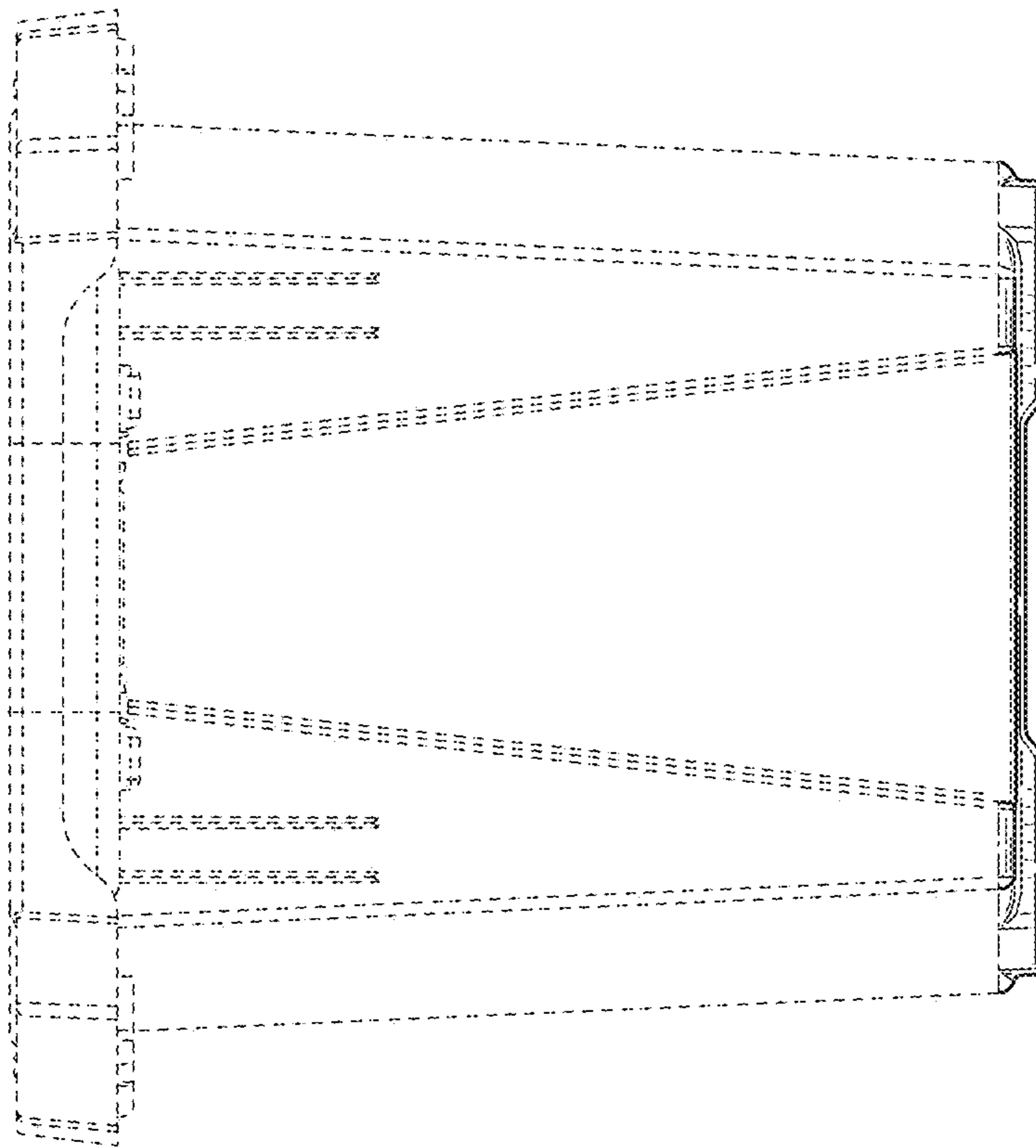


FIG. 2

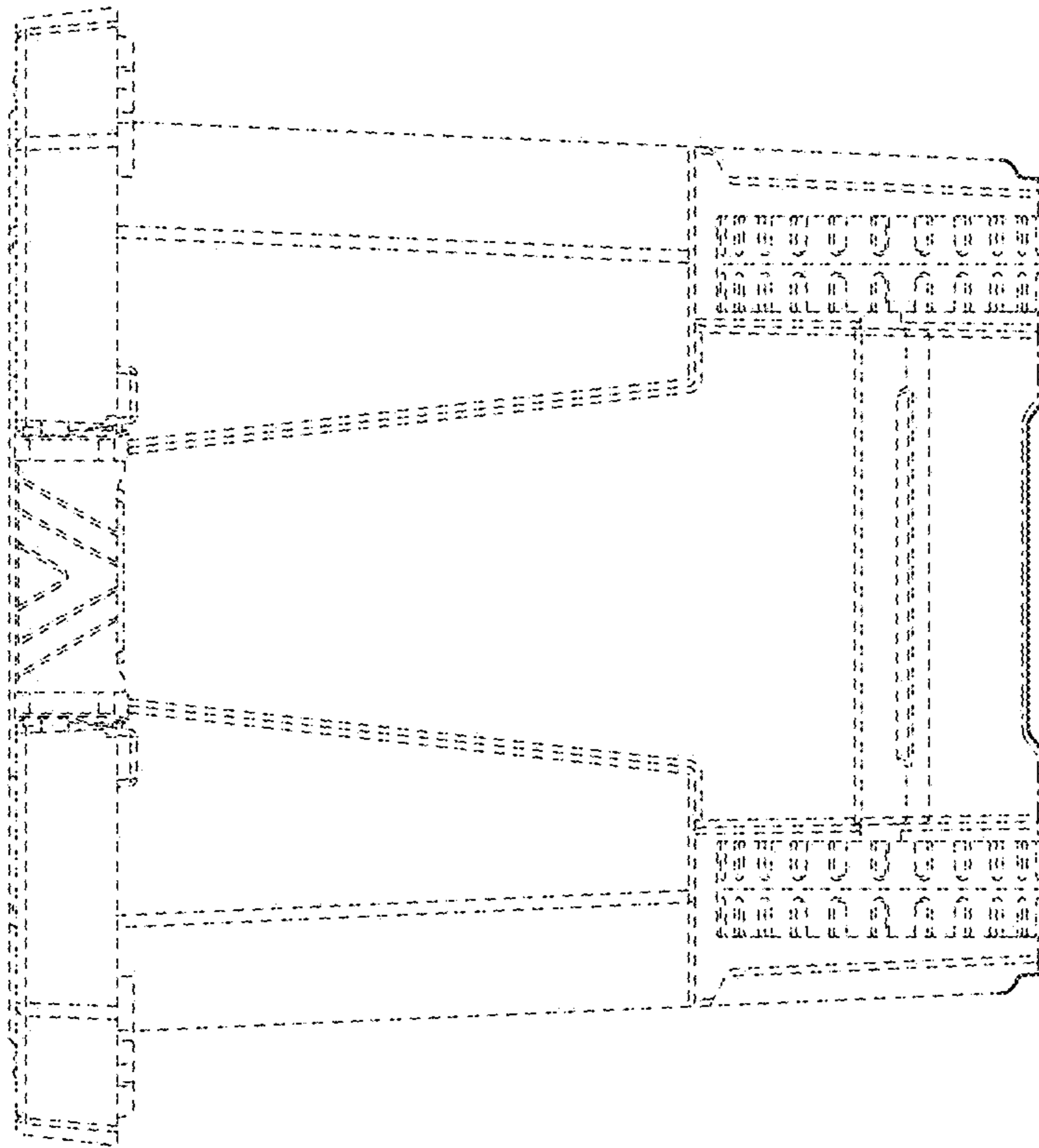


FIG. 3

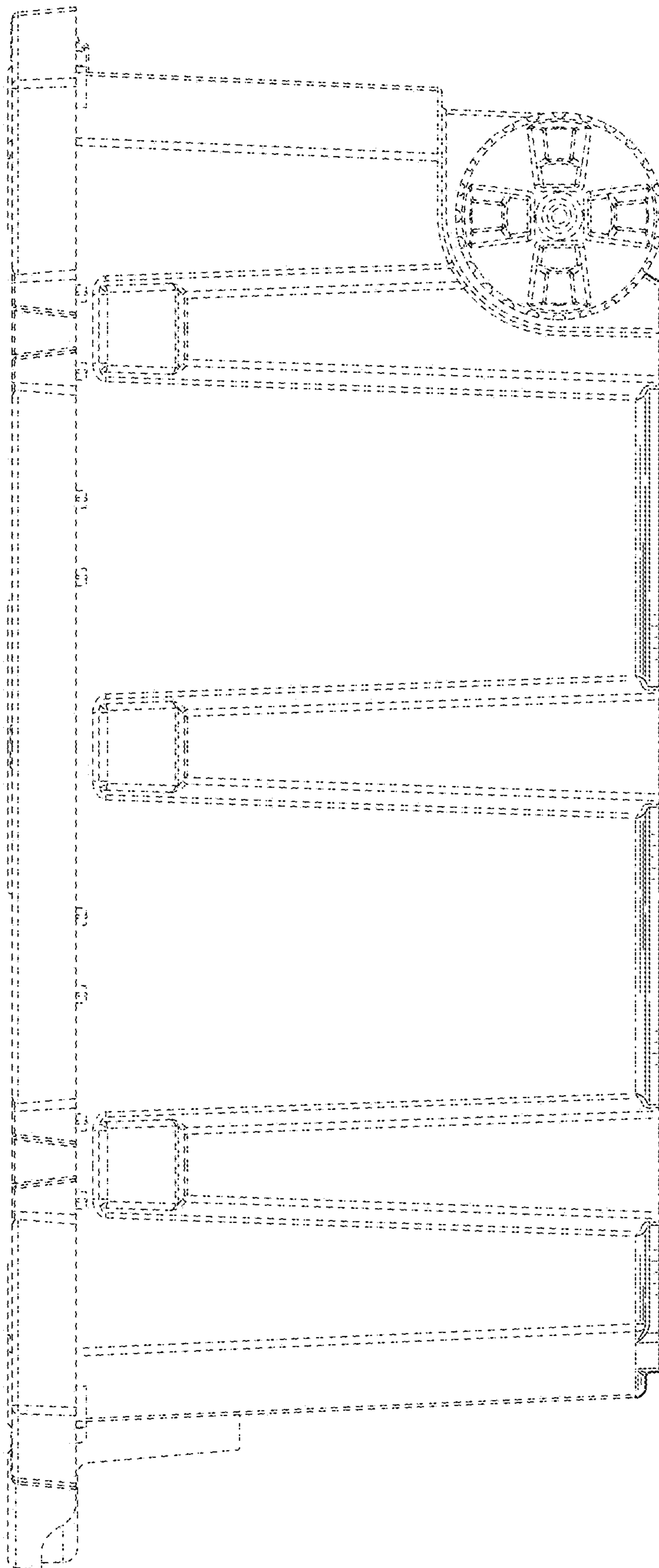


FIG. 4

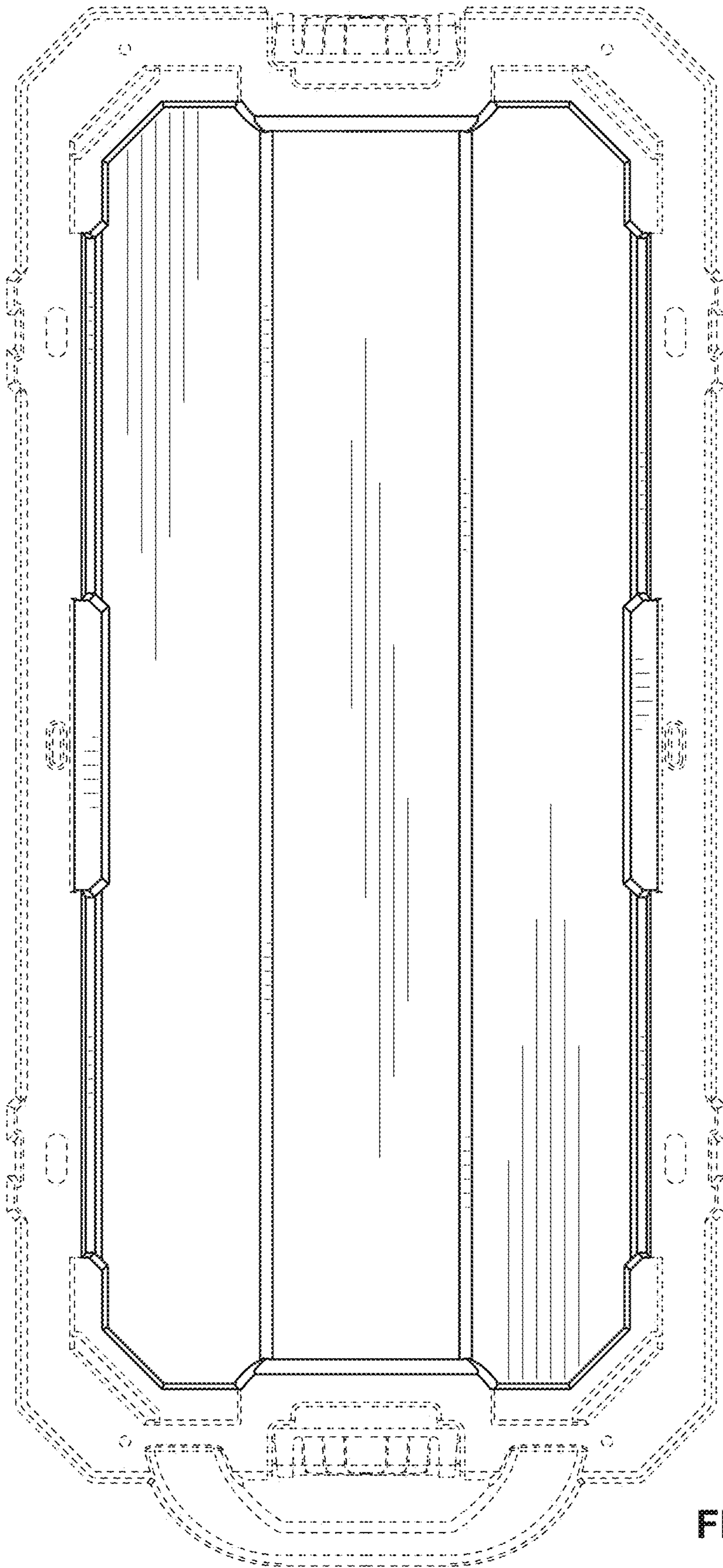


FIG. 5

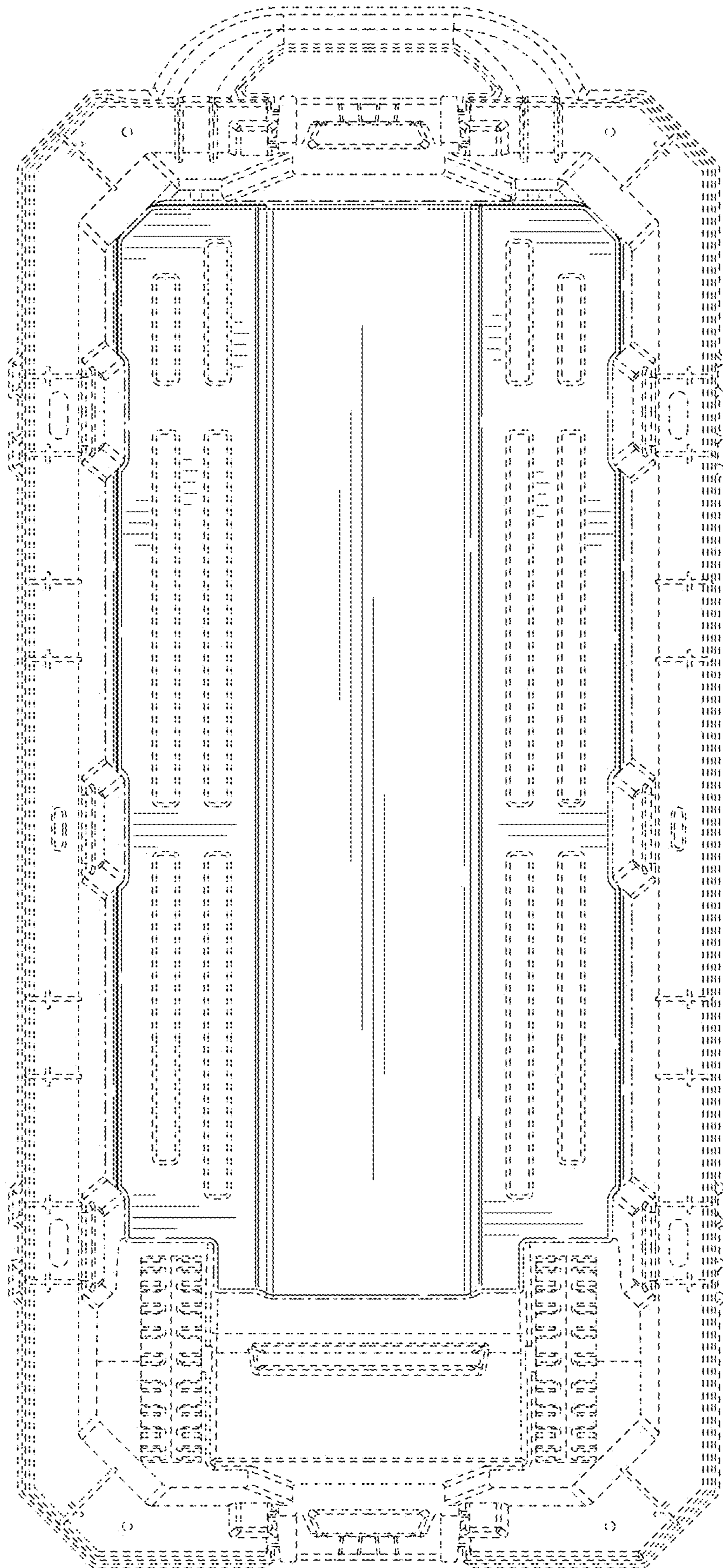


FIG. 6

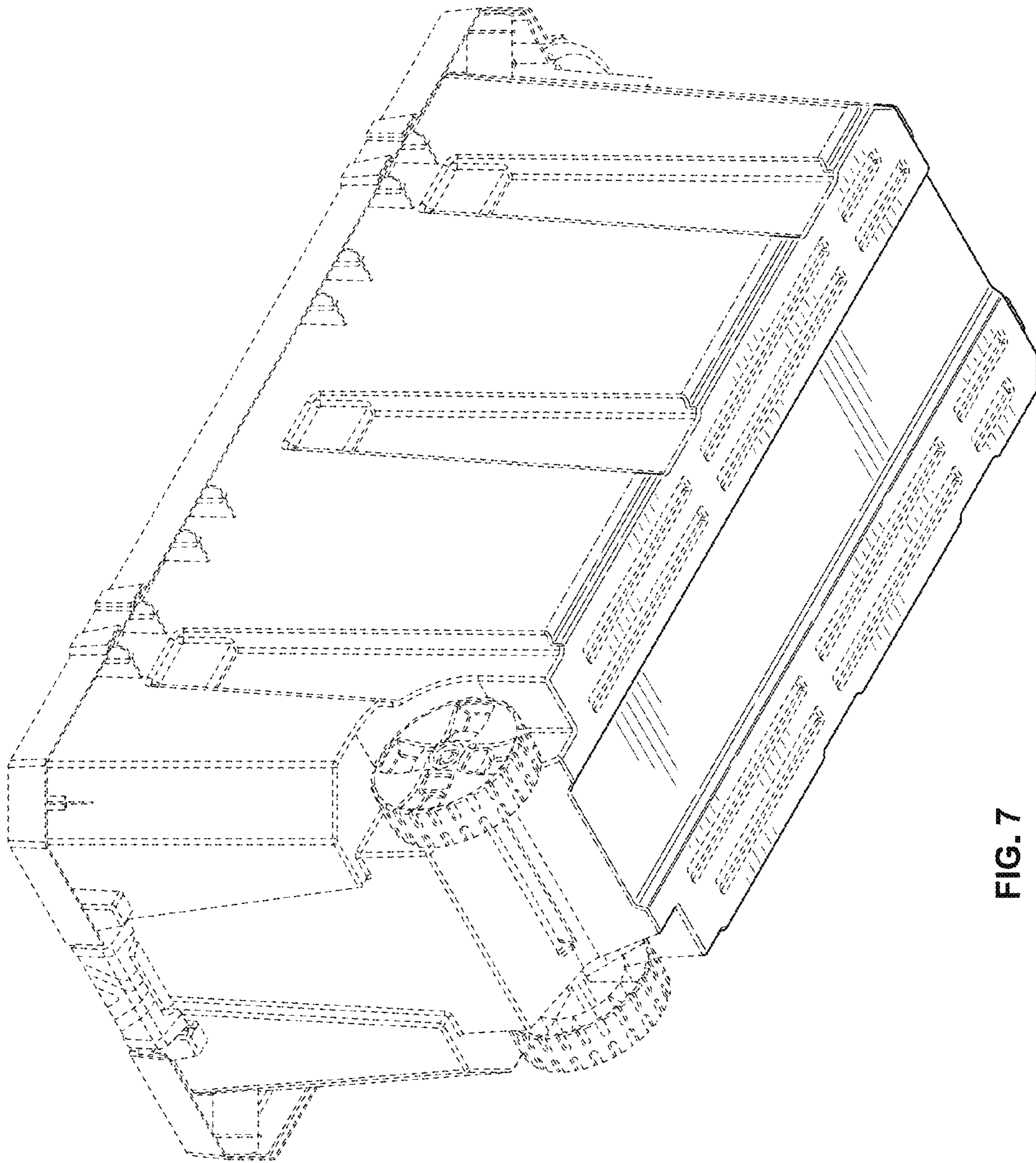


FIG. 7