



US00D884345S

(12) **United States Design Patent** (10) **Patent No.:** **US D884,345 S**
Stecki (45) **Date of Patent:** **** May 19, 2020**

(54) **BAG**
(71) Applicant: **WHINEWARE, INC.**, Chicago, IL (US)
(72) Inventor: **Elisabeth Stecki**, Chicago, IL (US)
(73) Assignee: **WHINEWARE, INC.**, Chicago, IL (US)
(**) Term: **15 Years**
(21) Appl. No.: **29/643,046**
(22) Filed: **Apr. 4, 2018**
(51) **LOC (12) Cl.** **03-01**
(52) **U.S. Cl.**
USPC **D3/301**
(58) **Field of Classification Search**
USPC D3/201, 202, 205–206, 226, 232–234,
D3/239, 242, 245, 247–252, 301, 303,
D3/323, 900
CPC .. A45C 1/02; A45C 1/024; A45C 3/00; A45C
3/04; A45C 3/045; A45C 2003/002; A45C
2005/032; A45C 2005/035; A45C
2200/20
See application file for complete search history.

D765,391 S * 9/2016 Dybdahl D3/205
D777,432 S * 1/2017 Duvigneau D3/306
D814,188 S * 4/2018 Bell D3/301
D843,112 S * 3/2019 Murray D3/313
2016/0135561 A1* 5/2016 Gaspero A45C 7/0086
150/112

OTHER PUBLICATIONS

Whineware, posted at instagram.com, posting on May 18, 2017, online, URL:https://www.instagram.com/p/BUPhX2cIRlu/ (Year: 2017).*

(Continued)

Primary Examiner — Barbara Fox
Assistant Examiner — Mary Shannon Malley
(74) *Attorney, Agent, or Firm* — Loza & Loza, LLP;
Heidi L. Eisenhut

(57) **CLAIM**

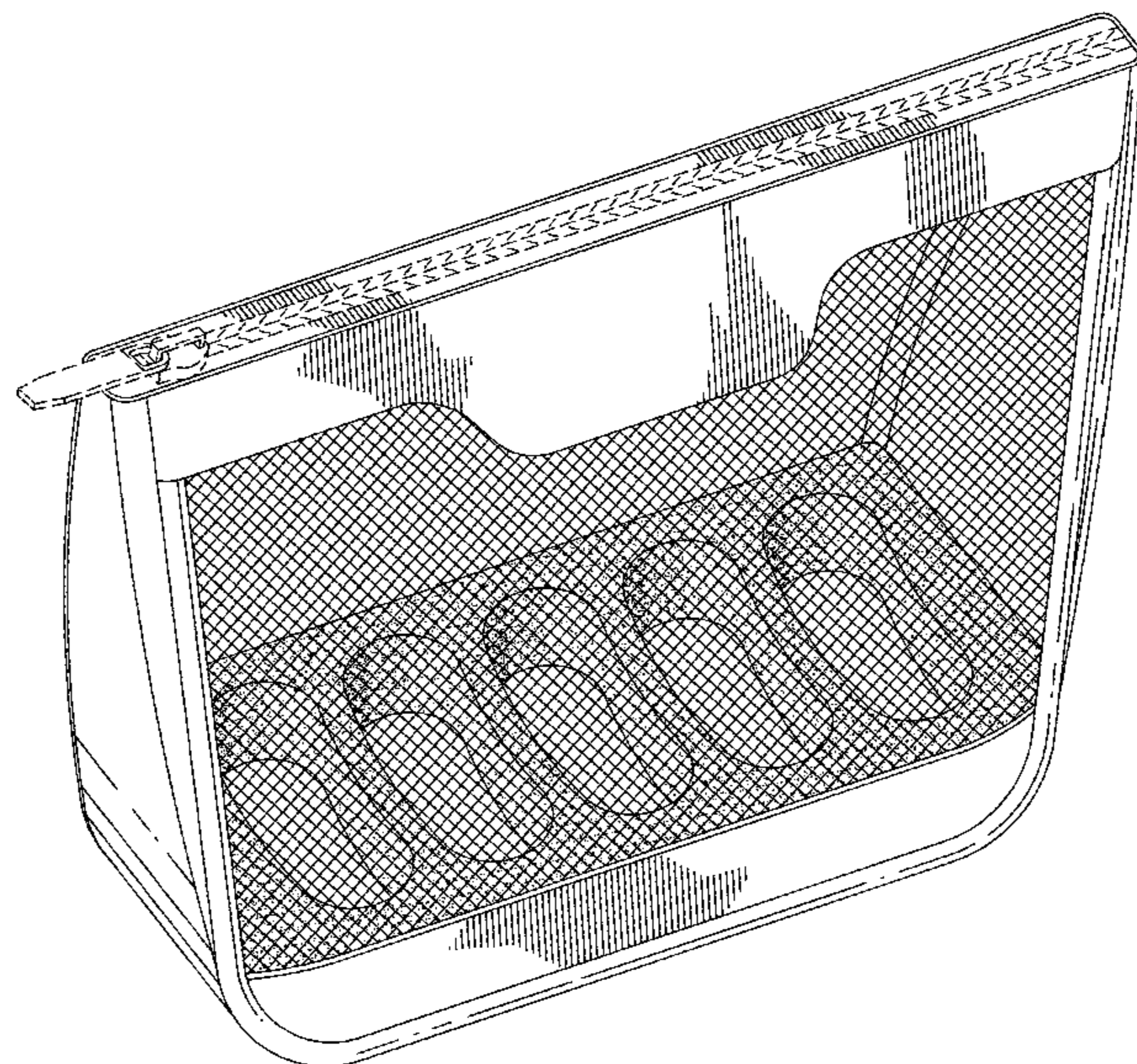
The ornamental design for a bag, as shown and described.

DESCRIPTION

FIG. 1 is a front top left perspective view of a bag of the present invention;
FIG. 2 is a rear top left perspective view of the bag of FIG. 1;
FIG. 3 is a front elevation view of the bag of FIG. 1;
FIG. 4 is a rear elevation view of the bag of FIG. 1;
FIG. 5 is a left side elevation view of the bag of FIG. 1;
FIG. 6 is a right side elevation view of the bag of FIG. 1;
FIG. 7 is a top plan view of the bag of FIG. 1; and,
FIG. 8 is a bottom plan view of the bag of FIG. 1.
The broken lines in the drawings depict portions of the bag that form no part of the claimed design.

1 Claim, 6 Drawing Sheets

(56) **References Cited**
U.S. PATENT DOCUMENTS
3,347,354 A * 10/1967 West A45C 13/02
206/541
D344,407 S * 2/1994 Derrickson D3/245
D442,362 S * 5/2001 Pontious D3/205
D453,416 S * 2/2002 Terry D3/205
D564,218 S * 3/2008 Bagus D3/205
D590,156 S * 4/2009 de Vries-Peters D3/303
D609,456 S * 2/2010 Busam D3/206
D658,871 S * 5/2012 Voit D3/226
D711,651 S * 8/2014 Koenig D3/303
D748,917 S * 2/2016 McDonough D3/315



(56)

References Cited

OTHER PUBLICATIONS

Whineware, posted at facebook.com, posting on Nov. 6, 2017, online, URL:<https://www.facebook.com/Whineware/photos/a.1755195528076876/1910968879166206/?type=3&theater> (Year: 2017).*

Whineware, posted at facebook.com, posted on Feb. 10, 2017, online, URL: <https://www.facebook.com/Whineware/photos/a.1755195528076876/1793735830889512/?type=3&theater> (Year: 2017).*

Whineware, posted at instagram.com, posting on Nov. 21, 2016, online, URL:<https://www.instagram.com/p/BNFg740ADkj/> (Year: 2016).*

* cited by examiner

FIG. 1

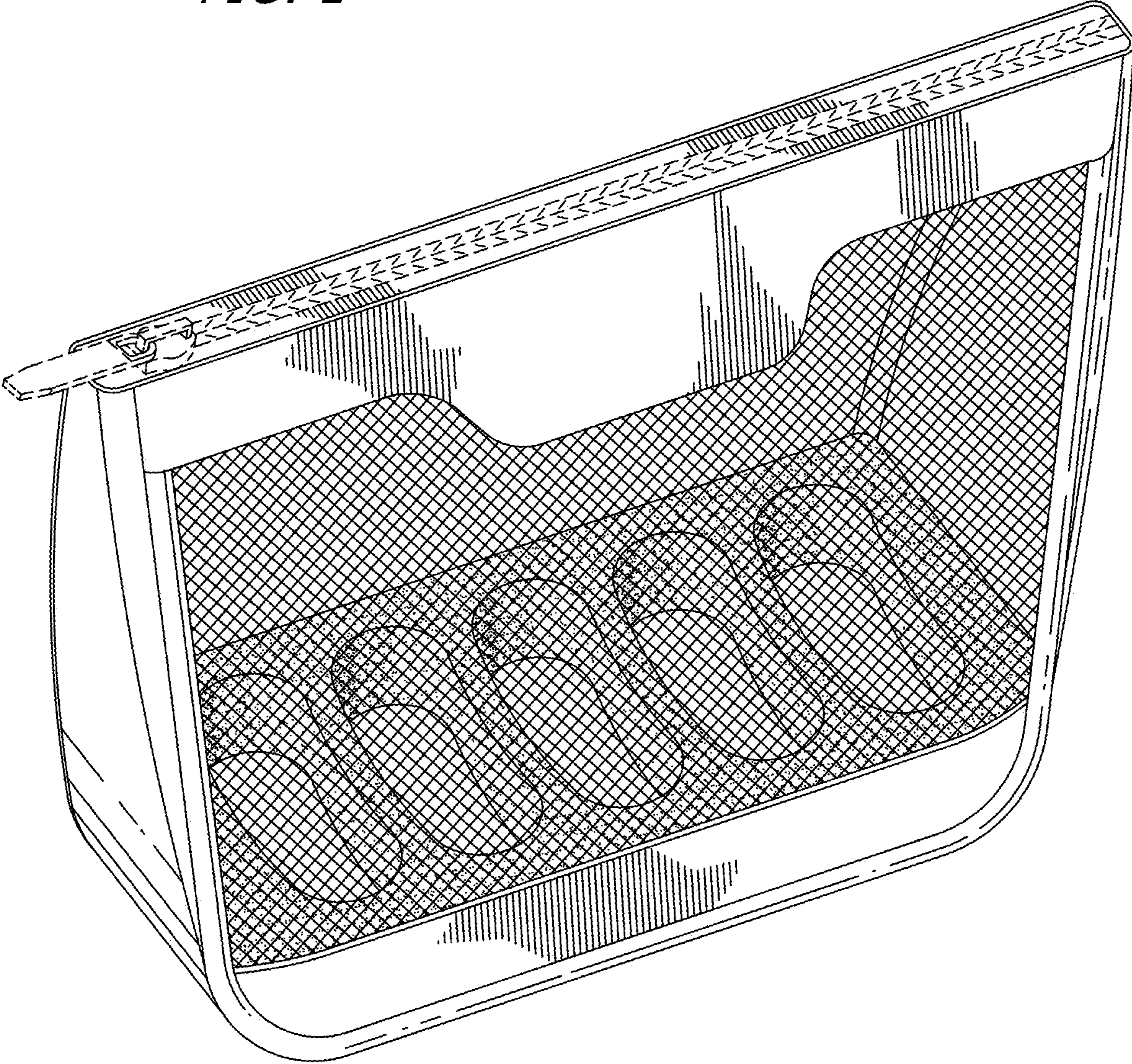


FIG. 2

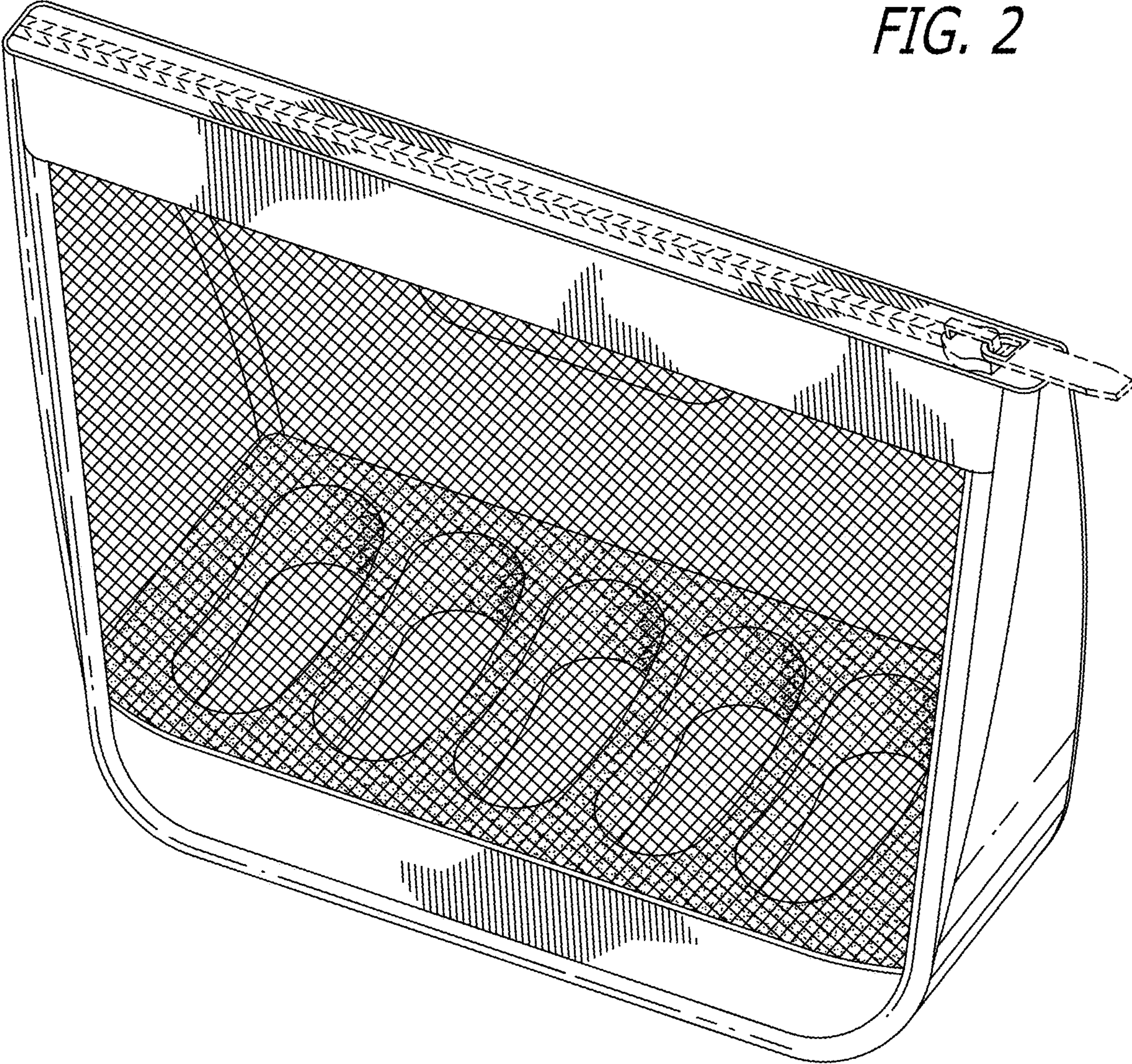


FIG. 3

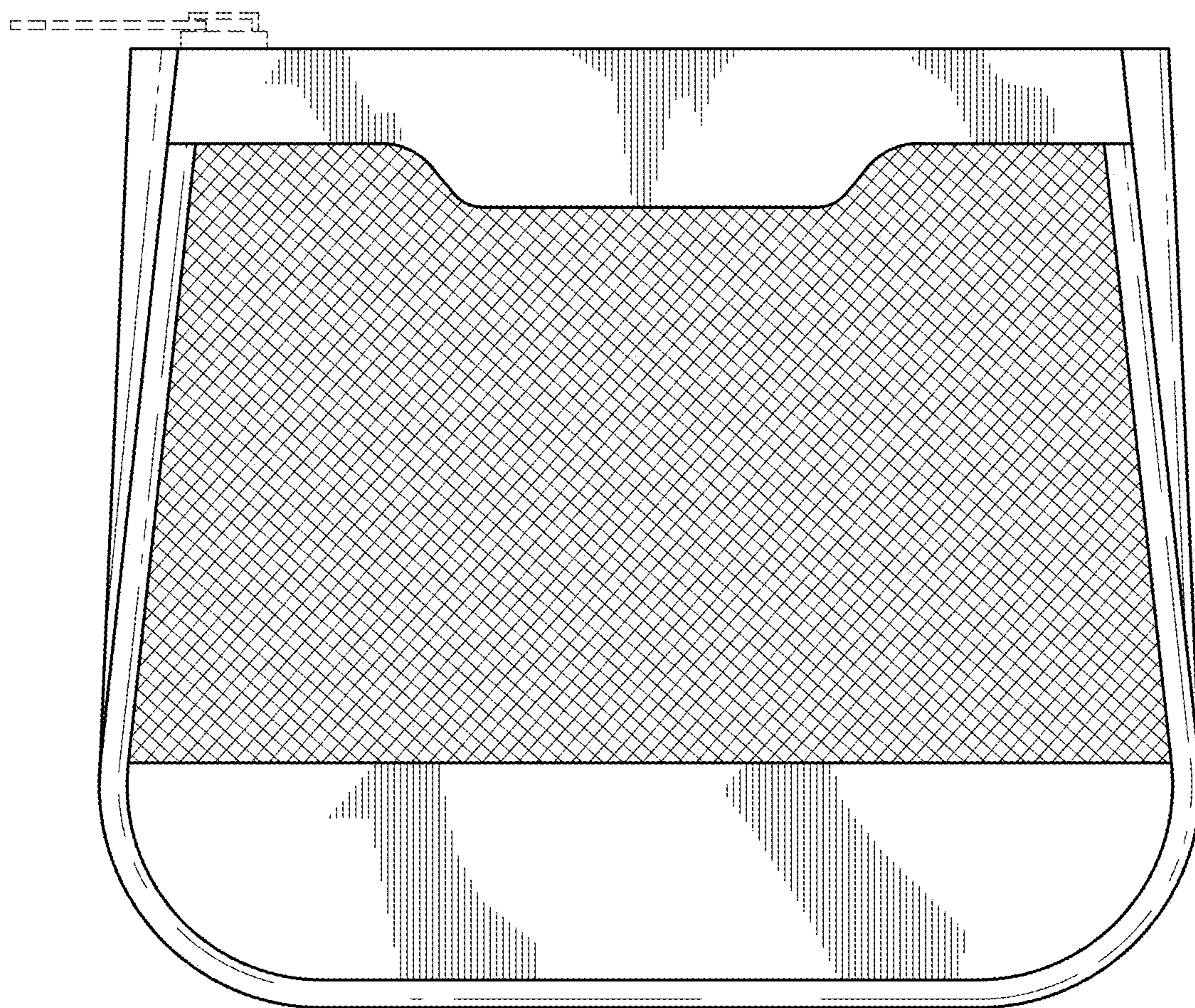
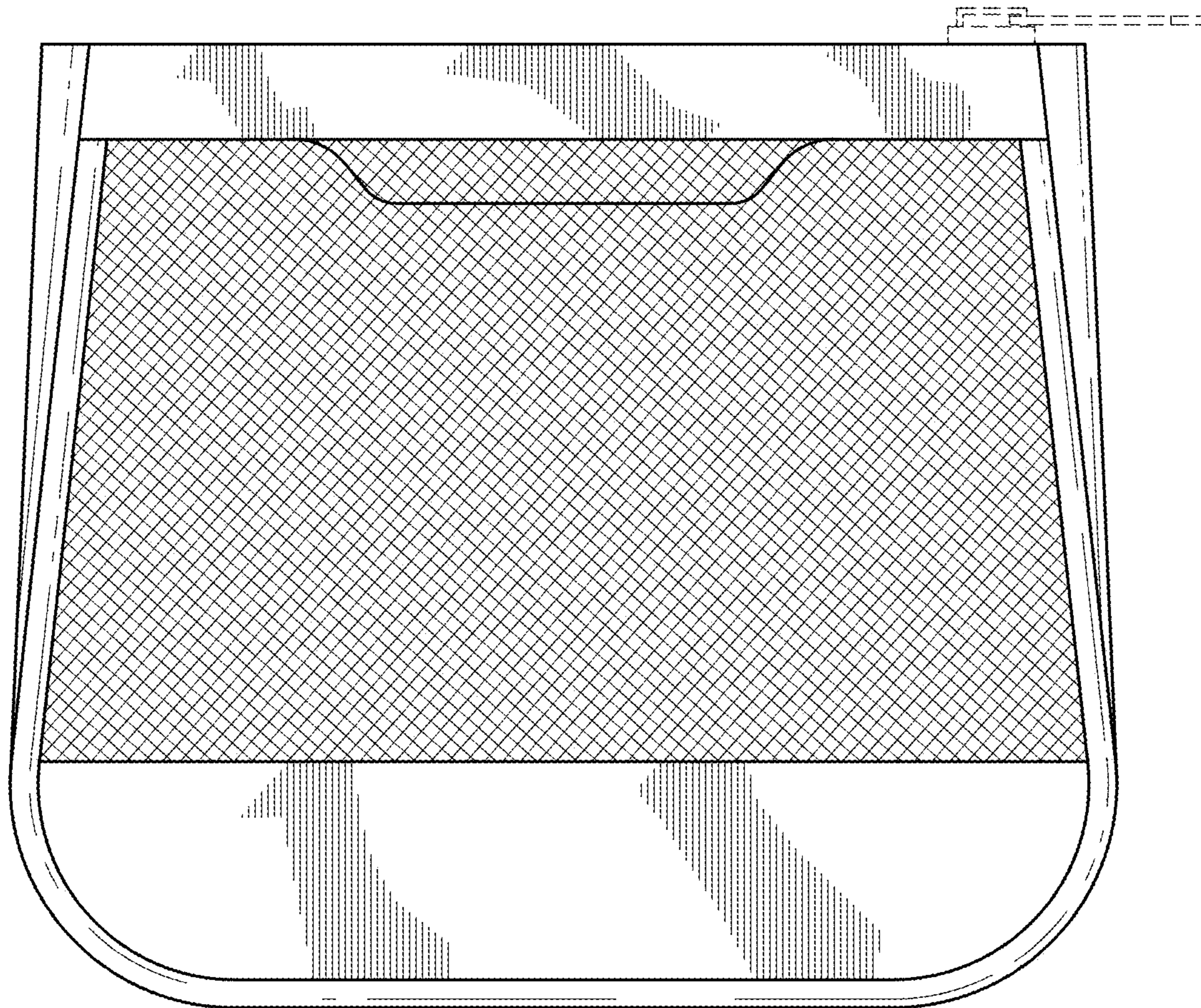


FIG. 4



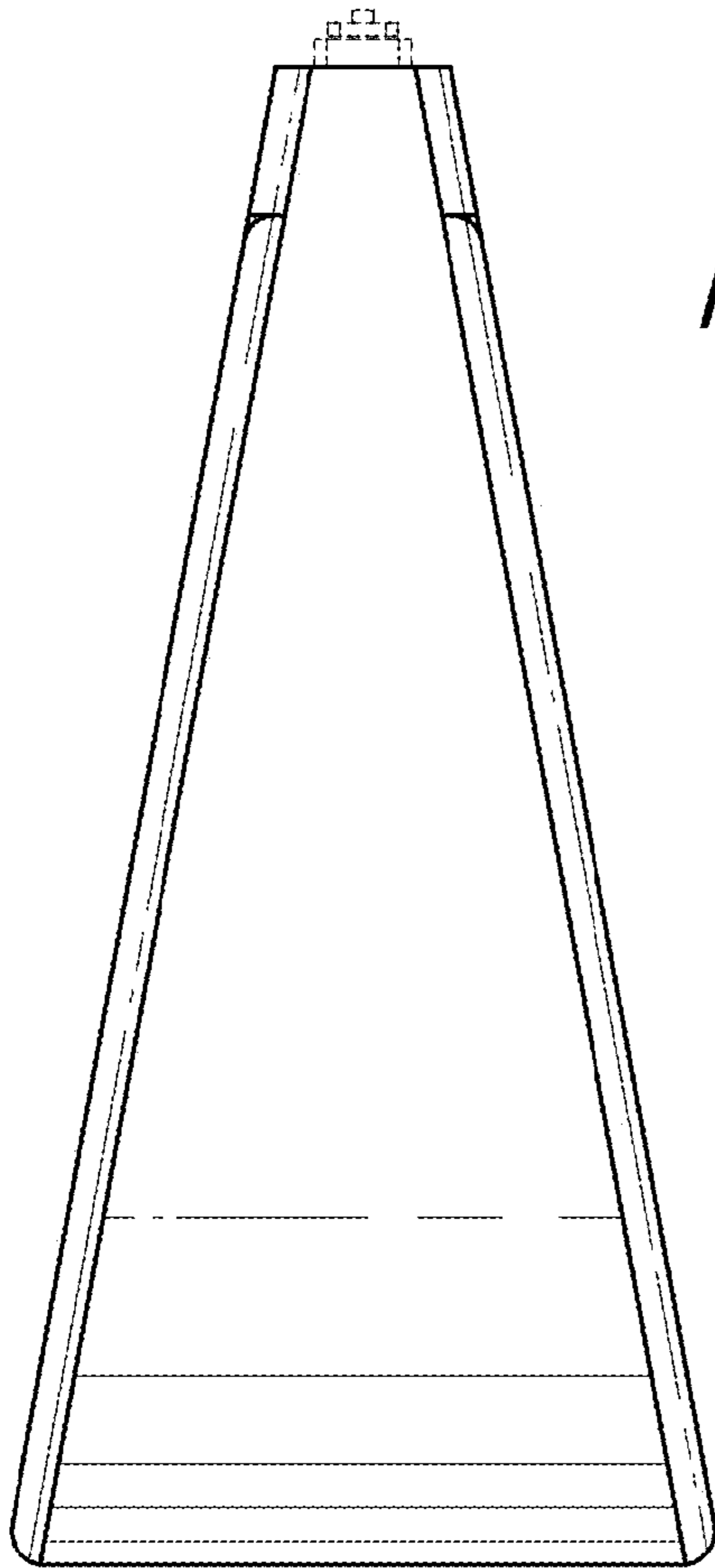


FIG. 5

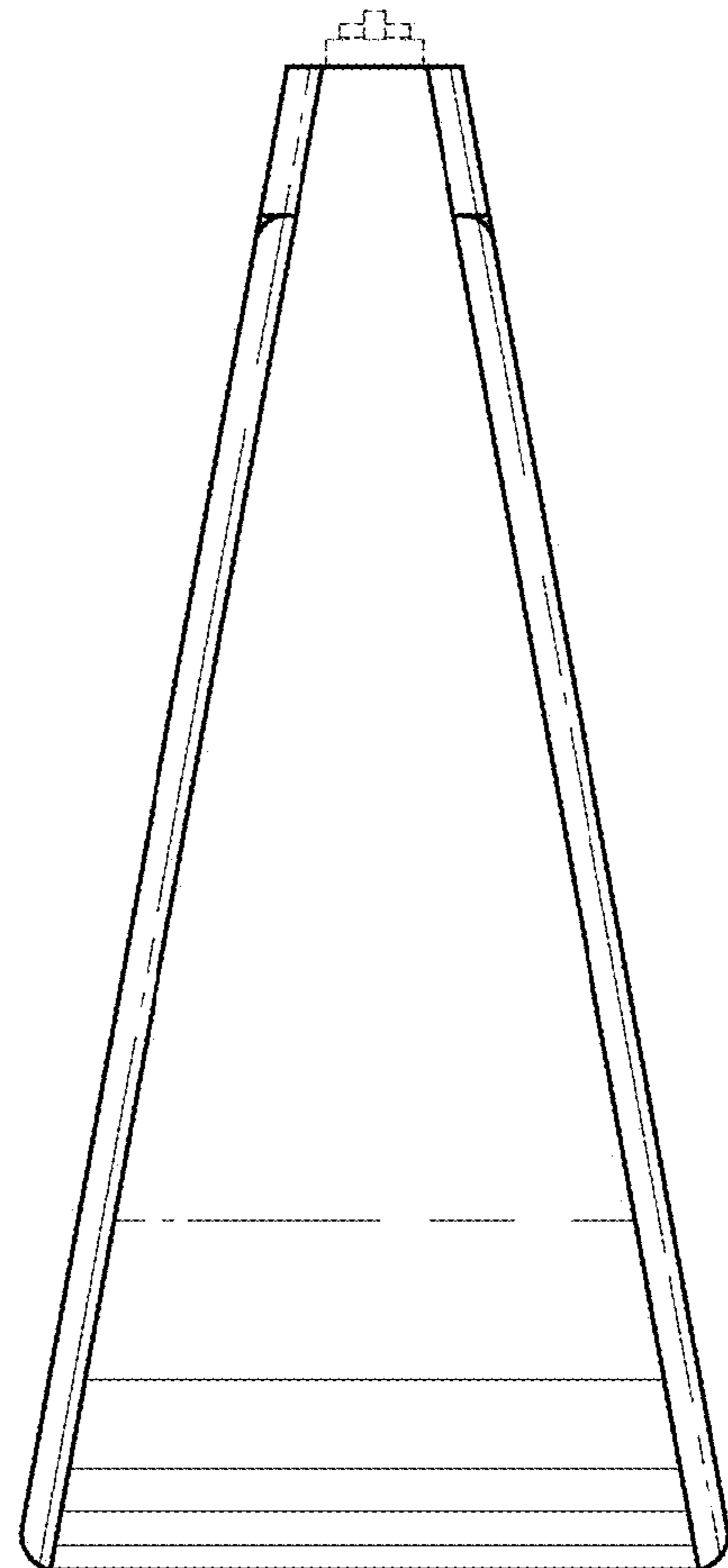


FIG. 6

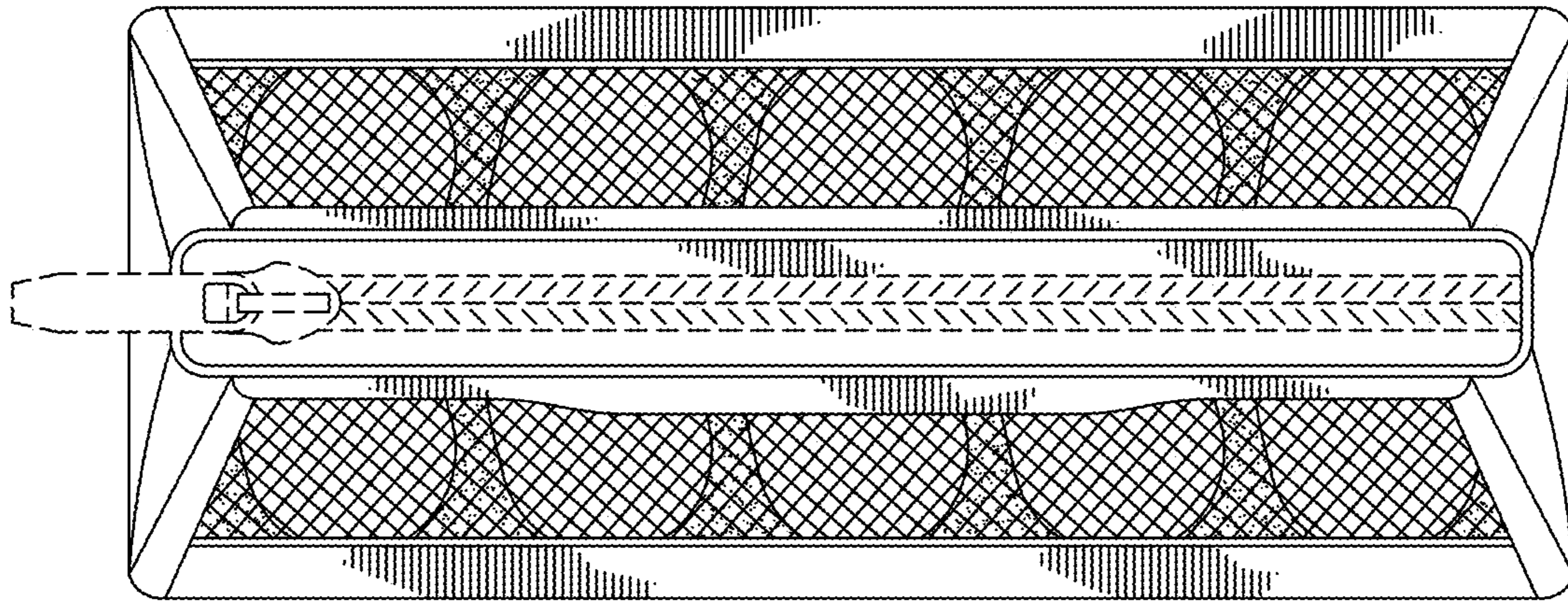


FIG. 7

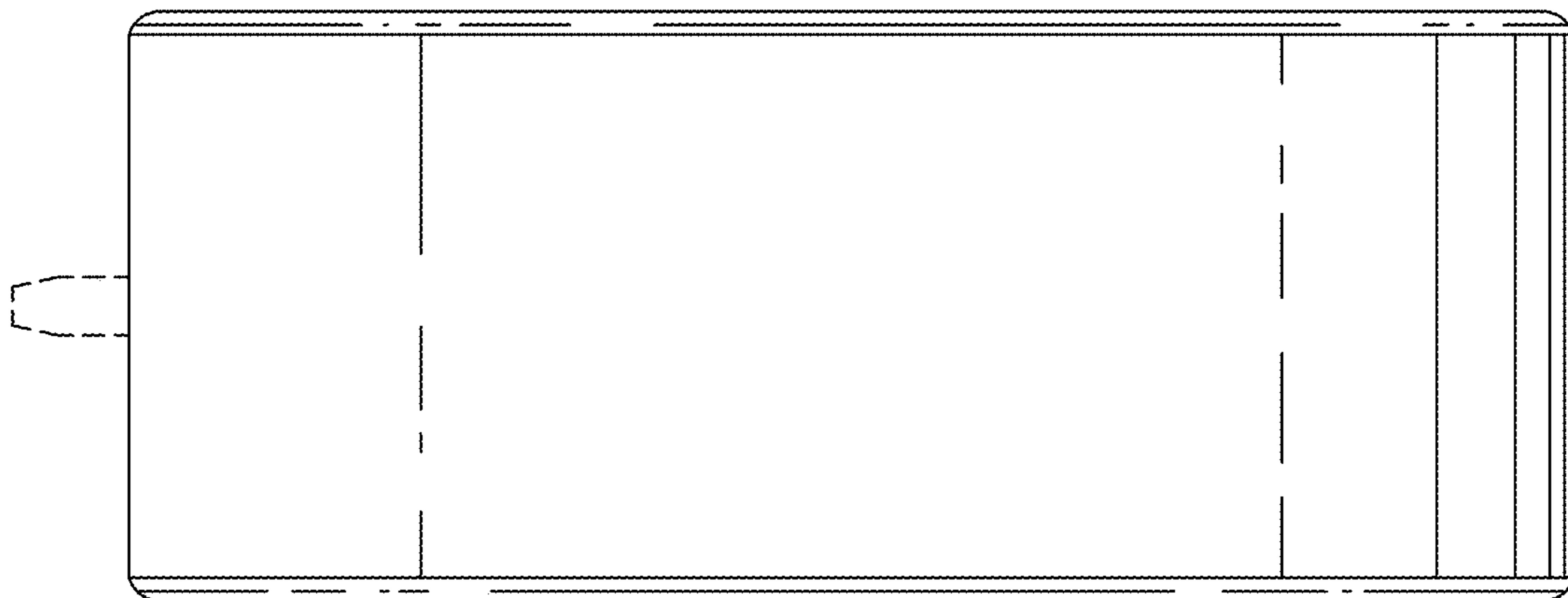


FIG. 8