

US00D884344S

(12) **United States Design Patent** (10) **Patent No.:** **US D884,344 S**
Jewett et al. (45) **Date of Patent:** **** May 19, 2020**

(54) **CONTAINER FOR HOLDING AN ATHLETIC GLOVE**

(71) Applicants: **Daniel Lee Jewett**, North Aurora, IL (US); **Marc Albert Besteman**, Chicago, IL (US)

(72) Inventors: **Daniel Lee Jewett**, North Aurora, IL (US); **Marc Albert Besteman**, Chicago, IL (US)

(**) Term: **15 Years**

(21) Appl. No.: **29/639,533**

(22) Filed: **Mar. 7, 2018**

(51) **LOC (12) Cl.** **03-01**

(52) **U.S. Cl.**
USPC **D3/294**

(58) **Field of Classification Search**
USPC D3/203.1, 203.3, 205, 260, 272, 273, D3/274, 275, 276, 279, 280, 281, 282, D3/283, 284, 292, 294, 295, 296, 297, D3/302, 315, 319, 900, 901, 903, 905, D3/254, 256, 904, 329; 206/278, 579, 206/213, 315.1; D28/38, 83; D14/315; D26/58; D27/180, 183, 186, 187, 189, D27/191

CPC A45C 5/04; A45C 15/04; A45C 11/00; A45C 11/008; A45C 11/16; A45C 11/24; A63B 57/00; A63B 71/0036

See application file for complete search history.

(56) **References Cited**

U.S. PATENT DOCUMENTS

4,061,170 A	12/1977	Marks	
D277,418 S *	1/1985	Hemrich, Jr.	D28/38
D277,420 S *	1/1985	Bakic	D28/83
4,565,287 A	1/1986	Rede et al.	
D287,169 S *	12/1986	Trabattoni	D28/83

D315,225 S *	3/1991	Montagnino	D28/38
D366,280 S *	1/1996	Henderson	D14/315
D379,553 S *	5/1997	DiGianni	D27/189
5,642,809 A	7/1997	Mayville	
D421,182 S *	2/2000	Lee	D3/276
6,290,062 B2	9/2001	Ohno et al.	
D558,977 S *	1/2008	Pearl	D3/294
D575,956 S *	9/2008	Reardon	D3/295
9,205,319 B2	12/2015	McQuinn	
D782,868 S *	4/2017	Lien	D14/125
D784,300 S *	4/2017	Leabman	D14/230

(Continued)

Primary Examiner — Barbara Fox

Assistant Examiner — Mary Shannon Malley

(74) *Attorney, Agent, or Firm* — Schacht Law Office, Inc.; Paul J. Nykaza

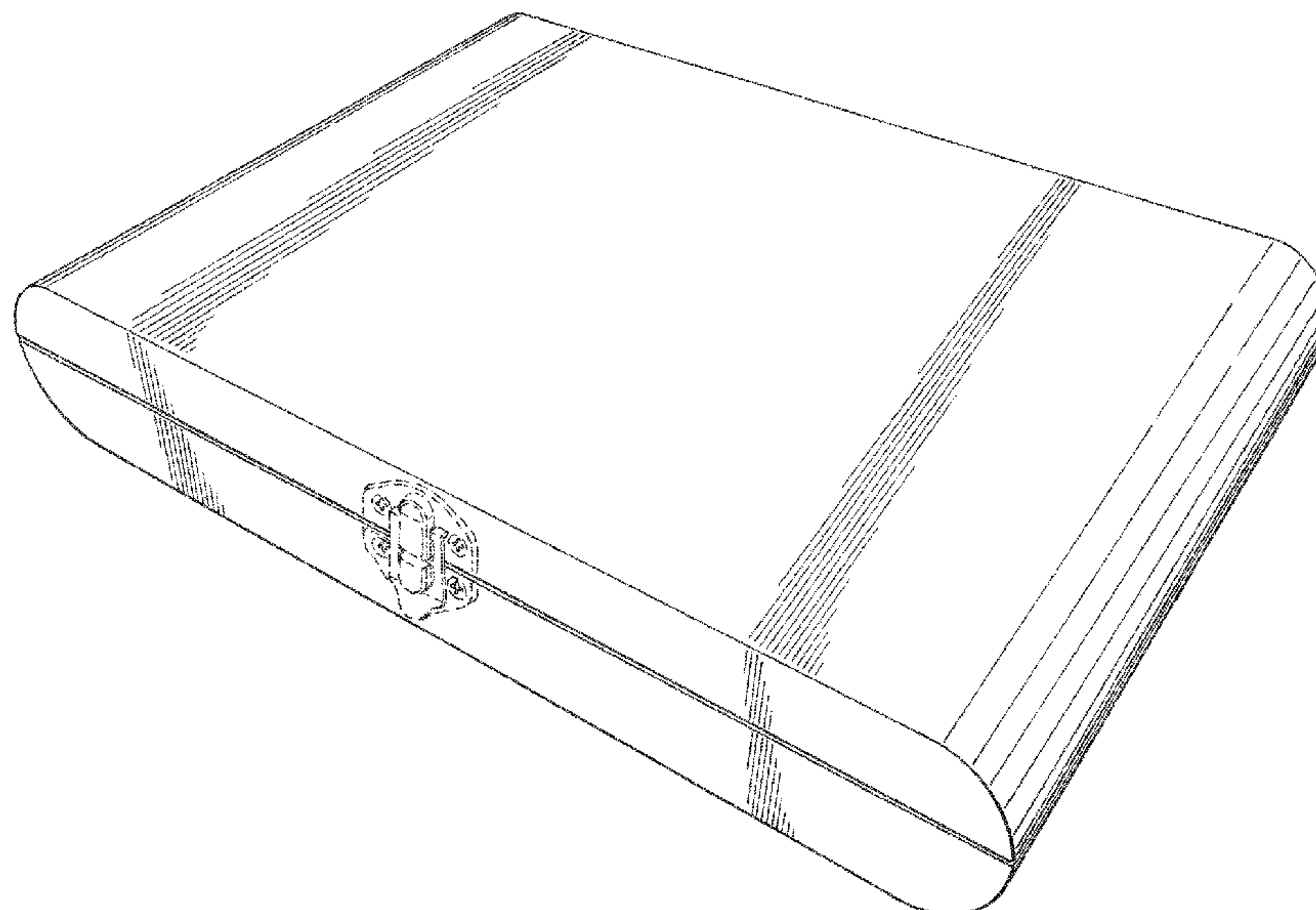
(57) **CLAIM**

We claim the ornamental design for a container for holding an athletic glove, as shown and described.

DESCRIPTION

FIG. 1 is a perspective view of the container for holding an athletic glove;
 FIG. 2 is a top plan view of the container for holding an athletic glove shown in FIG. 1;
 FIG. 3 is a front view of the container for holding an athletic glove shown in FIG. 1;
 FIG. 4 is a rear view of the container for holding an athletic glove shown in FIG. 1;
 FIG. 5 is a side view of the container for holding an athletic glove shown in FIG. 1;
 FIG. 6 is a side view, opposite of the side view shown in FIG. 5, of the container for holding an athletic glove shown in FIG. 1; and,
 FIG. 7 is a bottom plan view of the container for holding an athletic glove shown in FIG. 1.
 The broken lines show portions of the container for holding an athletic glove that form no part of the claimed design.

1 Claim, 5 Drawing Sheets



(56)

References Cited

U.S. PATENT DOCUMENTS

D792,409 S *	7/2017	Shim	D14/435
D821,867 S *	7/2018	Oligschlaeger	D9/422
2005/0150807 A1	7/2005	Siwak et al.	
2008/0093255 A1	4/2008	Greaves et al.	
2013/0140202 A1	6/2013	Benoit et al.	

* cited by examiner

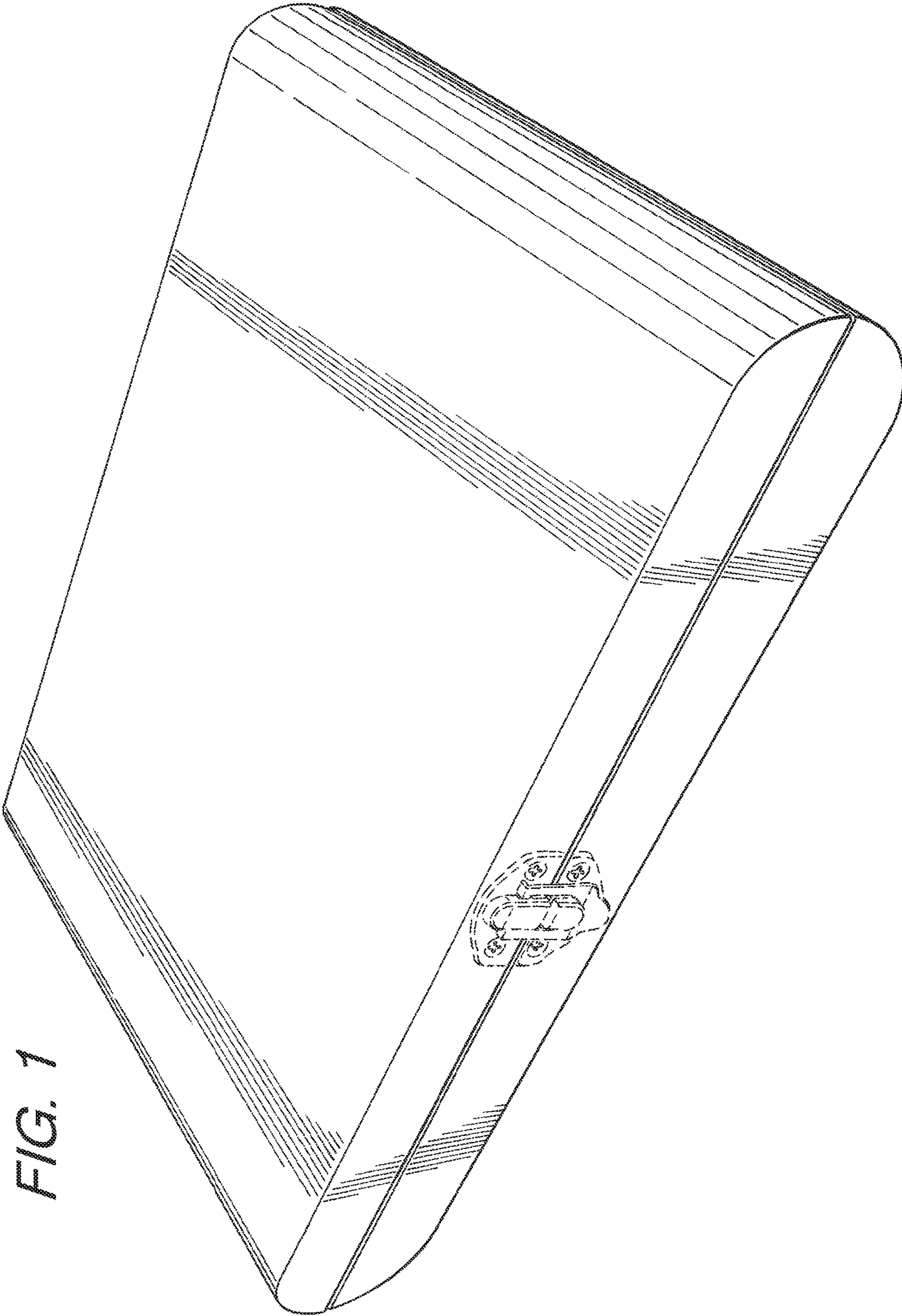


FIG. 1

FIG. 2

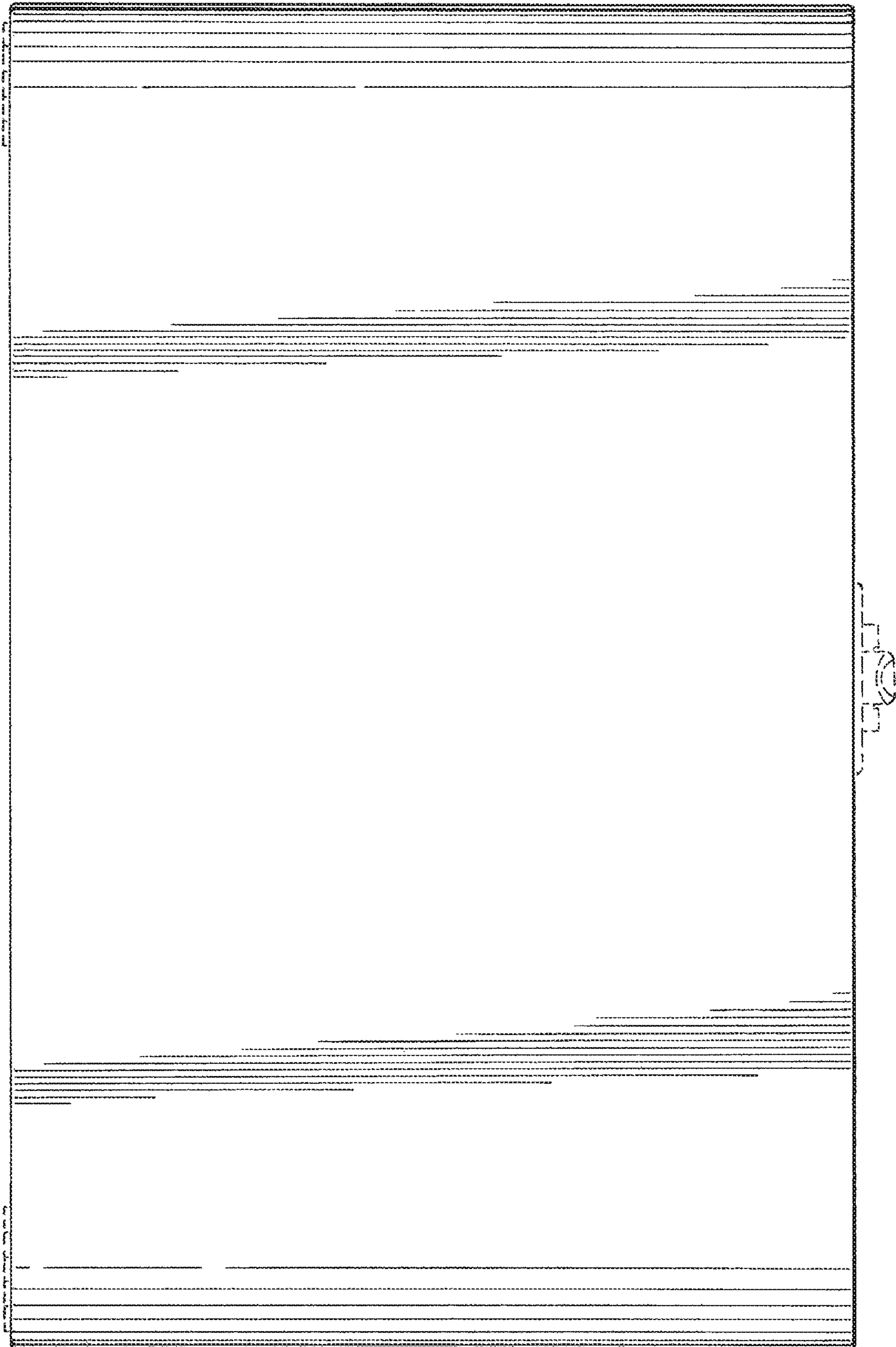


FIG. 3

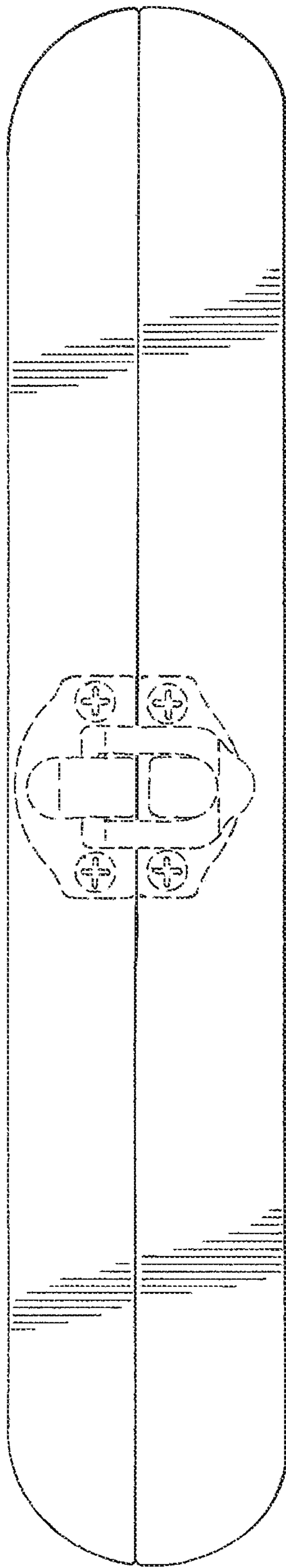
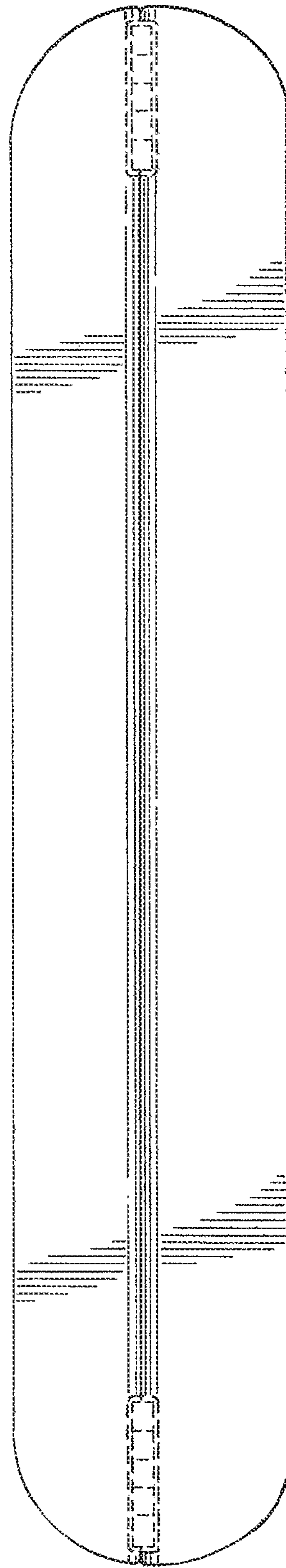


FIG. 4



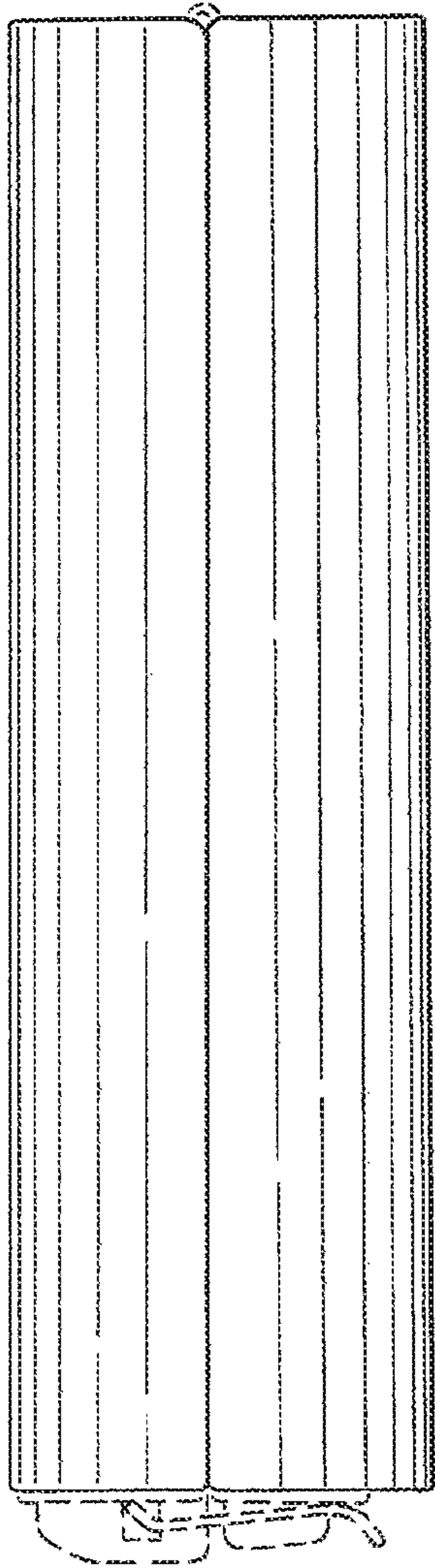


FIG. 5

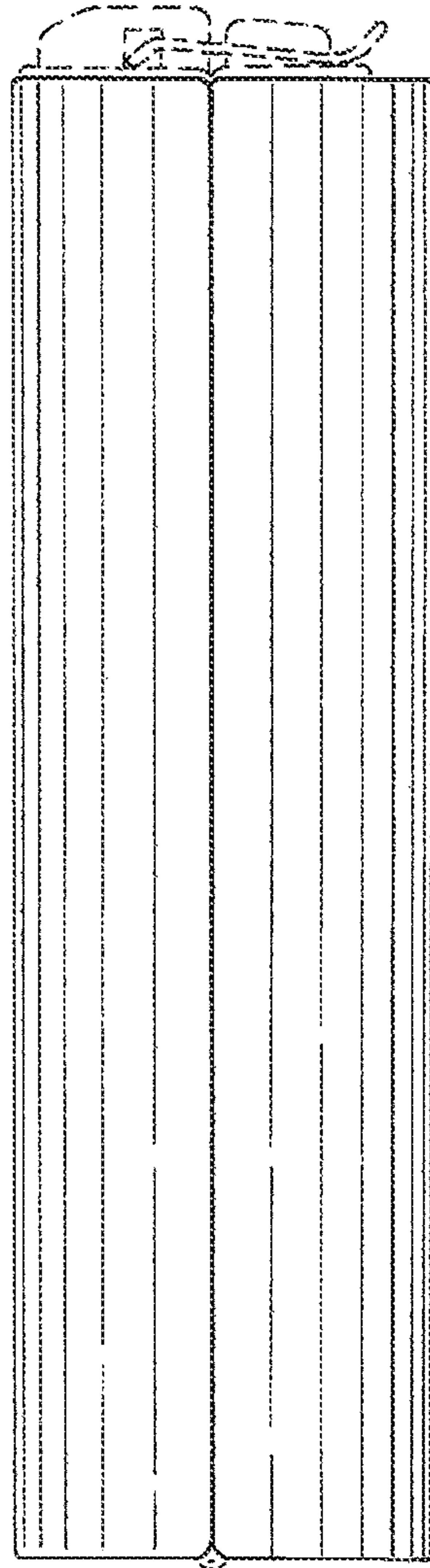


FIG. 6

FIG. 7

