



US00D884339S

(12) **United States Design Patent** (10) **Patent No.:** **US D884,339 S**
Li (45) **Date of Patent:** **** May 19, 2020**

(54) **BADGE HOLDER**
(71) Applicant: **SHENZHEN TWO THOUSAND AND SIXTEEN TECHNOLOGY CO., LTD.**, Shenzhen (CN)
(72) Inventor: **Ling Li**, Shenzhen (CN)
(**) Term: **15 Years**
(21) Appl. No.: **29/709,069**
(22) Filed: **Oct. 11, 2019**
(51) **LOC (12) Cl.** **03-01**
(52) **U.S. Cl.**
USPC **D3/247; D20/27; D20/43**
(58) **Field of Classification Search**
USPC D3/201, 215, 247; D20/19, 22, 27, 40, D20/43, 99
CPC . A45C 1/06; A47C 11/182; A45F 5/00; A45F 2200/005; G09F 3/207
See application file for complete search history.

D831,349 S * 10/2018 Deng G06K 19/07327 D3/247
D866,177 S * 11/2019 Leh G09F 3/203 D3/247
2012/0042550 A1* 2/2012 Chang G09F 3/14 40/634
2015/0077229 A1* 3/2015 Augustinowicz G06K 19/07327 340/10.1
2015/0082672 A1* 3/2015 Peterson G09F 3/207 40/1.6
2019/0008253 A1* 1/2019 Deng A45C 11/182

* cited by examiner

Primary Examiner — Mary Ann Calabrese
(74) *Attorney, Agent, or Firm* — Erson IP (Nelson IP)

(57) **CLAIM**

The ornamental design for a badge holder, as shown and described.

DESCRIPTION

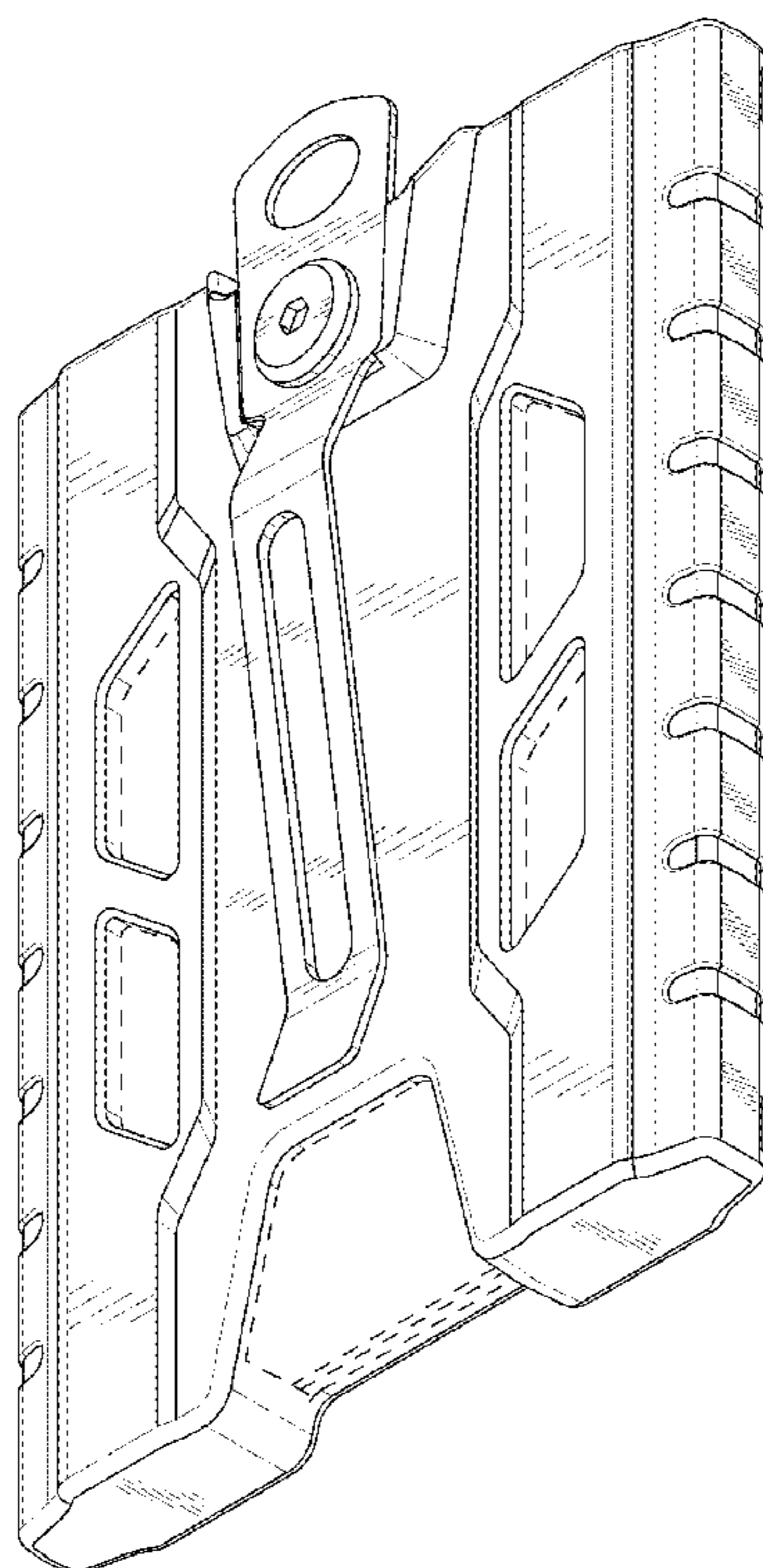
FIG. 1 is a front perspective view of a badge holder showing my new design;
FIG. 2 is a rear perspective view thereof;
FIG. 3 is a front view thereof;
FIG. 4 is a rear view thereof;
FIG. 5 is a left side view thereof;
FIG. 6 is a right side view thereof;
FIG. 7 is a top plan view thereof; and,
FIG. 8 is a bottom plan view thereof.
The broken lines are for the purposes of illustrating portions of the badge holder and form no part of the claimed design.

(56) **References Cited**

U.S. PATENT DOCUMENTS

3,029,537 A * 4/1962 Hopp G09F 3/203 40/653
D299,475 S * 1/1989 Munnik D19/78
D685,987 S * 7/2013 Lazott et al.
D765,392 S * 9/2016 Chang G09F 3/207 D3/215
D811,730 S * 3/2018 Pullum G09F 3/14 D3/218
D814,183 S * 4/2018 Haarburger A45C 11/182 D3/247

1 Claim, 8 Drawing Sheets



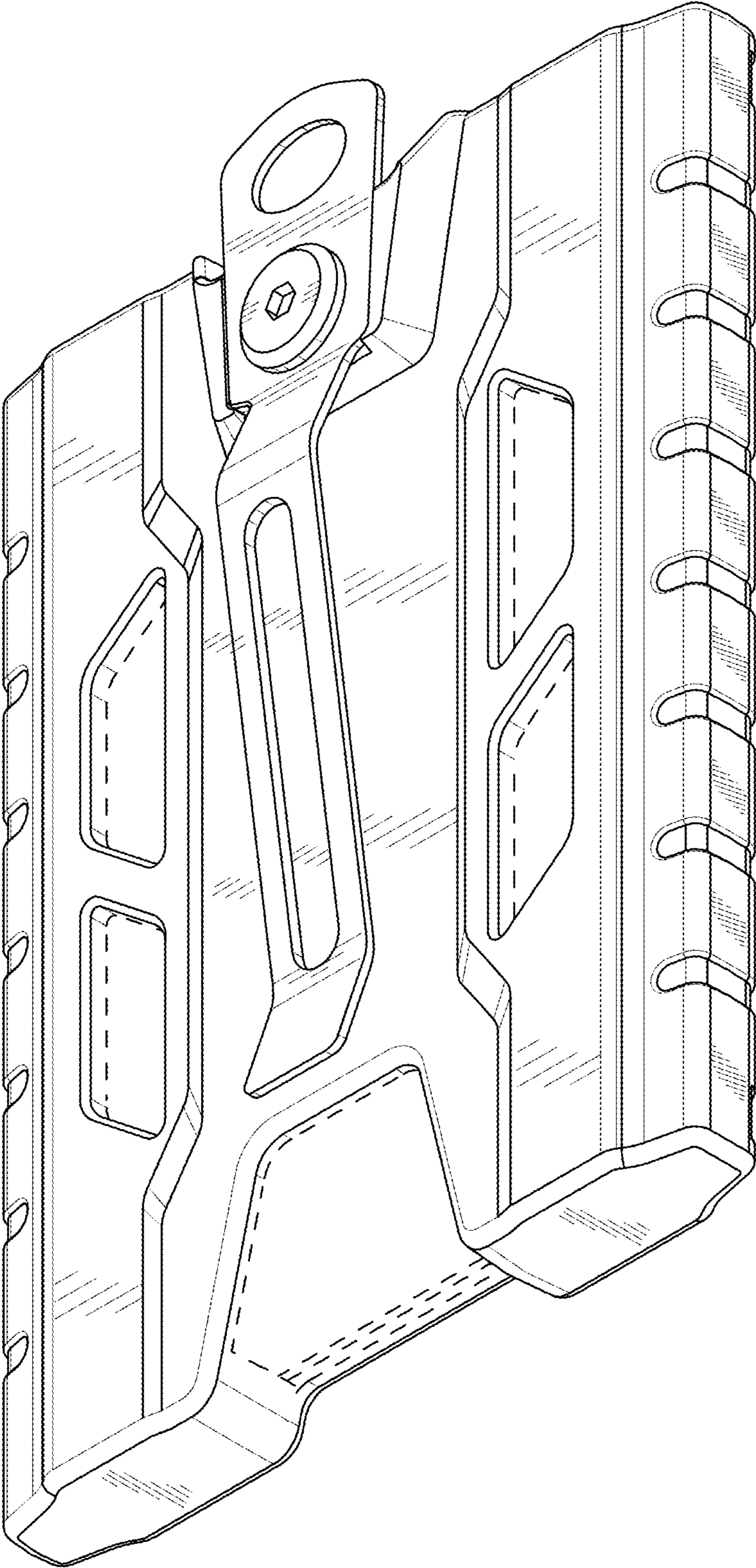


FIG. 1

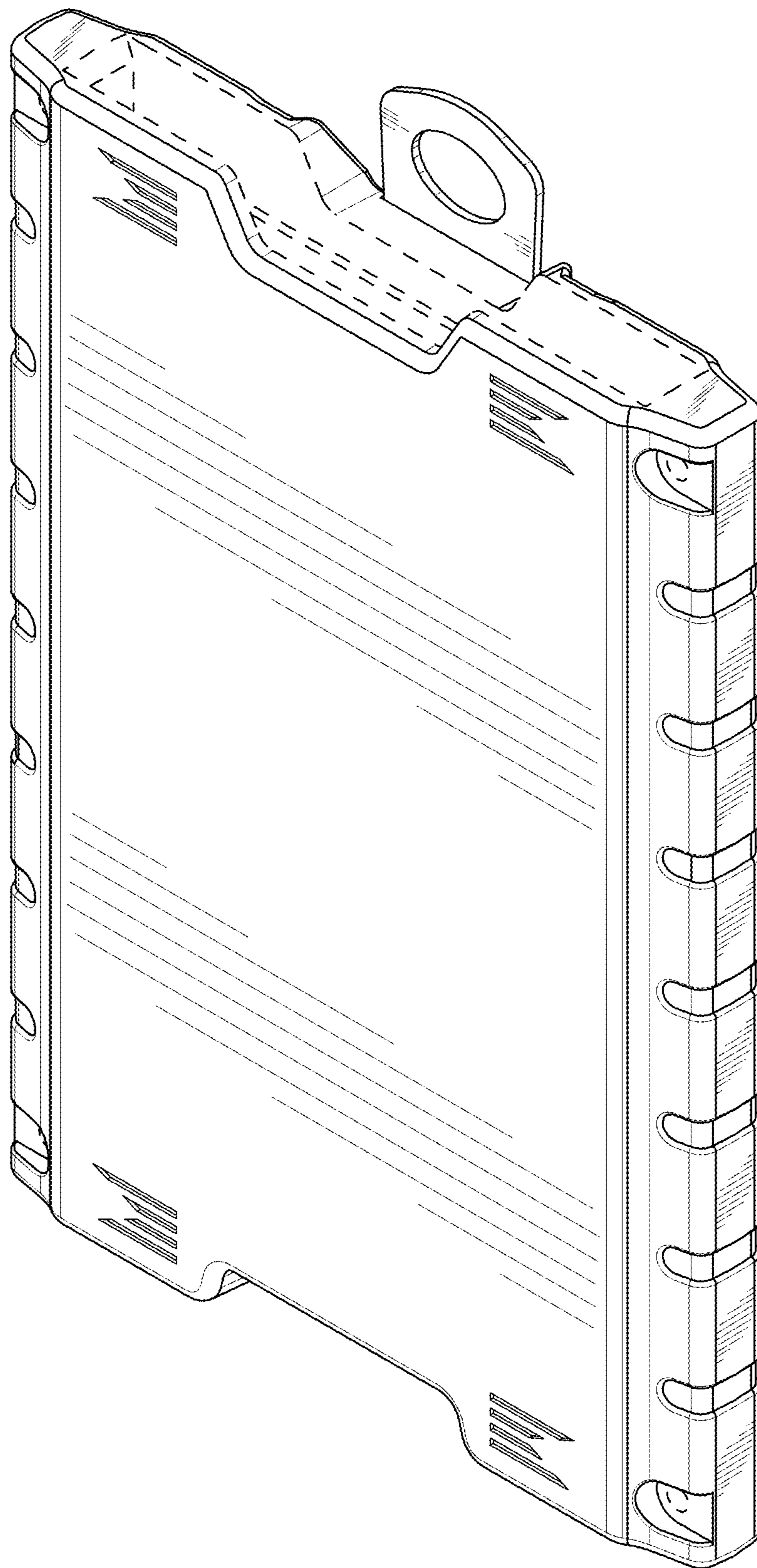


FIG. 2

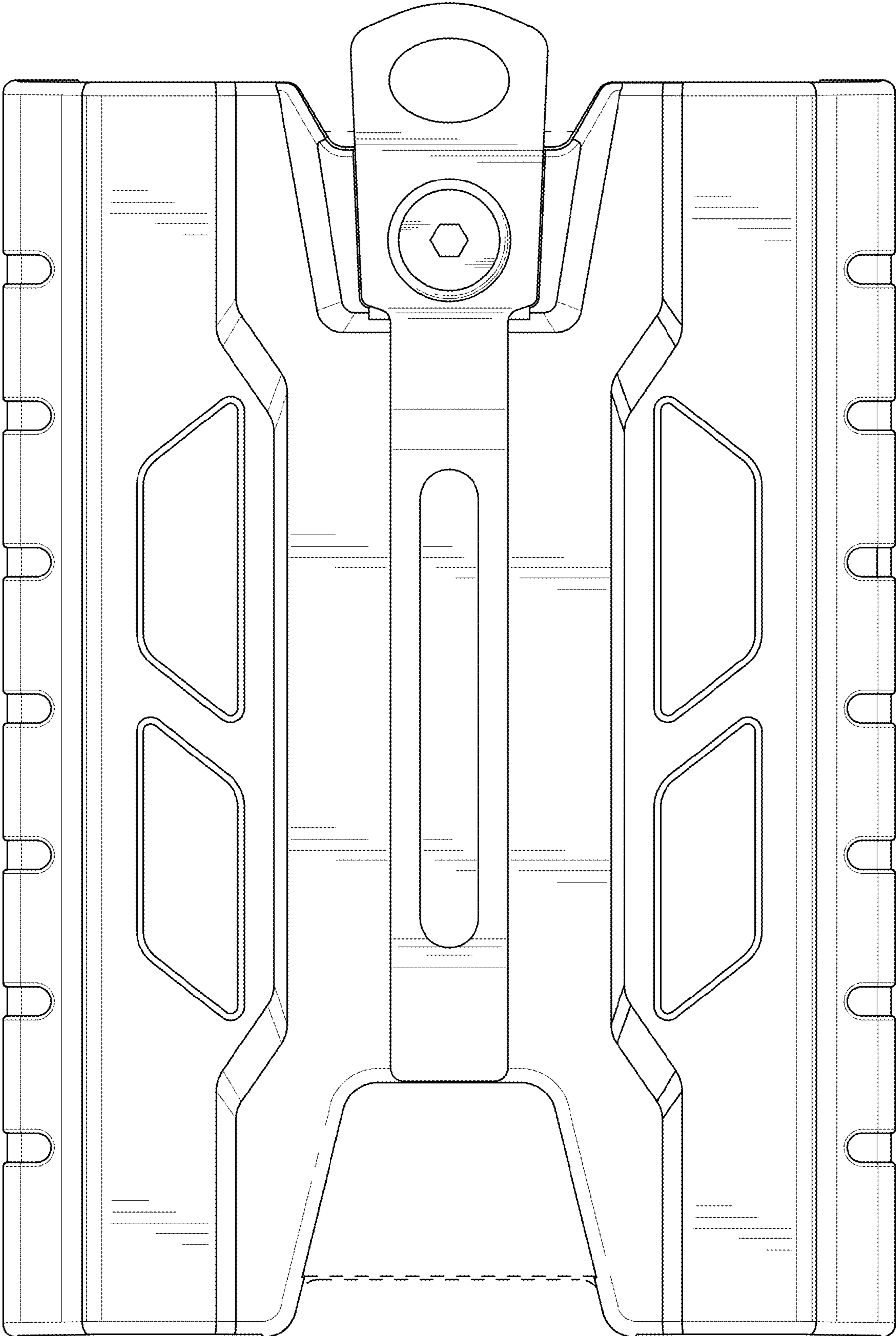


FIG. 3

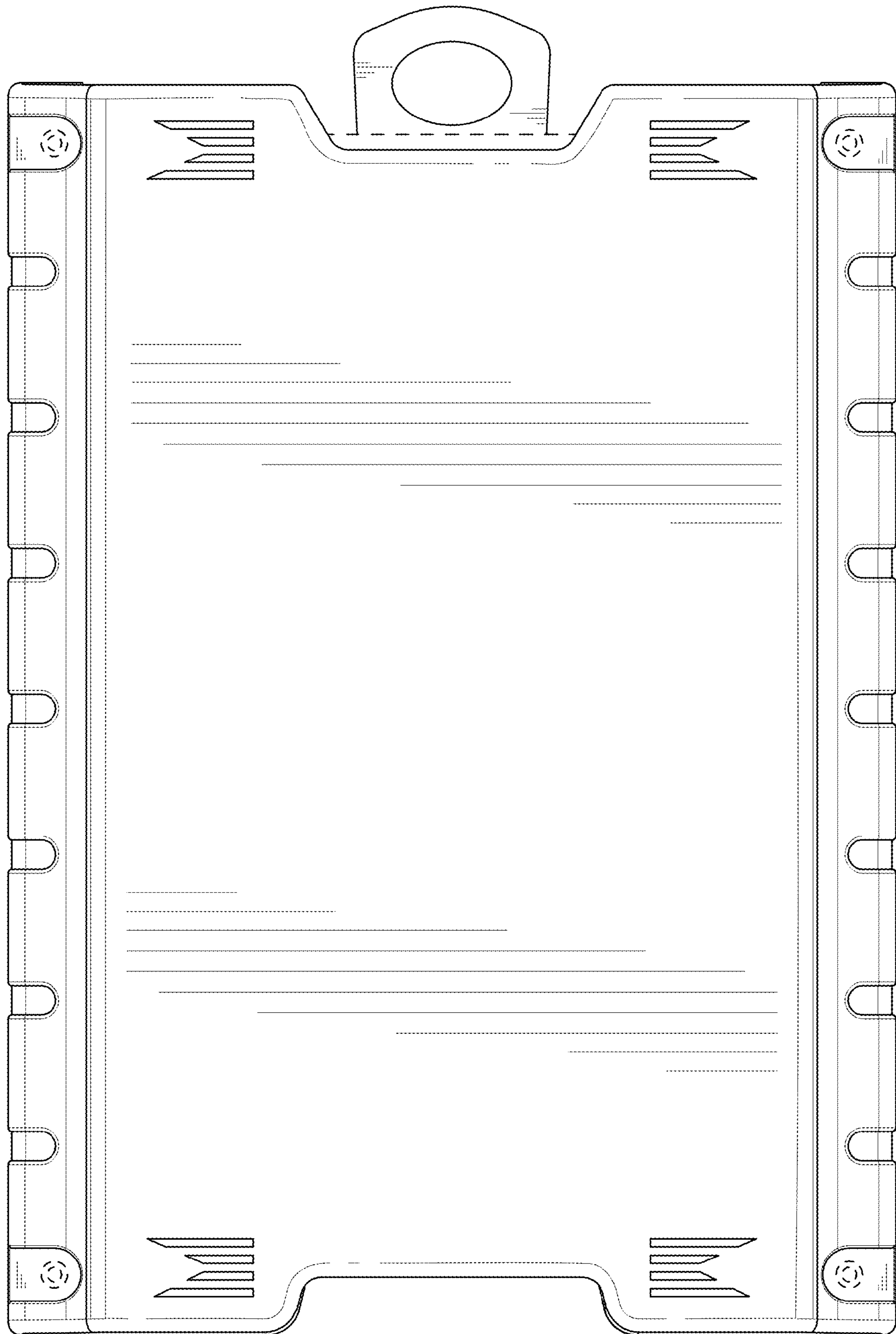


FIG. 4

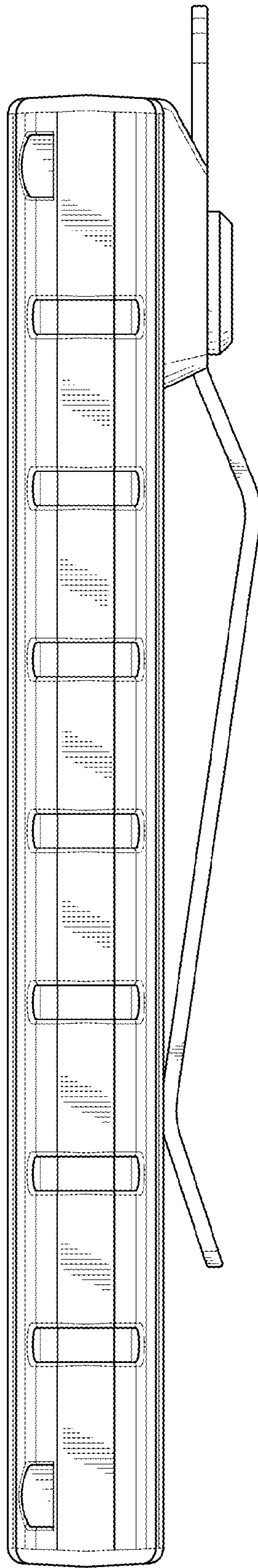


FIG. 5

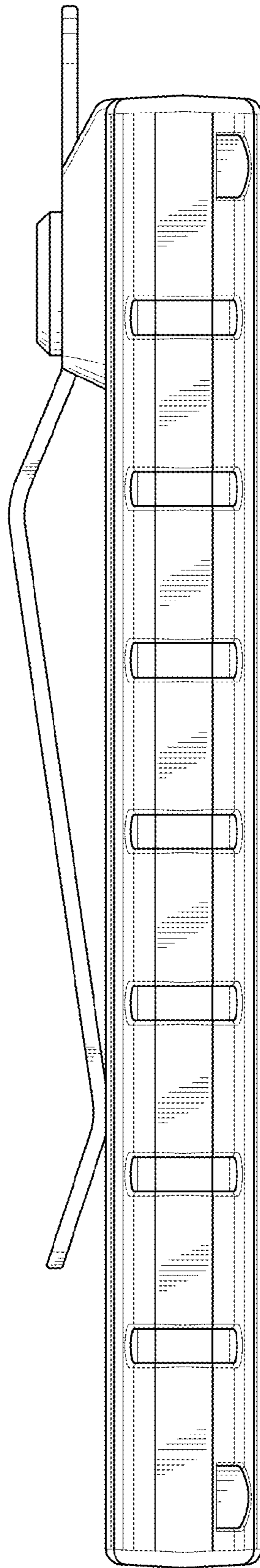


FIG. 6

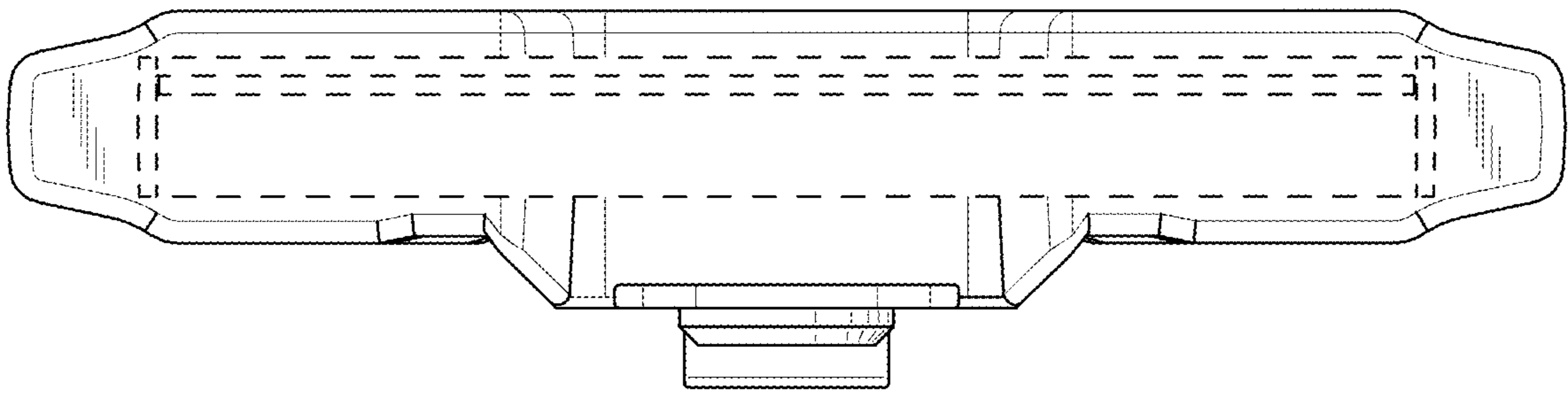


FIG. 7

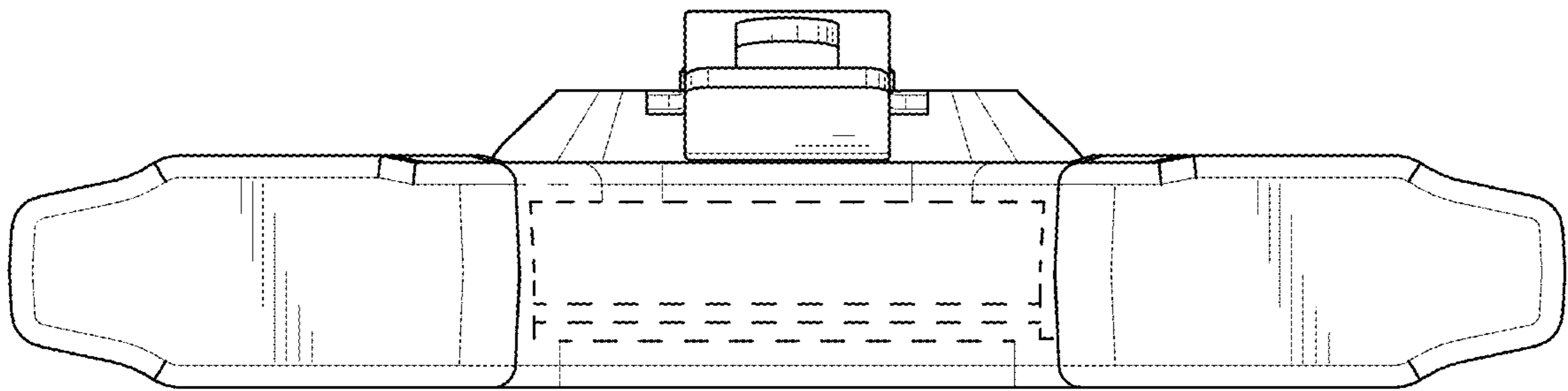


FIG. 8