



US00D884322S

(12) **United States Design Patent** (10) **Patent No.:** **US D884,322 S**
Sokol (45) **Date of Patent:** **** May 19, 2020**

- (54) **SHOE**
- (71) Applicant: **NIKE, Inc.**, Beaverton, OR (US)
- (72) Inventor: **Matthew Sokol**, Portland, OR (US)
- (73) Assignee: **NIKE, Inc.**, Beaverton, OR (US)
- (**) Term: **15 Years**
- (21) Appl. No.: **29/680,473**
- (22) Filed: **Feb. 15, 2019**
- (51) **LOC (12) Cl.** **02-04**
- (52) **U.S. Cl.**
USPC **D2/947**; D2/957; D2/959
- (58) **Field of Classification Search**
USPC D2/902, 906, 908, 916, 918, 925,
D2/946-962, 977; 36/1, 1.5, 3 B, 22 R,
36/24.5, 25 R, 28, 32 R, 34 R, 59 C,
36/67 A, 101-107, 114-116, 117.3, 117.4,
36/124-136
CPC A43B 13/00; A43B 13/02; A43B 13/023;
A43B 13/026; A43B 13/04; A43B 13/08;
A43B 13/10; A43B 13/12; A43B 13/14;
A43B 13/141; A43B 13/143; A43B
13/16; A43B 13/18; A43B 13/181; A43B
13/187; A43B 13/189; A43B 13/20; A43B
13/22; A43B 13/223; A43B 13/24; A43B
13/28; A43B 13/30; A43B 13/32; A43B
13/34; A43B 13/36
See application file for complete search history.

(56) **References Cited**
U.S. PATENT DOCUMENTS

D661,887 S	*	6/2012	Petrie	D2/972
D692,647 S	*	11/2013	Rasmussen	D2/972
D693,104 S	*	11/2013	McMillan	D2/972
D718,032 S	*	11/2014	VanHook	D2/972
D722,425 S		2/2015	Cin	

D765,360 S	*	9/2016	Petrie	D2/947
D765,363 S	*	9/2016	Petrie	D2/947
D773,159 S	*	12/2016	Seamarks	D2/947
D780,429 S	*	3/2017	Petrie	D2/972
D799,180 S		10/2017	Sokol	
D799,807 S		10/2017	Sokol	
D805,750 S	*	12/2017	Winfield	D2/972
D813,506 S	*	3/2018	O'Connor	D2/947
D814,773 S	*	4/2018	Durflinger	D2/972
D817,610 S	*	5/2018	Shyllon	D2/947
D821,728 S	*	7/2018	Sokol	D2/972
D827,277 S	*	9/2018	Williams, Jr.	D2/972
D828,984 S	*	9/2018	Gibson	D2/947
D830,679 S	*	10/2018	Durand	D2/972

(Continued)

OTHER PUBLICATIONS

Nike Air Huarache Run DNA Ch. 1, Nike.com, [online], [site visited Mar. 12, 2020]. <URL: <https://www.nike.com/t/air-huarache-run-dna-ch-1-mens-shoe-kFQcSK/AR3864-100>> (Year: 2020).*

(Continued)

Primary Examiner — T Chase Nelson
Assistant Examiner — Jonathan J. Han
(74) *Attorney, Agent, or Firm* — Banner & Witcoff, Ltd.

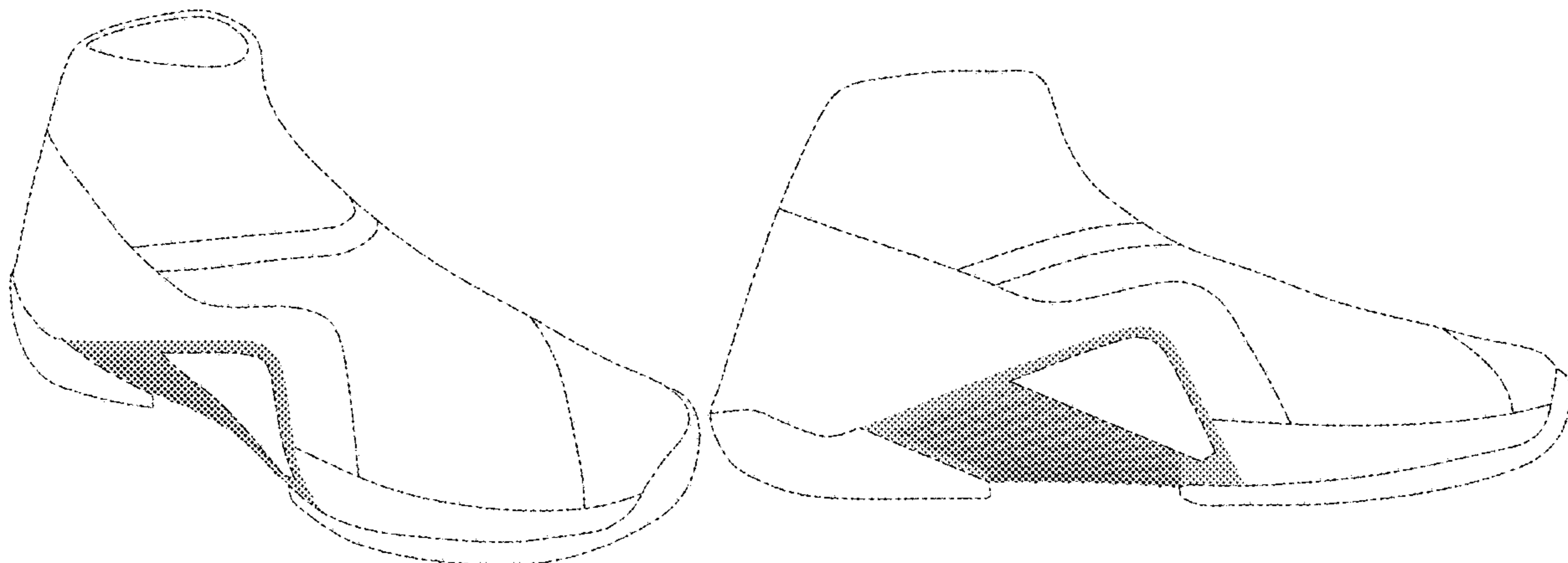
(57) **CLAIM**

The ornamental design for a shoe, as shown and described.

DESCRIPTION

FIG. 1 is a front perspective view of a shoe showing my new design;
FIG. 2 is a side view thereof; and,
FIG. 3 is a rear perspective view thereof.
The broken lines immediately adjacent to the photographic area define the bounds of the claimed design and form no part thereof. The broken lines depicting the remainder of the shoe show features that form no part of the claimed design.

1 Claim, 3 Drawing Sheets



(56)

References Cited

U.S. PATENT DOCUMENTS

D850,779	S	*	6/2019	Sokol	D2/973
D851,380	S	*	6/2019	de Montgolfier	D2/972
D851,892	S	*	6/2019	Hong	D2/972
D853,093	S	*	7/2019	Young	D2/947
D853,099	S	*	7/2019	Parrett	D2/958
D860,620	S	*	9/2019	Reyes	D2/972
D866,157	S	*	11/2019	Behr	D2/972
D867,740	S	*	11/2019	Kuerbis	D2/972
D867,744	S	*	11/2019	Chang	D2/973
D868,437	S	*	12/2019	Sokol	D2/947
D868,439	S	*	12/2019	Sokol	D2/947
D871,046	S	*	12/2019	Kuerbis	D2/972
D875,369	S	*	2/2020	Holmes	D2/972
D876,074	S	*	2/2020	Seamarks	D2/972
D876,077	S	*	2/2020	Cruz	D2/972
2015/0342300	A1	*	12/2015	Cin	A43B 5/025 36/103

OTHER PUBLICATIONS

Nike React Metcon, Nike.com, [online], [site visited Mar. 12, 2020].
 <URL: <https://www.nike.com/t/react-metcon-mens-training-shoe-1G703V/BQ6044-010>> (Year: 2020).*

Nike Free X Metcon 2, Nike.com, [online], [site visited Mar. 12, 2020]. <URL: <https://www.nike.com/t/free-x-metcon-2-mens-training-shoe-9s2JzN/AQ8306-061>> (Year: 2020).*

“Release Date: Nike Metcon 2 Amp”; Kicks on Fire; retrieved Feb. 8, 2019; published Jul. 13, 2016; URL: <<https://www.kicksonfire.com/nike-metcon-2-amp-volt-blue-glow-release-date/>>.

“Nike Introduces Metcon 3, Now With Flyknit, For All Your Training Needs”; Sneaker News; retrieved Feb. 8, 2019; published Dec. 13, 2016; URL: <<https://sneakernews.com/2016/12/13/nike-metcon-3-flyknit-unveiled/>>.

“Take A Look At The All-New Nike Metcon Repper DSX”; Kicks on Fire; retrieved Feb. 8, 2019; published Feb. 26, 2017; URL: <<https://www.kicksonfire.com/take-a-look-at-the-all-new-nike-metcon-repper-dsx/>>.

“Nike Officially Introduces The Nike Metcon 4 + Release Date”; Kicks on Fire; retrieved Feb. 8, 2019; published Dec. 11, 2017; URL: <<https://www.kicksonfire.com/nike-metcon-4-officially-introduced/>>.

“Nike Metcon 1”; Kicks on Fire; retrieved Feb. 8, 2019; Disclosure date unknown but prior to the filing date of the present application; URL: <<https://www.kicksonfire.com/app/nike-metcon-1>>.

“Nike Metcon Flyknit 3—Men’s”; Rogue Fitness ; retrieved May 20, 2019; disclosure date unknown but prior to the filing date of the present application; URL: <<https://www.roguefitness.com/nike-metcon-flyknit-3-men-s-sequoia-bright-citron>>.

* cited by examiner

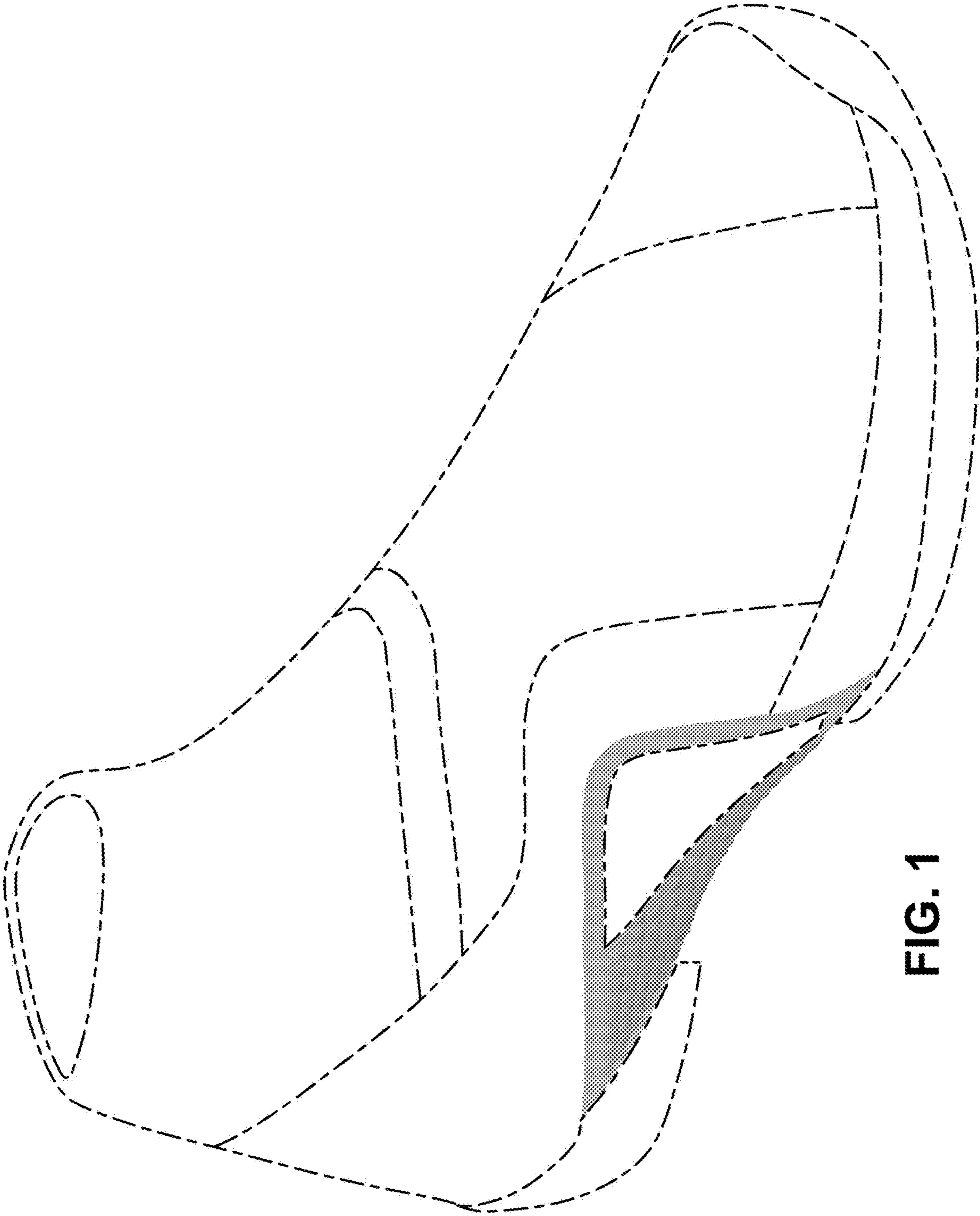


FIG. 1

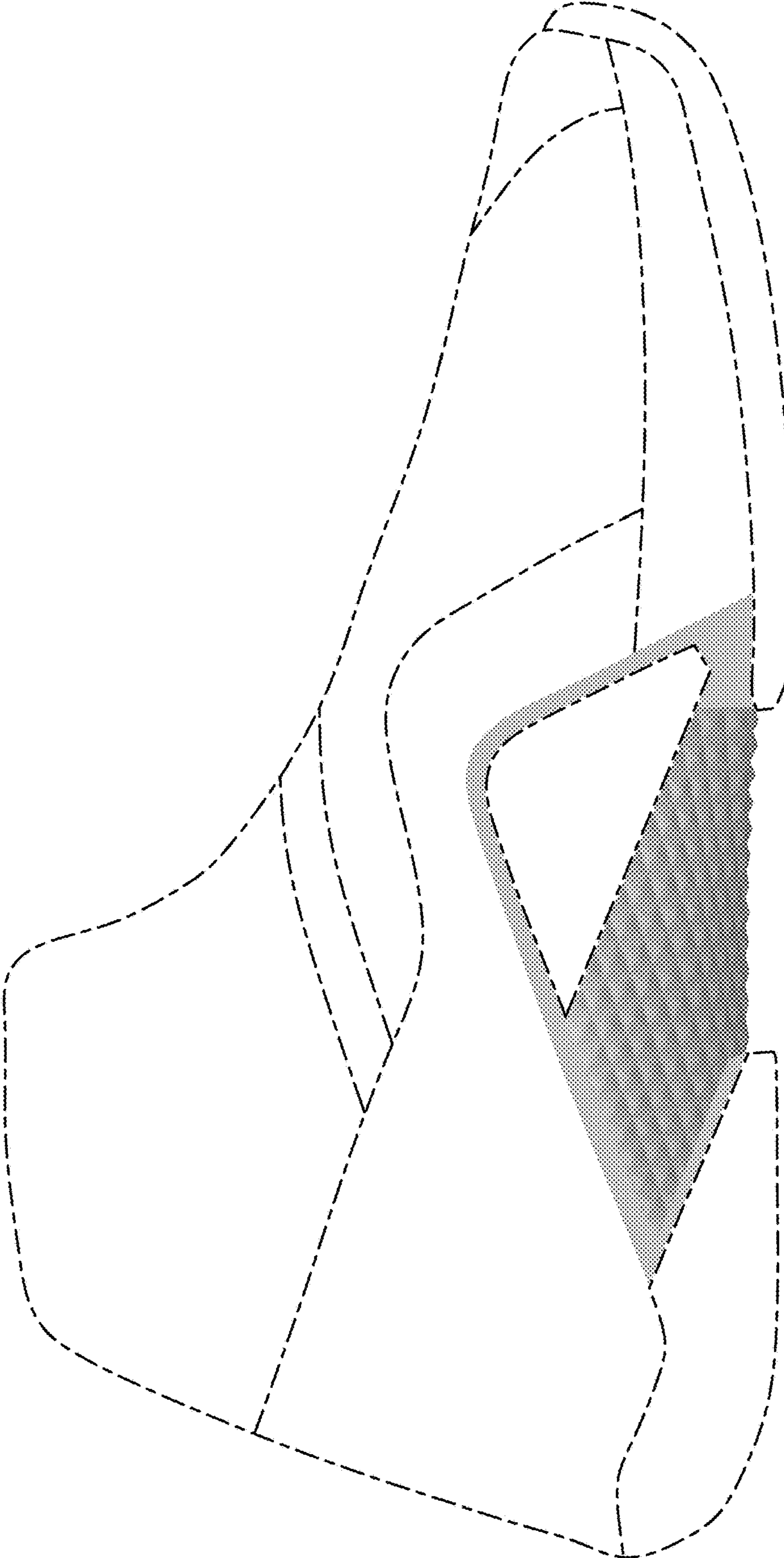


FIG. 2

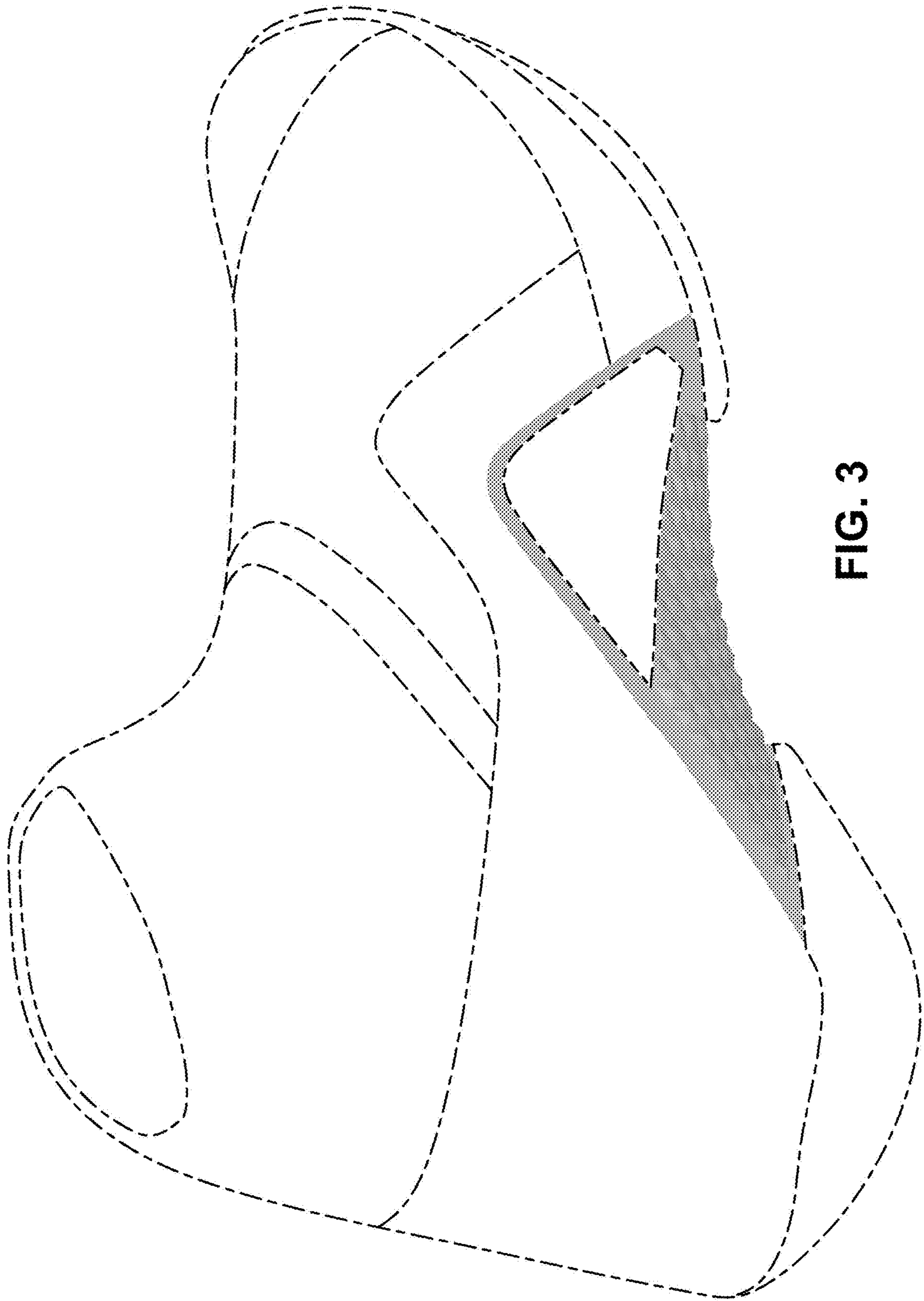


FIG. 3