



US00D884308S

(12) **United States Design Patent** (10) **Patent No.:** **US D884,308 S**  
**Brown** (45) **Date of Patent:** **\*\* May 19, 2020**

- (54) **FOOD PRODUCT**
- (71) Applicant: **Mars, Incorporated**, McLean, VA (US)
- (72) Inventor: **Kay Brown**, Batley (GB)
- (73) Assignee: **MARS, Incorporated**, McLean, VA (US)
- (\*\*) Term: **15 Years**
- (21) Appl. No.: **29/655,936**
- (22) Filed: **Jul. 9, 2018**

- D197,595 S 3/1964 Savitt
- D203,807 S 2/1966 Pellegrino
- D207,167 S 3/1967 Fisher
- 3,386,590 A 6/1968 Charles et al.
- 3,557,901 A 1/1971 Young
- 3,917,194 A 11/1975 Muller
- D249,723 S 9/1978 Cosman

(Continued)

**FOREIGN PATENT DOCUMENTS**

- DE 9509757 8/1996
- EP 000206214-0001 7/2004

(Continued)

**OTHER PUBLICATIONS**

Petsmart, accessed Aug. 27, 2017, 1999-2008, Web Page, 2 pgs.

(Continued)

*Primary Examiner* — Katie Jane Stofko  
(74) *Attorney, Agent, or Firm* — Mars, Incorporated;  
Nicolo Davidson

**Related U.S. Application Data**

- (62) Division of application No. 29/587,631, filed on Dec. 14, 2016, now Pat. No. Des. 822,315.
- (51) **LOC (12) Cl.** ..... **01-01**
- (52) **U.S. Cl.**  
USPC ..... **D1/122**
- (58) **Field of Classification Search**  
USPC ..... D1/100–130, 199; 426/104, 108, 138, 426/391, 549, 808, 94, 143, 559, 560; D11/40, 43, 79; D24/101–104; 446/118, 446/128; D21/484, 499, 503, 622, 756; D14/212, 218; D23/393, 422; D30/160; D25/119, 122; D8/354, 382; D26/138; D15/138; 52/254, 843  
CPC ..... A21D 13/0029; A21D 13/0074; A21D 13/0022; A21D 13/0006; A23L 1/1641; A23L 1/005  
See application file for complete search history.

(57) **CLAIM**

The ornamental design for a food product, as shown and described.

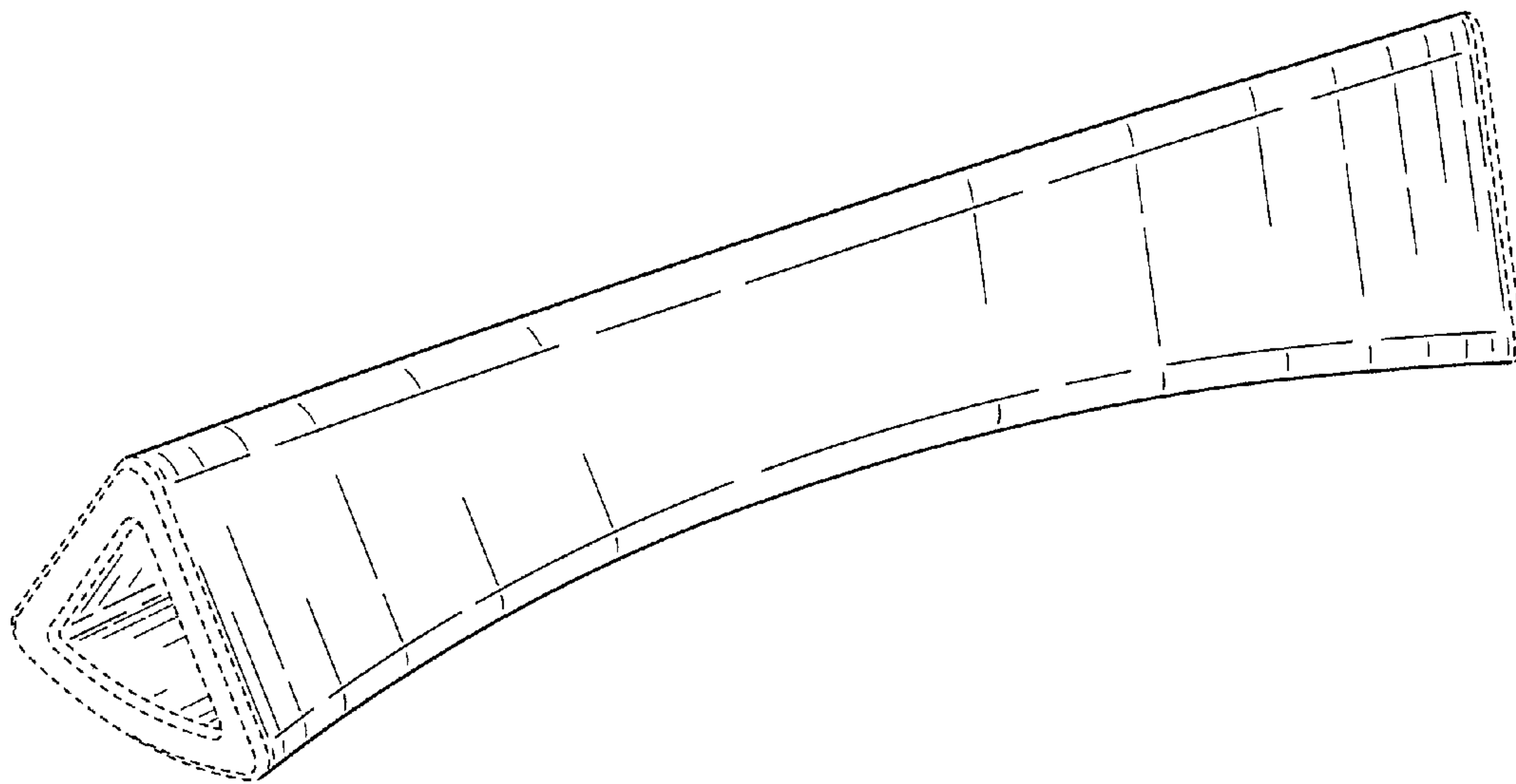
**DESCRIPTION**

FIG. 1 is a front, right perspective view of a food product showing our new design;  
FIG. 2 is a front elevation view thereof;  
FIG. 3 is a rear elevation view thereof;  
FIG. 4 is a right side elevation view thereof;  
FIG. 5 is a left side elevation view thereof;  
FIG. 6 is a top plan view thereof; and,  
FIG. 7 is a bottom plan view thereof.  
The broken lines shown in FIGS. 1-7 illustrates portions of the food product that form no part of the claimed design.

(56) **References Cited**  
**U.S. PATENT DOCUMENTS**

- D10,882 S 10/1878 Mills
- D57,890 S 5/1921 Collier
- 1,996,997 A 4/1935 Inman et al.
- D96,909 S 9/1935 Fuld

**1 Claim, 2 Drawing Sheets**



(56)

References Cited

U.S. PATENT DOCUMENTS

D249,724 S 9/1978 Cosman  
 D250,213 S \* 11/1978 Takagi ..... D28/50  
 4,219,575 A 8/1980 McLaughlin et al.  
 4,458,936 A 7/1984 Mulholland et al.  
 4,513,014 A 4/1985 Edwards  
 4,660,323 A \* 4/1987 Kanies ..... E06B 7/23  
 15/257.01  
 4,849,266 A 7/1989 Irick et al.  
 4,944,699 A 7/1990 Velke et al.  
 4,991,352 A \* 2/1991 Hyer ..... E06B 7/2309  
 49/489.1  
 5,227,585 A \* 7/1993 Zen ..... G02B 6/4459  
 138/115  
 5,378,151 A \* 1/1995 Lukase ..... A61C 3/16  
 433/141  
 5,419,283 A 5/1995 Leo  
 5,712,030 A 1/1998 Goto et al.  
 D392,435 S 3/1998 Mocking et al.  
 D399,400 S \* 10/1998 Weber ..... D8/70  
 5,899,210 A \* 5/1999 Letherby ..... A45D 29/04  
 132/73  
 5,943,836 A 8/1999 Kassardjian  
 D418,881 S 1/2000 Cousins  
 D433,778 S 11/2000 Axelrod  
 6,178,798 B1 \* 1/2001 Kowalski ..... B60J 5/0444  
 72/200  
 6,238,715 B1 5/2001 Baikie  
 D444,688 S \* 7/2001 Boehler ..... D8/61  
 6,277,420 B1 8/2001 Andersen et al.  
 D473,348 S 4/2003 Lang  
 D478,472 S \* 8/2003 Cozzolino ..... D7/402  
 D485,046 S 1/2004 Hague  
 D485,661 S 1/2004 Harris  
 6,827,041 B2 12/2004 Hague et al.  
 D500,579 S 1/2005 Tansey et al.  
 D501,700 S 2/2005 Turner  
 D501,841 S 2/2005 Hsu  
 D503,645 S \* 4/2005 Wirth ..... D10/114.9  
 D515,275 S 2/2006 Leiweke et al.  
 D516,276 S 3/2006 Unlu et al.  
 D525,762 S 8/2006 Evans et al.  
 D530,482 S 10/2006 Kauffman et al.  
 D532,583 S 11/2006 Townsend et al.  
 7,152,280 B1 12/2006 Taylor  
 D534,706 S 1/2007 Cuadrado  
 D535,770 S 1/2007 Yuen  
 D537,892 S 3/2007 Moses  
 D551,561 S 9/2007 Bieger et al.  
 D558,444 S 1/2008 Ma  
 D564,708 S 3/2008 Kuo  
 D576,721 S 9/2008 Nishio et al.  
 D578,927 S \* 10/2008 Brandstatter ..... D11/146  
 D586,454 S 2/2009 Nishio et al.  
 D586,534 S 2/2009 Oelsner et al.  
 D602,396 S 10/2009 Conway et al.  
 D603,241 S \* 11/2009 Pearce ..... D8/107  
 D609,878 S \* 2/2010 Tham ..... D1/128  
 D614,333 S \* 4/2010 Schnitzer ..... D26/37  
 D622,606 S \* 8/2010 Masotti ..... D9/561  
 D625,957 S \* 10/2010 Minns ..... D7/550.1  
 D630,409 S 1/2011 Dempsey et al.  
 D632,997 S \* 2/2011 Correia ..... D11/143  
 D633,820 S \* 3/2011 Correia ..... D11/143  
 D641,536 S 7/2011 Evans et al.  
 D641,537 S 7/2011 Evans et al.  
 D652,715 S 1/2012 Quinter et al.  
 D656,648 S \* 3/2012 Tompkin ..... D26/46  
 D658,847 S \* 5/2012 Wylie ..... D1/125  
 D667,976 S \* 9/2012 Wu ..... D26/49  
 D670,986 S \* 11/2012 Somers, III ..... D8/107

D672,334 S 12/2012 Tzeng  
 D674,126 S \* 1/2013 Mase ..... D26/49  
 D677,047 S 3/2013 Watson  
 D686,192 S 7/2013 Widner et al.  
 D687,583 S 8/2013 Von  
 D692,206 S 10/2013 Slusarczyk et al.  
 D693,042 S \* 11/2013 Wu ..... D26/49  
 D700,671 S \* 3/2014 Miller ..... D21/756  
 D708,417 S 7/2014 Allen  
 D711,068 S \* 8/2014 Jacko ..... D1/199  
 D721,218 S 1/2015 Rogers et al.  
 D726,477 S 4/2015 Buck  
 D726,685 S \* 4/2015 Cheng ..... D14/212  
 D730,617 S 6/2015 Slusarczyk et al.  
 9,044,039 B2 \* 6/2015 Xu ..... A23K 40/20  
 D746,541 S 1/2016 Sambashivan  
 D748,891 S 2/2016 Rogers et al.  
 D760,451 S 6/2016 Harvey et al.  
 D760,992 S 7/2016 Martin et al.  
 D767,246 S \* 9/2016 Michel ..... D1/123  
 D771,054 S 11/2016 King  
 D774,914 S \* 12/2016 Kuzma ..... D9/543  
 D778,526 S 2/2017 Martin et al.  
 D780,183 S 2/2017 Ferguson et al.  
 D785,901 S 5/2017 Wilson et al.  
 D789,651 S 6/2017 Wilson et al.  
 D793,365 S 8/2017 Kato et al.  
 D802,880 S 11/2017 Mathew et al.  
 D812,322 S 3/2018 Hirschberg  
 D821,687 S \* 7/2018 Stevens ..... D1/122  
 D822,315 S \* 7/2018 Heath ..... D1/122  
 D831,927 S \* 10/2018 Monaghan ..... D1/125  
 D835,880 S \* 12/2018 Colquhoun ..... D1/124  
 D865,071 S \* 10/2019 Moelmann ..... D21/468  
 D867,152 S \* 11/2019 Bouheraoua, Jr. .... D9/559  
 2004/0154525 A1 \* 8/2004 Wirth ..... B64F 1/20  
 116/1  
 2005/0151407 A1 7/2005 Tai et al.

FOREIGN PATENT DOCUMENTS

JP 0001223959 10/2004  
 JP D1224610 10/2004  
 JP D1224774 10/2004  
 KR 300470351 11/2007  
 RO DM076390 2/2012  
 WO 8806851 A1 9/1988

OTHER PUBLICATIONS

Summer Jun. 2005 The Unbeatable Selection and Value Your Business Needs!, pp. 207.  
 “More than Slightly Obsessed Hi I’m Skinny Sticks Review”, Published: Aug. 17, 2013, Retrieved: Nov. 21, 2017, from: <http://cleaneatingveggiegirl.com/2013/08/17/more-than-slightly-obsessed-hi-im-skinny-sticks-review/>, 9 pgs.  
 “Pencil Grip 101”, The Anonymous OT, Apr. 19, 2013. Web. Dec. 29, 2017, <https://theanonymousot.com/2013/04/19/pencil-grip-101/>, 15 pgs.  
 “Those that Wait”, Meridian Financial Partners, Apr. 3, 2016, Web, Dec. 29, 2017, <https://meridianfinancialpartners.com/2016/08/03/those-that-wait/>, 5 pgs.  
 “Triangle Noodle Detergent Speckles, Sichuan Faith and Fortune Trading Co. Ltd.”, Mar. 3, 2014. Web. Dec. 29, 2017, [https://acdxt.en.ec21.com/Triangle\\_Noodle\\_Detergent\\_Speckles-8785251\\_8909349.html](https://acdxt.en.ec21.com/Triangle_Noodle_Detergent_Speckles-8785251_8909349.html), 6 pgs.  
 Vantschip, “Dog Bones”, “Dog Bones.” Doodle Kisses. Nov. 11, 2009. Web. Dec. 29, 2017. <<http://www.doodlekisses.com/forum/topics/dog-bones>>, 6 pgs.

\* cited by examiner



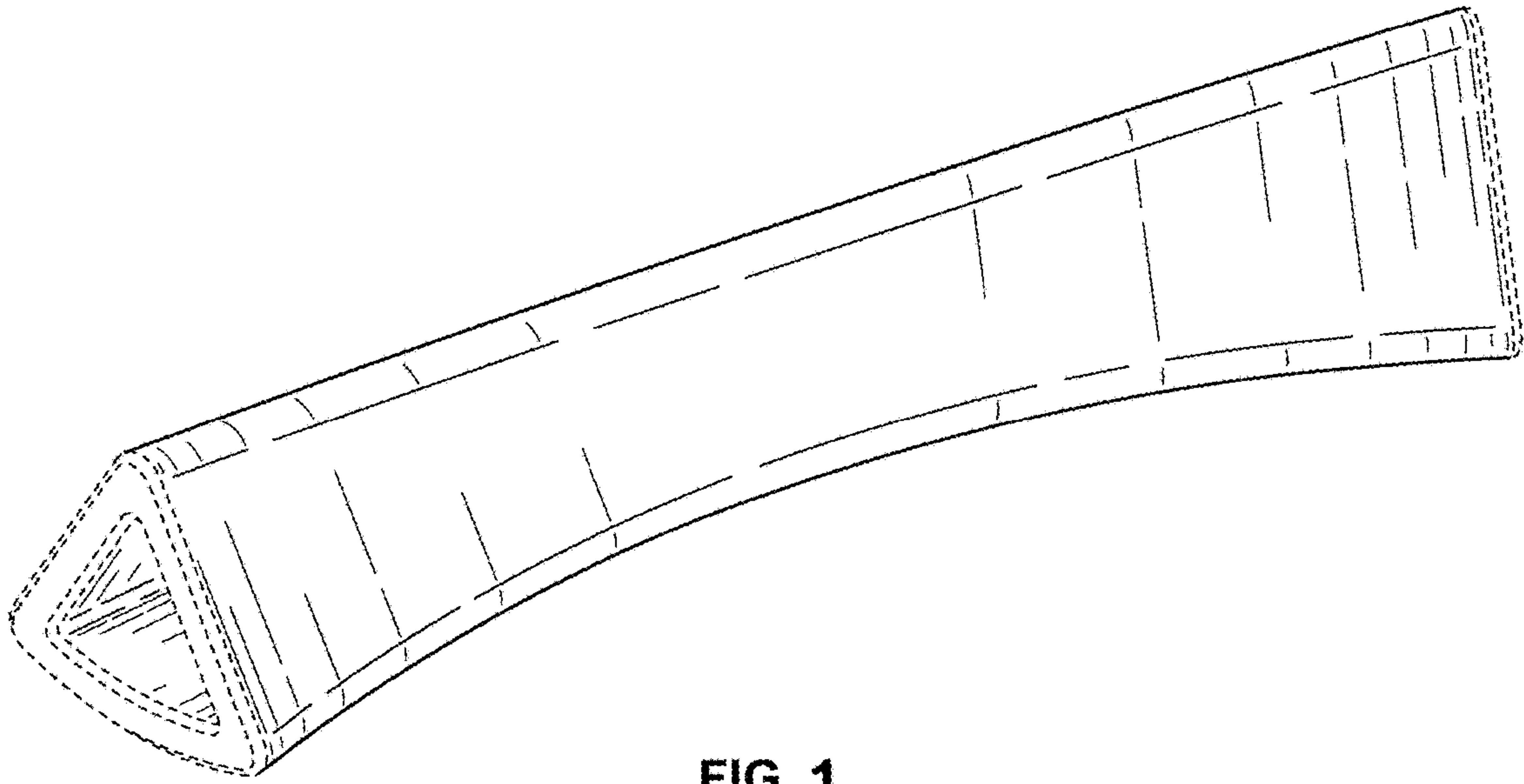


FIG. 1

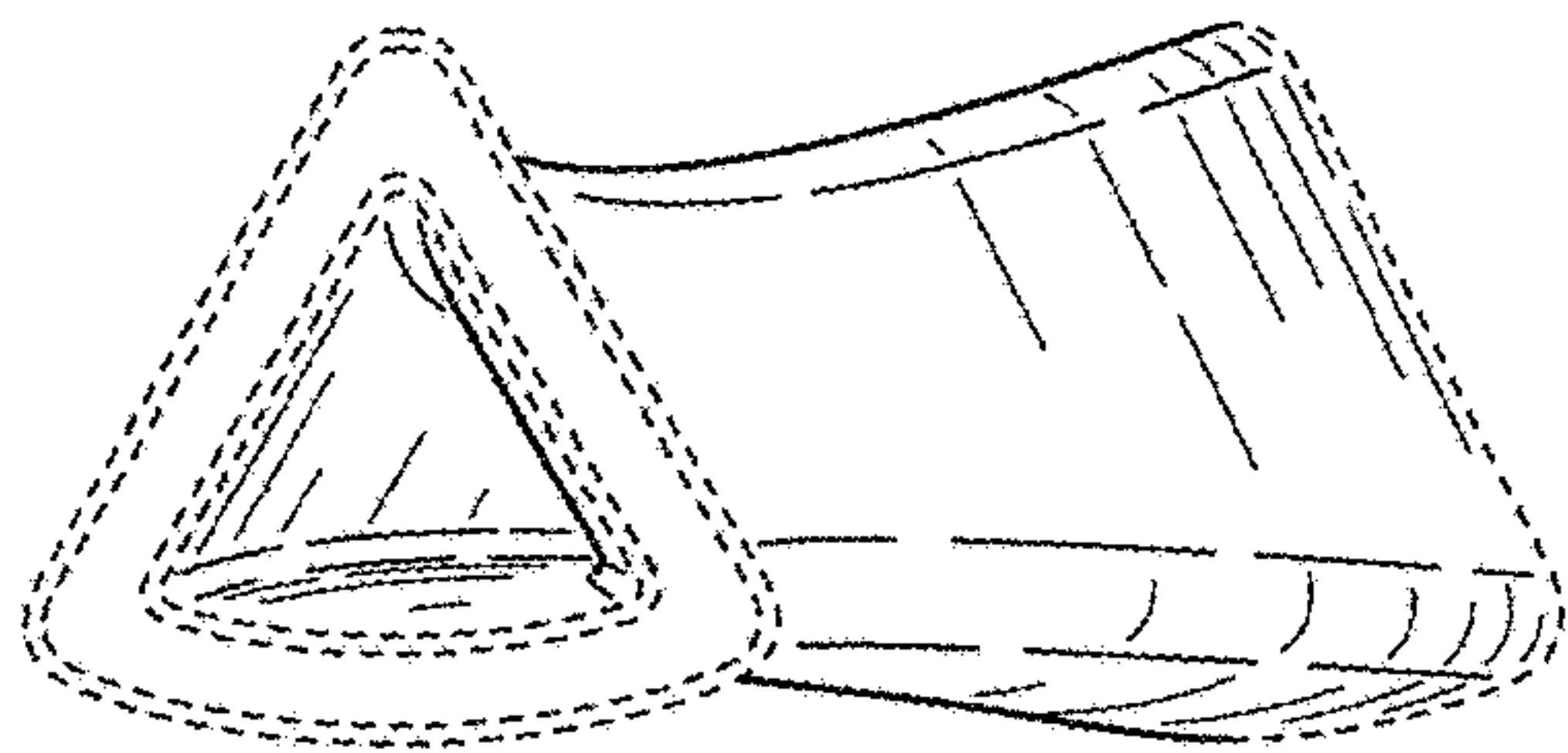


FIG. 2

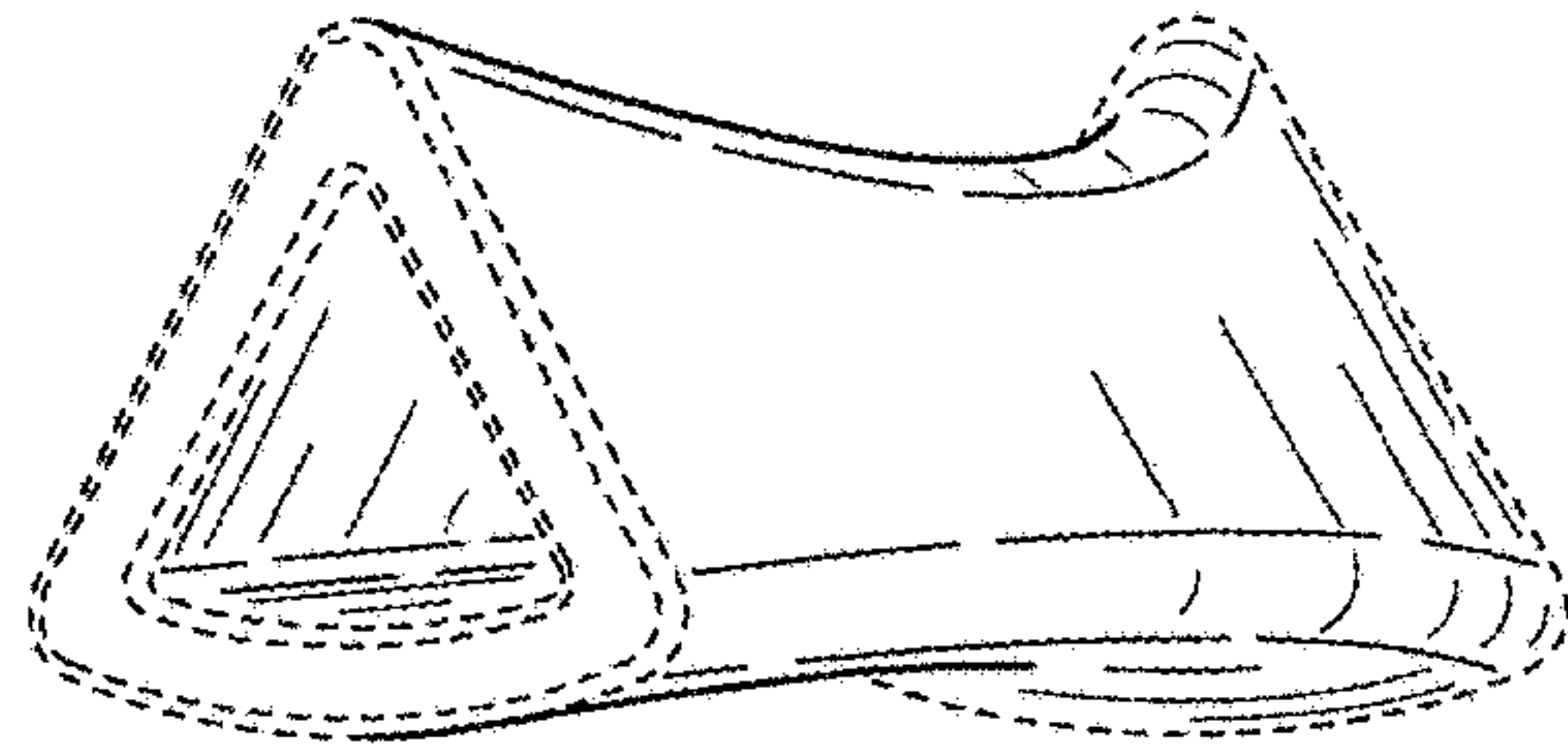


FIG. 3

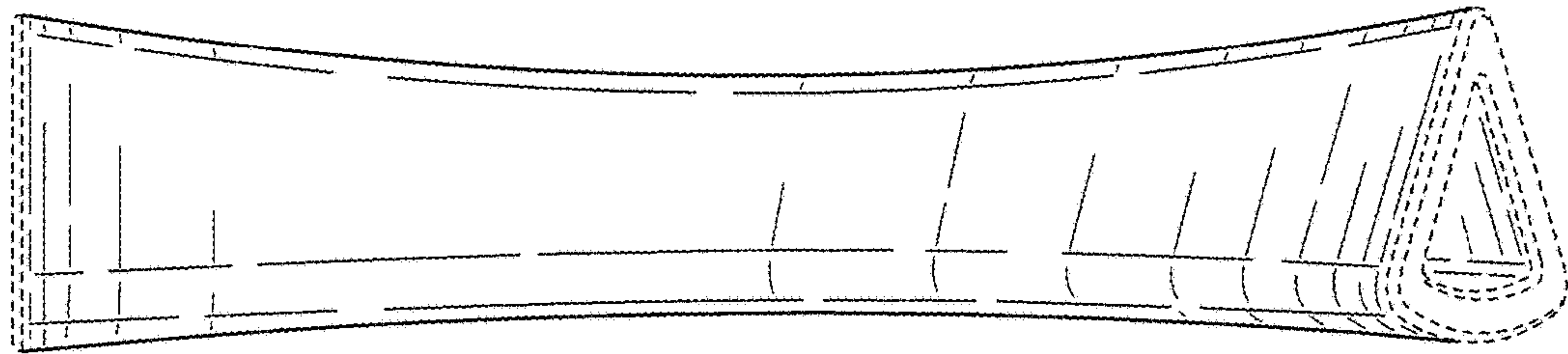


FIG. 4

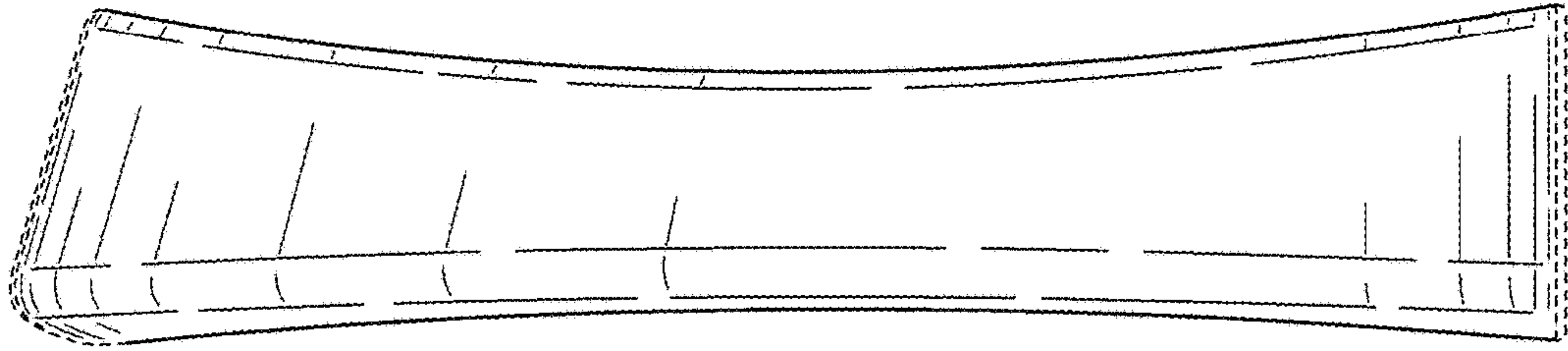


FIG. 5

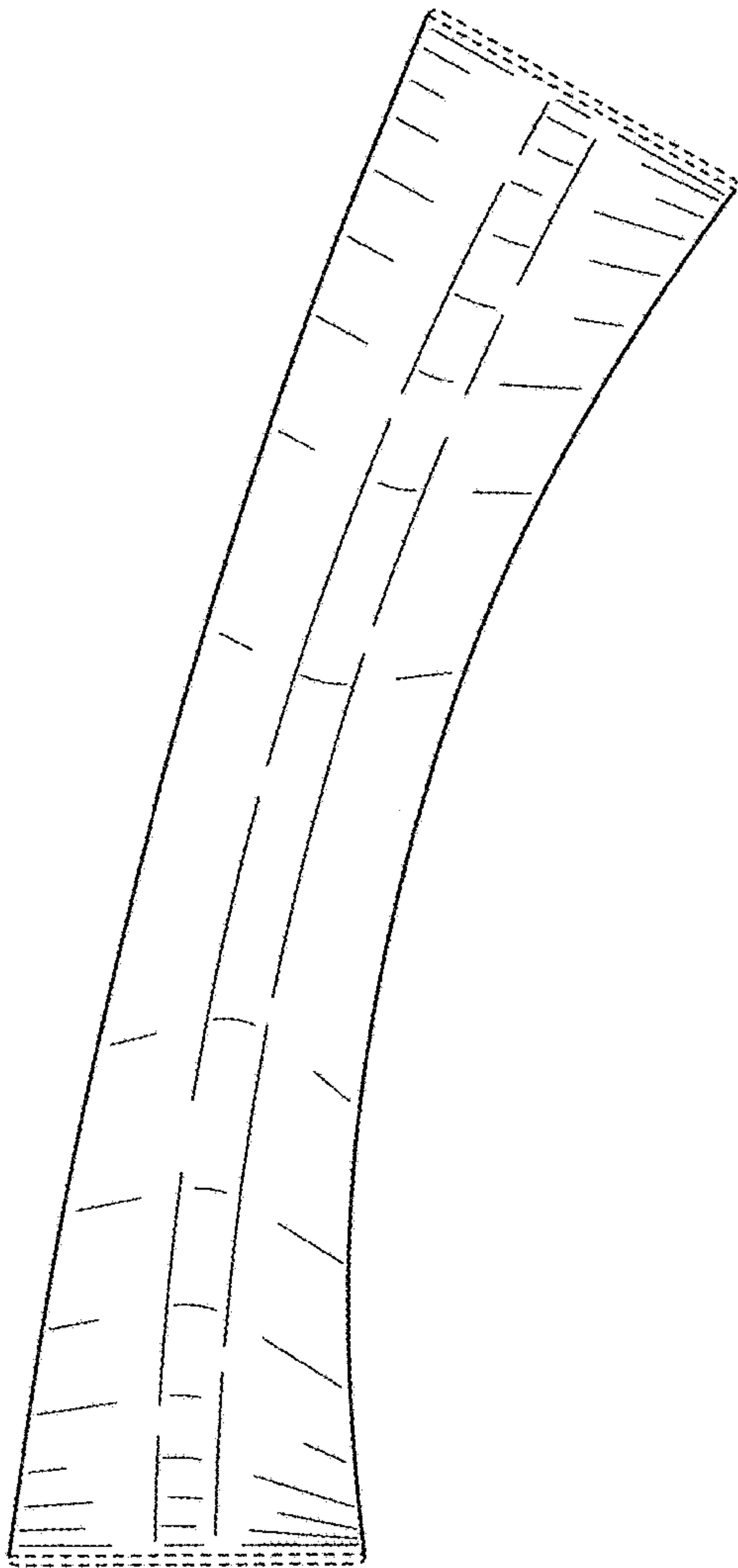


FIG. 6

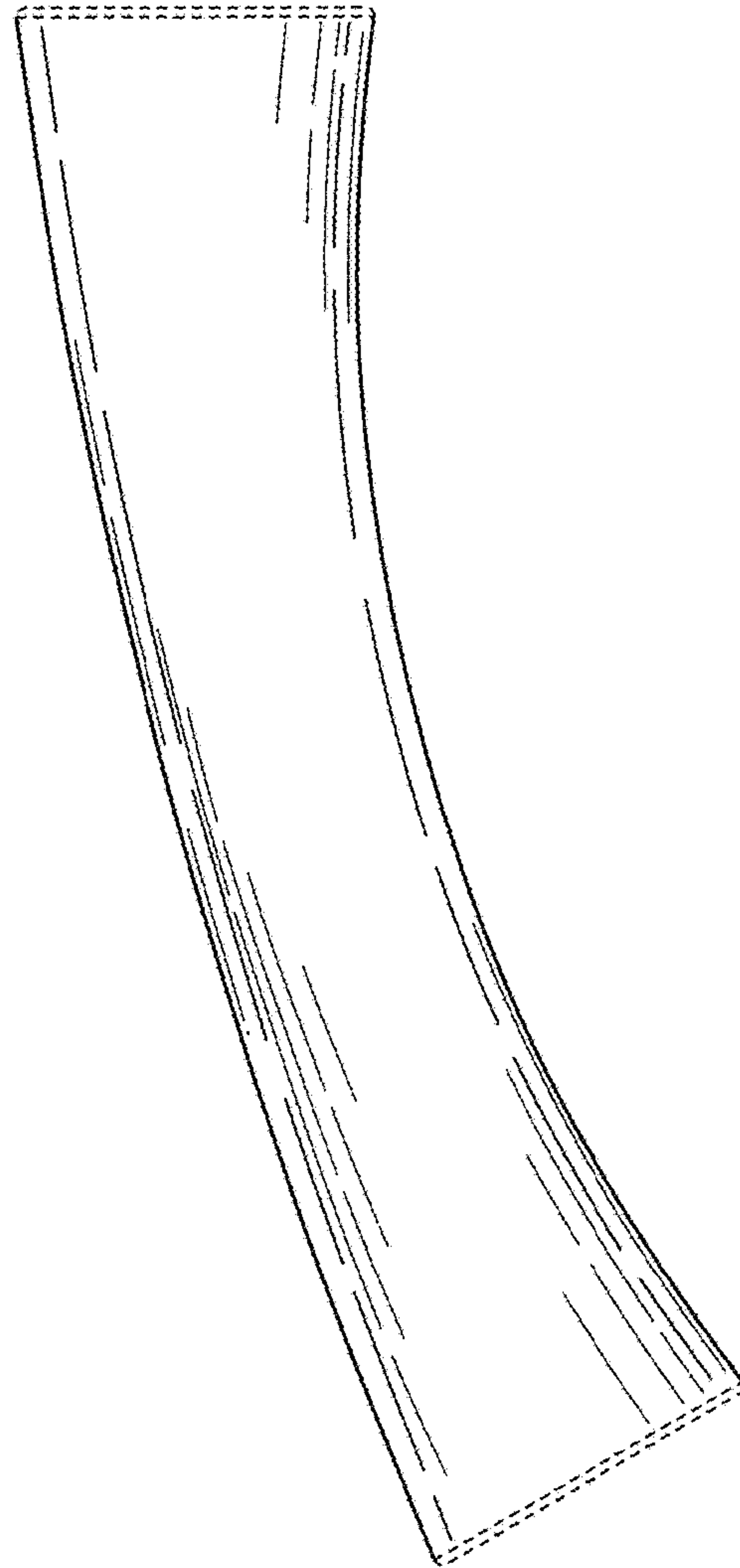


FIG. 7