



US00D884306S

(12) **United States Design Patent** (10) **Patent No.:** **US D884,306 S**
van Eyk et al. (45) **Date of Patent:** **** May 19, 2020**

(54) **HAMBURGER PET TREAT**
(71) Applicant: **Spectrum Brands, Inc.**, Middleton, WI (US)

(72) Inventors: **Gregory van Eyk**, Christiansburg, VA (US); **Tiffany Potter**, Pearisburg, VA (US); **Stephanie Hullverson**, Saint Louis, MO (US)

(73) Assignee: **Spectrum Brands, Inc.**, Middleton, WI (US)

(**) Term: **15 Years**

(21) Appl. No.: **29/679,702**

(22) Filed: **Feb. 8, 2019**

(51) **LOC (12) Cl.** **01-01**

(52) **U.S. Cl.**
USPC **D1/106**

(58) **Field of Classification Search**
USPC D1/100-130, 199; 426/104, 108, 138, 426/391, 549, 808, 94, 143, 559, 560; D6/597, 601, 303; D7/359, 354, 628, D7/675; D21/464, 594; 28/4; 119/710; D25/138; D9/456, 624, 629, 707; D11/44, 56, 81, 83, 103, 149, 157; 249/92; D3/208, 271.1; D99/5
CPC .. A21D 13/0025; A21D 13/0074; B26D 3/11; A47J 37/043; A47J 37/049; A47J 43/18; A22C 17/006; A22C 13/0013; A23L 1/164; A23L 1/005; A23B 4/10; B65D 81/343
See application file for complete search history.

(56) **References Cited**

U.S. PATENT DOCUMENTS

D242,297 S * 11/1976 Ortega D3/211
D252,323 S * 7/1979 Molenaar D11/81

D259,758 S * 7/1981 Marquardt D7/625
D273,436 S * 4/1984 Lipschutz D1/129
D279,297 S * 6/1985 Rosson D19/187

(Continued)

OTHER PUBLICATIONS

“Sonic Signature Slingers Cheeseburger.” Businesswire. Mar. 1, 2018. Web. Mar. 6, 2020. <<https://www.businesswire.com/news/home/20180301005284/en/New-SONIC-Signature-Slingers-Cheeseburger-Flavor-Guilt>>.*

Primary Examiner — Katie Jane Stofko

(74) *Attorney, Agent, or Firm* — Merchant & Gould P.C.

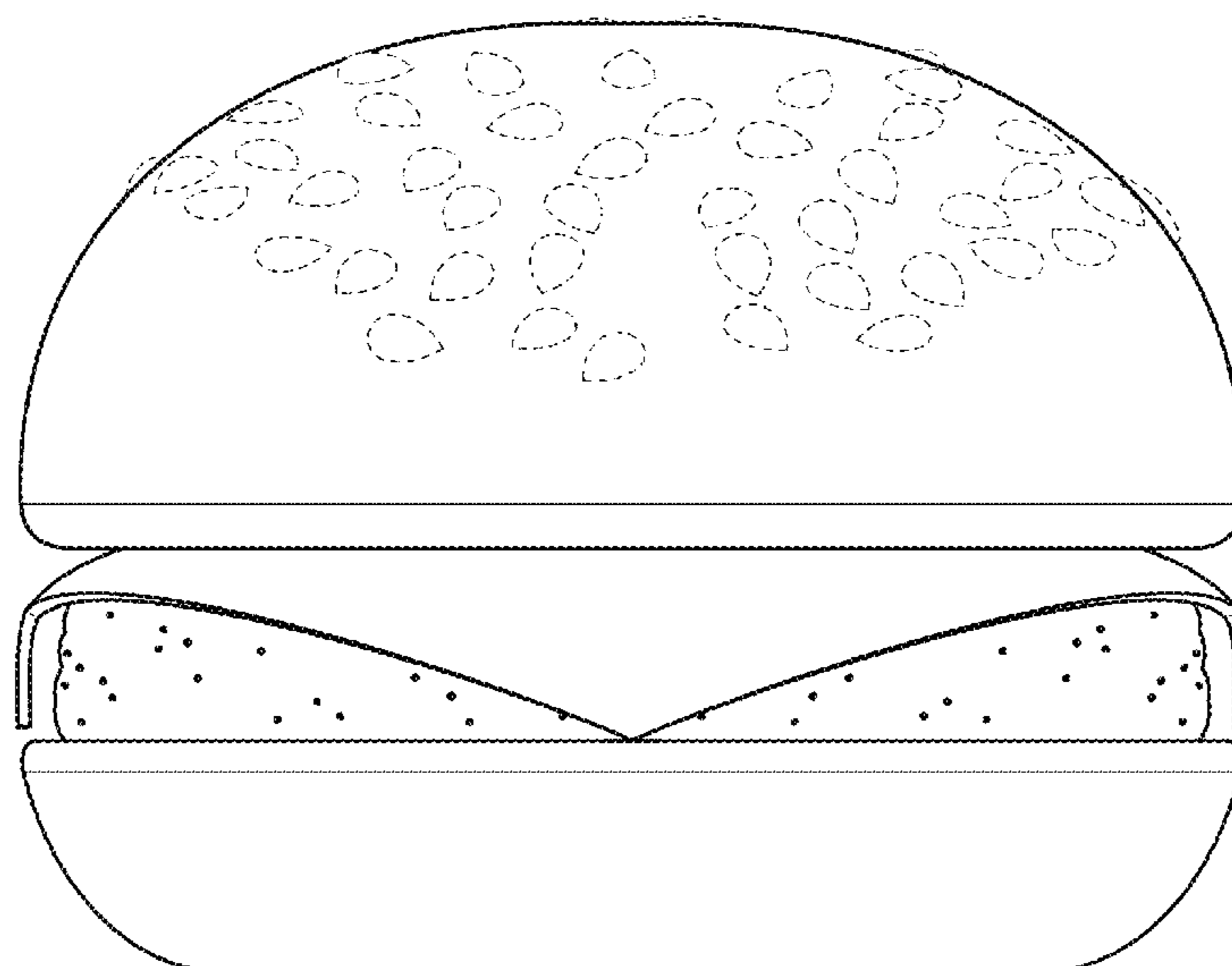
(57) **CLAIM**

The ornamental design for a hamburger pet treat, as shown and described.

DESCRIPTION

FIG. 1 is a top perspective view of a first embodiment of a Hamburger Pet Treat according to the new design;
FIG. 2 is a bottom perspective view of the embodiment of FIG. 1;
FIG. 3 is a front elevation view of the embodiment of FIG. 1, the back elevation view being a mirror image of the front elevation view;
FIG. 4 is a top plan view of the embodiment of FIG. 1;
FIG. 5 is a bottom plan view of the embodiment of FIG. 1;
FIG. 6 is a top perspective view of a second embodiment of a Hamburger Pet Treat according to the new design;
FIG. 7 is a bottom perspective view of the embodiment of FIG. 6;
FIG. 8 is a front elevation view of the embodiment of FIG. 6, the back elevation view being a mirror image of the front elevation view;
FIG. 9 is a top plan view of the embodiment of FIG. 6; and,
FIG. 10 is a bottom plan view of the embodiment of FIG. 6.
The broken lines shown in FIGS. 1-4 and 6-10 illustrate portions of the hamburger pet treat that form no part of the claimed design.

1 Claim, 10 Drawing Sheets



(56)

References Cited

U.S. PATENT DOCUMENTS

D292,581 S * 11/1987 Yoshiharu 379/434
D295,455 S * 5/1988 Han D1/101
D389,200 S * 1/1998 Madsen D21/464
D405,240 S * 2/1999 Weiss D2/897
D440,680 S * 4/2001 Hickmann D1/101
D578,086 S * 10/2008 Hoehn D14/126
D645,637 S 9/2011 Mingyun et al.
D672,526 S 12/2012 Lee
8,357,409 B2 1/2013 Caldwell
8,703,220 B2 4/2014 Caldwell
D712,623 S 9/2014 James et al.
D792,050 S 7/2017 Richhard
2004/0115312 A1 * 6/2004 Caldwell A23L 19/05
426/89
2009/0208633 A1 8/2009 Kyed et al.
2009/0258116 A1 * 10/2009 Peyton G09F 3/10
426/87
2010/0124589 A1 5/2010 Feldmeier et al.
2010/0124591 A1 5/2010 Feldmeier et al.
2013/0295234 A1 11/2013 Culp
2014/0161927 A1 6/2014 Chang
2018/0037393 A1 2/2018 Cichowski et al.

* cited by examiner

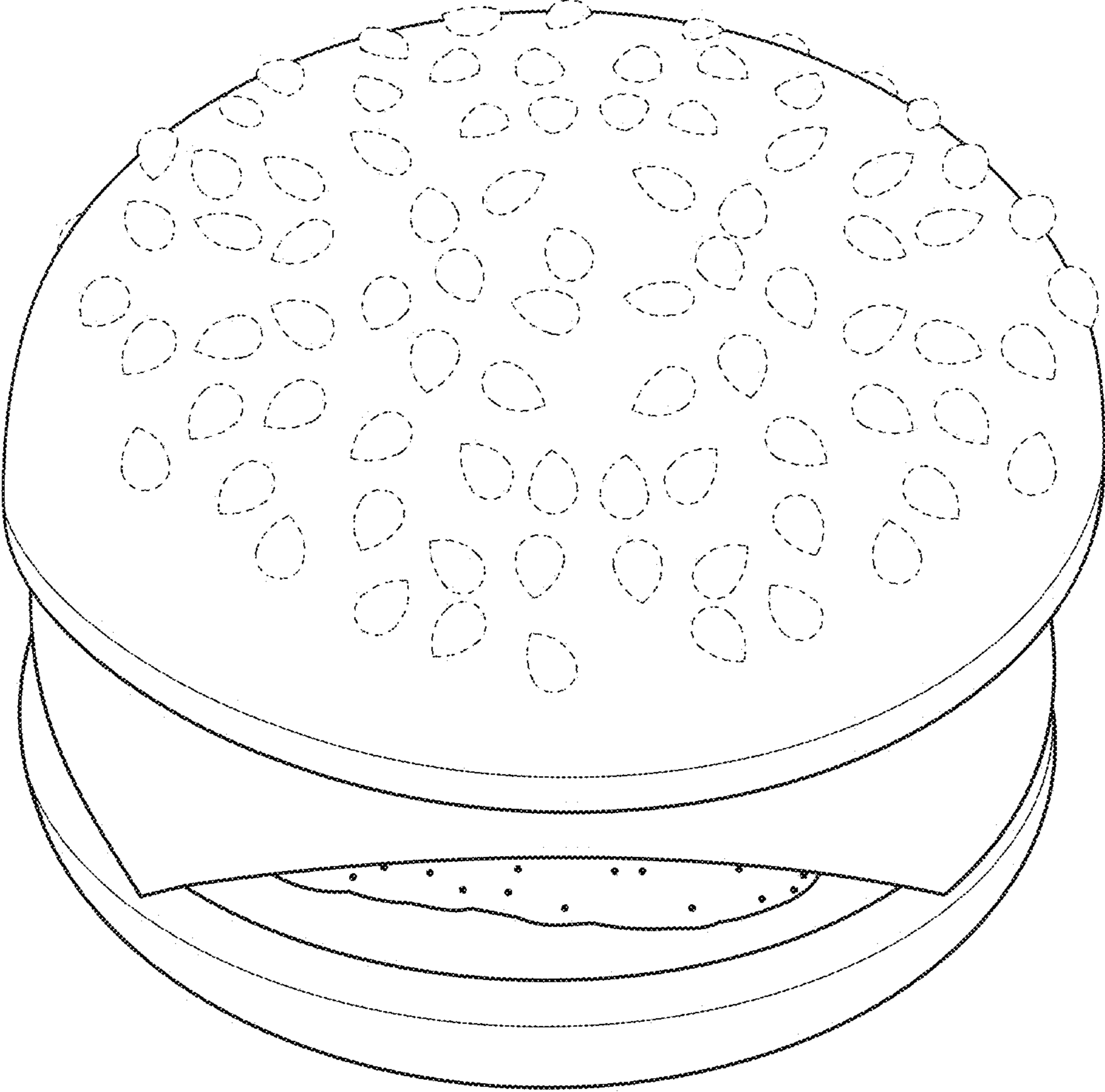


FIG. 1

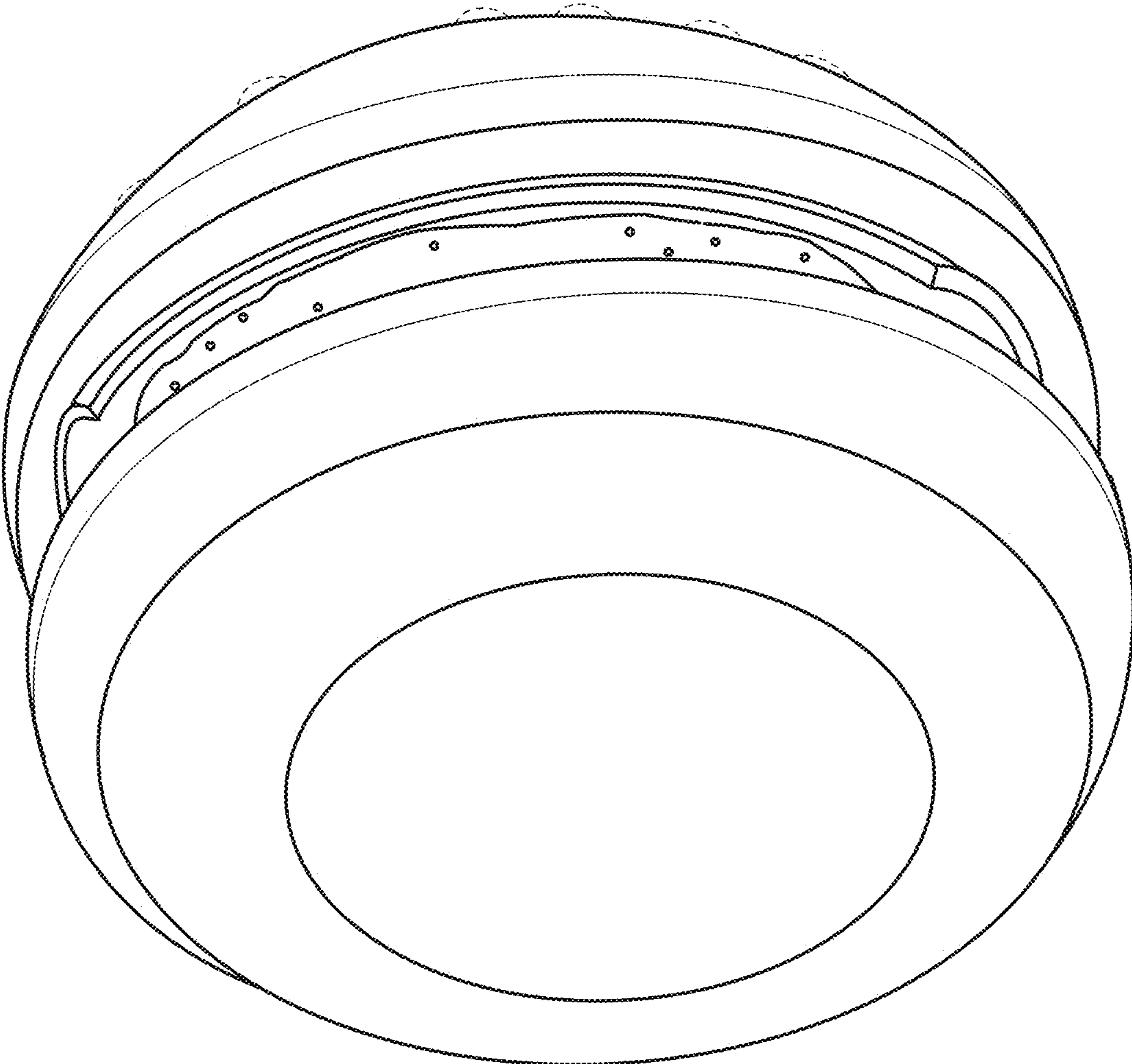


FIG. 2

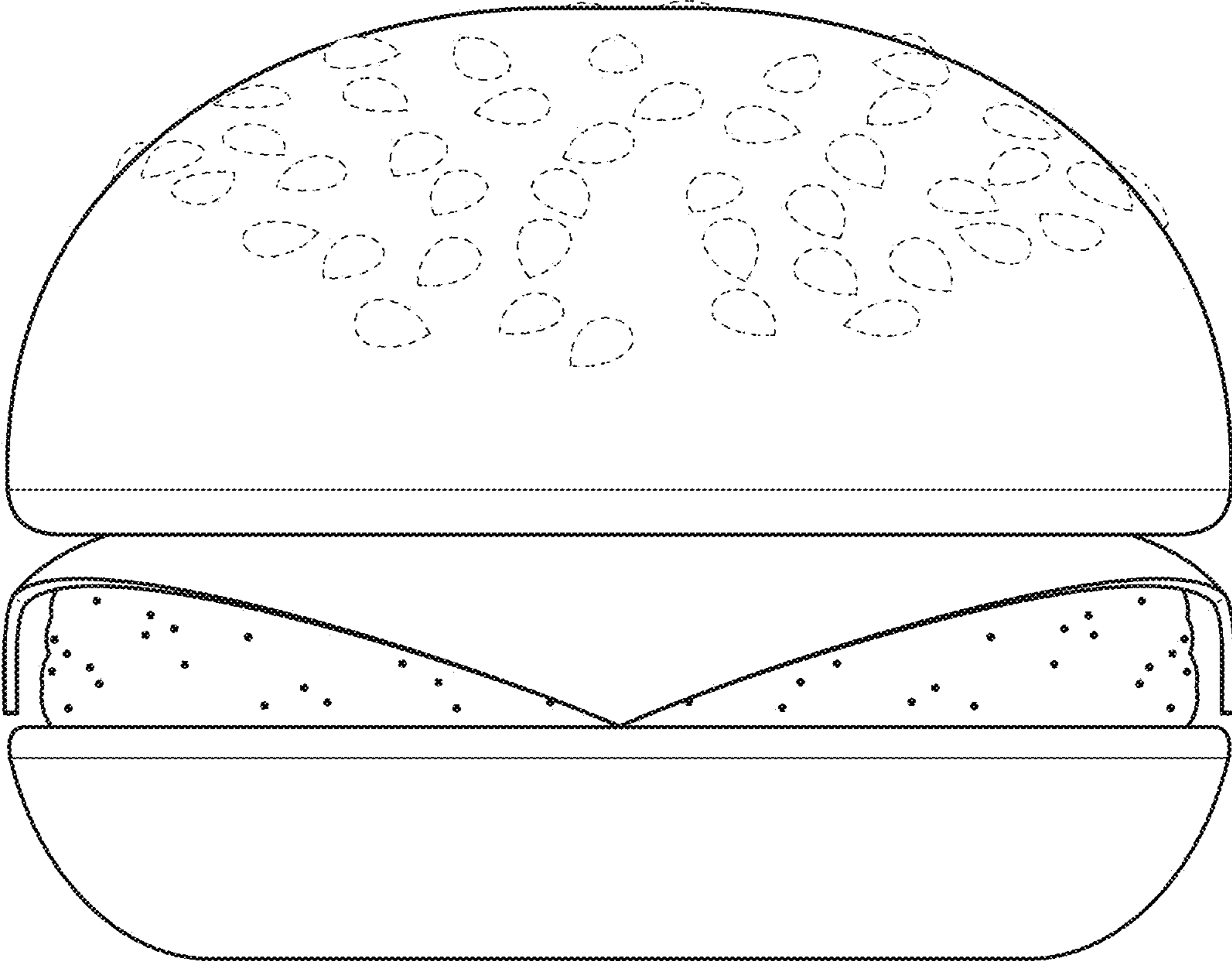


FIG. 3

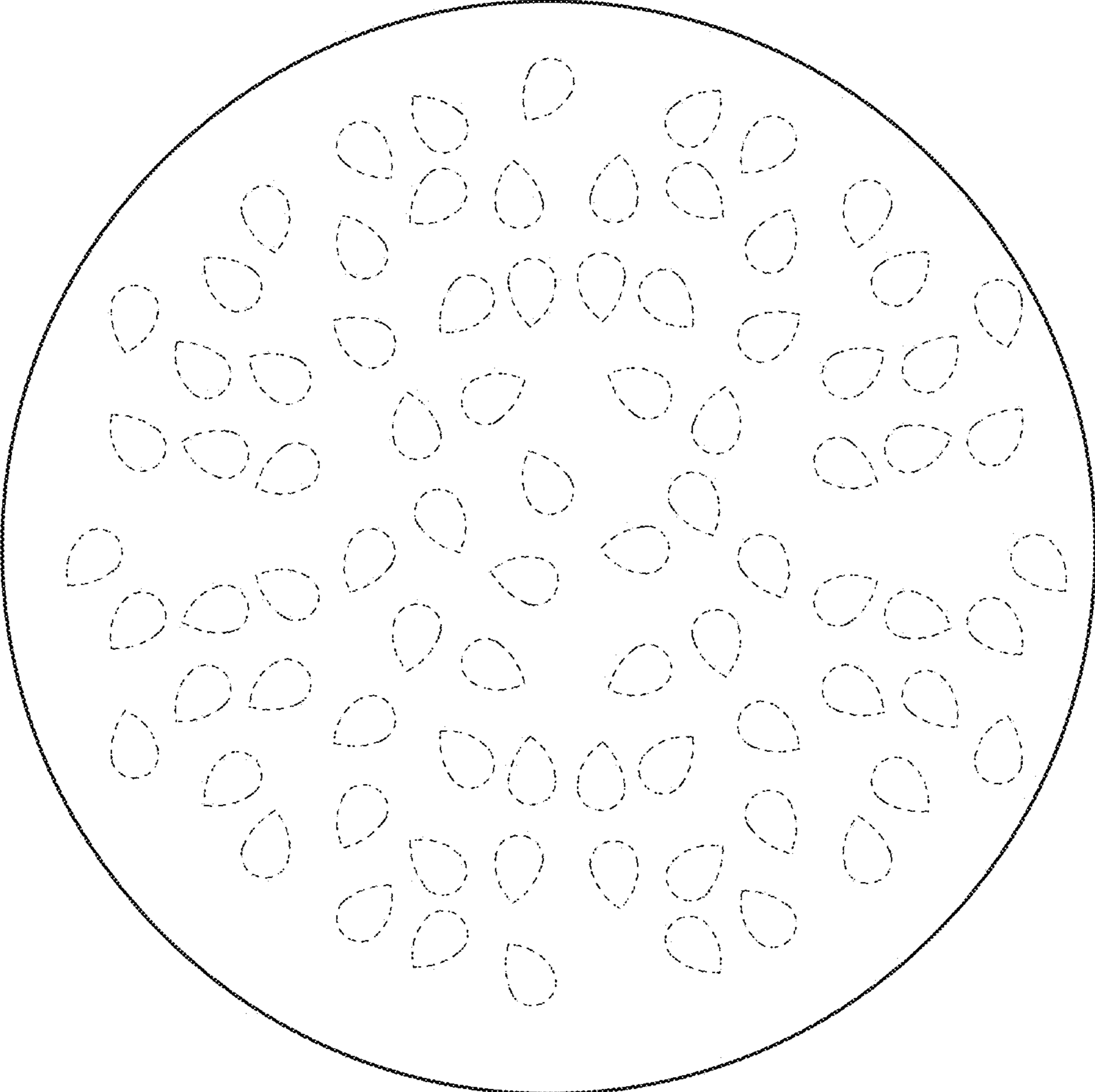


FIG. 4

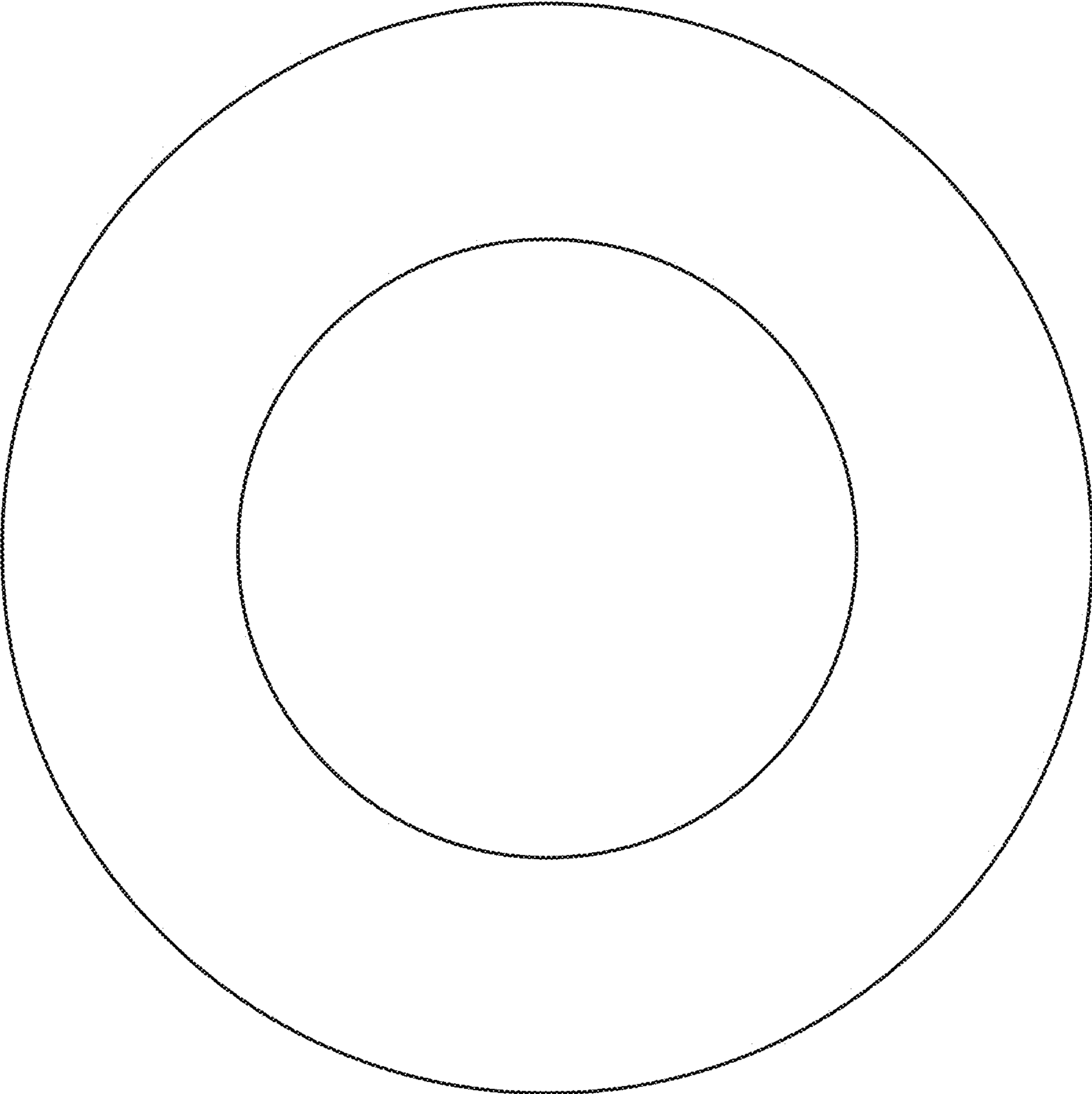


FIG. 5

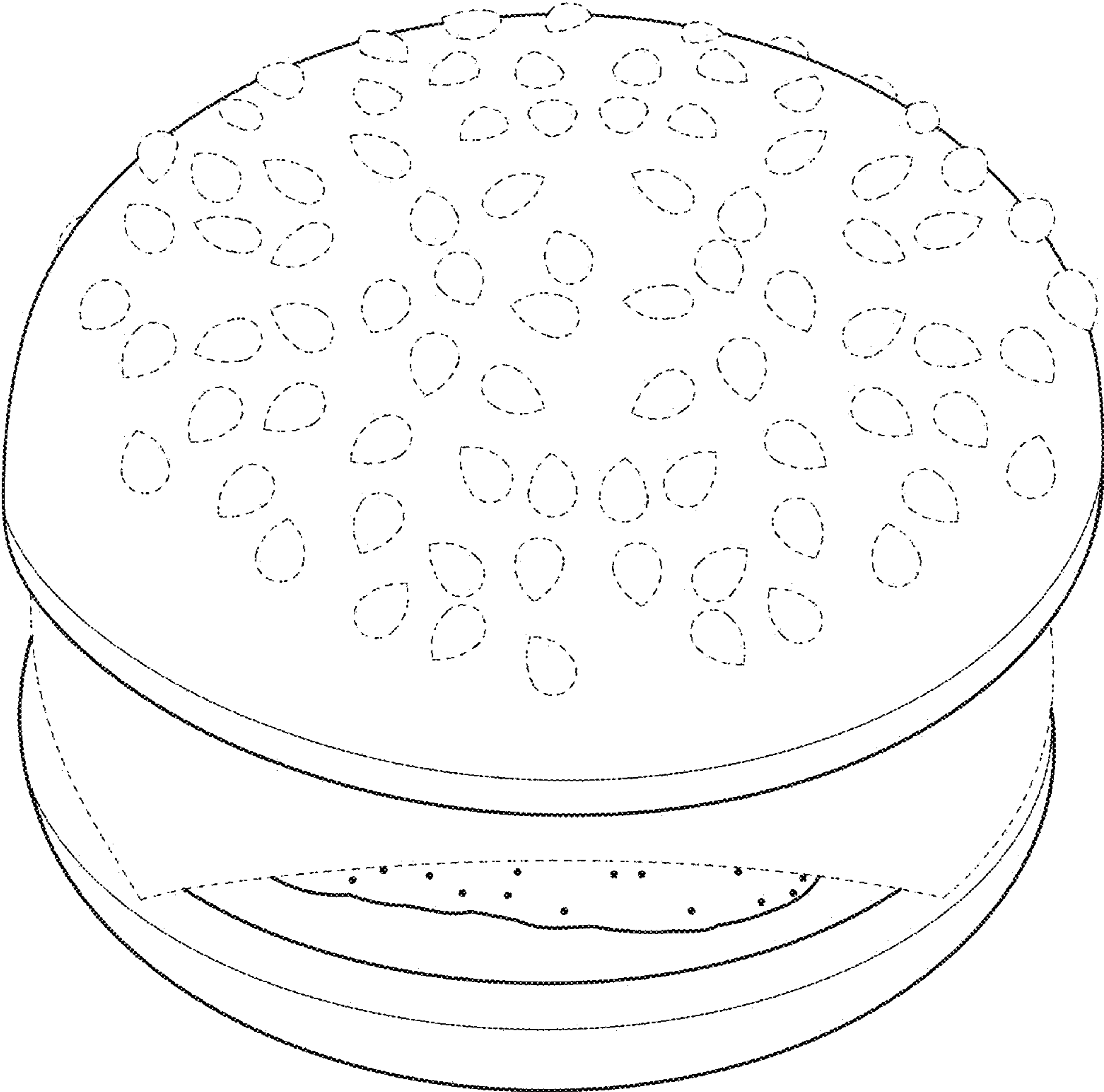


FIG. 6

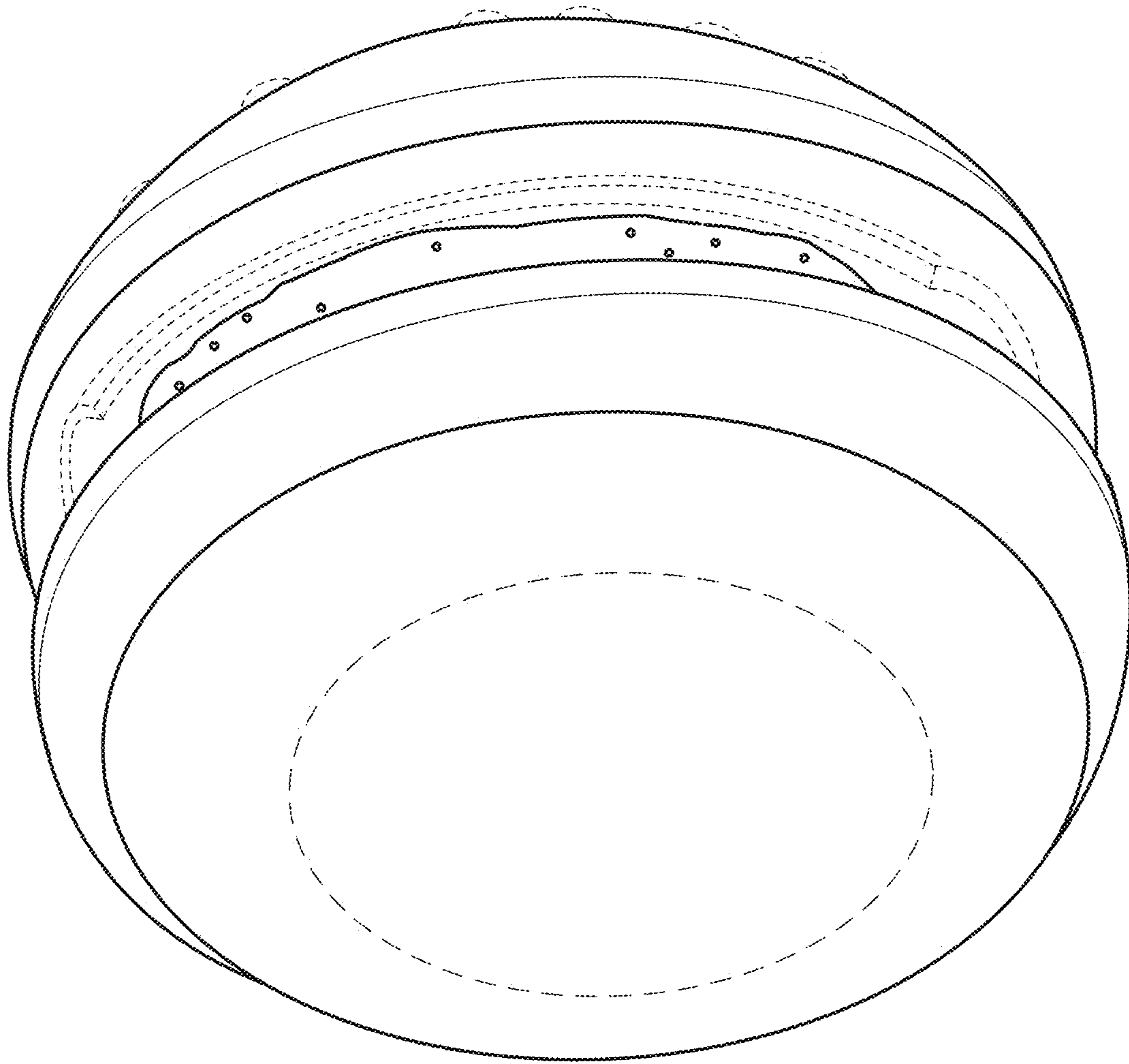


FIG. 7

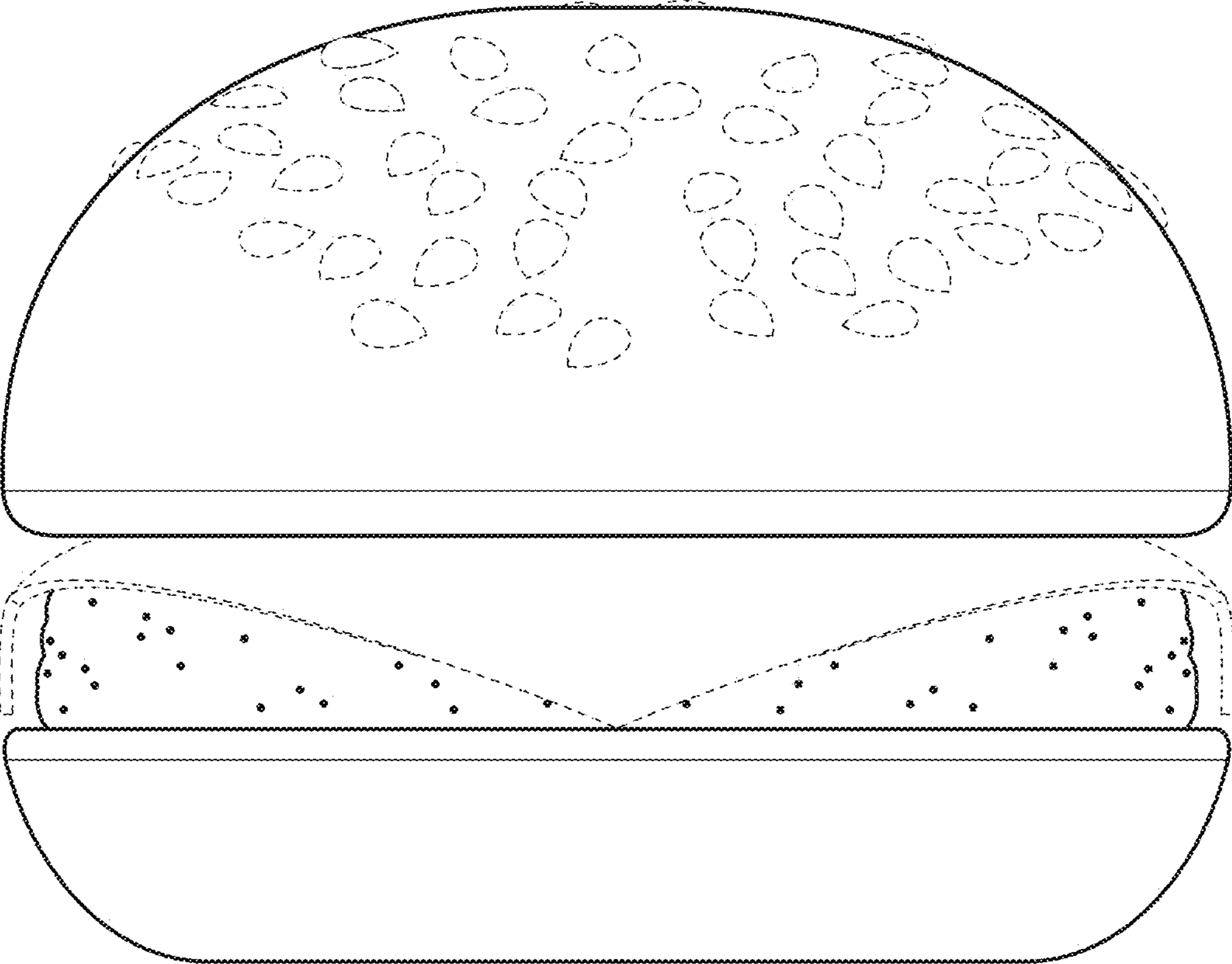


FIG. 8

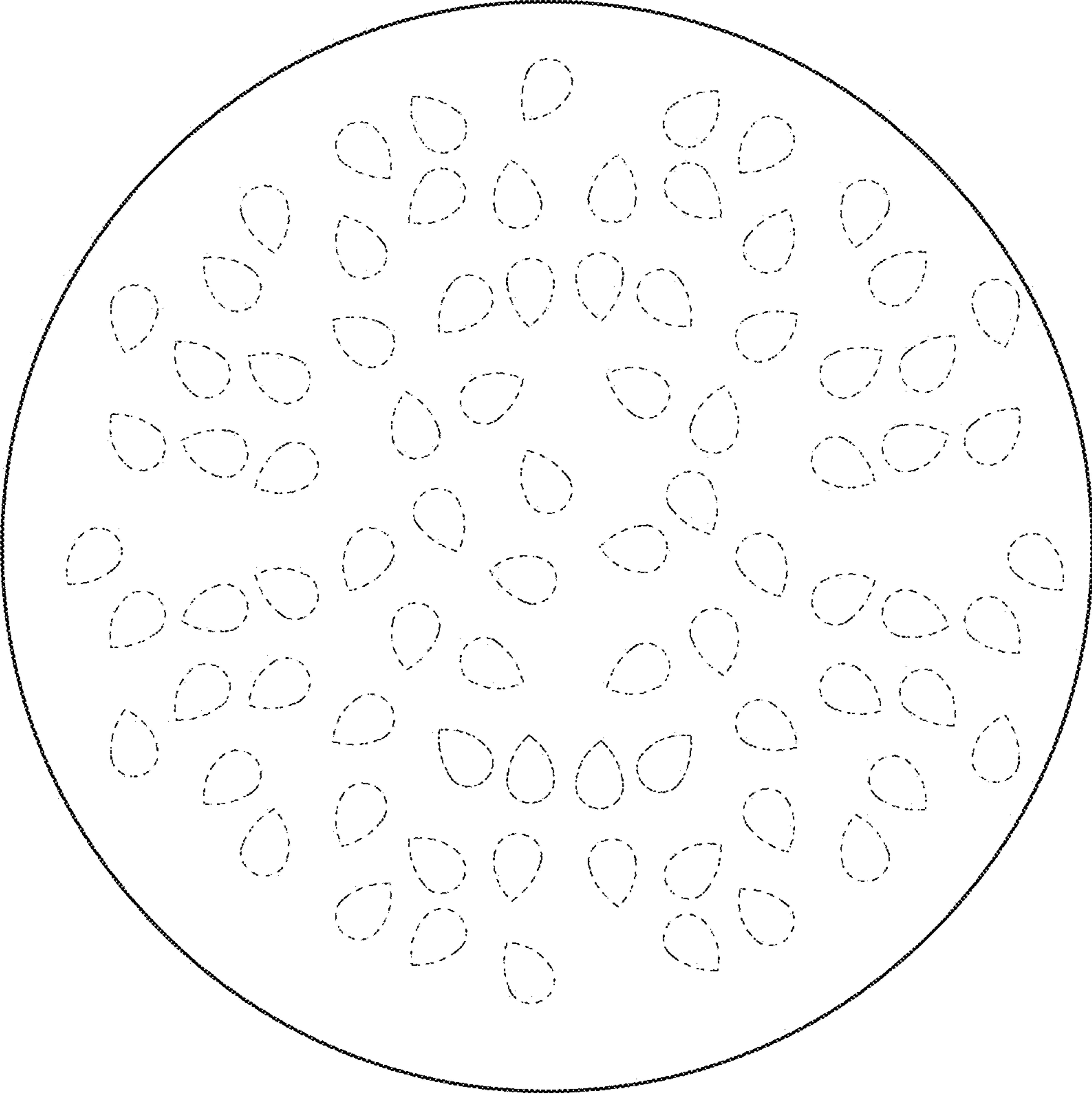


FIG. 9

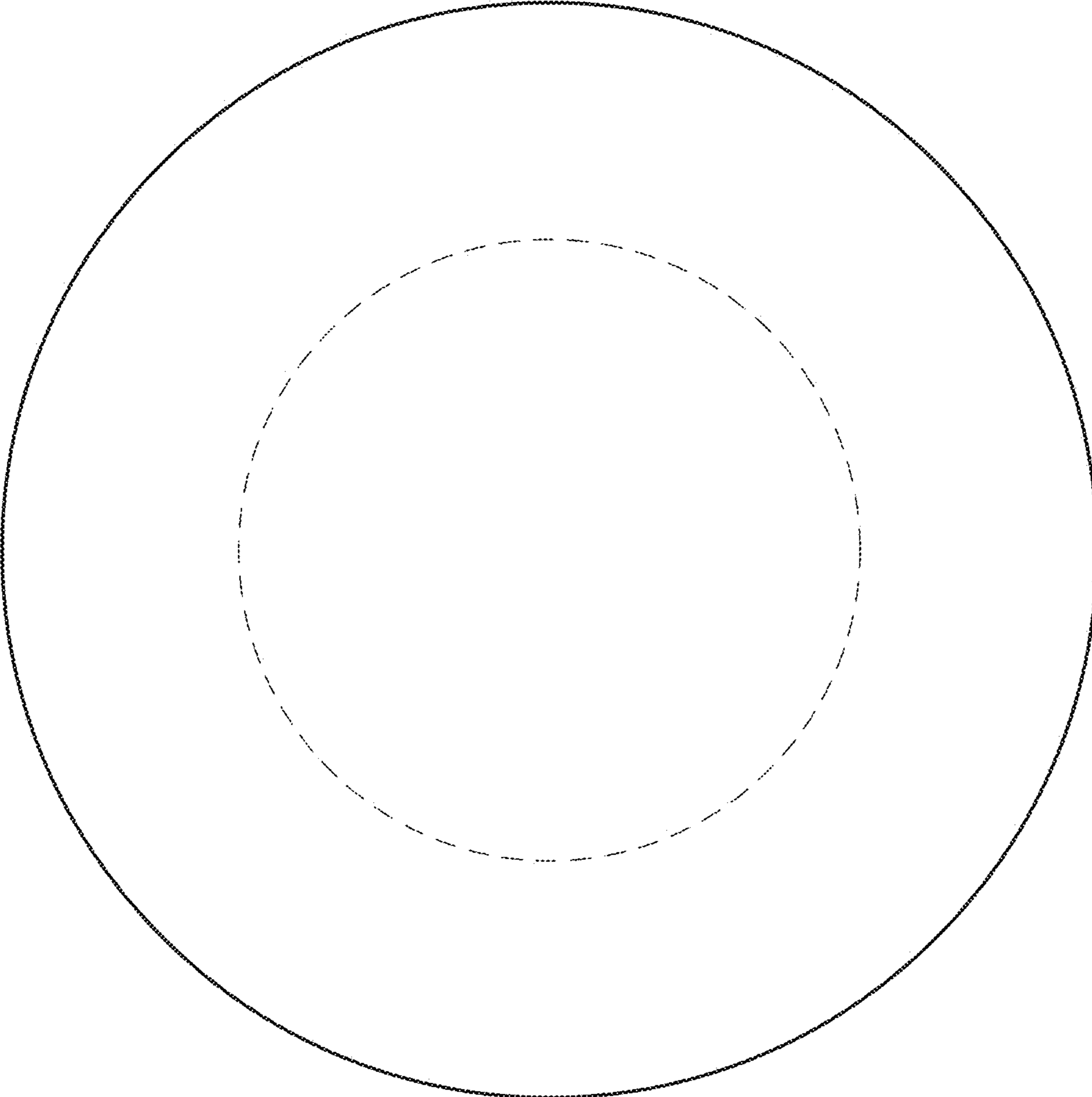


FIG. 10