



US00D884305S

(12) **United States Design Patent** (10) **Patent No.:** **US D884,305 S**
Platt (45) **Date of Patent:** **** May 12, 2020**

(54) **MAILBOX POST**
(71) Applicant: **Platt Designs, Inc.**, Simi Valley, CA (US)
(72) Inventor: **Scott Platt**, Simi Valley, CA (US)
(73) Assignee: **Platt Designs, Inc.**, Simi Valley, CA (US)
(**) Term: **15 Years**
(21) Appl. No.: **29/634,343**
(22) Filed: **Jan. 19, 2018**
(51) **LOC (12) Cl.** **99-00**
(52) **U.S. Cl.**
USPC **D99/32; D99/43**
(58) **Field of Classification Search**
USPC D99/28, 29, 30, 31, 32, 43, 99; 312/35; 232/1 R, 1 A, 1 C, 1 D, 4 R, 2, 17, 19, 232/20, 21, 22, 24, 27, 30, 31, 37, 38, 39, 232/44, 45
CPC A47G 29/12; A47G 29/1201; A47G 29/1203; A47G 29/1205; A47G 29/1207; A47G 29/1209; A47G 29/121; A47G 29/1212; A47G 29/1214; A47G 29/1216; A47G 29/1218; A47G 29/122; A47G 29/1225; A47G 29/16; A47G 29/00
See application file for complete search history.

5,307,598 A * 5/1994 West A47G 29/1216 232/39
D362,096 S * 9/1995 Loper D99/43
D362,534 S * 9/1995 Gensburg D20/17
D371,885 S * 7/1996 Pennington D99/32
D390,328 S * 2/1998 Barton, Jr. D99/29
D390,329 S * 2/1998 Riley D99/32
D393,532 S * 4/1998 Black D99/32
D462,499 S * 9/2002 Erwin D99/32
D503,845 S * 4/2005 Taylor D99/32
D531,380 S * 10/2006 Mountz D99/32
7,290,697 B1 * 11/2007 Lessard A47G 29/1216 232/39
D590,125 S * 4/2009 Waters D99/32
D727,590 S * 4/2015 Rogerson D99/32
D739,114 S * 9/2015 Buttecali D99/32
D739,640 S * 9/2015 Buttecali D99/32
D765,940 S * 9/2016 Buttecali D99/32

* cited by examiner

Primary Examiner — Elizabeth J Oswecki
(74) *Attorney, Agent, or Firm* — Lowry Blixseth APC; Scott M. Lowry

(57) **CLAIM**

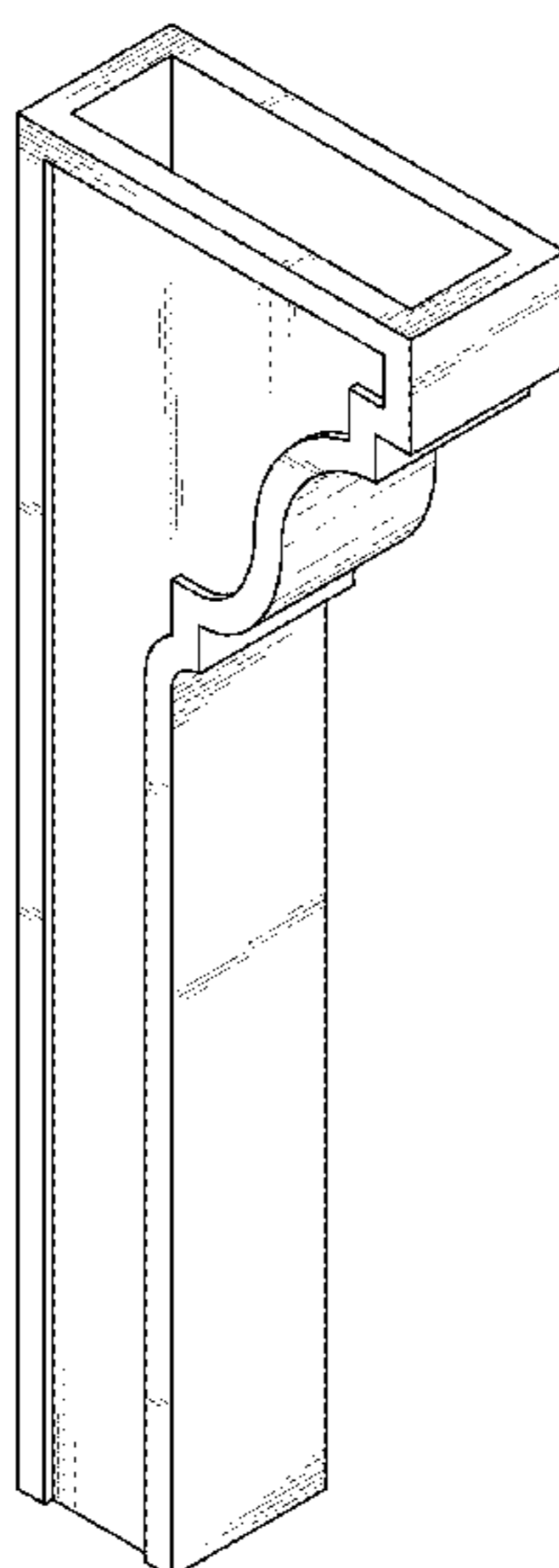
The ornamental design for a mailbox post, as shown and described.

DESCRIPTION

FIG. 1 is a front, top, and left side perspective view of a mailbox post, showing my new design; FIG. 2 is a left side elevation view thereof; FIG. 3 is a front elevation view thereof; FIG. 4 is a rear elevation view thereof; FIG. 5 is a top plan view thereof; and, FIG. 6 is a bottom plan view thereof. The broken lines and the unshaded surface areas adjacent to the broken lines shown in the drawing of FIG. 5 represent portions of the mailbox post that form no part of the claimed design.

1 Claim, 4 Drawing Sheets

(56) **References Cited**
U.S. PATENT DOCUMENTS
3,465,994 A * 9/1969 Block A47G 29/1216 248/130
3,497,078 A * 2/1970 Nash A47G 29/1216 211/79
3,802,656 A * 4/1974 Virblas A47G 29/1216 248/145
D322,877 S * 12/1991 Roach D99/32
5,076,032 A * 12/1991 Lehman E02D 5/80 248/156



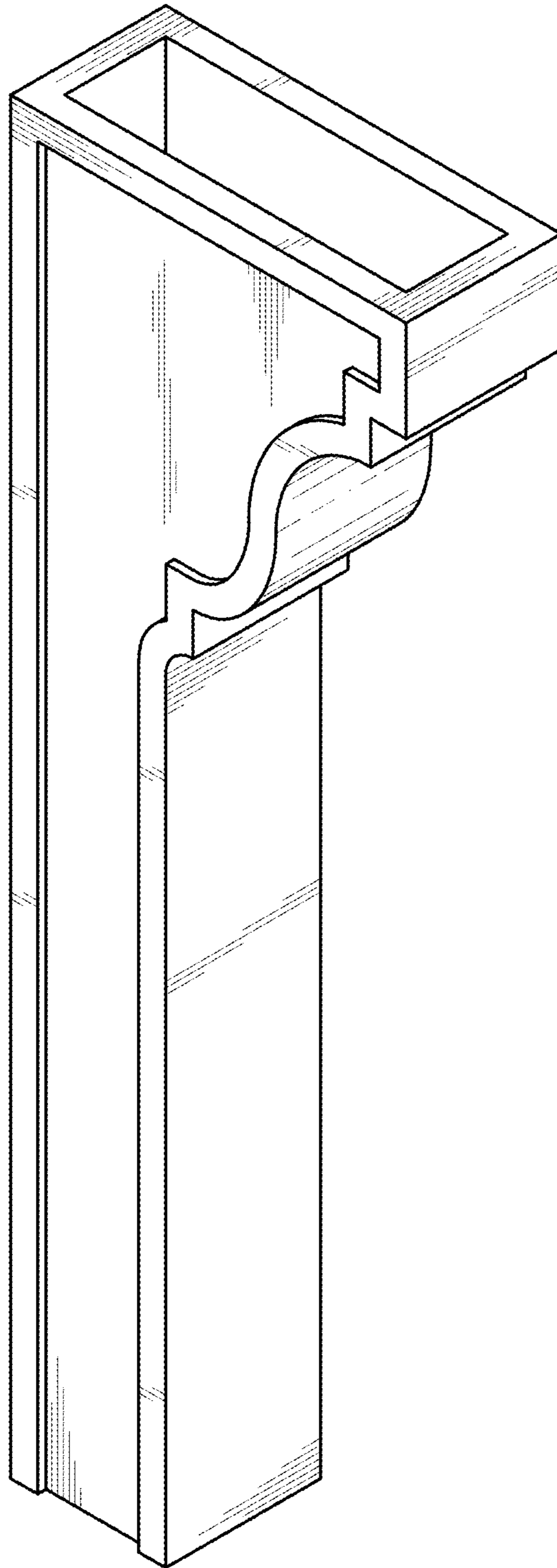


FIG. 1

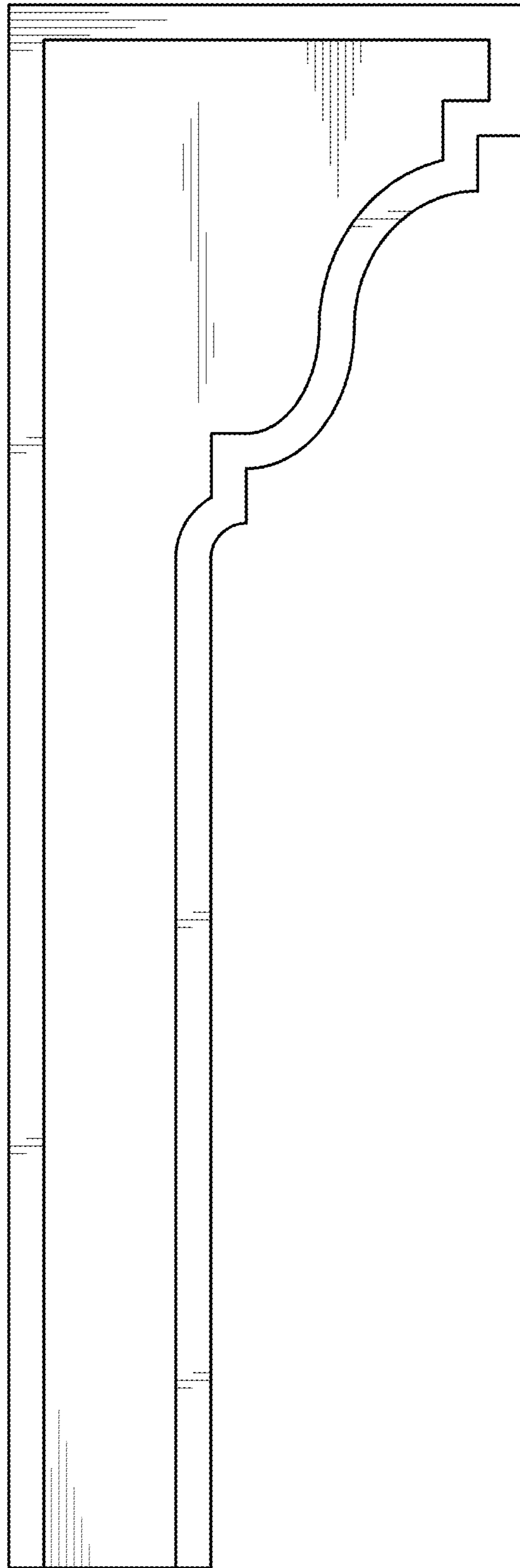


FIG. 2

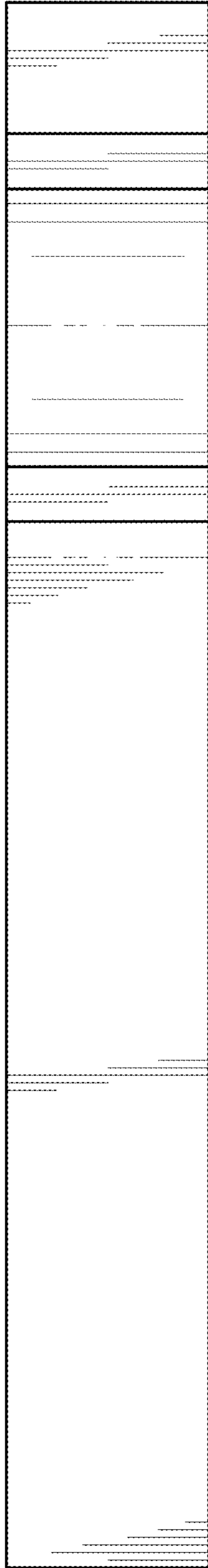


FIG. 3



FIG. 4

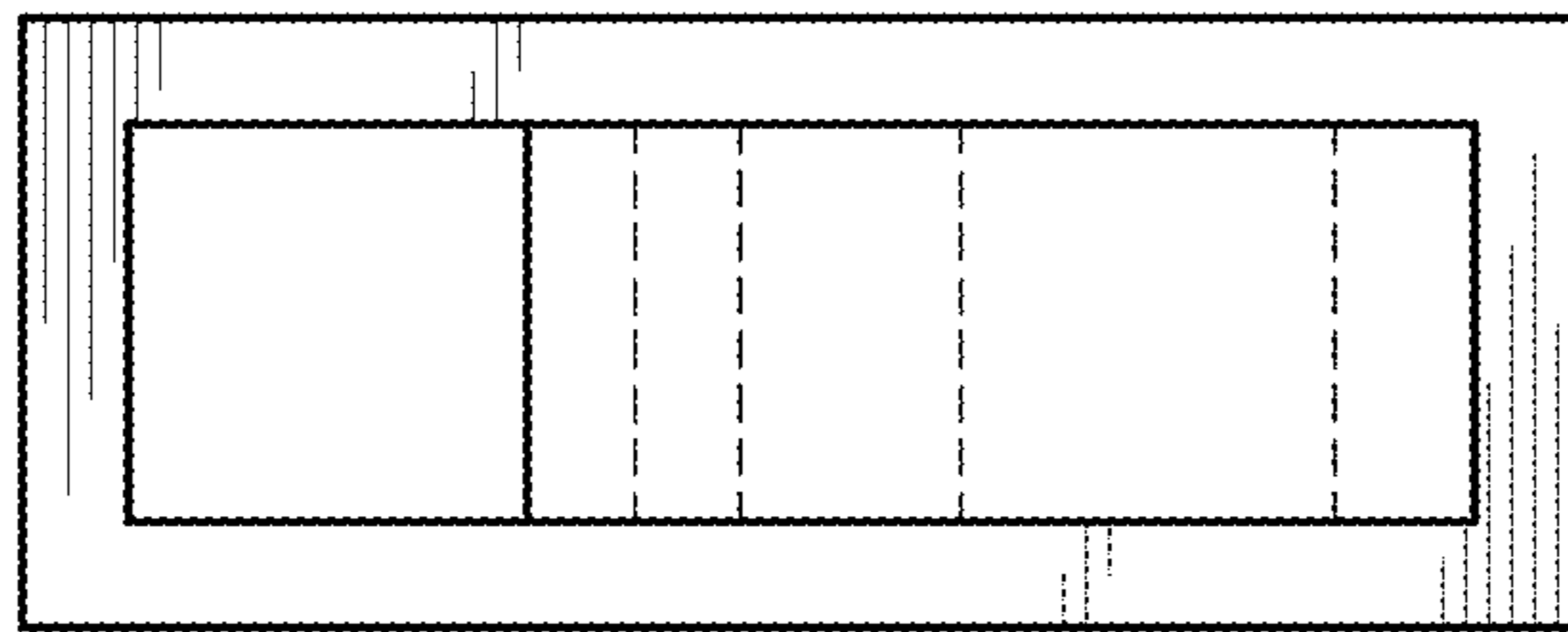


FIG. 5

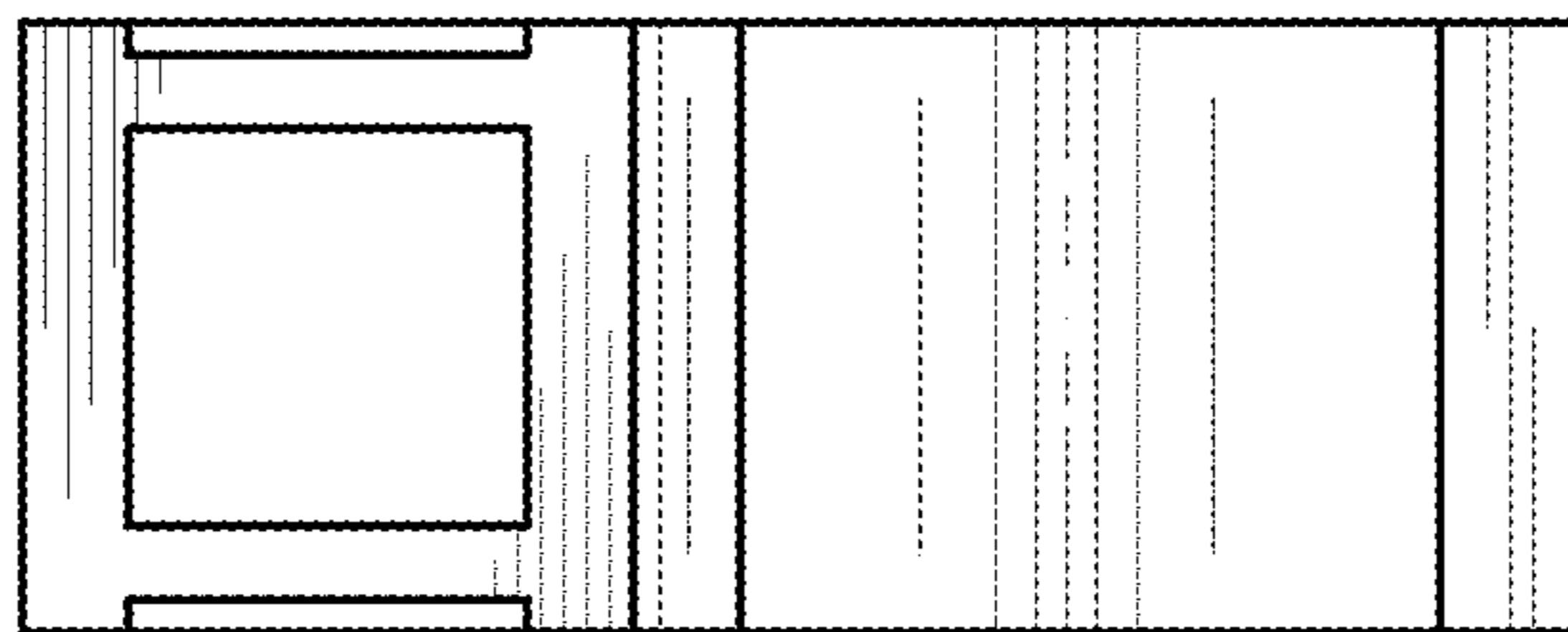


FIG. 6