



US00D884302S

(12) **United States Design Patent** (10) **Patent No.:** **US D884,302 S**  
**Azzaro** (45) **Date of Patent:** **\*\* May 12, 2020**

- (54) **TRASH CAN LID FASTENER**
- (71) Applicant: **Robert A. Azzaro**, Pacifica, CA (US)
- (72) Inventor: **Robert A. Azzaro**, Pacifica, CA (US)
- (\*\*) Term: **15 Years**
- (21) Appl. No.: **29/673,855**
- (22) Filed: **Dec. 18, 2018**

**Related U.S. Application Data**

- (63) Continuation-in-part of application No. 16/220,637, filed on Dec. 14, 2018.
- (51) **LOC (12) Cl.** ..... **09-09**
- (52) **U.S. Cl.**  
USPC ..... **D34/10; D8/349**
- (58) **Field of Classification Search**  
USPC ..... **D34/10, 11; D8/330, 331, 349, 382; D9/435**  
CPC .. **E04B 2/96; E04B 1/2403; E04B 2001/2415; E04B 2001/2439; E04B 2001/405; E04B 2001/2448; B61G 3/24; B65D 43/14; B65F 1/1607; B65F 1/1615**  
See application file for complete search history.

(56) **References Cited**

**U.S. PATENT DOCUMENTS**

2,974,990	A	3/1961	Mereness
3,124,381	A	3/1964	Geldart
3,336,065	A	8/1967	Roberson
4,202,574	A	5/1980	Redmayne
4,625,891	A	12/1986	Lilly
5,094,358	A	3/1992	Serio

D628,539	S	*	12/2010	Tezak	.....	D13/152
D663,190	S	*	7/2012	Mota	.....	D16/242
D690,188	S	*	9/2013	Pontus	.....	D8/349
D782,302	S	*	3/2017	Voncina	.....	D34/10
D814,905	S	*	4/2018	Ralph	.....	D8/349
D815,315	S	*	4/2018	Ralph	.....	D25/199
D815,316	S	*	4/2018	Ralph	.....	D25/199
D817,149	S	*	5/2018	Ralph	.....	D8/349
D831,466	S	*	10/2018	Lang	.....	D8/349
2014/0208813	A1	*	7/2014	Reeb	.....	B65F 1/1615 70/277
2015/0344224	A1	*	12/2015	Brokaw	.....	B65F 1/1473 280/47.17
2019/0055086	A1	*	2/2019	Hodge	.....	B65F 1/1615
2019/0185264	A1	*	6/2019	Azzaro	.....	B65F 1/1615

\* cited by examiner

*Primary Examiner* — Cynthia Ramirez

(74) *Attorney, Agent, or Firm* — Boudwin Intellectual Property

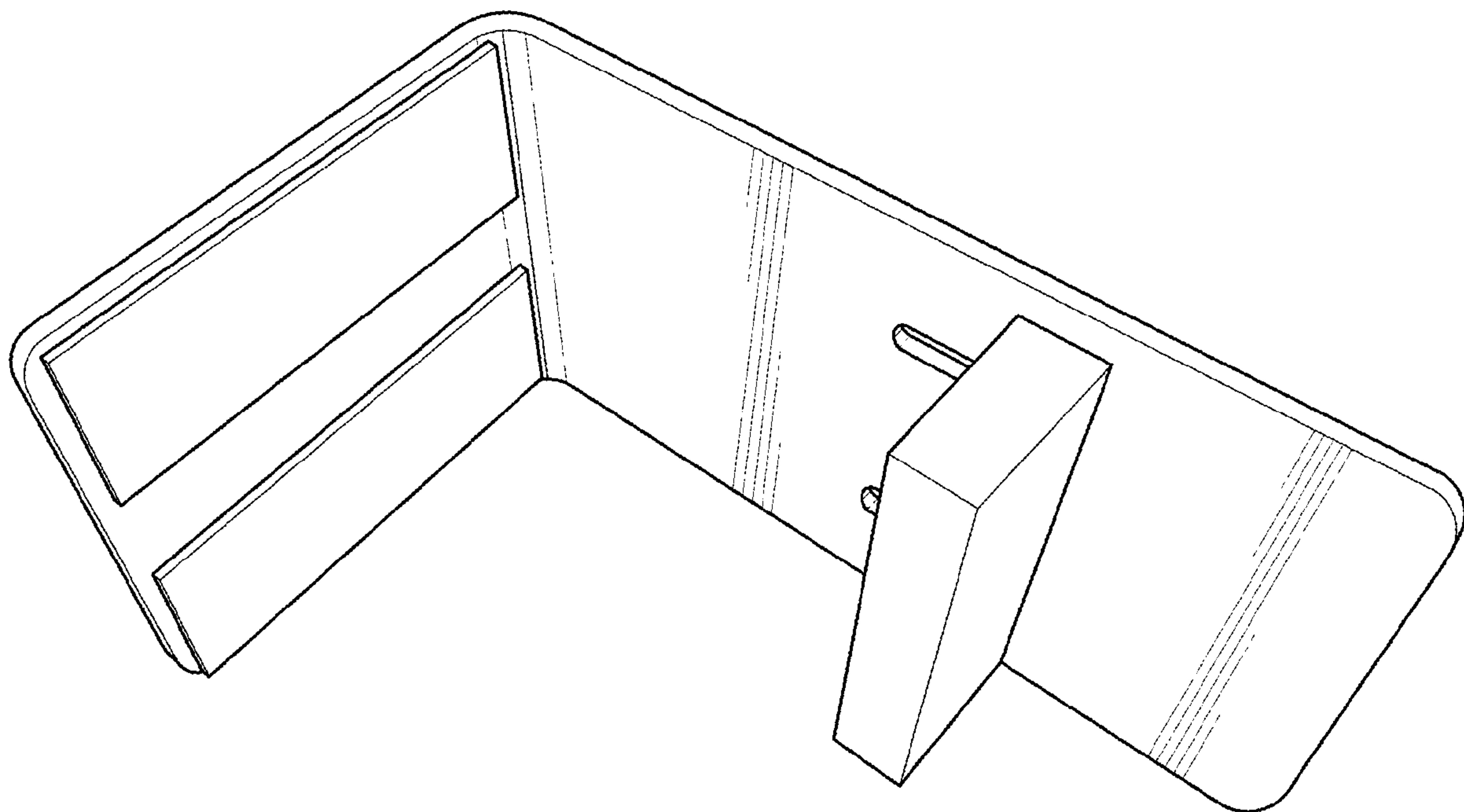
(57) **CLAIM**

The ornamental design for a trash can lid fastener, as shown and described.

**DESCRIPTION**

FIG. 1 shows a perspective view of a trash can lid fastener; FIG. 2 shows a front view of the trash can lid fastener; FIG. 3 shows a rear view of the trash can lid fastener; FIG. 4 shows a right side view of the trash can lid fastener; FIG. 5 shows a left side view of the trash can lid fastener; FIG. 6 shows a top plan view of the trash can lid fastener; and, FIG. 7 shows a bottom plan view of the trash can lid fastener.

**1 Claim, 4 Drawing Sheets**



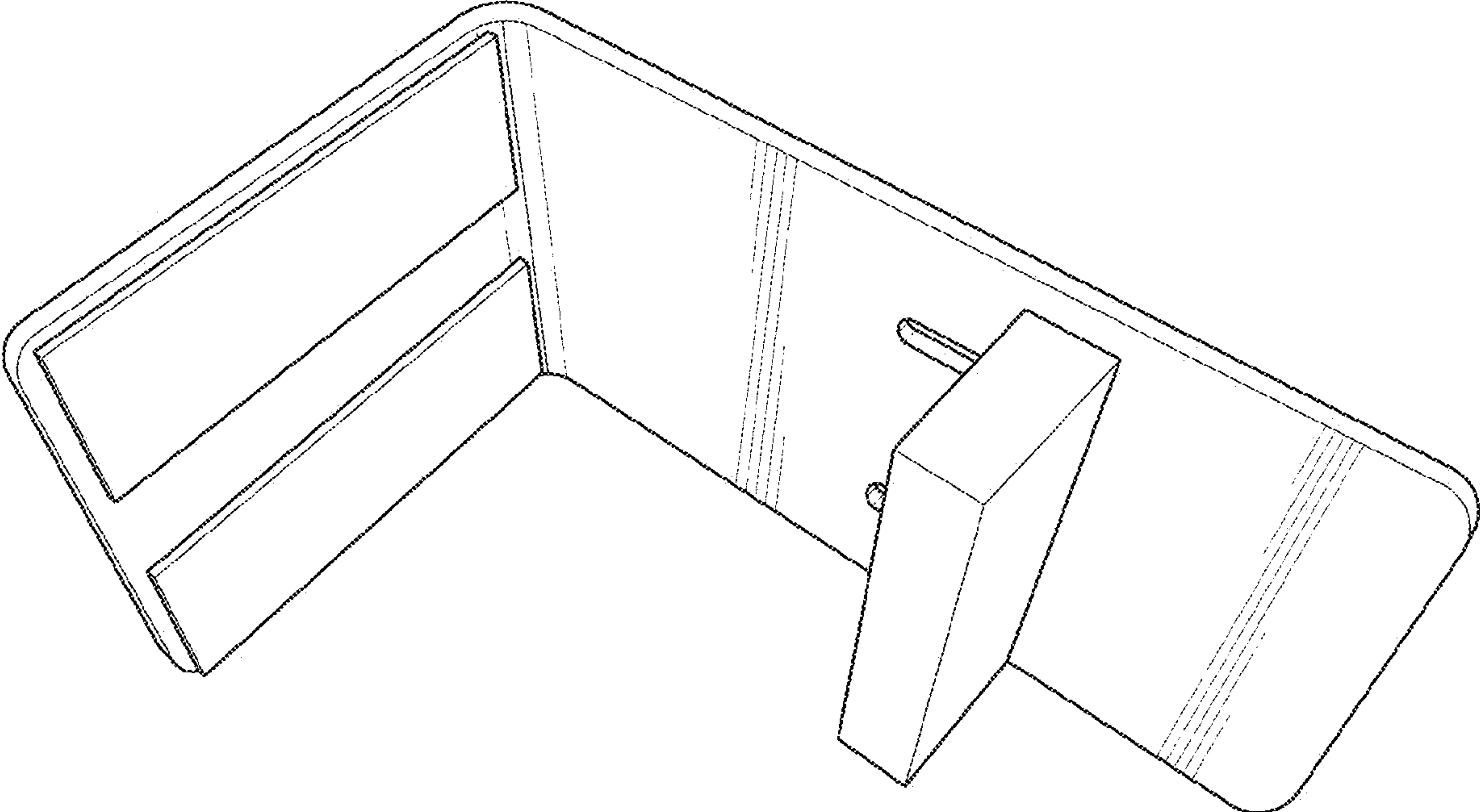


FIG. 1

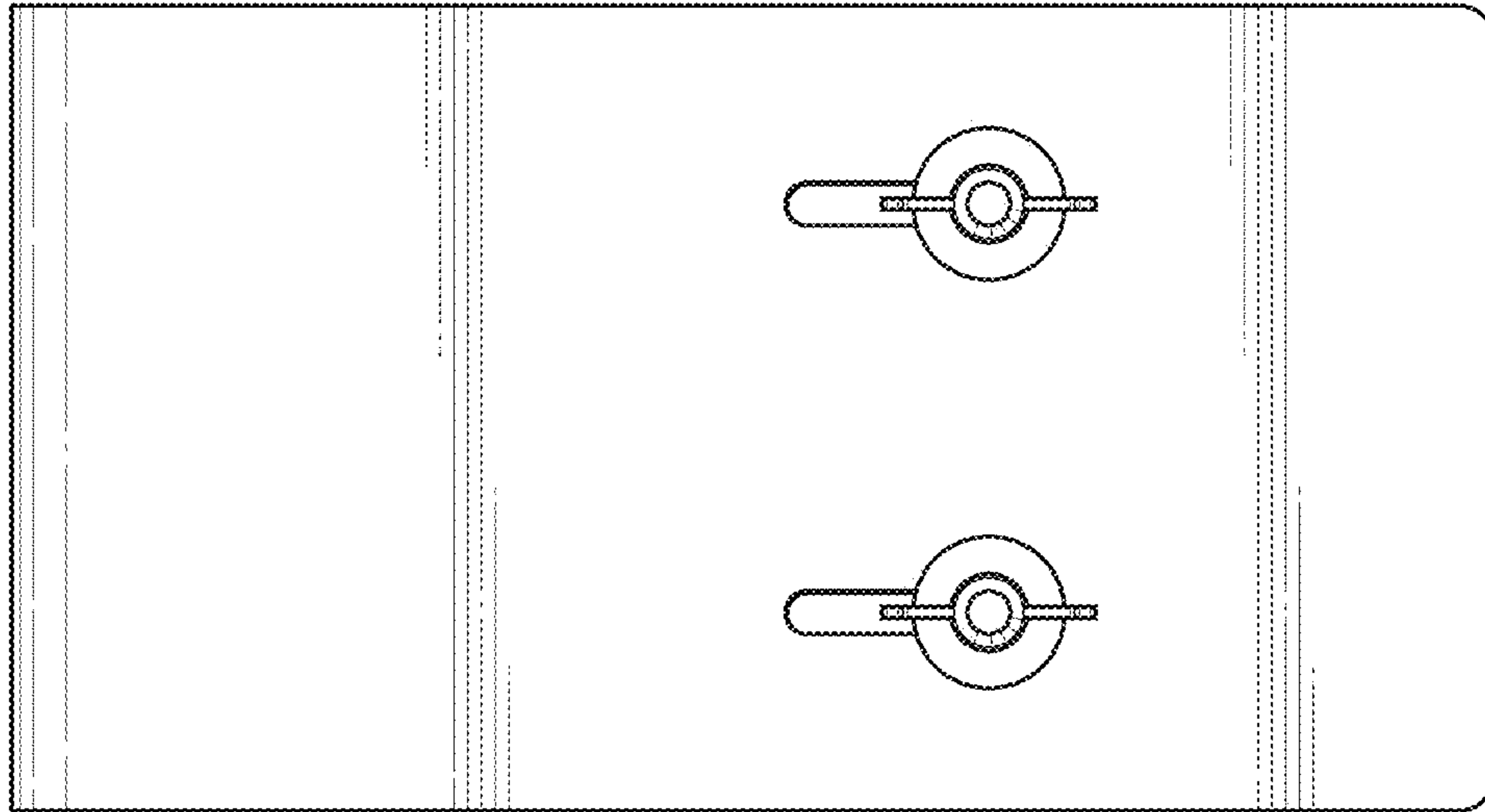


FIG. 2

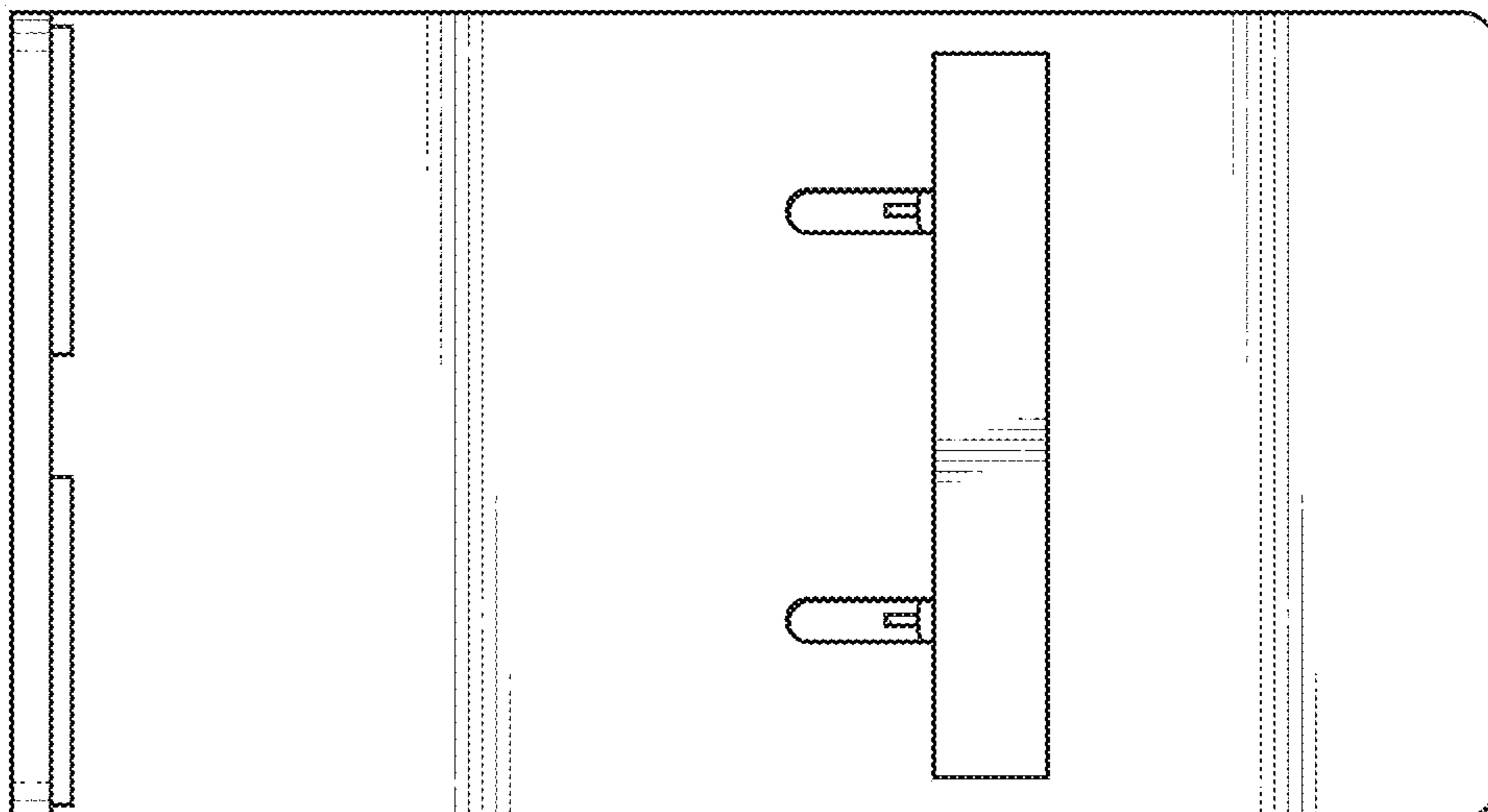


FIG. 3

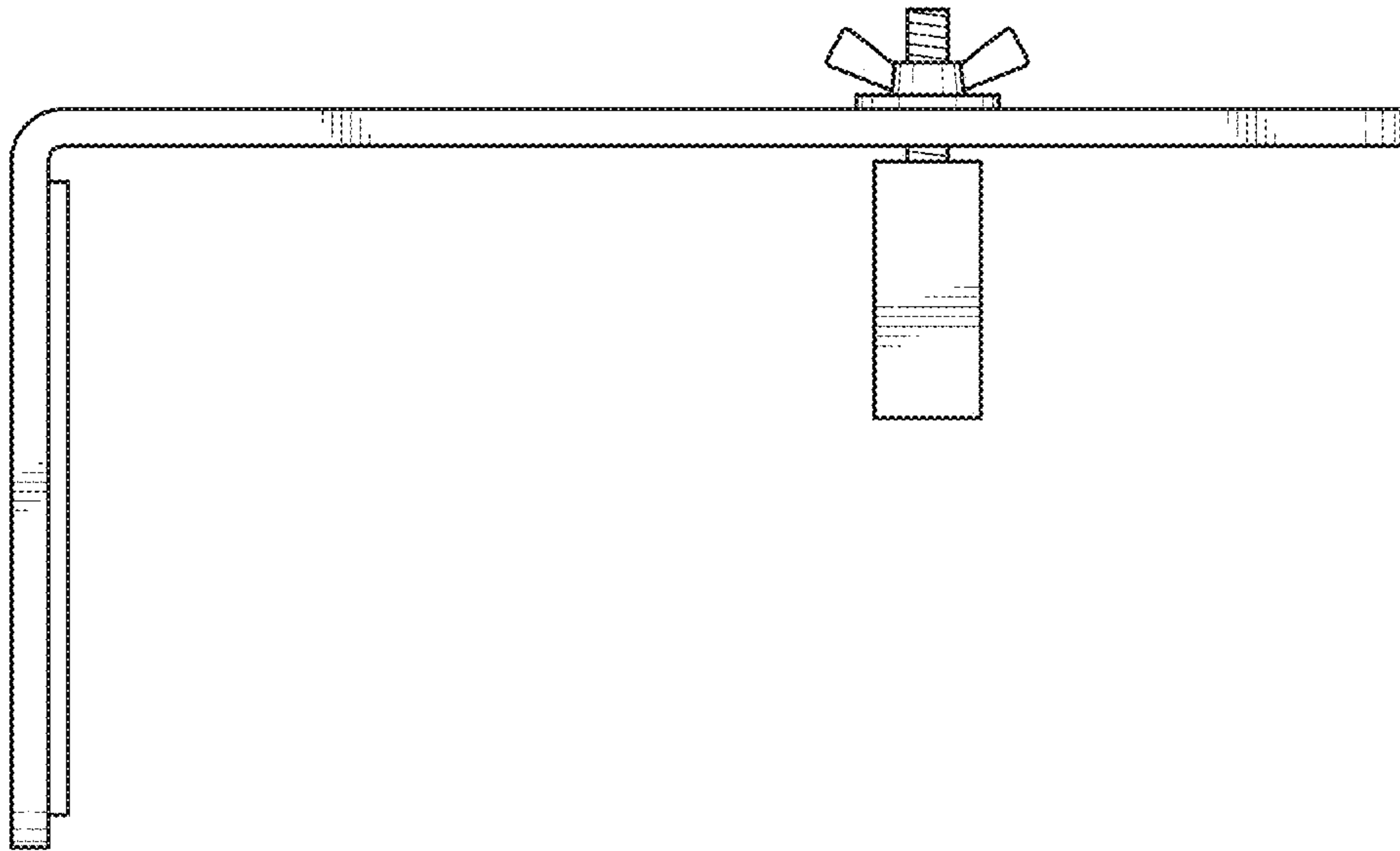


FIG. 4

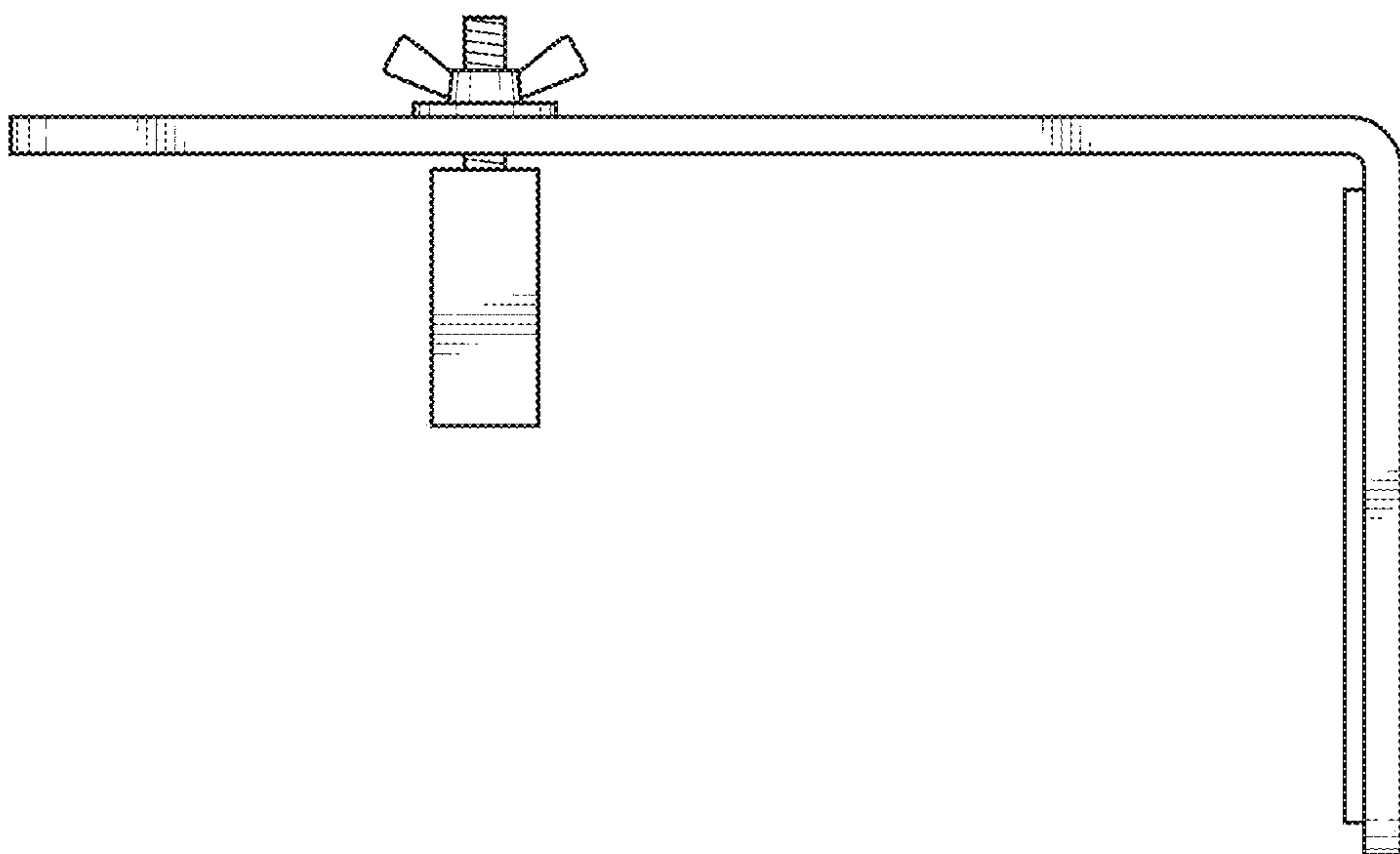


FIG. 5

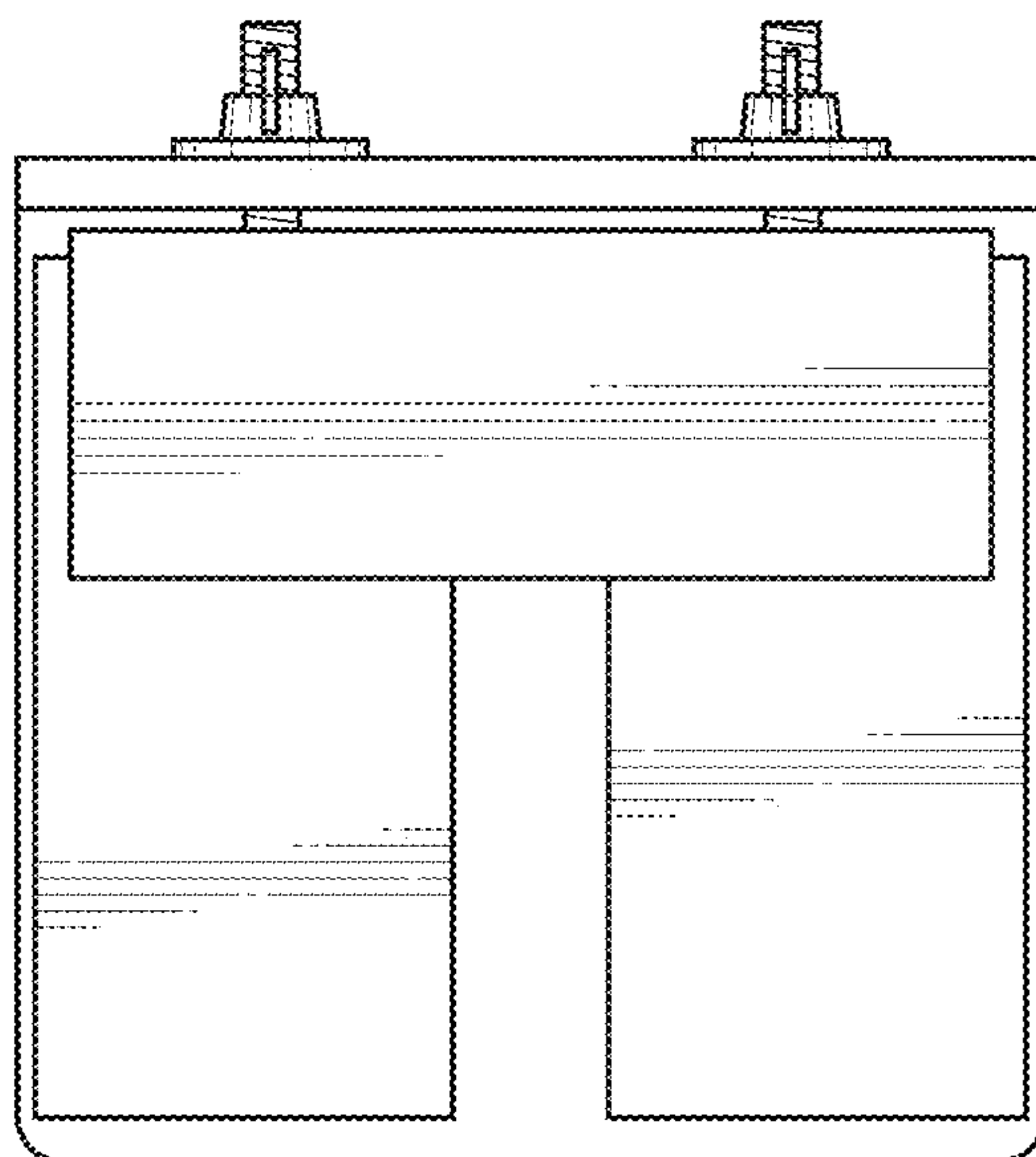


FIG. 6

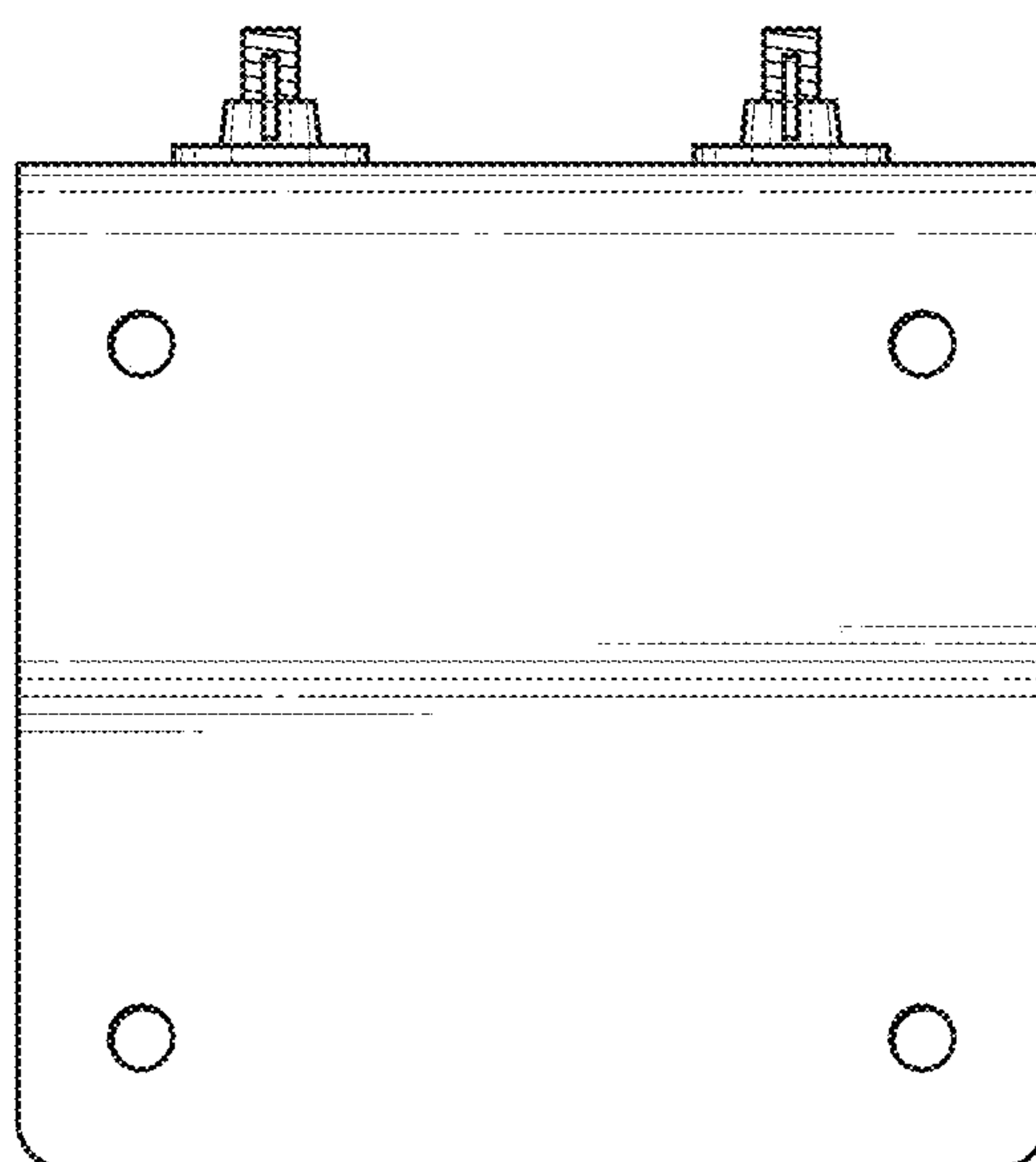


FIG. 7