



US00D884300S

(12) **United States Design Patent** (10) **Patent No.:** **US D884,300 S**
Wang (45) **Date of Patent:** **** May 12, 2020**

(54) **JOINT COMPOUND CONTAINER**
(71) Applicant: **Ping Kun Wang**, Kaohsiung (TW)
(72) Inventor: **Ping Kun Wang**, Kaohsiung (TW)
(**) Term: **15 Years**
(21) Appl. No.: **29/684,630**
(22) Filed: **Mar. 22, 2019**
(51) **LOC (12) Cl.** **07-05**
(52) **U.S. Cl.**
USPC **D32/53.1**
(58) **Field of Classification Search**
USPC D32/37, 53, 53.1, 54; D3/304, 307, 315,
D3/905; D23/284, 288, 290; D7/603;
D21/532
CPC B44D 3/123; B44D 3/128; B44D 3/12;
B44D 3/126; B44D 3/127; B65D
2543/00092; B65D 5/22; B65D 5/244;
E04F 21/02; E04G 21/00
See application file for complete search history.

(56) **References Cited**
U.S. PATENT DOCUMENTS
D157,213 S * 2/1950 Stevens D32/53.1
3,493,988 A * 2/1970 Tidwell B44D 3/126
15/257.06
D286,929 S * 11/1986 Brandon B44D 3/126
D32/53.1
5,603,428 A * 2/1997 Breckwoltd E04G 21/005
220/755
D407,181 S * 3/1999 Winburn E04F 21/00
D99/8
7,988,012 B2 8/2011 Bruno et al.
D721,743 S * 1/2015 Taylor E04G 21/005
D15/21
D753,413 S * 4/2016 Anderson D6/580
D811,000 S * 2/2018 Kearney D26/138

2003/0034349 A1* 2/2003 Frey E04F 21/02
220/632
2006/0169705 A1* 8/2006 Pool E04G 21/005
220/629
2006/0273086 A1 12/2006 Marino et al.
2008/0000918 A1* 1/2008 Bruno E04G 21/005
220/695
2019/0218803 A1* 7/2019 Wang E04F 21/00

OTHER PUBLICATIONS

Getpaintsupplies.com, Merit pro00715 12 galvanized mud pan, undated online product page, retrieved Mar. 10, 2020 from <URL: <http://www.getpaintsupplies.com/merit-pro-00715-12-galvanized-mud-pan-3-piece-foldover-seams/>> (Year: 2020).*

* cited by examiner

Primary Examiner — Sheryl Lane
Assistant Examiner — Calvin E Vansant
(74) *Attorney, Agent, or Firm* — Thomas J. Nikolai; DeWitt LLP

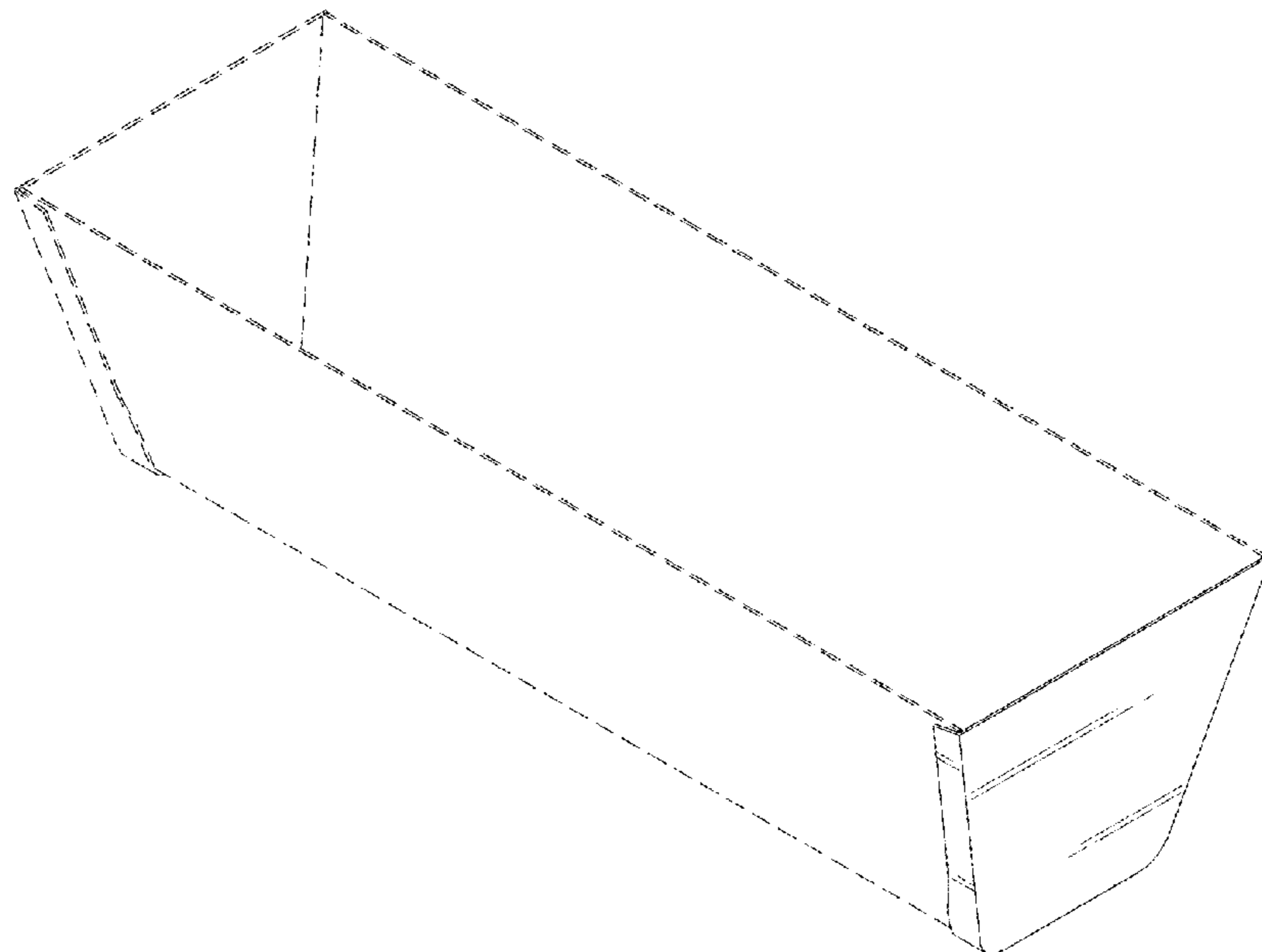
(57) **CLAIM**

The ornamental design for a joint compound container, as shown and described.

DESCRIPTION

FIG. 1 is a perspective view of a joint compound container showing my new design;
FIG. 2 is a front elevational view thereof;
FIG. 3 is a rear elevational view thereof;
FIG. 4 is a left side elevation view thereof;
FIG. 5 is a right side elevation view thereof;
FIG. 6 is a top plan view thereof; and,
FIG. 7 is a bottom plan view thereof.
The broken lines illustrate portions of the joint compound container that form no part of the claimed design.

1 Claim, 4 Drawing Sheets



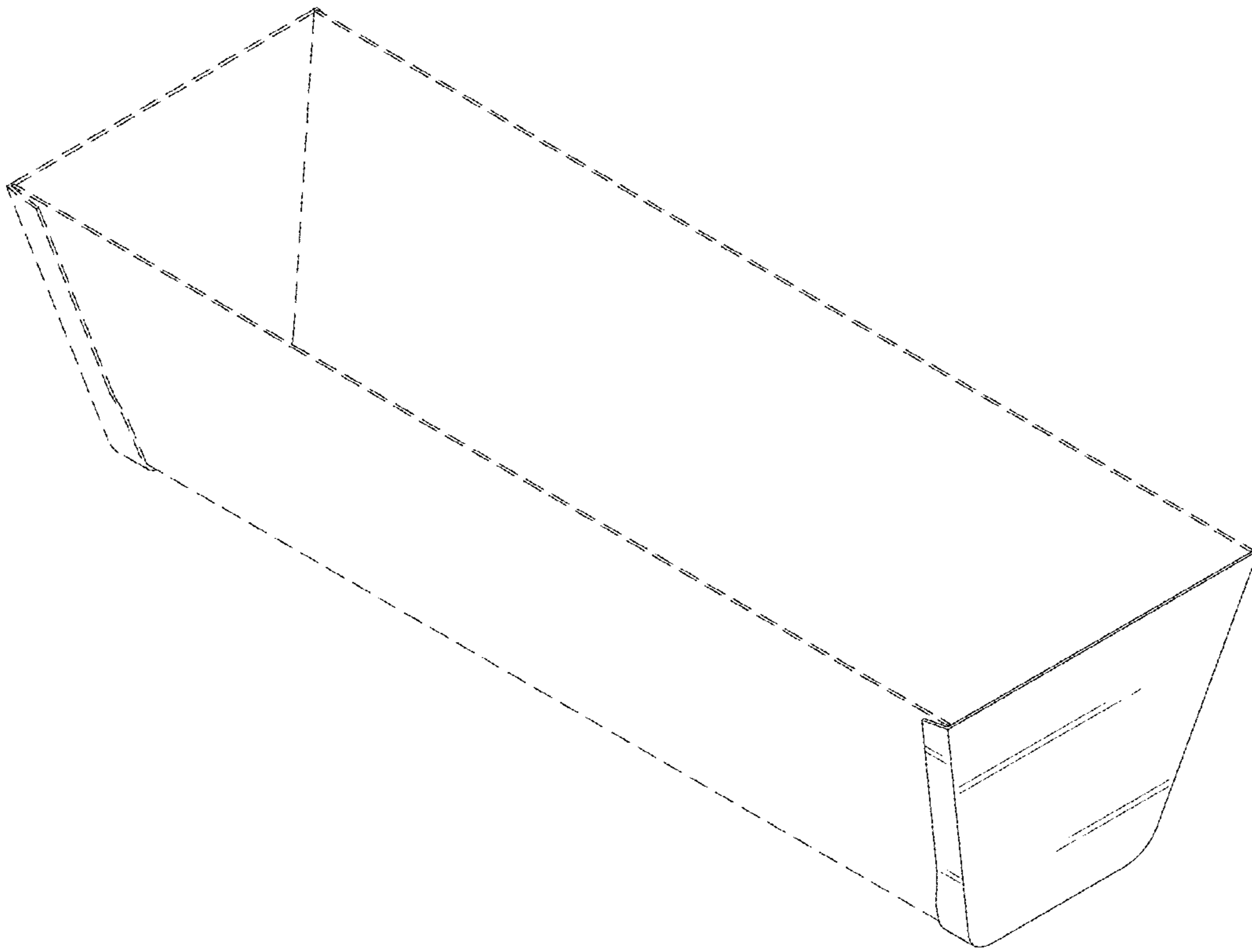


FIG. 1

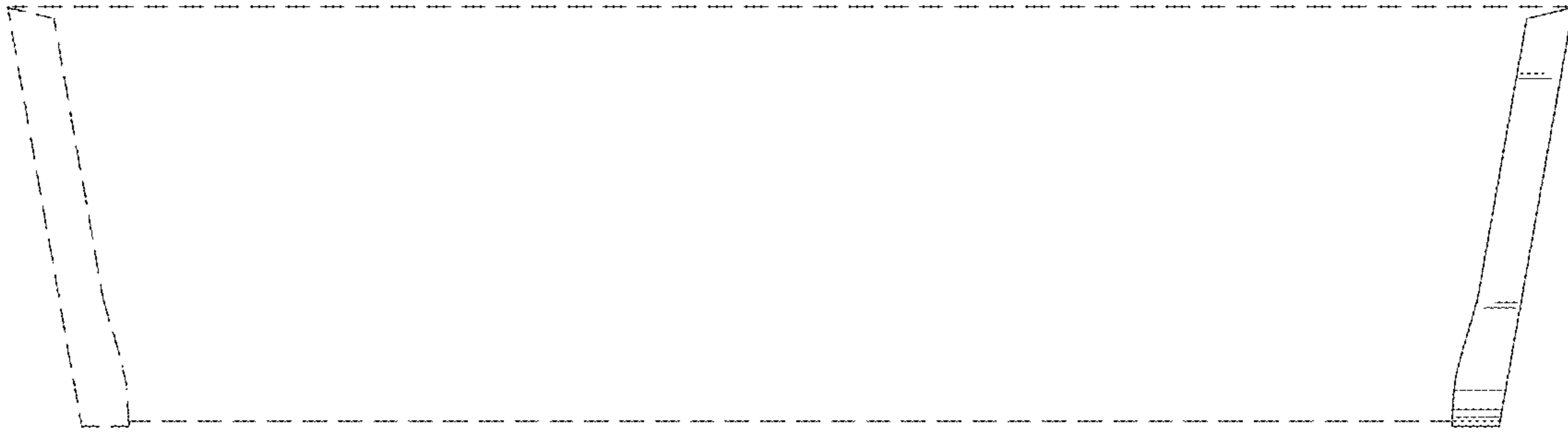


FIG. 2



FIG. 3

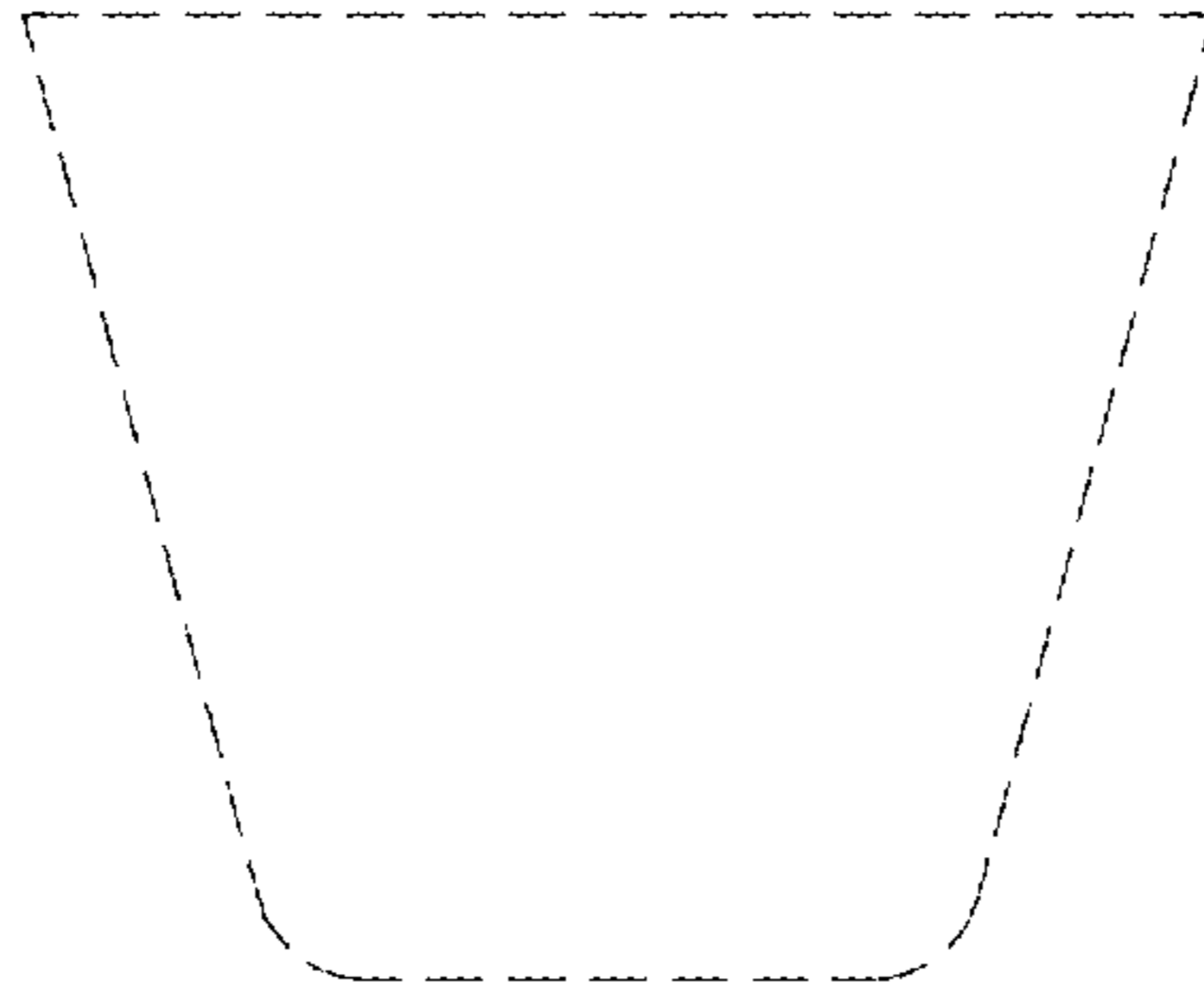


FIG. 4

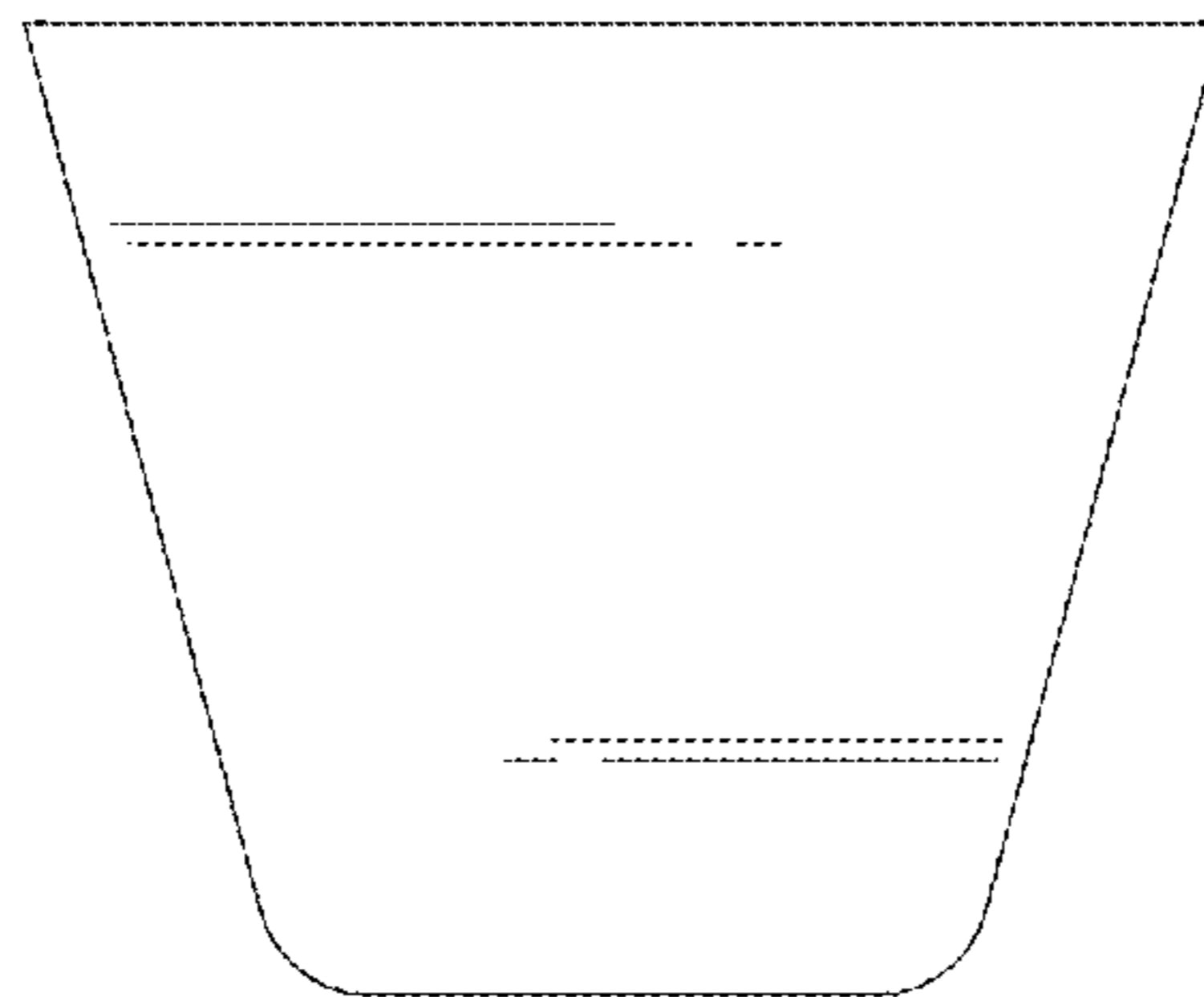


FIG. 5



FIG. 6

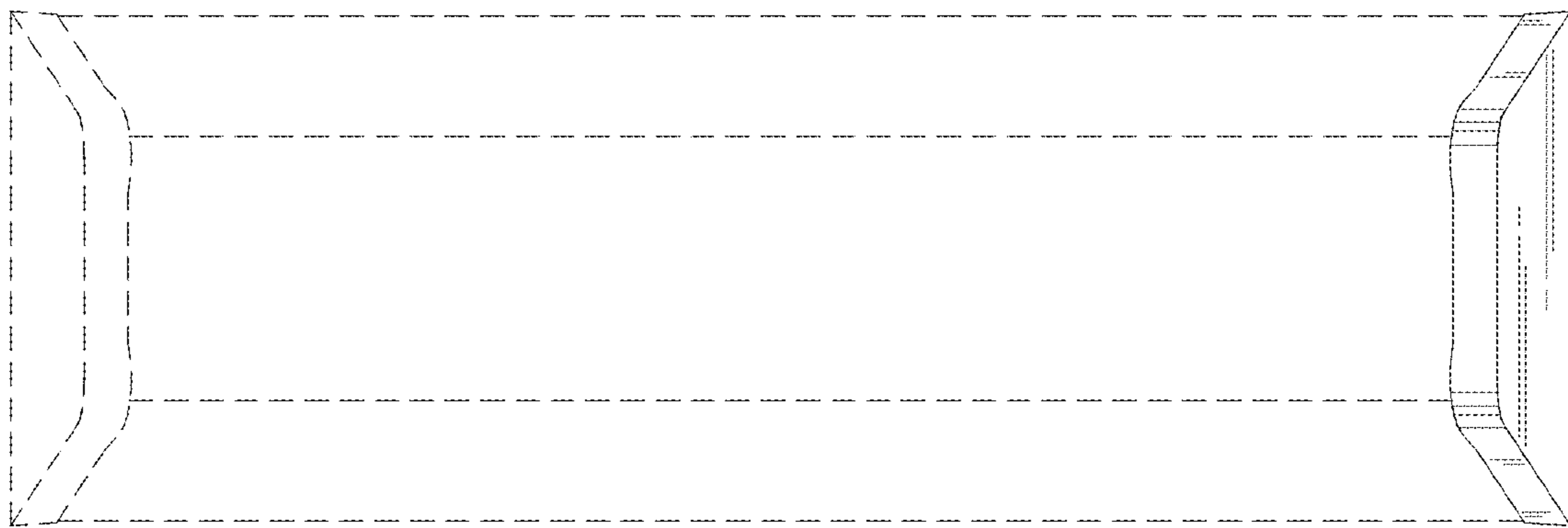


FIG. 7