



US00D884298S

(12) **United States Design Patent**
Li et al.

(10) **Patent No.:** **US D884,298 S**

(45) **Date of Patent:** **** May 12, 2020**

(54) **ROBOTIC CLEANER**

(71) Applicant: **Ecovacs Robotics Co., Ltd.**, Suzhou (CN)

(72) Inventors: **Xiaowen Li**, Nanjing (CN); **Jinye Zhou**, Zhangjiagang (CN); **Jingya Xie**, Suzhou (CN); **Fang He**, Nanjing (CN)

(73) Assignee: **ECOVACS ROBOTICS CO., LTD.**, Suzhou (CN)

(**) Term: **15 Years**

(21) Appl. No.: **29/660,767**

(22) Filed: **Aug. 22, 2018**

(51) **LOC (12) Cl.** **15-05**

(52) **U.S. Cl.**
USPC **D32/21**

(58) **Field of Classification Search**
USPC D32/21, 23-24, 31
CPC ... E04H 4/1654; E04H 4/1663; E04H 4/1672;
A47L 9/2842; A47L 9/2636; A47L
9/2852; G06N 3/008; G05D 1/0225
See application file for complete search history.

(56) **References Cited**

U.S. PATENT DOCUMENTS

D548,902 S * 8/2007 Chun D32/21
D556,961 S * 12/2007 Swyst D15/199
D665,547 S * 8/2012 Nam D32/21
D669,235 S * 10/2012 Bassett D32/21

D690,478 S * 9/2013 Li D32/21
D703,397 S * 4/2014 Sungkyung D32/21
D714,002 S * 9/2014 Casini D32/21
D714,003 S * 9/2014 Casini D32/21
D715,504 S * 10/2014 Deoksang D32/21
D771,884 S * 11/2016 Ninomiya D32/21
D835,869 S * 12/2018 Li D32/21
D840,617 S * 2/2019 Dou D32/21
D843,671 S * 3/2019 Chei D32/21

FOREIGN PATENT DOCUMENTS

CN 303226190 S 5/2015
CN 303949708 S 11/2016
CN 304104713 S 4/2017
CN 304414938 S 12/2017
CN 303896126 S 10/2018

* cited by examiner

Primary Examiner — Michael A. Pratt

(74) *Attorney, Agent, or Firm* — Maschoff Brennan

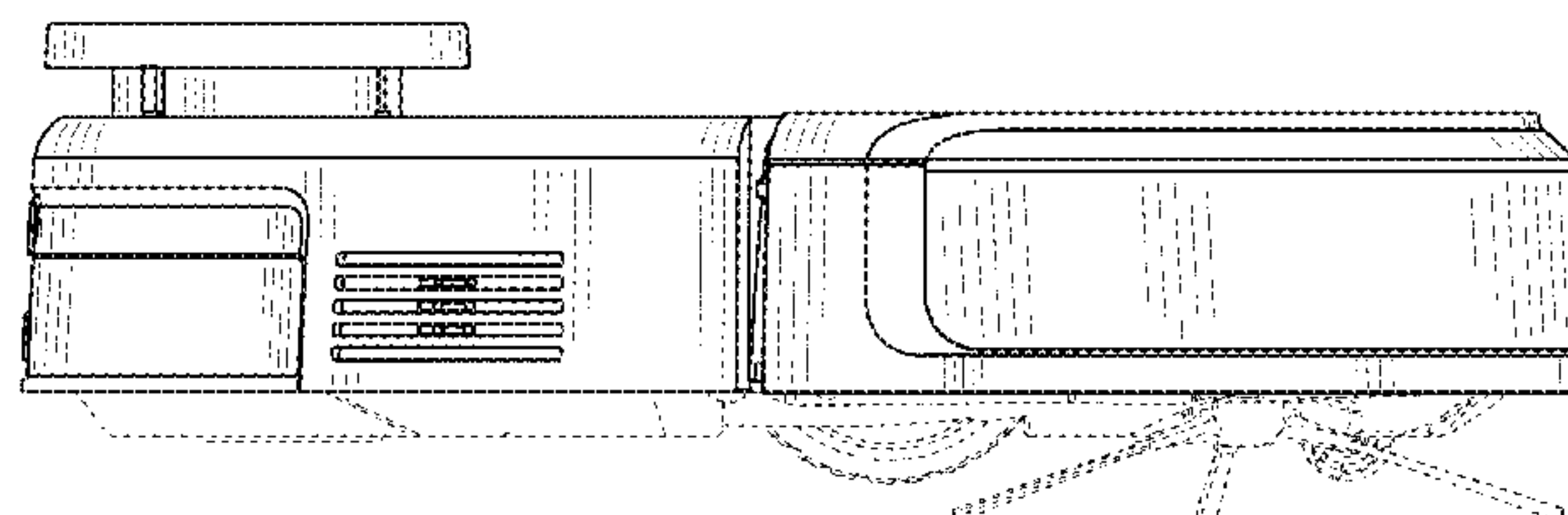
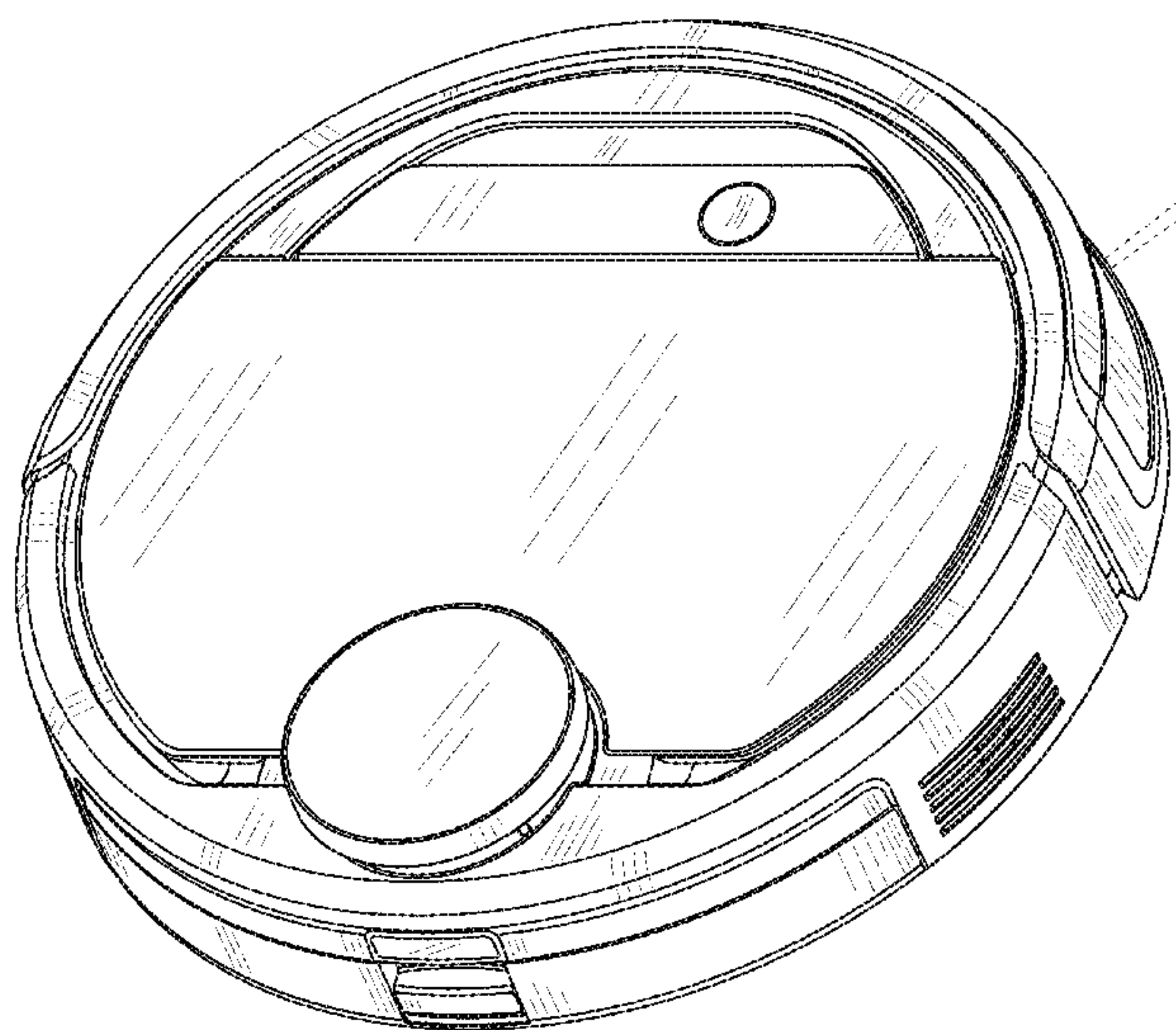
(57) **CLAIM**

The ornamental design for a robotic cleaner, as shown and described.

DESCRIPTION

FIG. 1 is a front perspective view of our wireless robotic window cleaner;
FIG. 2 is the top view thereof;
FIG. 3 is the right side view thereof;
FIG. 4 is the left side view thereof;
FIG. 5 is the front view thereof; and,
FIG. 6 is the rear view thereof.

1 Claim, 6 Drawing Sheets



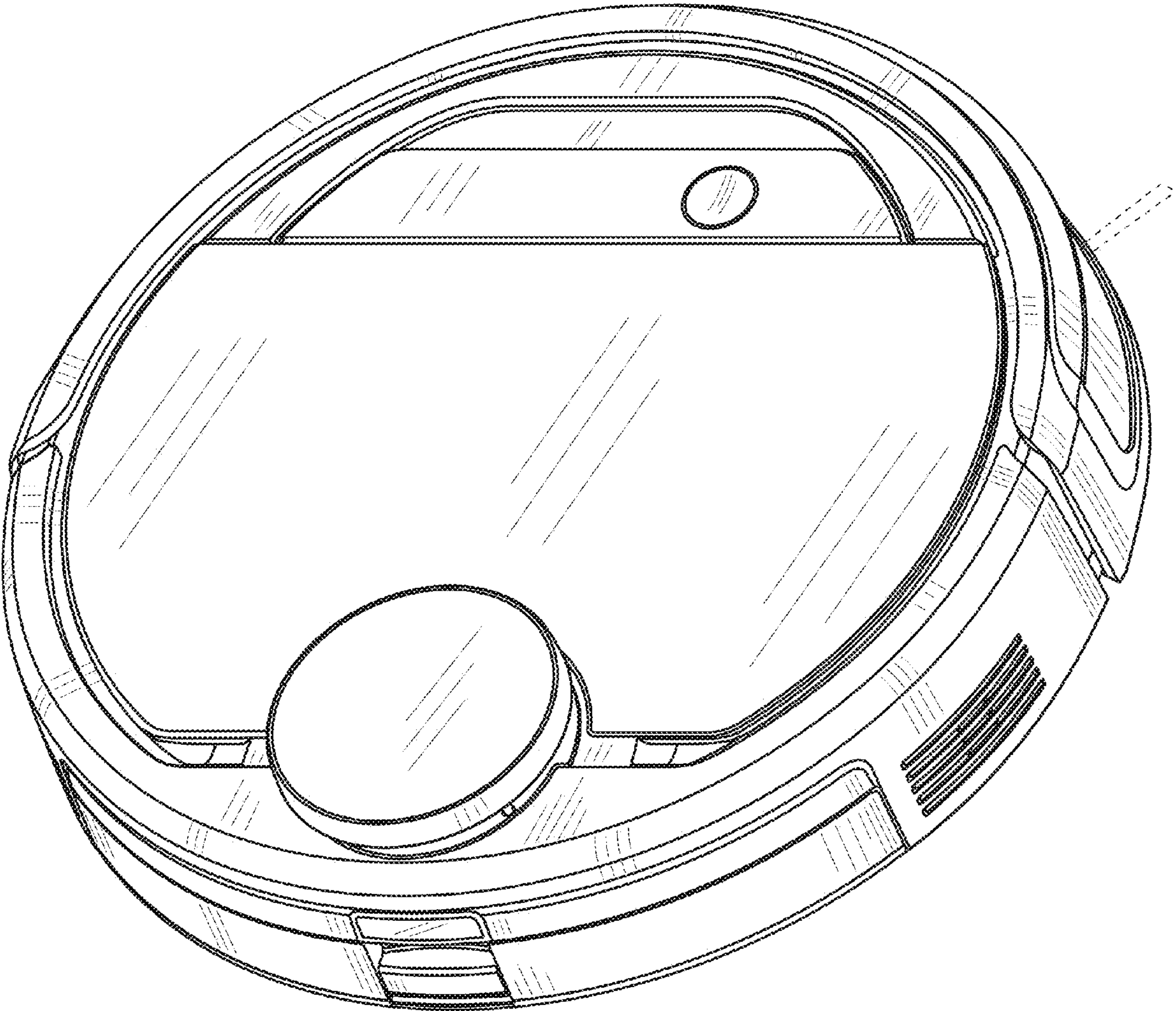


FIG.1

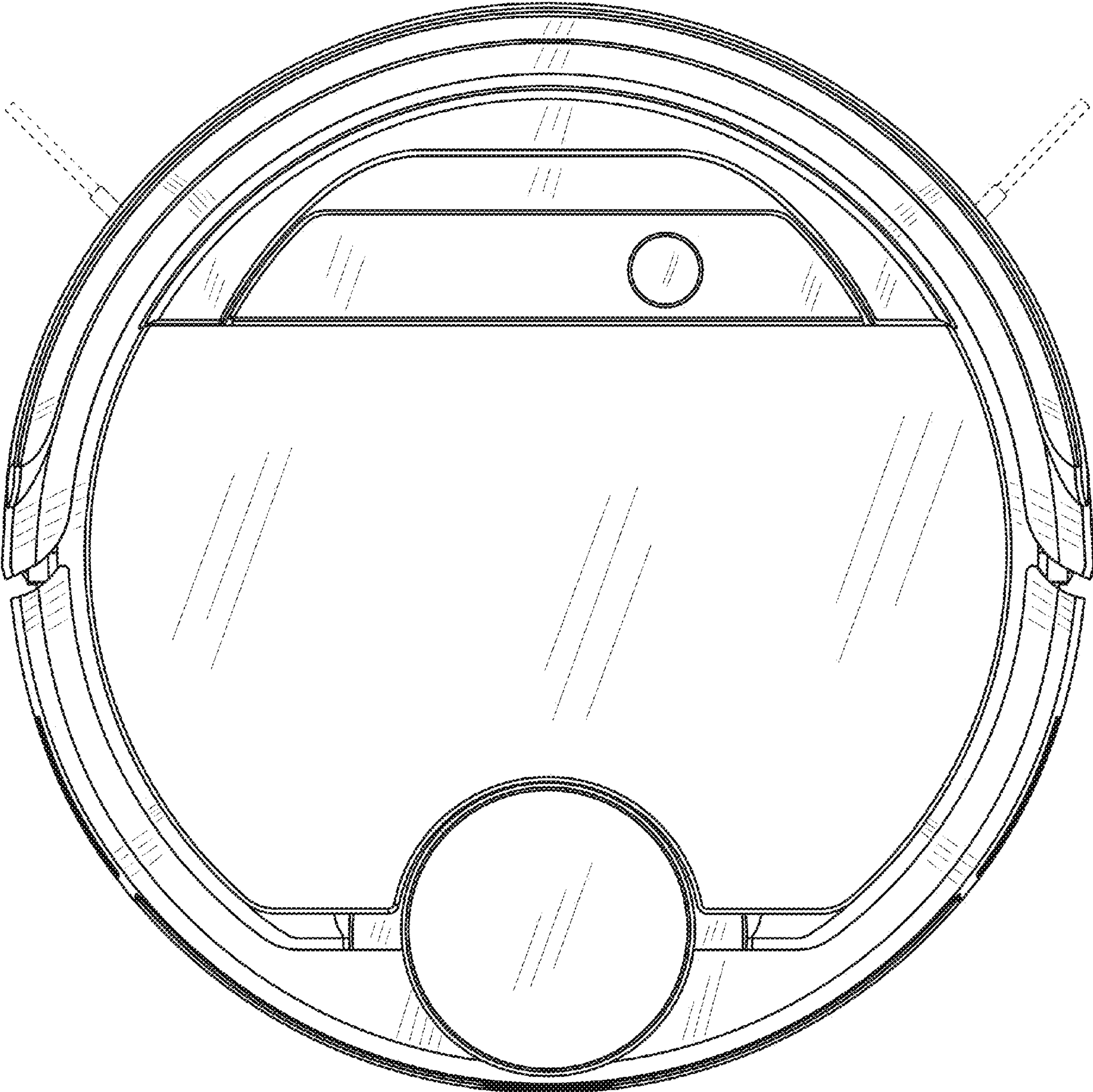


FIG. 2

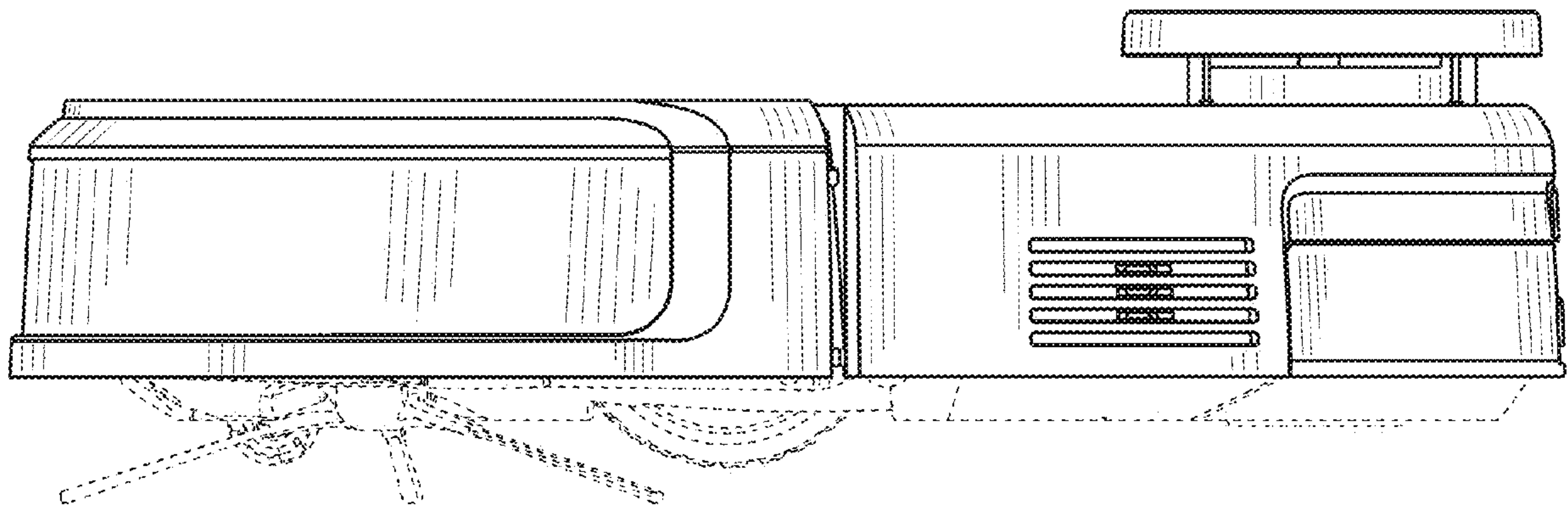


FIG. 3

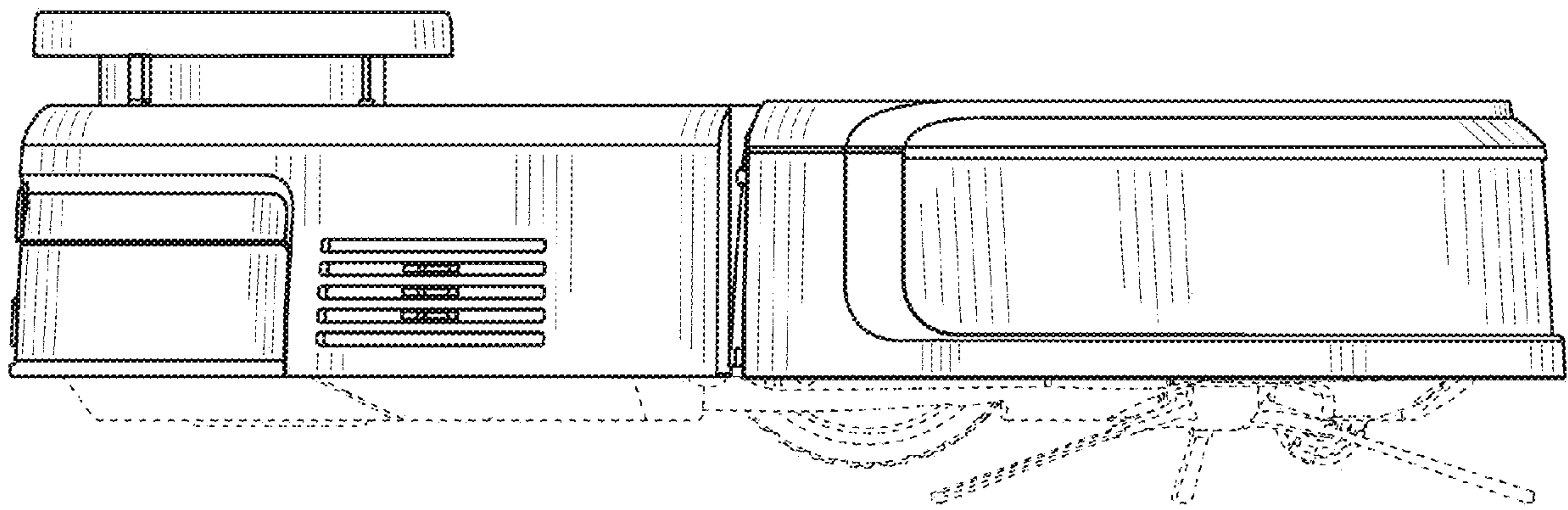


FIG.4

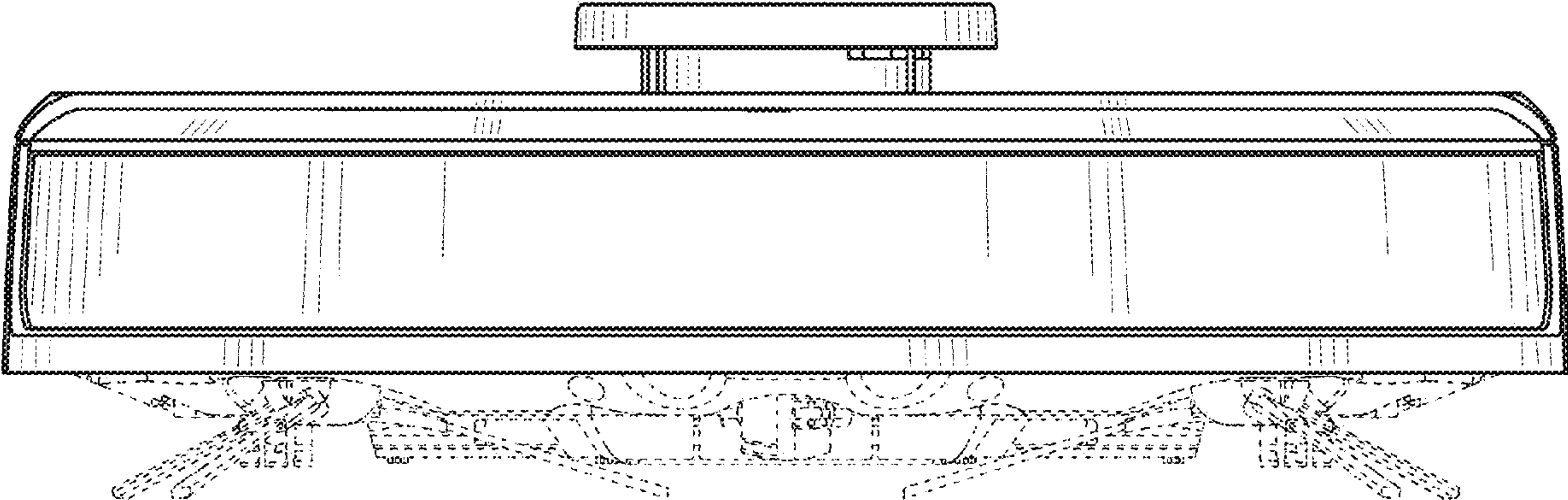


FIG.5

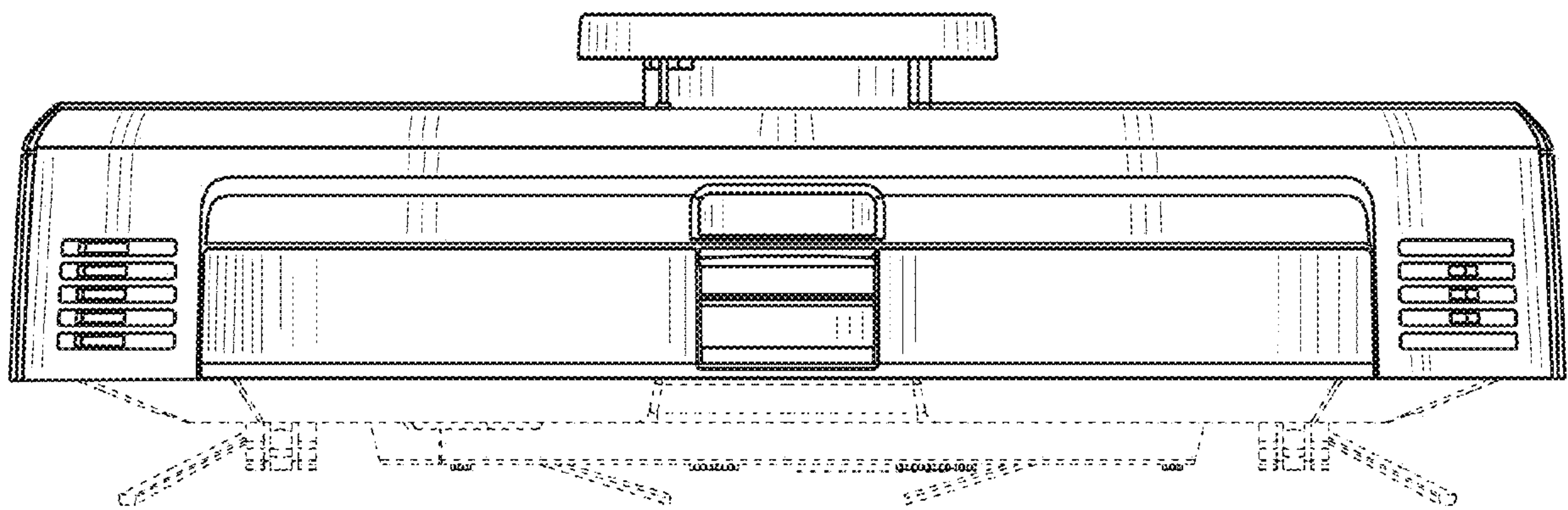


FIG.6