



US00D884296S

(12) **United States Design Patent** (10) **Patent No.:** **US D884,296 S**
Gick (45) **Date of Patent:** **** May 12, 2020**

(54) **DOG CHEW TOY**

(71) Applicant: **PetQwerks, Inc.**, Irvine, CA (US)

(72) Inventor: **James W. Gick**, Irvine, CA (US)

(**) Term: **15 Years**

(21) Appl. No.: **29/676,262**

(22) Filed: **Jan. 9, 2019**

(51) **LOC (12) Cl.** **30-99**

(52) **U.S. Cl.**
USPC **D30/160**

(58) **Field of Classification Search**
USPC D30/121, 160, 199; D21/681; D24/211,
D24/212, 214; 119/702, 706-712;
446/419, 490; 482/108
CPC A01K 15/00; A01K 15/02; A01K 15/025;
A01K 15/026

See application file for complete search history.

(56) **References Cited**

U.S. PATENT DOCUMENTS

D497,457 S	*	10/2004	Willinger	A01K 15/026
					D24/211
D626,706 S	*	11/2010	Ragonetti	D30/160
D796,125 S	*	8/2017	Gibson	D30/160
D809,219 S	*	1/2018	Wright	A01K 13/001
					D30/160
D825,116 S	*	8/2018	Wills	D30/160
D839,497 S	*	1/2019	Steinkraus	D30/160
D842,556 S	*	3/2019	Gutierrez	D30/160
D849,338 S	*	5/2019	Becattini, Jr.	D30/160
D858,909 S	*	9/2019	SteinKraus	D30/160
D864,495 S	*	10/2019	Katav	D30/121

OTHER PUBLICATIONS

“Champion Chew” posted Jan. 15, 2016 [online],[retrieved Nov. 11, 2019], from internet: <https://www.amazon.com/Chompion-Chew->

Heavyweight-Assorted-Colors/product-reviews/B0002DJWS6/ref=cm_cr_arp_d_viewopt_srt?ie=UTF8&reviewerType=all_reviews&sortBy=helpful&pageNumber=1.*

“Dog Chew Toy Spiky Dumbbell” posted date not available [online],[retrieved Nov. 11, 2019], from internet:https://www.amazon.com/Rubber-Chew-Best-Pet-Supplies/dp/B07KD65CFY/ref=sr_1_40?keywords=dog+chew+treat+dumbbell&qid=1573519239&sr=8-40.*

Nylabone website. “Flavor Frenzy Power Chew Fried Chicken Barbell”, screen shot taken from <https://www.nylabone.com/products/product-type/chew-toys/power-chew/flavor-frenzy-power-chew-fried-chicken-barbell> on Jun. 5, 2019.

* cited by examiner

Primary Examiner — Sandra S Snapp

Assistant Examiner — Mehri F Bajoul

(74) *Attorney, Agent, or Firm* — Manning & Kass Ellrod Ramirez Trester LLP; Ronald J. Tong

(57) **CLAIM**

The ornamental design for a dog chew toy, as shown and described.

DESCRIPTION

FIG. 1 is a perspective view of a dog chew toy according to the present disclosure.

FIG. 2 is a bottom plan view of the dog chew toy according to the present disclosure.

FIG. 3 is a top plan view of the dog chew toy according to the present disclosure.

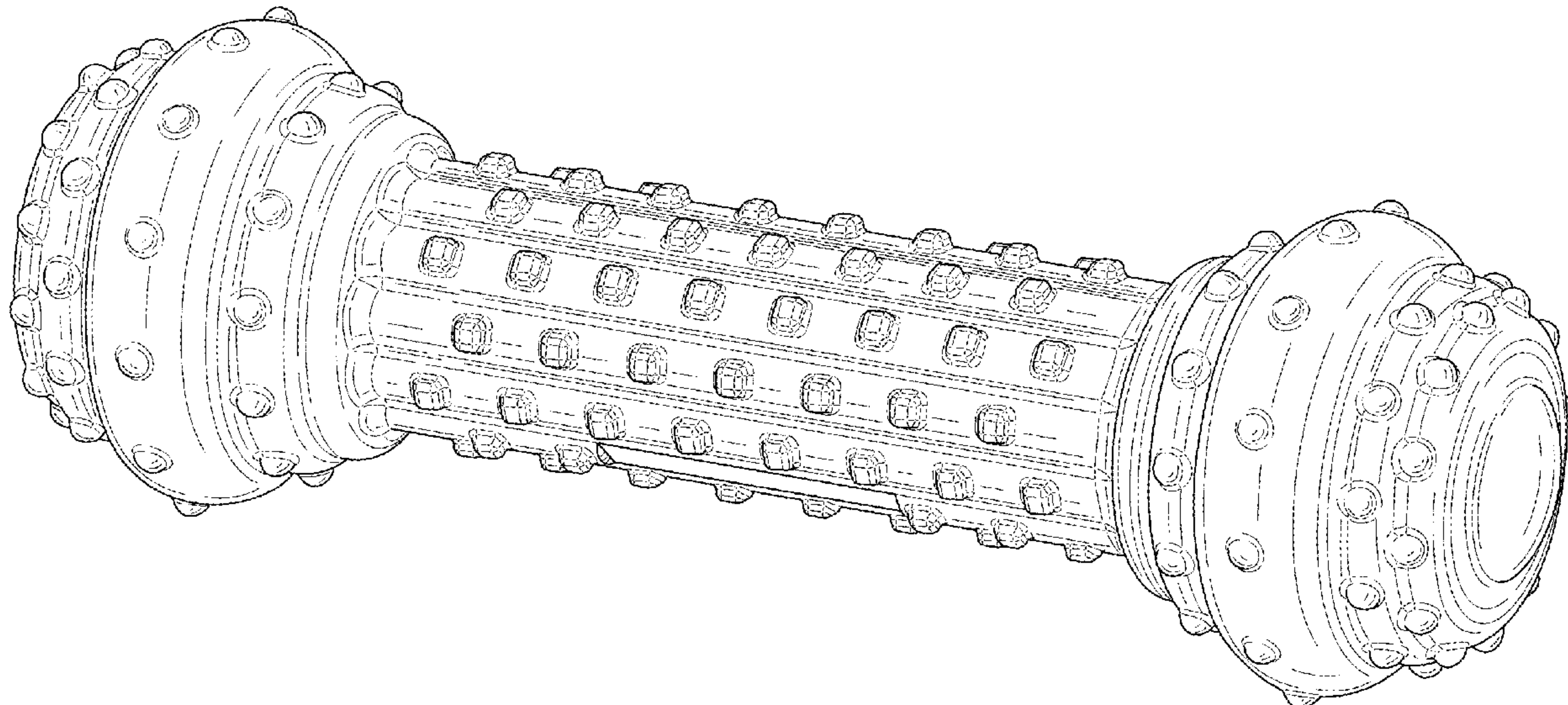
FIG. 4 is a right side view of the dog chew toy according to the present disclosure.

FIG. 5 is a left side view of the dog chew toy according to the present disclosure.

FIG. 6 is a front view of the dog chew toy according to the present disclosure; and,

FIG. 7 is a rear view of the dog chew toy according to the present disclosure.

1 Claim, 6 Drawing Sheets



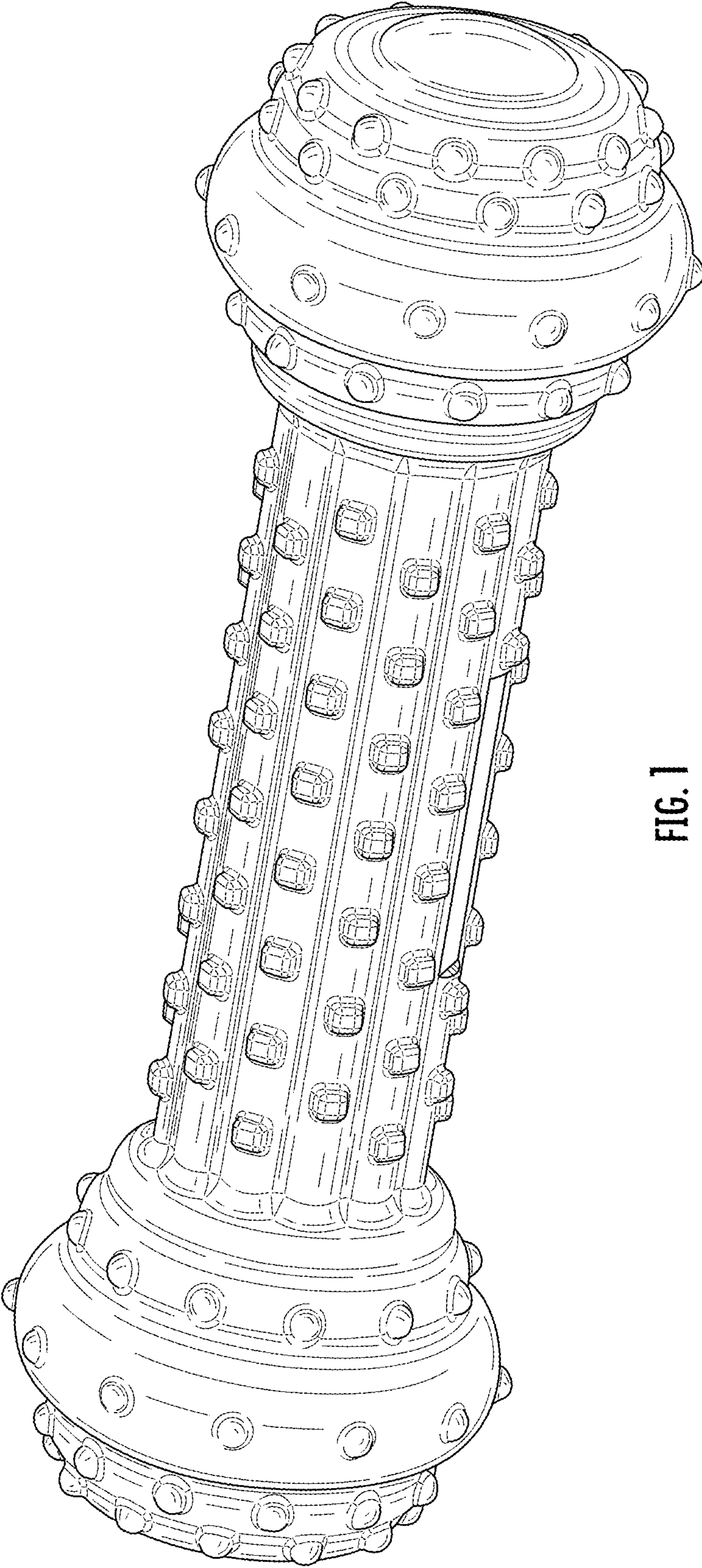


FIG. 1

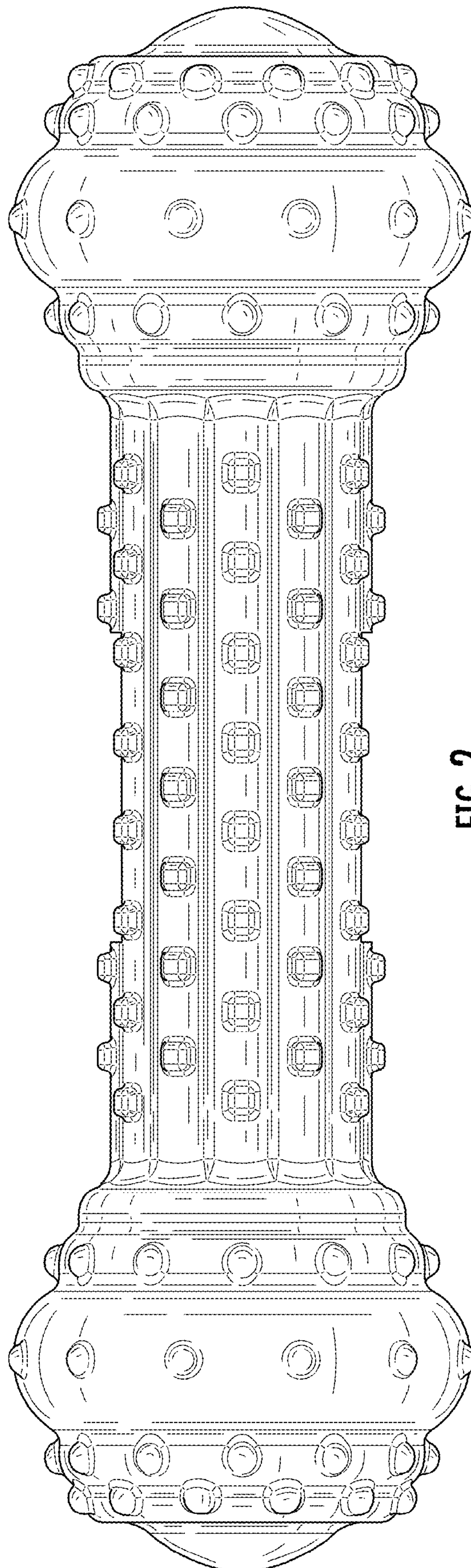


FIG. 2

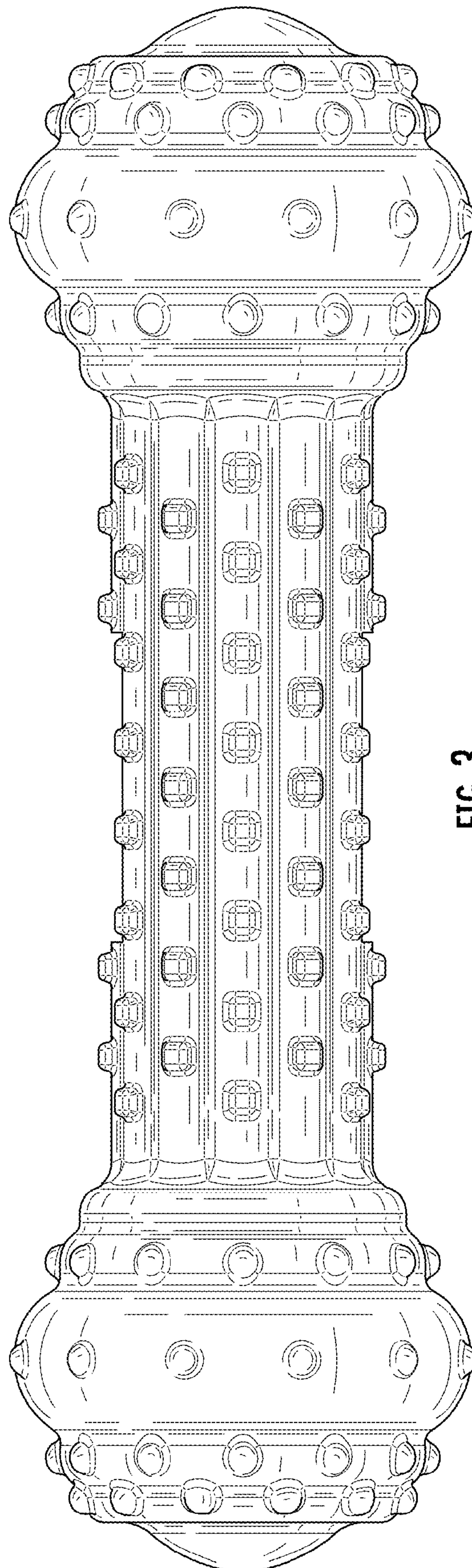


FIG. 3

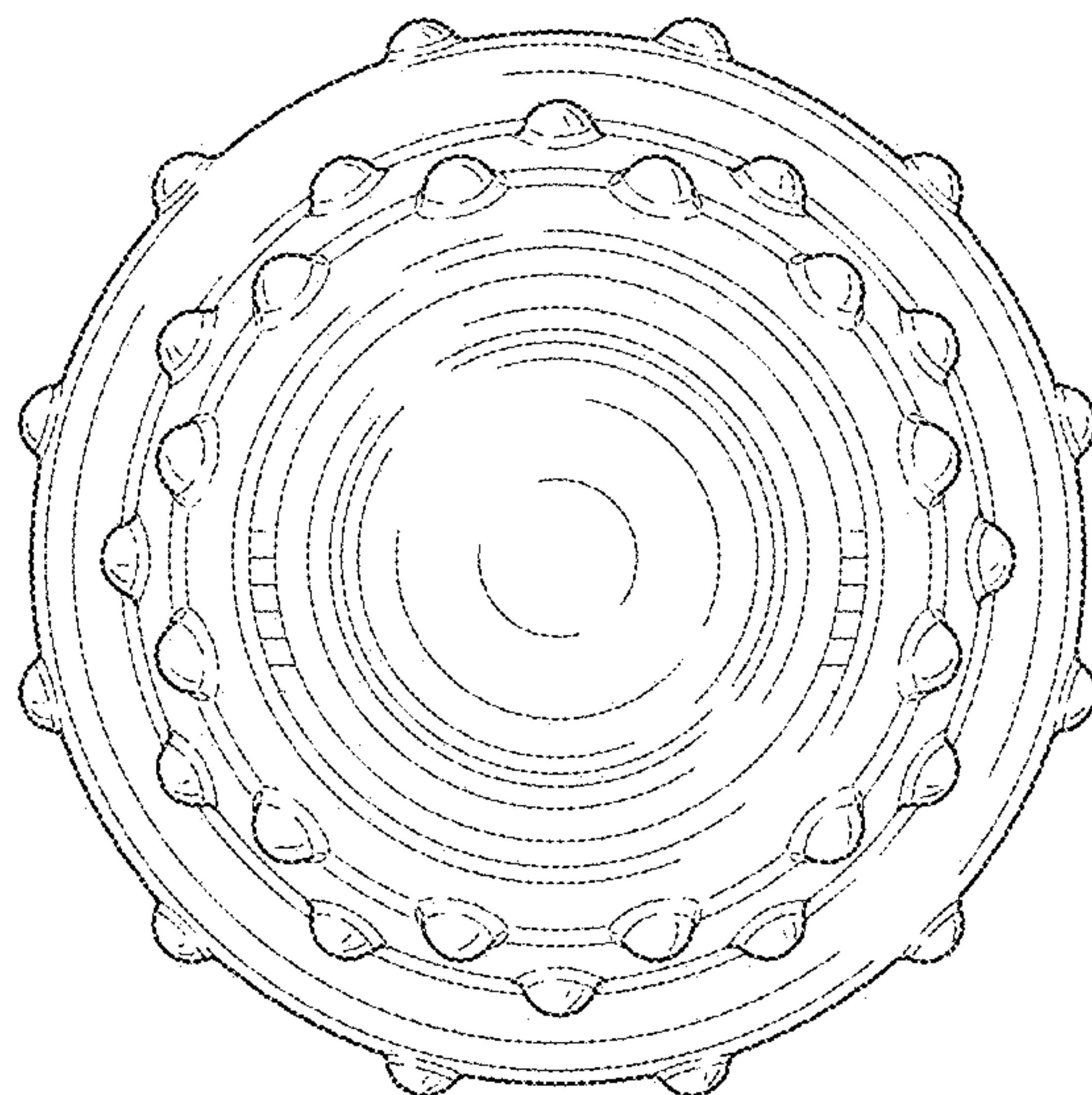


FIG. 4

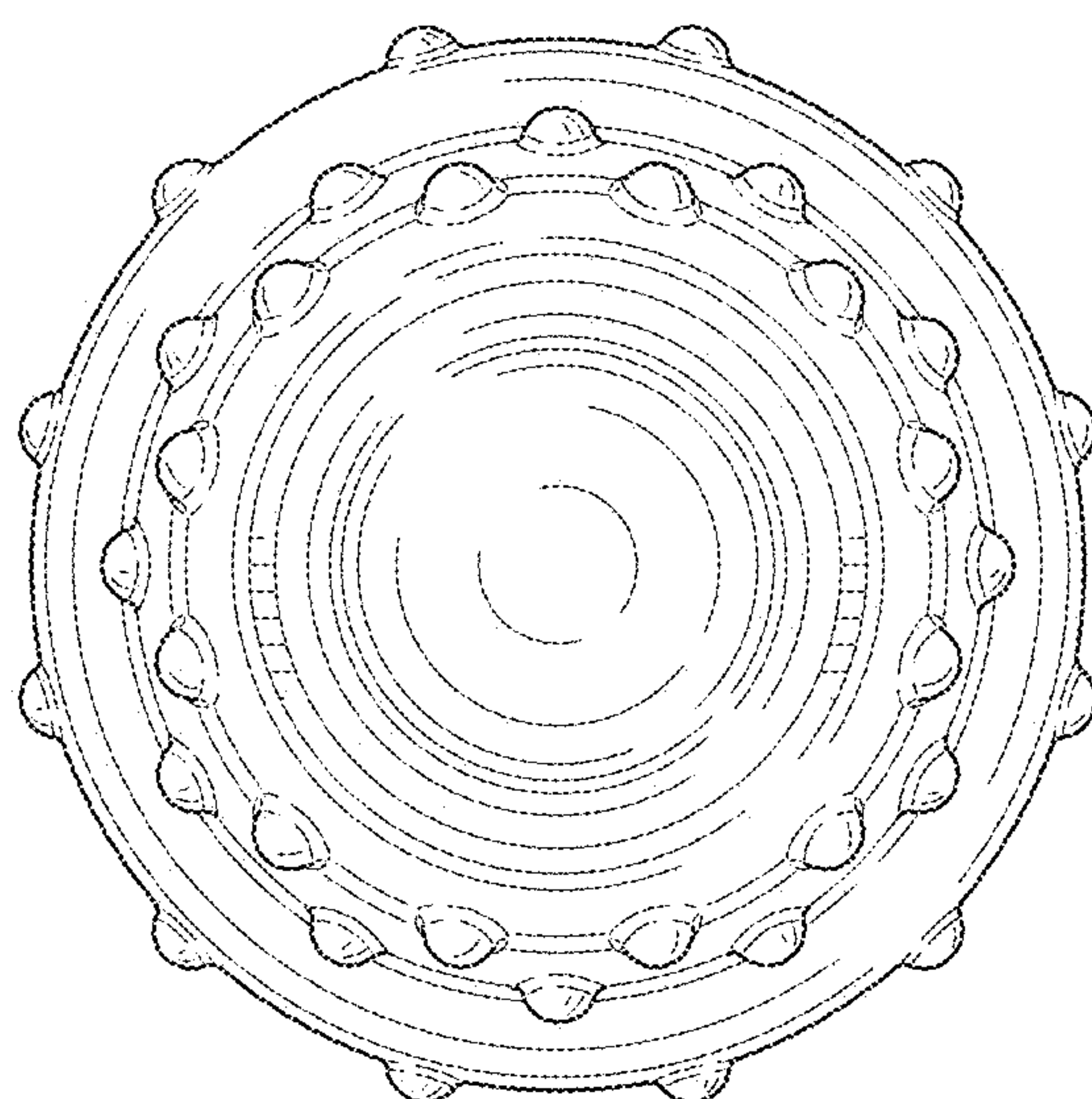


FIG. 5

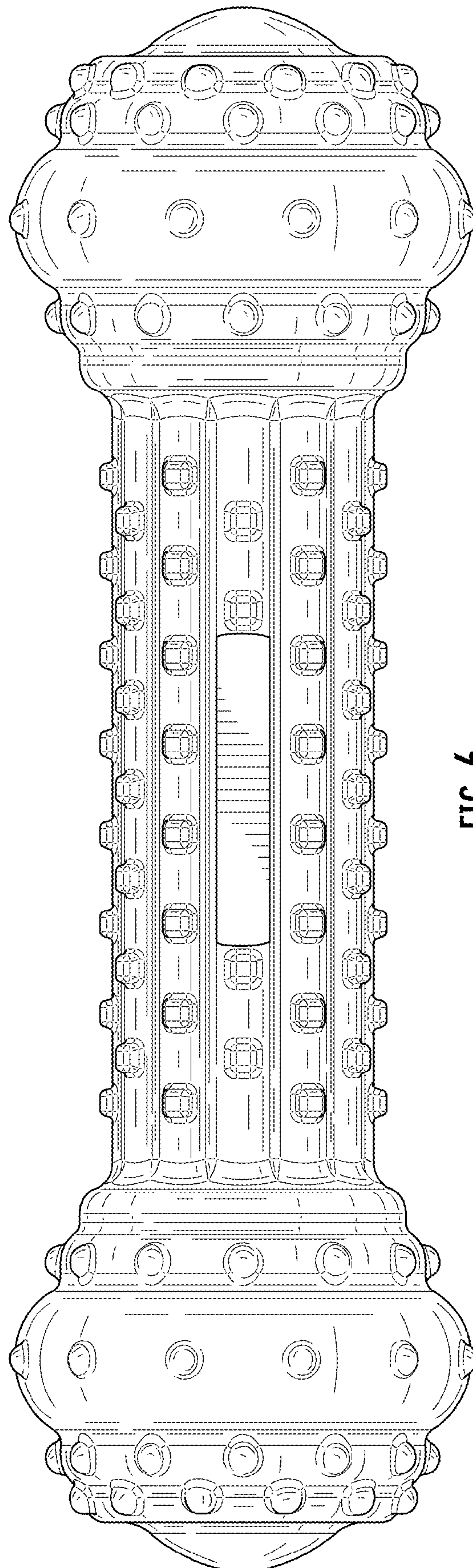


FIG. 6

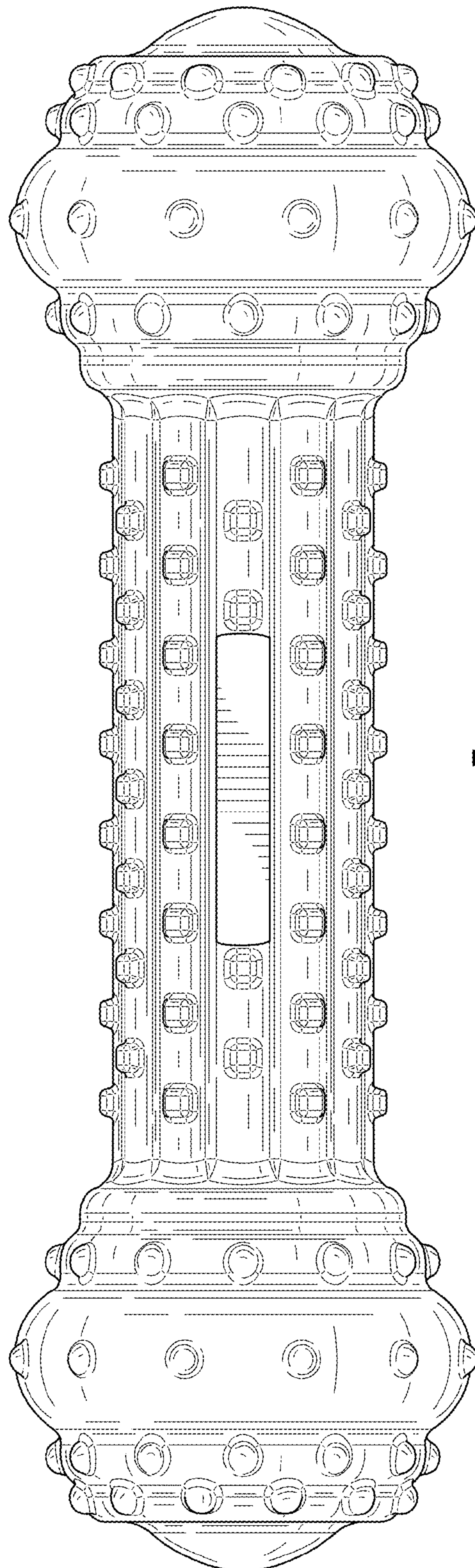


FIG. 7