



US00D884293S

(12) **United States Design Patent**
Yan et al.

(10) **Patent No.:** **US D884,293 S**

(45) **Date of Patent:** **** May 12, 2020**

(54) **PET COMB**

(71) Applicant: **Suzhou Shengkang Plastic Electric Co., Ltd., Suzhou (CN)**

(72) Inventors: **Yongkang Yan, Suzhou (CN); Changzhou Yan, Suzhou (CN)**

(73) Assignee: **Suzhou Shengkang Plastic Electric Co., Ltd., Suzhou (CN)**

(**) Term: **15 Years**

(21) Appl. No.: **29/695,089**

(22) Filed: **Jun. 14, 2019**

(30) **Foreign Application Priority Data**

Apr. 8, 2019 (CN) 2019 3 0155820

(51) **LOC (12) Cl.** **30-99**

(52) **U.S. Cl.**
USPC **D30/158; D30/159; D4/117**

(58) **Field of Classification Search**
USPC D30/158-159, 199; D4/104-108, 117, D4/118, 121, 130-135, 138, 199; D28/10, 16, 22-34, 44, 46-48, 63, 74, D28/99; 119/86, 600, 604-606, 611-620, 119/625, 628-633; 132/219
CPC A01K 13/00; A01K 13/002; A01K 13/001; A45D 24/00; A46B 9/023; B26B 19/24
See application file for complete search history.

(56) **References Cited**

U.S. PATENT DOCUMENTS

D382,083 S * 8/1997 Skelton D28/7
D411,048 S * 6/1999 Pinon D4/121
D453,420 S * 2/2002 Offer D4/132
D476,160 S * 6/2003 Choi D4/121
D508,299 S * 8/2005 Dunn D30/158
D509,032 S * 8/2005 Dunn D30/158

D616,649 S * 6/2010 Lin D30/158
D640,874 S * 7/2011 Huang D4/138
8,595,885 B1 * 12/2013 Weinstein A46B 9/023
119/612
D768,389 S * 10/2016 Rosenzweig D4/114
D795,595 S * 8/2017 Exley D4/121
D796,210 S * 9/2017 Hu D28/25
D798,000 S * 9/2017 Knoll D30/159
D803,578 S * 11/2017 Morton D4/138
9,814,214 B1 * 11/2017 Murphy A01K 13/002
D823,006 S * 7/2018 Kim D4/136
D840,608 S * 2/2019 Snead, Sr. D30/159
D859,849 S * 9/2019 Sun D4/134

(Continued)

FOREIGN PATENT DOCUMENTS

CA 2502126 A1 * 9/2005 A46B 3/20
GB 2412302 A * 9/2005 A46B 3/023

Primary Examiner — Sandra S Snapp

Assistant Examiner — Mehri F Bajoul

(74) *Attorney, Agent, or Firm* — Wayne & Ken, LLC;
Tony Hom

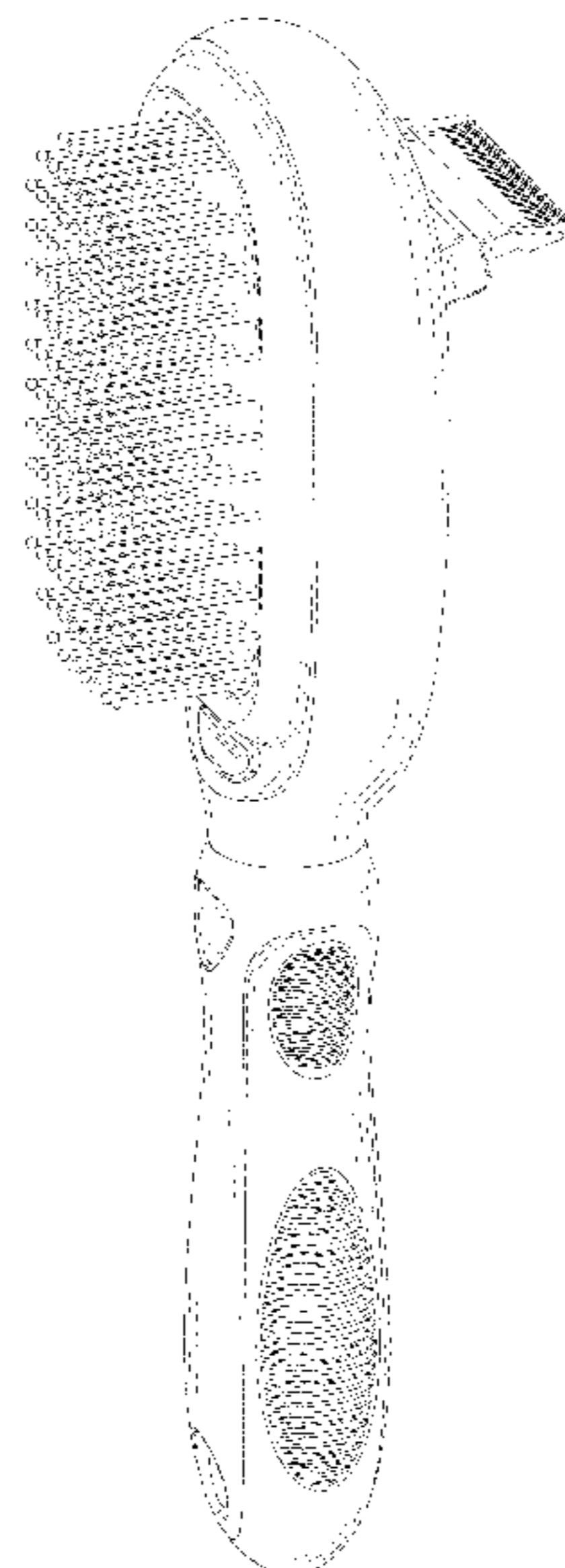
(57) **CLAIM**

The ornamental design for a pet comb, as shown and described.

DESCRIPTION

FIG. 1 is a perspective view of a pet comb in an open state showing our new design;
FIG. 2 is another perspective view thereof;
FIG. 3 is the front elevational view of FIG. 1;
FIG. 4 is the back elevational view thereof;
FIG. 5 is the left side elevational view thereof;
FIG. 6 is the right side elevational view thereof;
FIG. 7 is the top plan view thereof; and,
FIG. 8 is the bottom plan view thereof.
The broken lines shown in the drawings depict portions of the pet comb that form no part of the claimed design.

1 Claim, 8 Drawing Sheets



(56)

References Cited

U.S. PATENT DOCUMENTS

2006/0000423 A1* 1/2006 Morosin A01K 13/002
119/600
2017/0367468 A1* 12/2017 Accetura, Jr. A46B 5/002

* cited by examiner

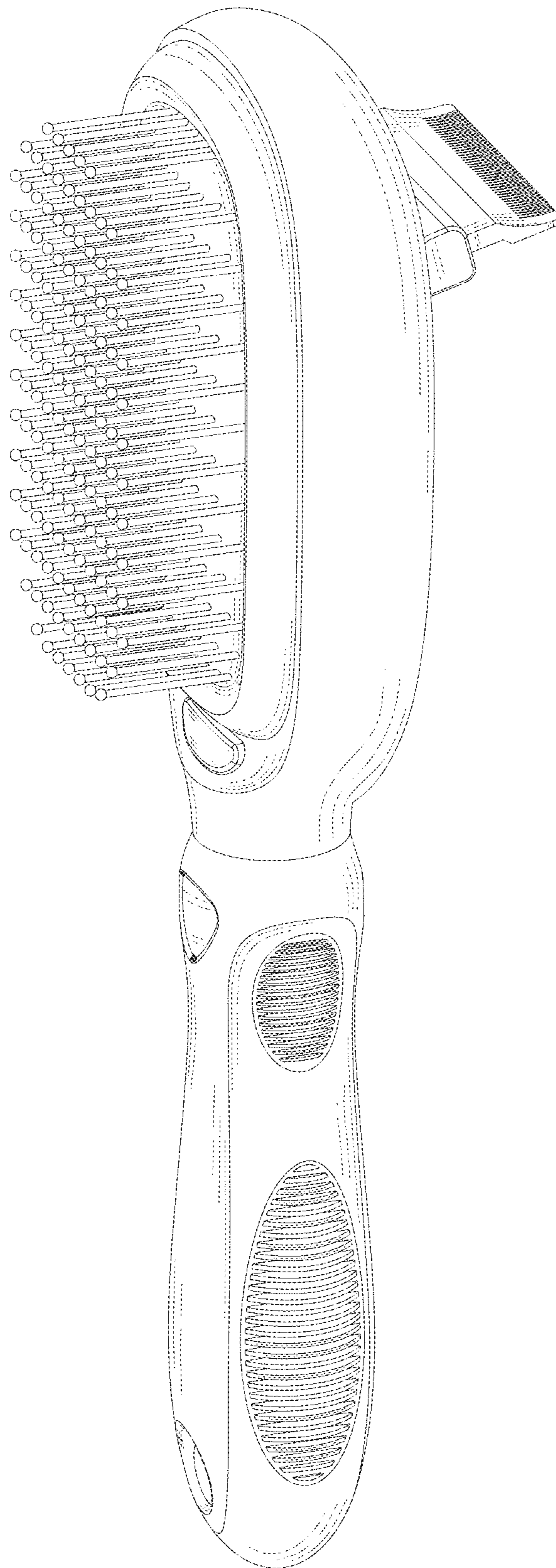


FIG. 1

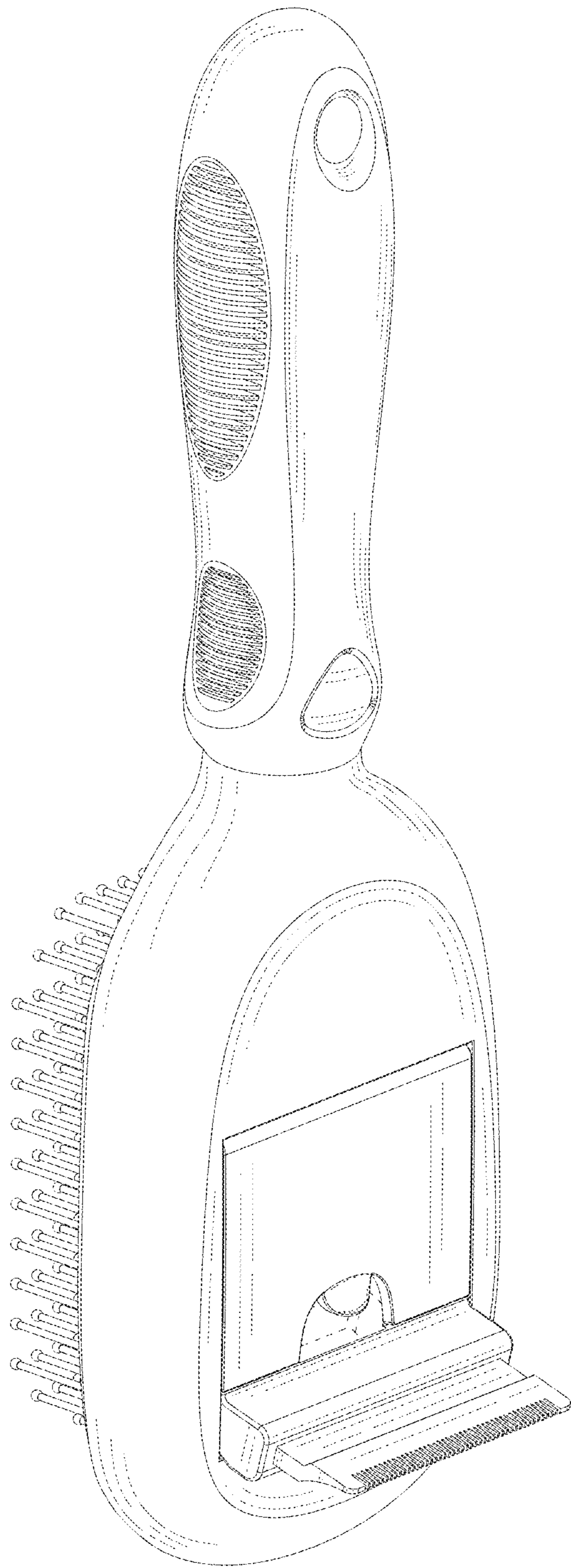


FIG. 2

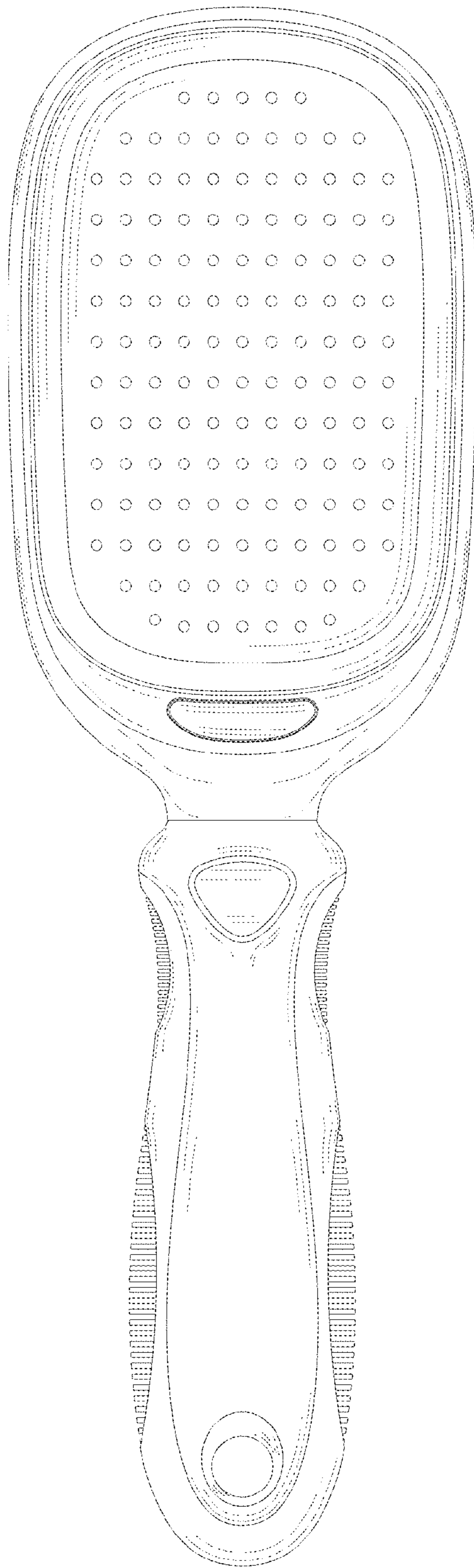


FIG. 3

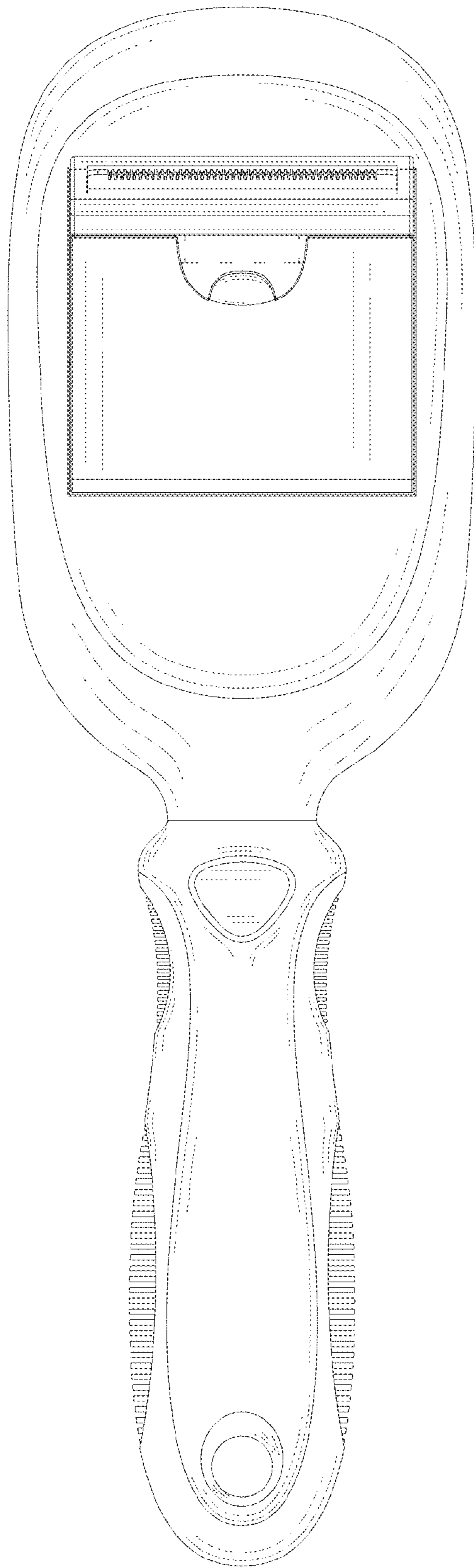


FIG. 4

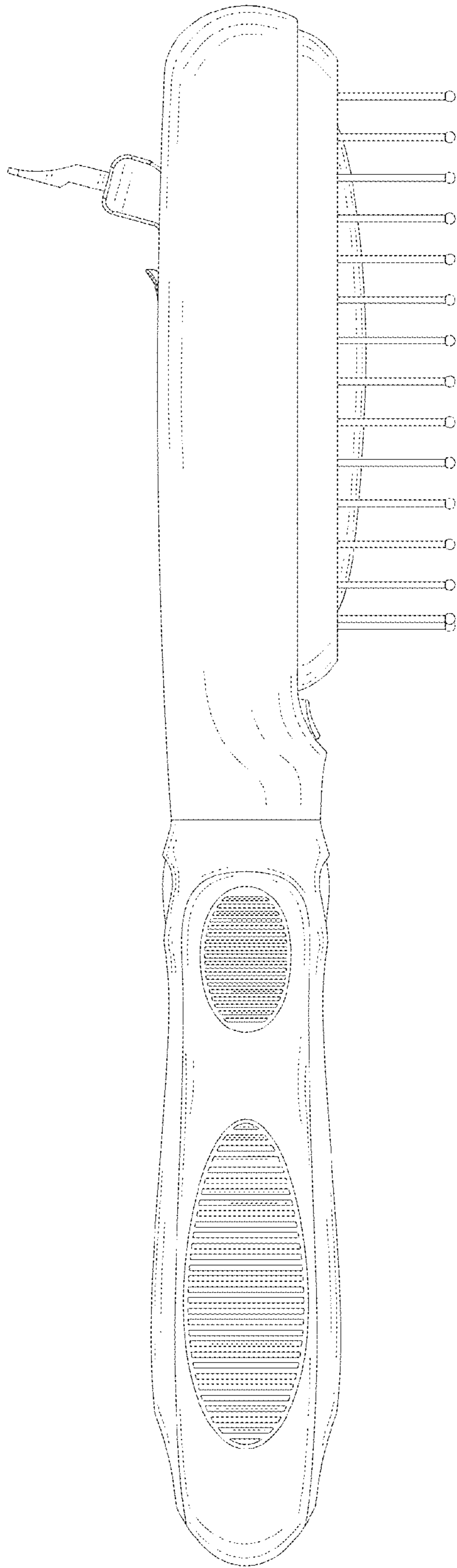


FIG. 5

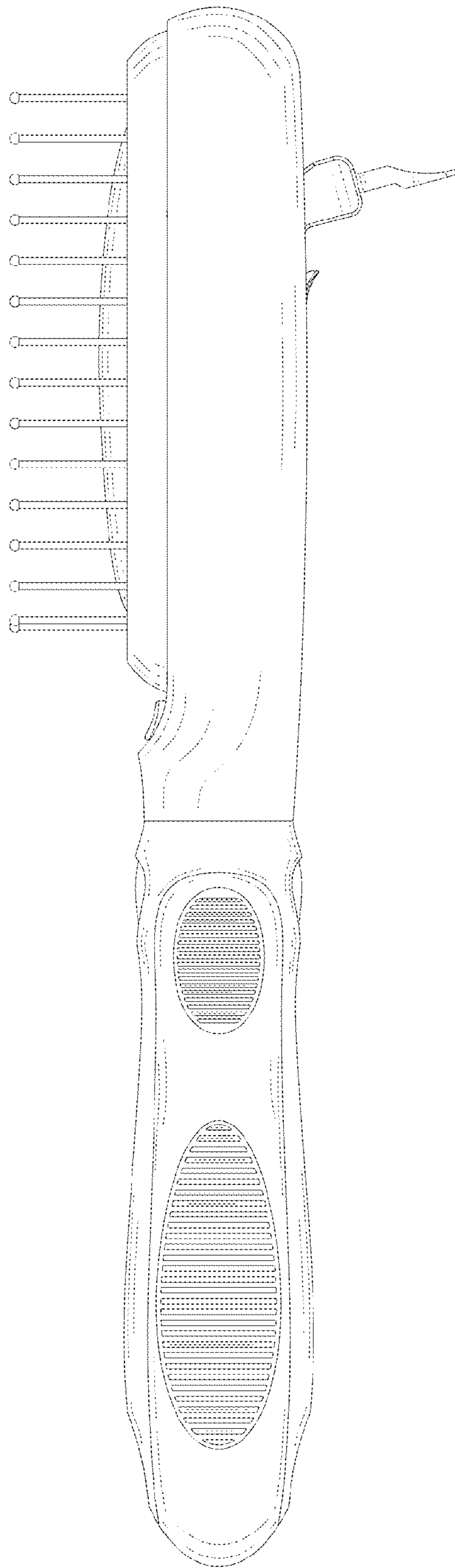


FIG. 6

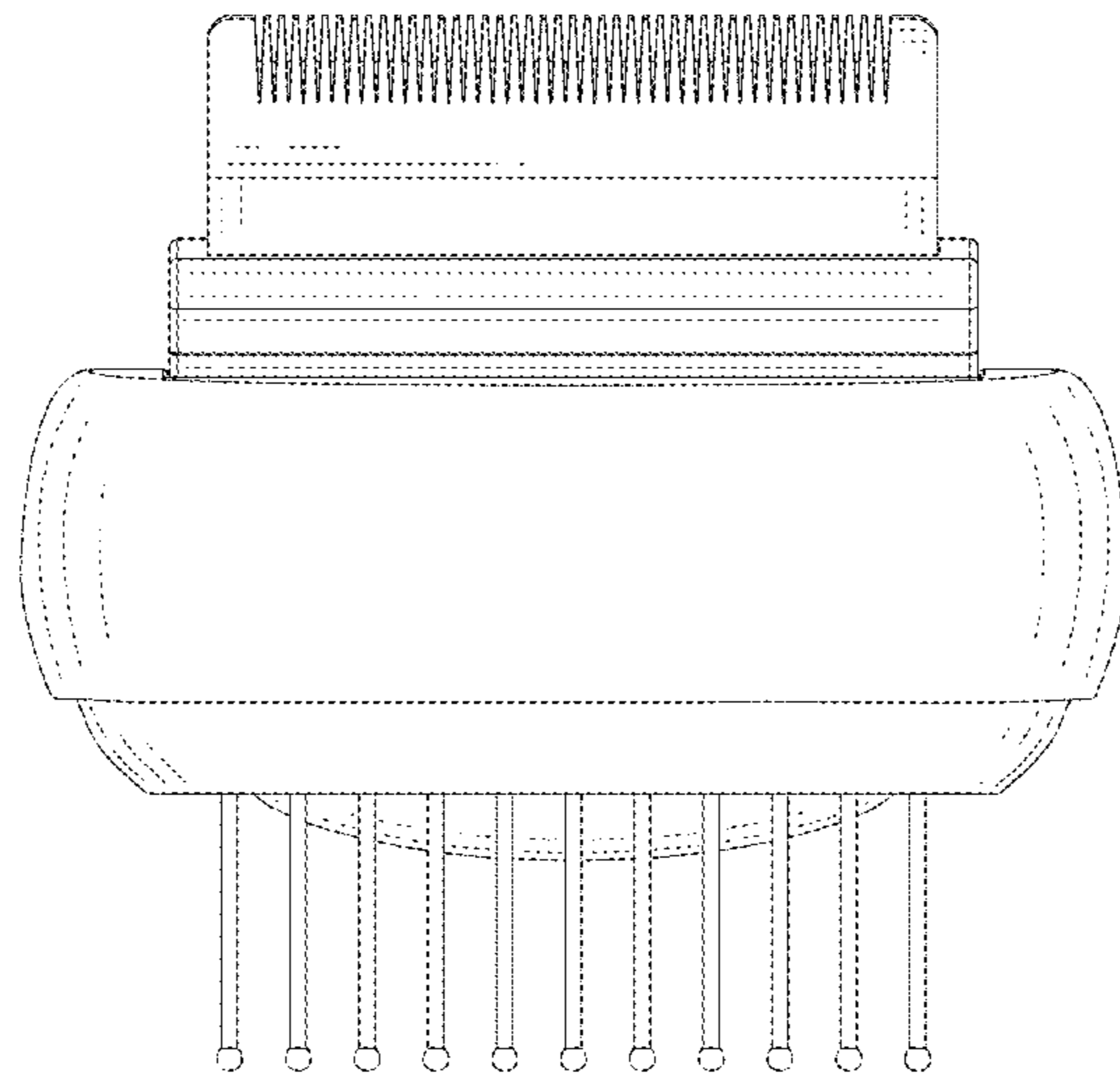


FIG. 7

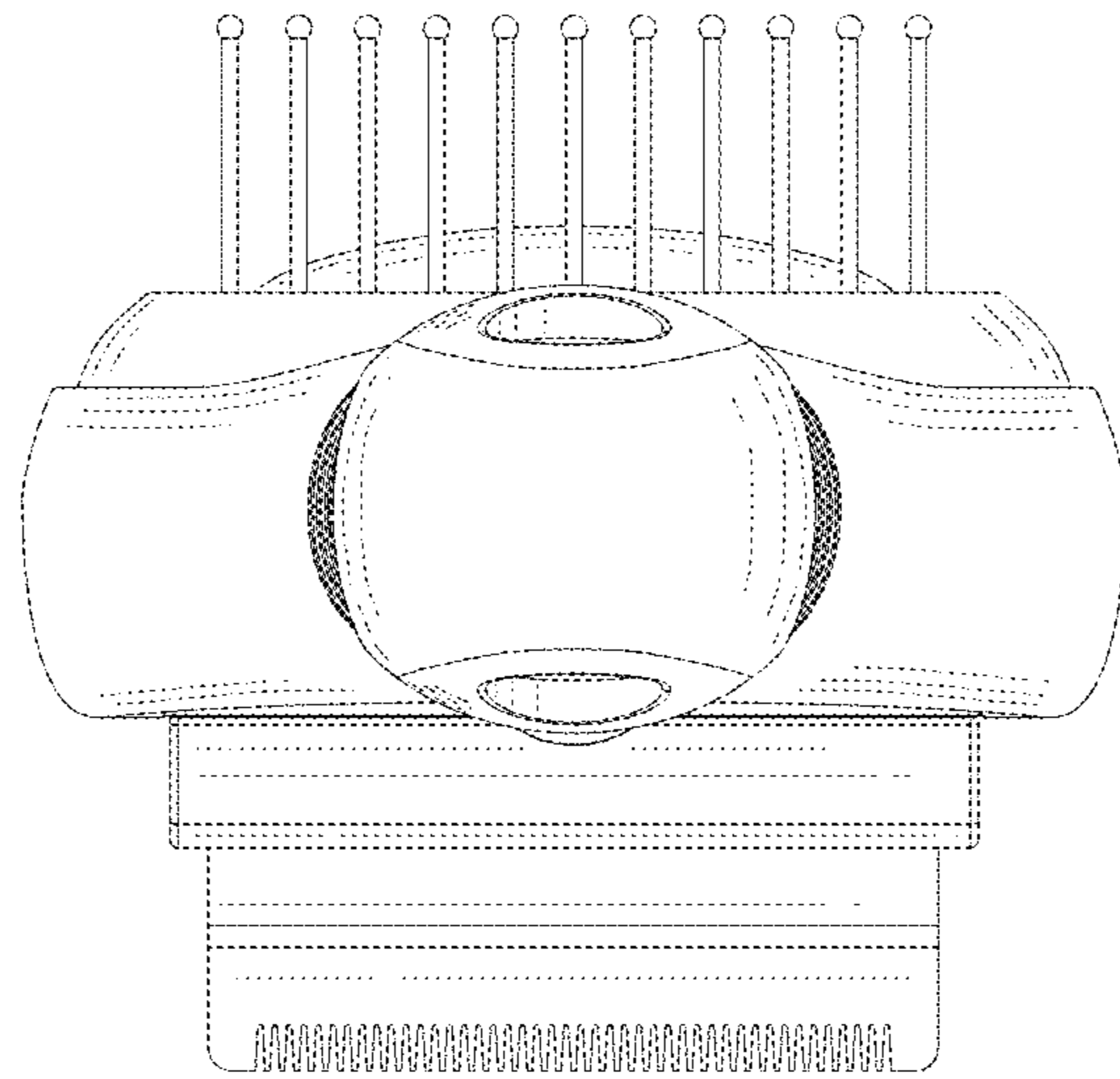


FIG. 8