



US00D884288S

(12) **United States Design Patent** (10) **Patent No.:** **US D884,288 S**  
**O'Donnell et al.** (45) **Date of Patent:** **\*\* May 12, 2020**

(54) **ANIMAL FEEDING APPARATUS**  
 (71) Applicant: **Curio Holding Company**, Philadelphia, PA (US)  
 (72) Inventors: **Dennis P. O'Donnell**, Philadelphia, PA (US); **Eric Griffin**, Philadelphia, PA (US); **Keith Hatton**, Philadelphia, PA (US); **John Combs**, Philadelphia, PA (US); **Kurt Swanson**, Philadelphia, PA (US); **Devin Sidell**, Philadelphia, PA (US); **John James Stone**, Golden, CO (US)

CPC .... A01K 5/0233; A01K 5/0241; A01K 5/025; A01K 5/0275; A01K 5/0291; A01K 5/0114; A01K 5/01; A01K 5/0121; A01K 5/0135; A01K 5/0142; A01K 5/0128; A01K 15/025; A01K 7/005; A01K 7/00; A01K 7/02; A01K 27/004; A01K 39/014; A01K 39/00; A01K 39/02; A01K 39/0113; A47J 43/0727; A01M 29/34; B29C 65/48; B65D 81/36

See application file for complete search history.

(73) Assignee: **CURIO HOLDING COMPANY**, Philadelphia, PA (US)  
 (\*\*) Term: **15 Years**  
 (21) Appl. No.: **29/694,169**  
 (22) Filed: **Jun. 7, 2019**

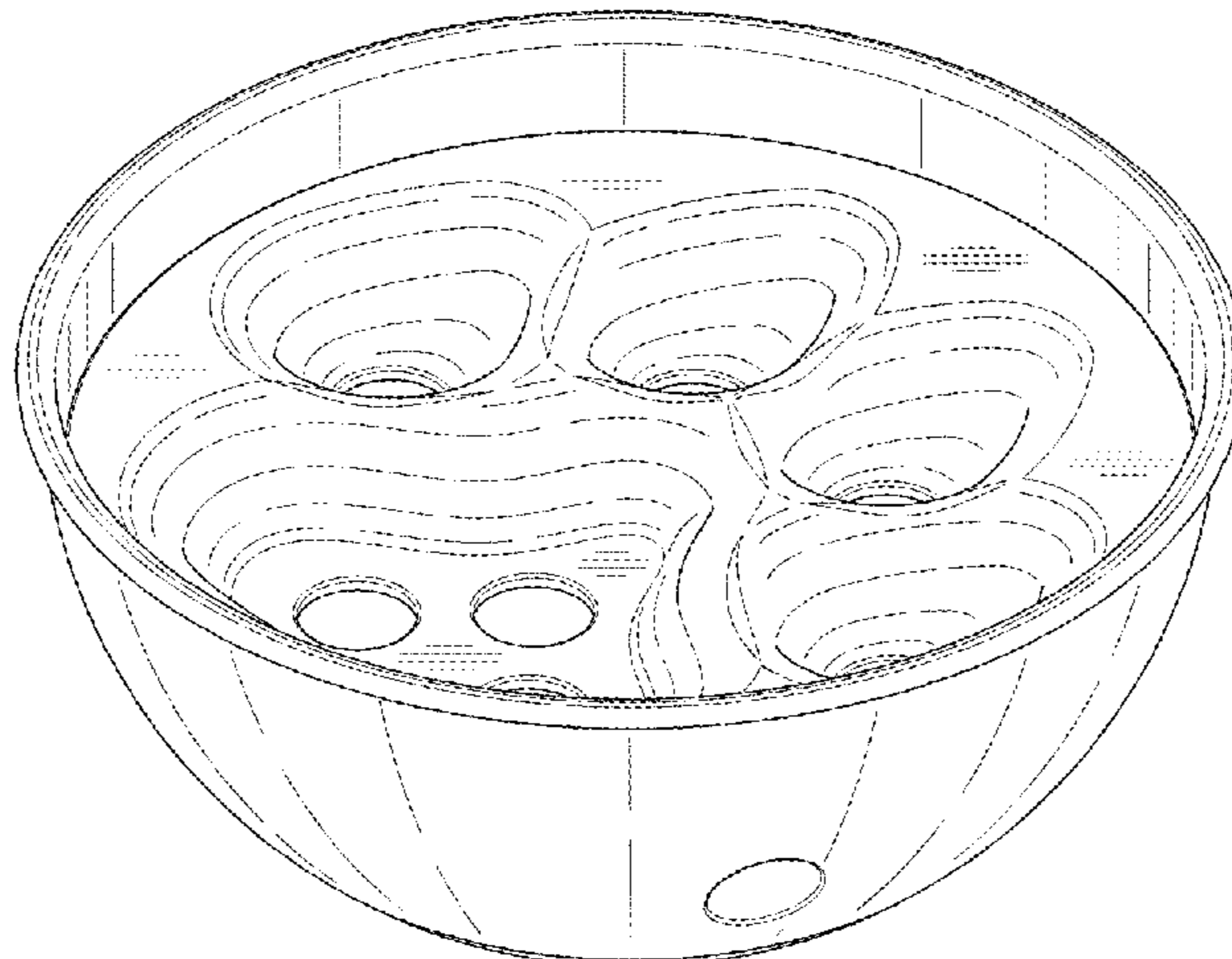
**Related U.S. Application Data**

(63) Continuation-in-part of application No. 29/686,080, filed on Apr. 2, 2019, now Pat. No. Des. 853,053, which is a continuation of application No. 15/267,348, filed on Sep. 16, 2016.  
 (51) **LOC (12) Cl.** ..... **30-03**  
 (52) **U.S. Cl.**  
 USPC ..... **D30/129**  
 (58) **Field of Classification Search**  
 USPC ..... D30/121, 122, 129-133, 160; 119/61.5, 119/51.01, 61.56, 51.03, 59, 62, 63, 51.5, 119/57.8, 74, 61.54, 61.55; 312/204; 248/151, 188; 108/156, 153.1-157; 220/23.87, 630, 737, 743, 9.4, 495.01, 220/574, 212, 255, 23.83; 206/515; D7/586, 543, 550.1, 587, 505, 584, 545, D7/500, 553.1-553.8, 546, 555, 556, 504, D7/565, 562, 602; D9/429; 43/109; D22/122; 99/430, DIG. 15

(56) **References Cited**

U.S. PATENT DOCUMENTS

1,289,681	A	12/1918	Curtis	.....	A63F 7/044
					273/116
2,034,478	A *	3/1936	Levy	.....	A47G 23/06
					62/457.6
3,170,875	A *	2/1965	Swett	.....	A47J 43/24
					210/465
3,589,340	A *	6/1971	Beliles	.....	A01K 5/01
					119/61.54
D221,099	S	7/1971	Alparone	.....	D7/584
3,648,403	A	3/1972	Gommel	.....	A63F 9/0415
					119/707
D262,069	S	11/1981	Khider		
4,303,170	A	12/1981	Particci	.....	A47G 19/2261
					215/376
D296,020	S	5/1988	McCarroll		
4,752,147	A *	6/1988	Persi	.....	B05C 17/00
					401/123
D304,536	S	11/1989	Blaser	.....	D7/584
5,009,193	A *	4/1991	Gordon	.....	A01K 15/025
					119/707
5,169,023	A *	12/1992	Heiberg	.....	A47J 27/002
					220/574
D353,080	S *	12/1994	Cantereels	.....	D7/667
5,377,621	A *	1/1995	Camm	.....	A01K 5/0114
					119/61.54
D357,588	S *	4/1995	Fachinger	.....	D6/302
D360,304	S *	7/1995	Fachinger	.....	D6/302
5,791,287	A *	8/1998	Gruber	.....	A01K 7/005
					119/61.54
D424,758	S *	5/2000	Akopdjanov	.....	D30/129
6,098,571	A	8/2000	Axelrod et al.		
6,112,698	A *	9/2000	Zelinger	.....	A01K 5/0135
					119/61.54
6,167,841	B1	1/2001	Ho		
D440,736	S *	4/2001	Stafford	.....	D1/107





# US D884,288 S

D447,074 S *	8/2001	Chan .....	D10/104.1	D819,901 S *	6/2018	Bone .....	D30/199
6,341,578 B1 *	1/2002	Berube .....	A01K 1/0121	D821,039 S *	6/2018	Owens, III .....	D30/129
			119/162	D822,312 S *	7/2018	Williams .....	D1/107
6,349,671 B1	2/2002	Lewis .....	A01K 5/0291	D822,922 S *	7/2018	Wen .....	D30/199
			119/51.02	D824,602 S	7/2018	Danenberg et al.	
6,431,389 B1 *	8/2002	Jerstroem .....	A47J 36/02	D825,865 S *	8/2018	Abbey .....	D30/129
			220/574	D830,007 S	10/2018	Harris	
D490,577 S	5/2004	Steinbacher et al.		D832,529 S	10/2018	Elliott	
D492,539 S	7/2004	Henry .....	D7/357	D836,852 S	12/2018	Abbott	
6,945,195 B1 *	9/2005	Morrison .....	A01K 15/025	D853,053 S *	7/2019	O'Donnell .....	A01K 5/0114
			119/707				D30/129
7,207,291 B1 *	4/2007	Watts .....	A01K 5/0114	2003/0070956 A1 *	4/2003	Schiltz .....	B65D 1/36
			119/61.5				206/515
D553,305 S *	10/2007	Willinger .....	D30/133	2004/0200845 A1 *	10/2004	Watzke .....	B65D 1/24
D560,862 S *	1/2008	Knuth .....	D30/155				220/501
D561,411 S *	2/2008	Pipenur .....	D30/155	2005/0235919 A1 *	10/2005	Willinger .....	A01K 5/0114
D563,608 S	3/2008	Kitchen					119/61.5
D571,929 S *	6/2008	Palmer, III .....	D25/2	2005/0268862 A1 *	12/2005	Morrison .....	A01K 15/025
D576,735 S *	9/2008	Strickler .....	D23/261				119/707
7,441,514 B2 *	10/2008	Dana .....	A01K 5/0128	2006/0207993 A1 *	9/2006	Copeland .....	A47G 19/02
			119/61.5				220/574
D589,660 S *	3/2009	Tolentino-Swem .....	D30/153	2007/0199512 A1 *	8/2007	Ellis .....	A01K 7/005
D606,278 S *	12/2009	Kerr .....	D1/107				119/61.54
7,753,000 B1 *	7/2010	Turner .....	A01K 5/01	2009/0199774 A1 *	8/2009	Hamilton .....	A01K 5/01
			119/57				119/61.54
D622,028 S *	8/2010	Kerr .....	D1/107	2010/0077963 A1 *	4/2010	Lipscomb .....	A01K 5/0114
7,856,944 B1 *	12/2010	Stauffer .....	A01K 5/0114				119/54
			119/61.5	2011/0132269 A1 *	6/2011	Davidson .....	A45C 11/00
D636,944 S	4/2011	Anderson et al.					119/161
D640,564 S *	6/2011	Kerr .....	D9/607	2011/0169183 A1 *	7/2011	Axelrod .....	B29C 45/14778
D642,336 S *	7/2011	Desrosiers .....	D30/122				264/46.4
D648,904 S	11/2011	Tedaldi et al.		2011/0226187 A1 *	9/2011	Bertsch .....	A01K 5/0114
D650,147 S *	12/2011	Kerr .....	D1/106				119/61.55
8,083,090 B2 *	12/2011	Cocchiarella .....	A47G 19/02	2012/0017837 A1 *	1/2012	Crawford .....	A01K 5/01
			220/521				119/61.1
D656,280 S *	3/2012	St. Clair .....	D30/122	2012/0068396 A1 *	3/2012	Wirth, Jr. ....	B23Q 1/032
D659,296 S	5/2012	Anderson					269/289 R
8,230,808 B2 *	7/2012	Lai .....	A01K 5/0225	2012/0204799 A1 *	8/2012	Desrosiers .....	A01K 5/0114
			119/51.01				119/61.54
D665,000 S *	8/2012	Morelli .....	D15/90	2013/0104808 A1 *	5/2013	Rocker .....	A01K 5/0128
D665,133 S *	8/2012	Haverstock .....	D30/129				119/61.55
D665,264 S *	8/2012	Kerr .....	D9/607	2013/0228128 A1 *	9/2013	Schehr .....	A01K 5/01
D667,034 S *	9/2012	Wirth, Jr. ....	D15/140				119/61.5
8,342,128 B2 *	1/2013	Rocker .....	A01K 5/0128	2014/0158054 A1 *	6/2014	Clarke .....	A01K 5/0114
			119/61.2				119/51.01
D676,202 S *	2/2013	Hansen .....	D30/121	2017/0127647 A1 *	5/2017	Owens, III .....	A01K 5/0114
D676,619 S *	2/2013	Hansen .....	D30/121	2017/0127648 A1 *	5/2017	O'Donnell .....	A01K 15/025
8,381,684 B2	2/2013	Crawford					
D684,733 S *	6/2013	Altoon .....	D30/161				
D685,565 S *	7/2013	Bhandula .....	D99/1				
D687,616 S *	8/2013	Smith .....	D1/107				
D689,328 S	9/2013	Hollinger .....	D7/354				
D693,862 S	11/2013	Wirth, Jr. ....	D15/140				
D697,687 S *	1/2014	Kerr .....	D1/107				
D697,691 S *	1/2014	Kerr .....	D1/199				
D697,692 S *	1/2014	Kerr .....	D1/106				
8,631,763 B2 *	1/2014	Lipscomb .....	A01K 5/0142				
			119/54				
D699,009 S	2/2014	Hansen et al.					
8,640,647 B2 *	2/2014	Dotterer .....	A01K 15/025				
			119/51.01				
8,651,055 B2 *	2/2014	Dreger .....	A01K 5/0135				
			119/61.5				
D701,732 S *	4/2014	Ehrenhaus .....	D7/539				
8,869,748 B2	10/2014	Yin .....	A01K 15/021				
			119/51.02				
D721,860 S *	1/2015	Parks .....	D30/129				
D725,317 S *	3/2015	Avalos Sartorio .....	D30/121				
D741,024 S	10/2015	Liu .....	D30/129				
D757,374 S	5/2016	Breit .....	D30/133				
D775,769 S *	1/2017	Trottier .....	D30/122				
D776,368 S	1/2017	Avalos Sartorio .....	D30/118				
9,591,832 B2	3/2017	Price .....	A01K 15/025				
D793,630 S	8/2017	Bates .....	D30/121				
9,737,049 B2	8/2017	Trottier .....	A01K 5/02				
D805,700 S *	12/2017	Owens, III .....	D30/129				
9,872,479 B2 *	1/2018	Tharp .....	A01K 5/0114				
D819,278 S	5/2018	Watanabe .....	D30/129				

## OTHER PUBLICATIONS

Huag, Lore I., *Texas Veterinary Behavior Services—Environmental Enrichment for Dogs*, DVM, 2006, pp. 1-2.

\* cited by examiner

*Primary Examiner* — Susan Moon Lee  
(74) *Attorney, Agent, or Firm* — The Belles Group, P.C.

## (57) CLAIM

The ornamental design for an animal feeding apparatus, as shown and described.

## DESCRIPTION

FIG. 1 is a front perspective view of an animal feeding apparatus according to a first embodiment of the new design; FIG. 2 is a front view thereof; FIG. 3 is a rear view thereof; FIG. 4 is a left side view thereof; FIG. 5 is a right side view thereof; FIG. 6 is a top view thereof; FIG. 7 is a bottom view thereof;

FIG. 8 is a front perspective view of an animal feeding apparatus according to a second embodiment of the new design;

FIG. 9 is a front view thereof;

FIG. 10 is a rear view thereof;

FIG. 11 is a left side view thereof,

FIG. 12 is a right side view thereof;

FIG. 13 is a top view thereof;

FIG. 14 is a bottom view thereof;

FIG. 15 is a front perspective view of an animal feeding apparatus according to a third embodiment of the new design;

FIG. 16 is a front view thereof;

FIG. 17 is a rear view thereof;

FIG. 18 is a left side view thereof,

FIG. 19 is a right side view thereof;

FIG. 20 is a top view thereof;

FIG. 21 is a bottom view thereof;

FIG. 22 is a front perspective view of an animal feeding apparatus according to a fourth embodiment of the new design;

FIG. 23 is a front view thereof;

FIG. 24 is a rear view thereof;

FIG. 25 is a left side view thereof,

FIG. 26 is a right side view thereof;

FIG. 27 is a top view thereof; and,

FIG. 28 is a bottom view thereof.

The broken lines illustrating portions of the animal feeding apparatus form no part of the claimed design. The dot-dash broken lines define the bounds of the claimed design and form no part thereof.

**1 Claim, 28 Drawing Sheets**

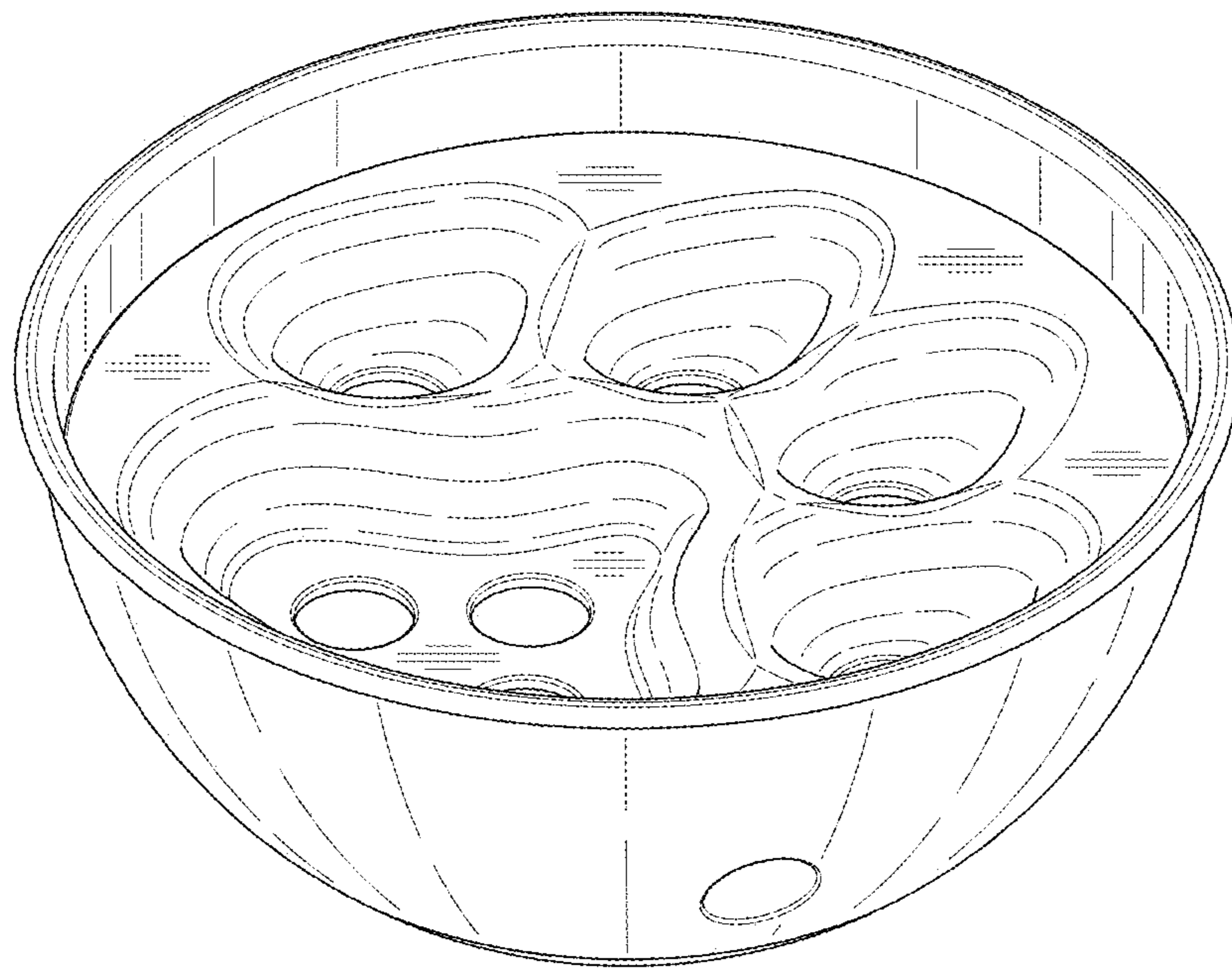


FIG. 1

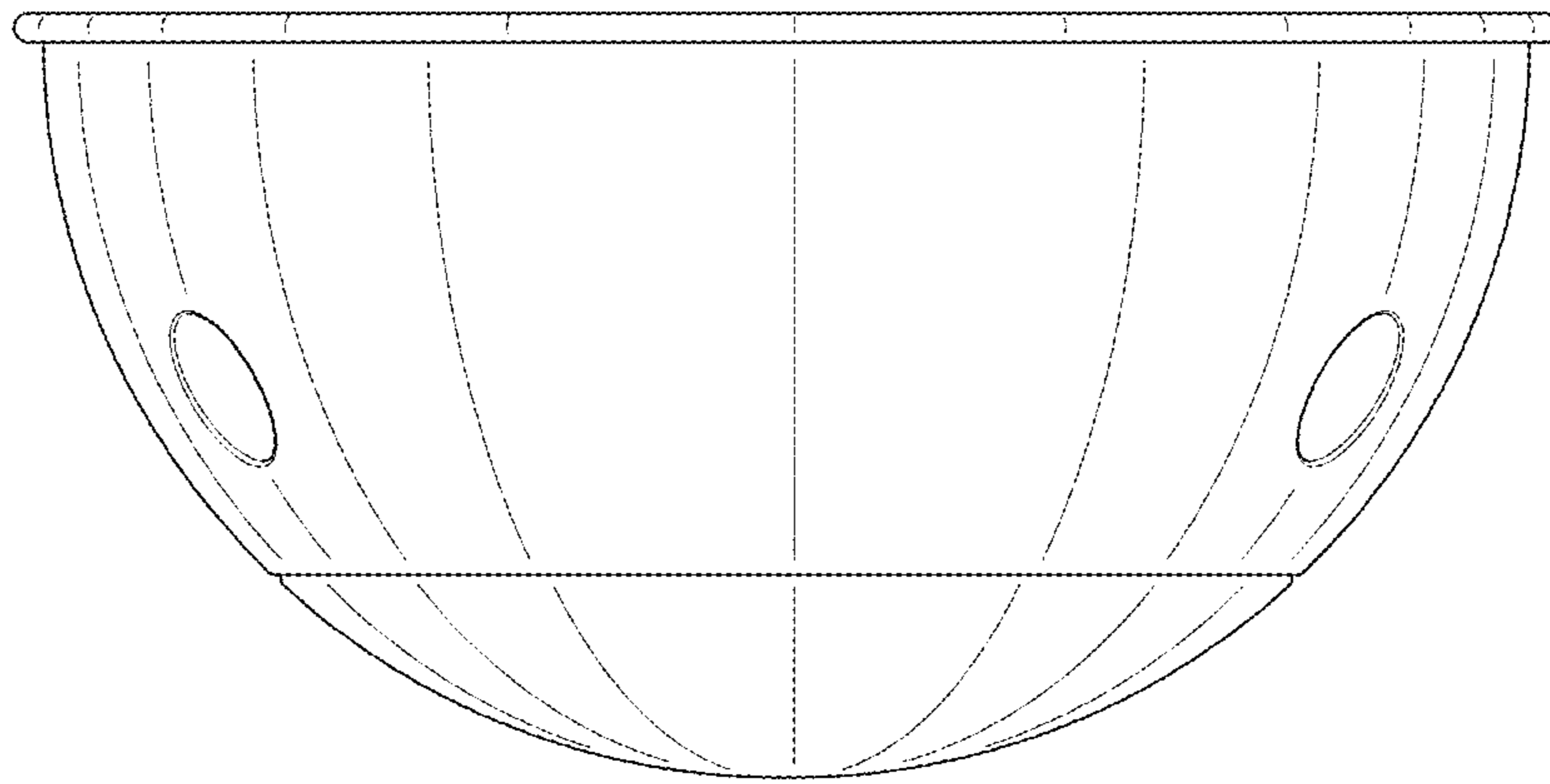


FIG. 2



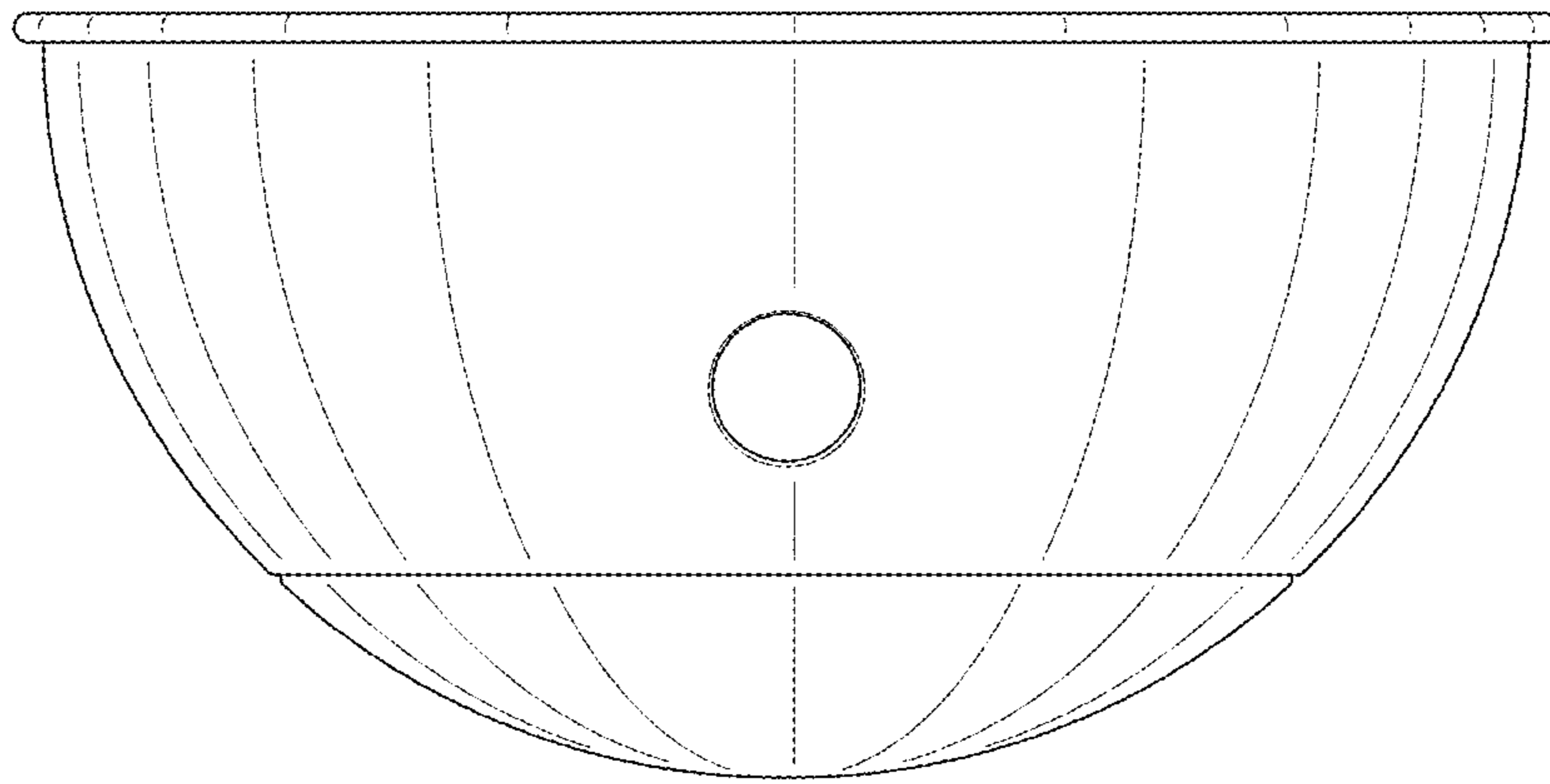


FIG. 3

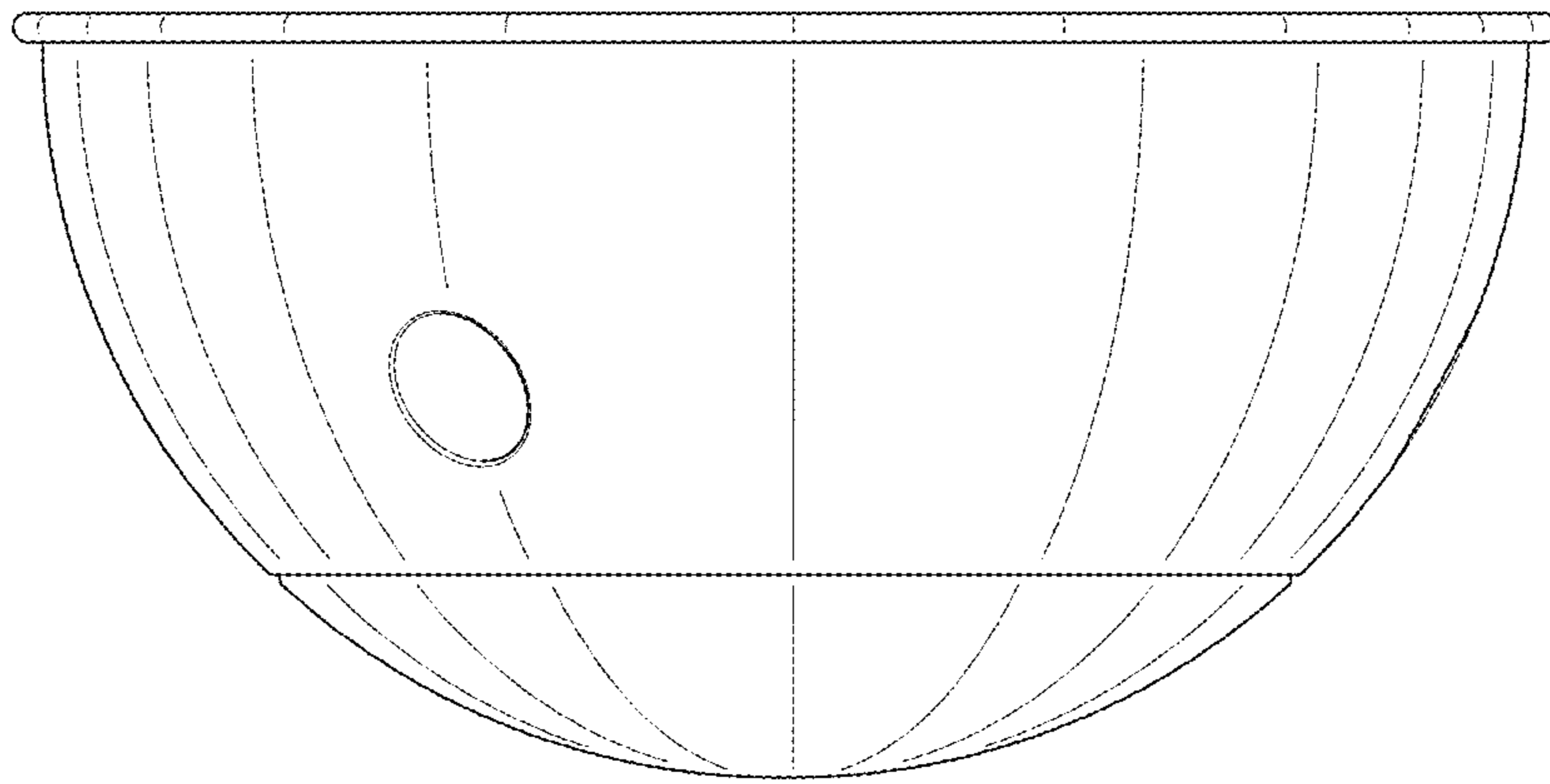


FIG. 4

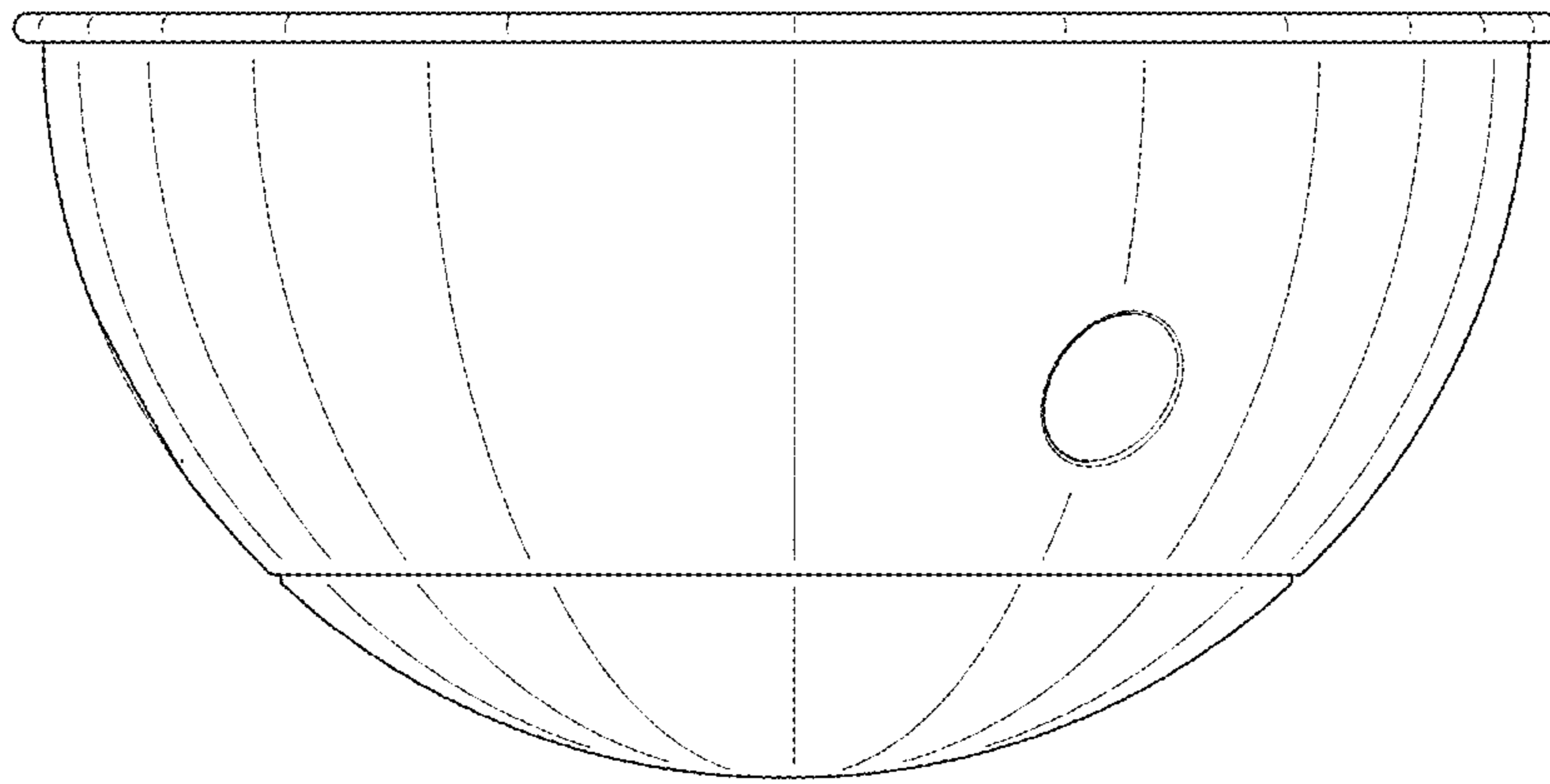


FIG. 5



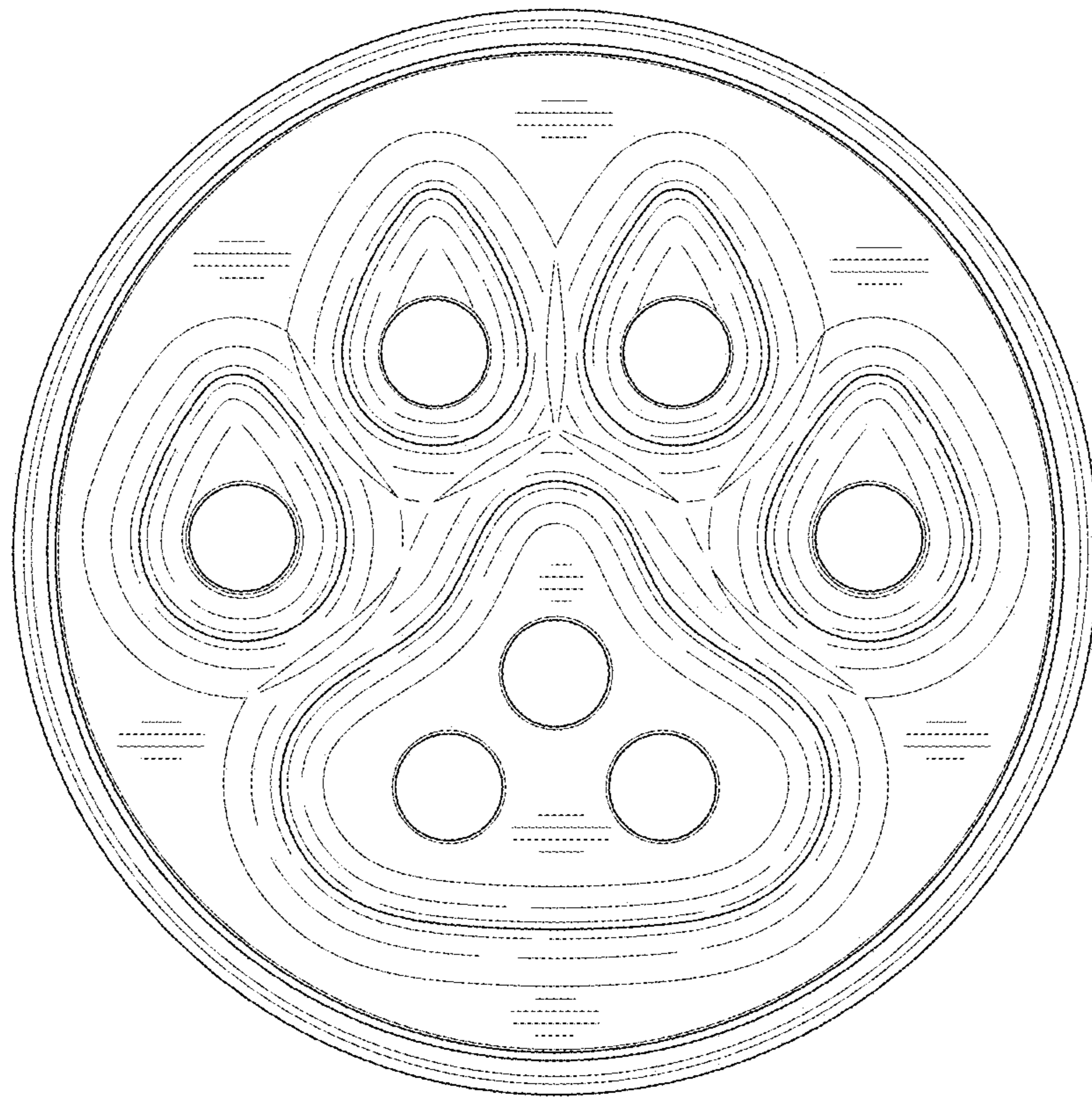


FIG. 6

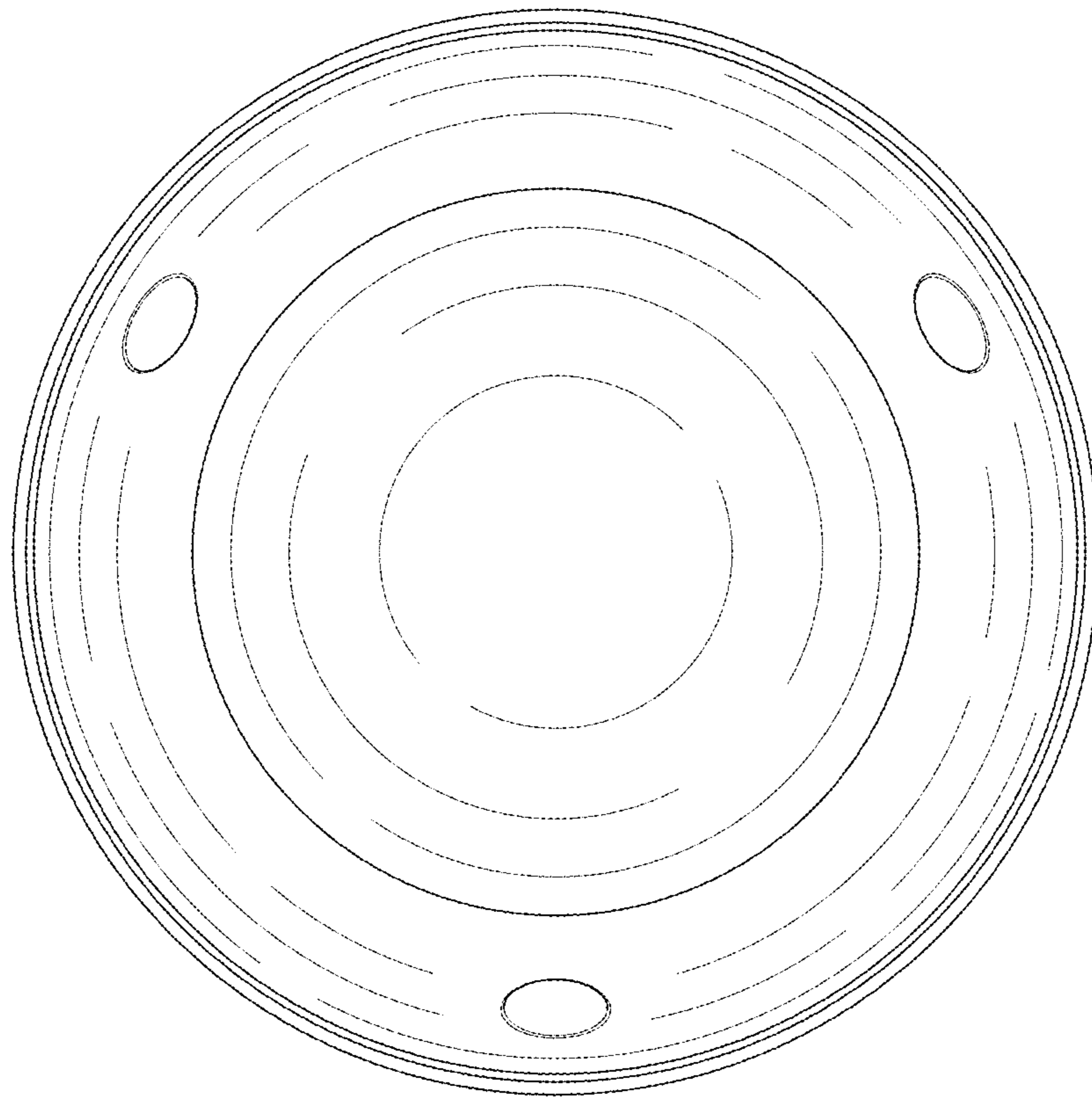


FIG. 7

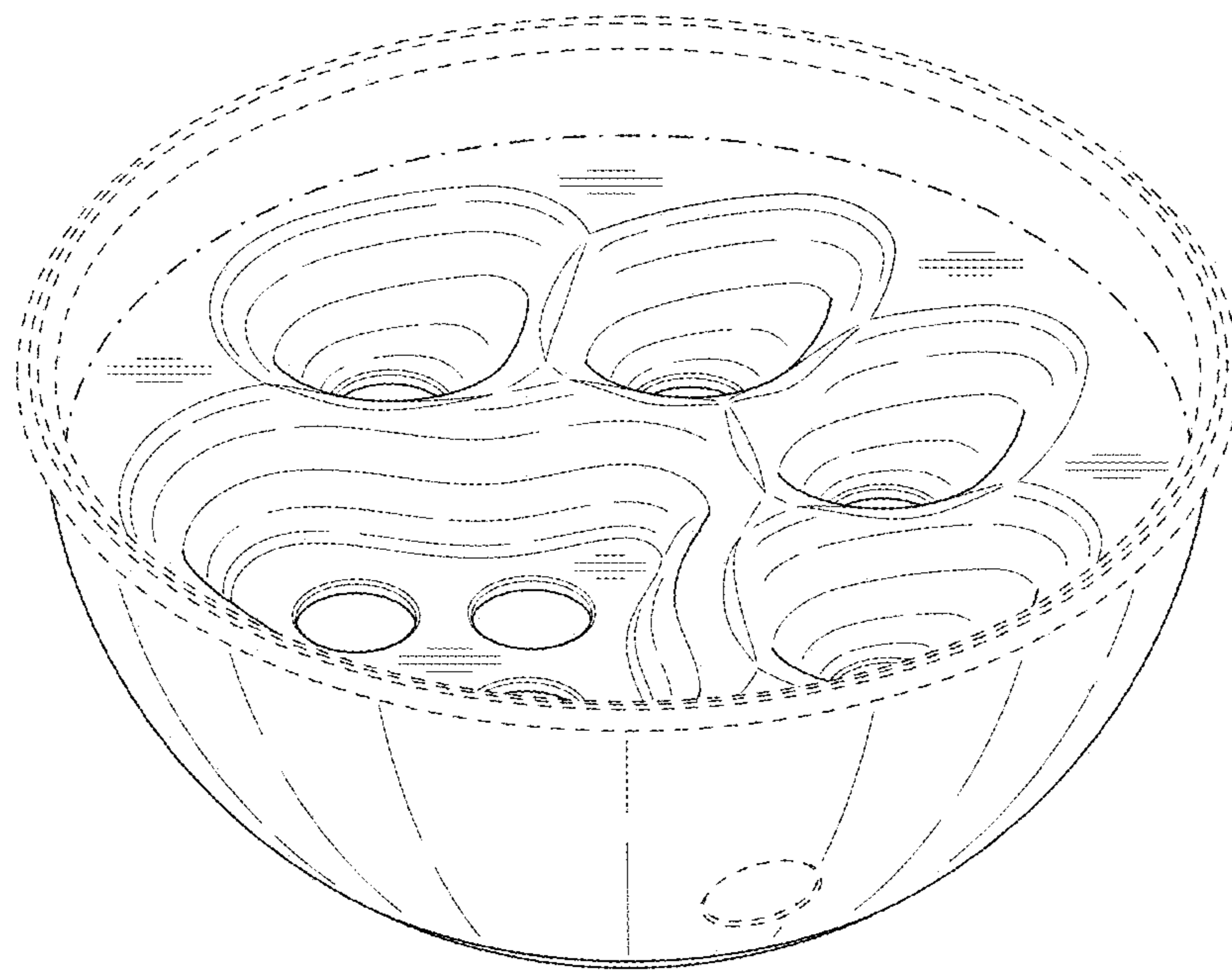


FIG. 8

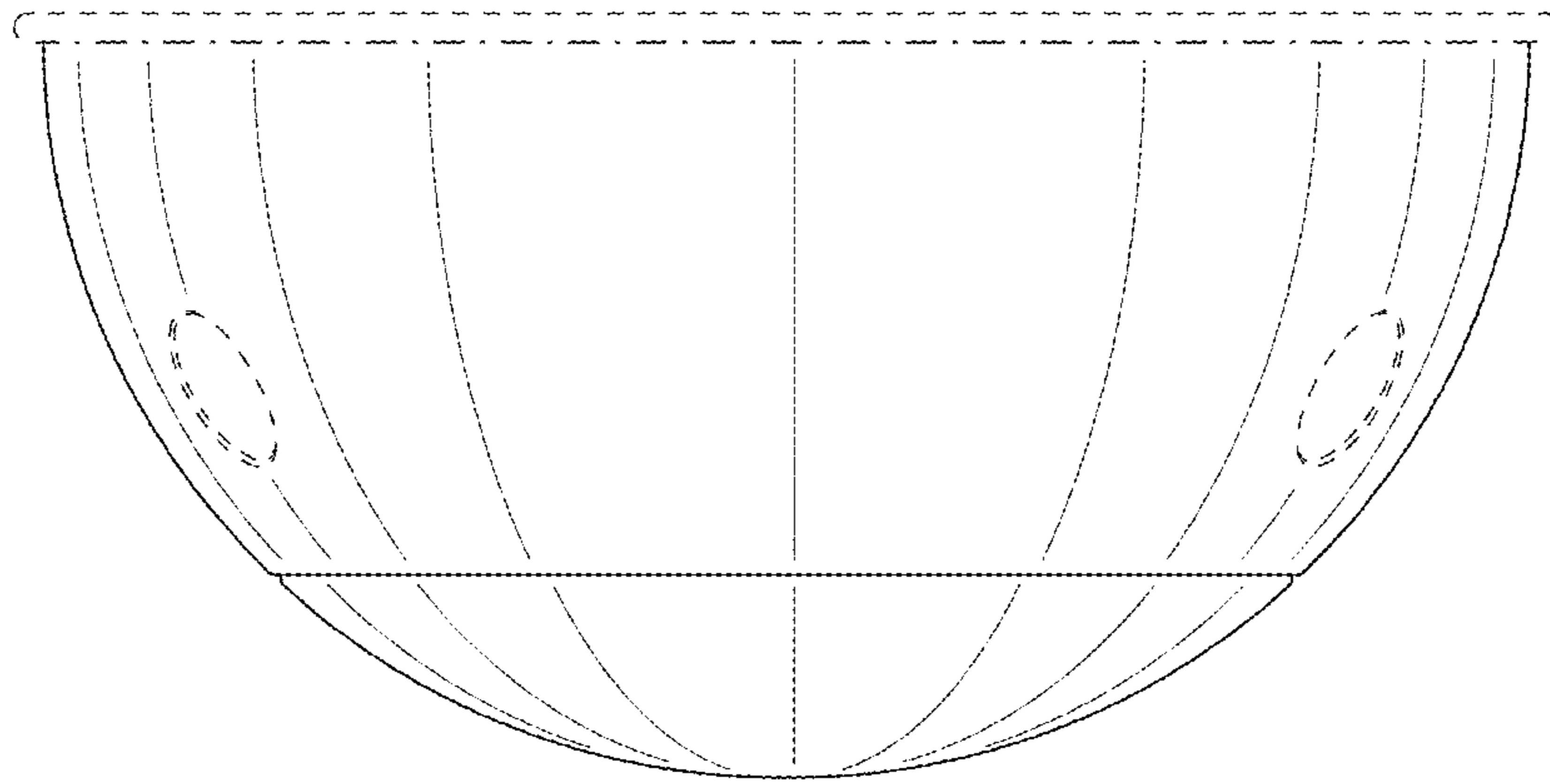


FIG. 9



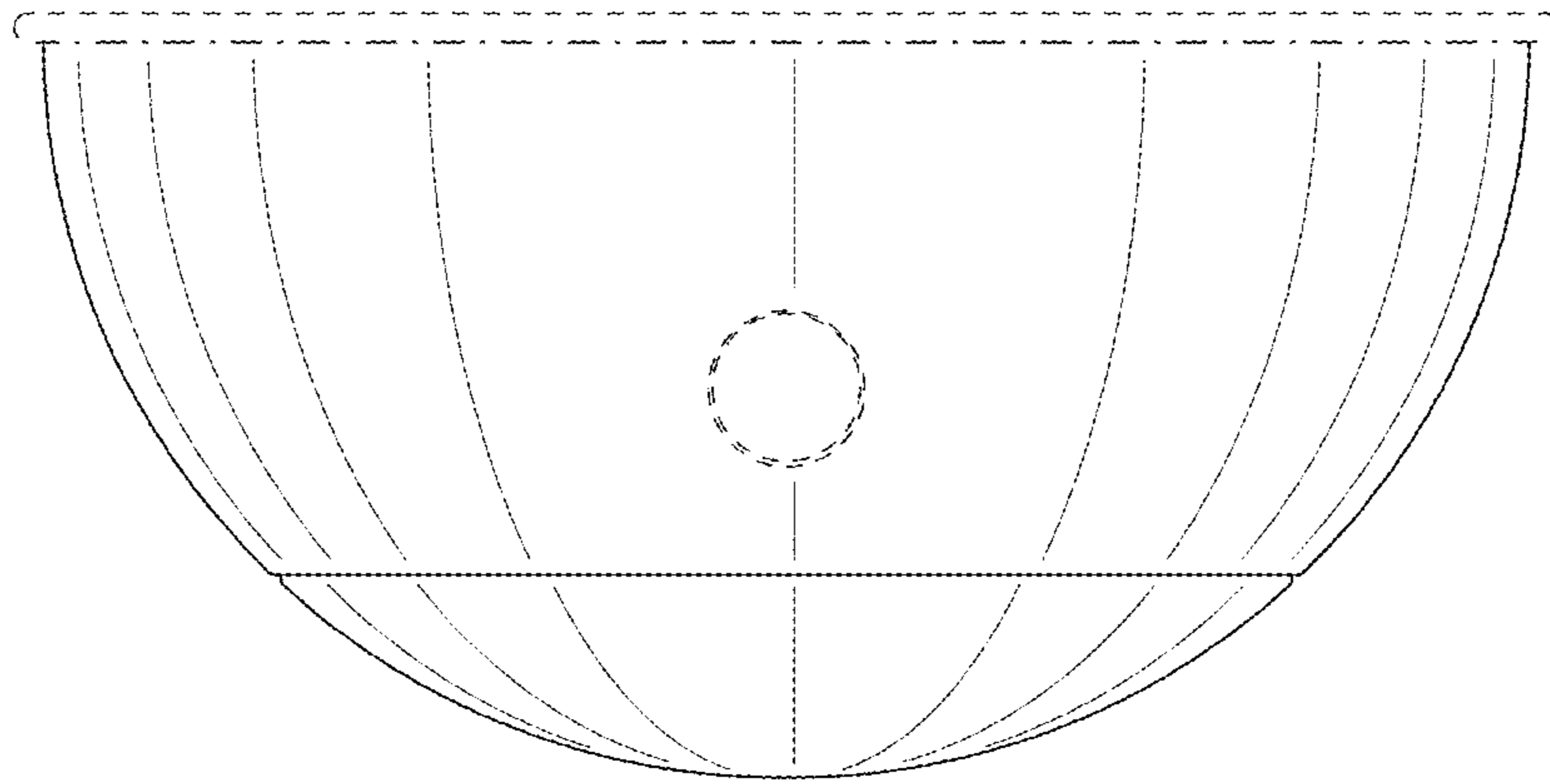


FIG. 10

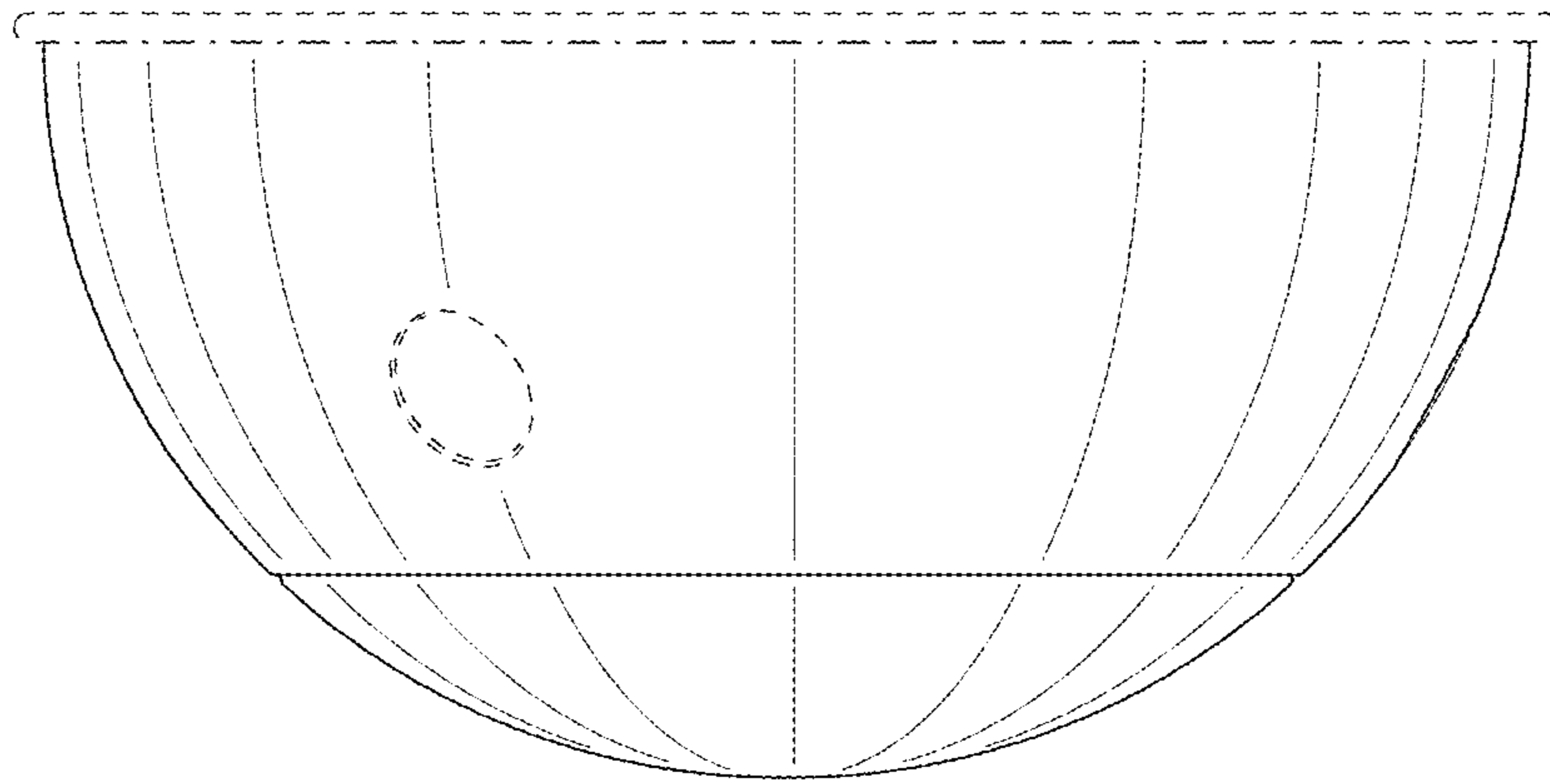


FIG. 11

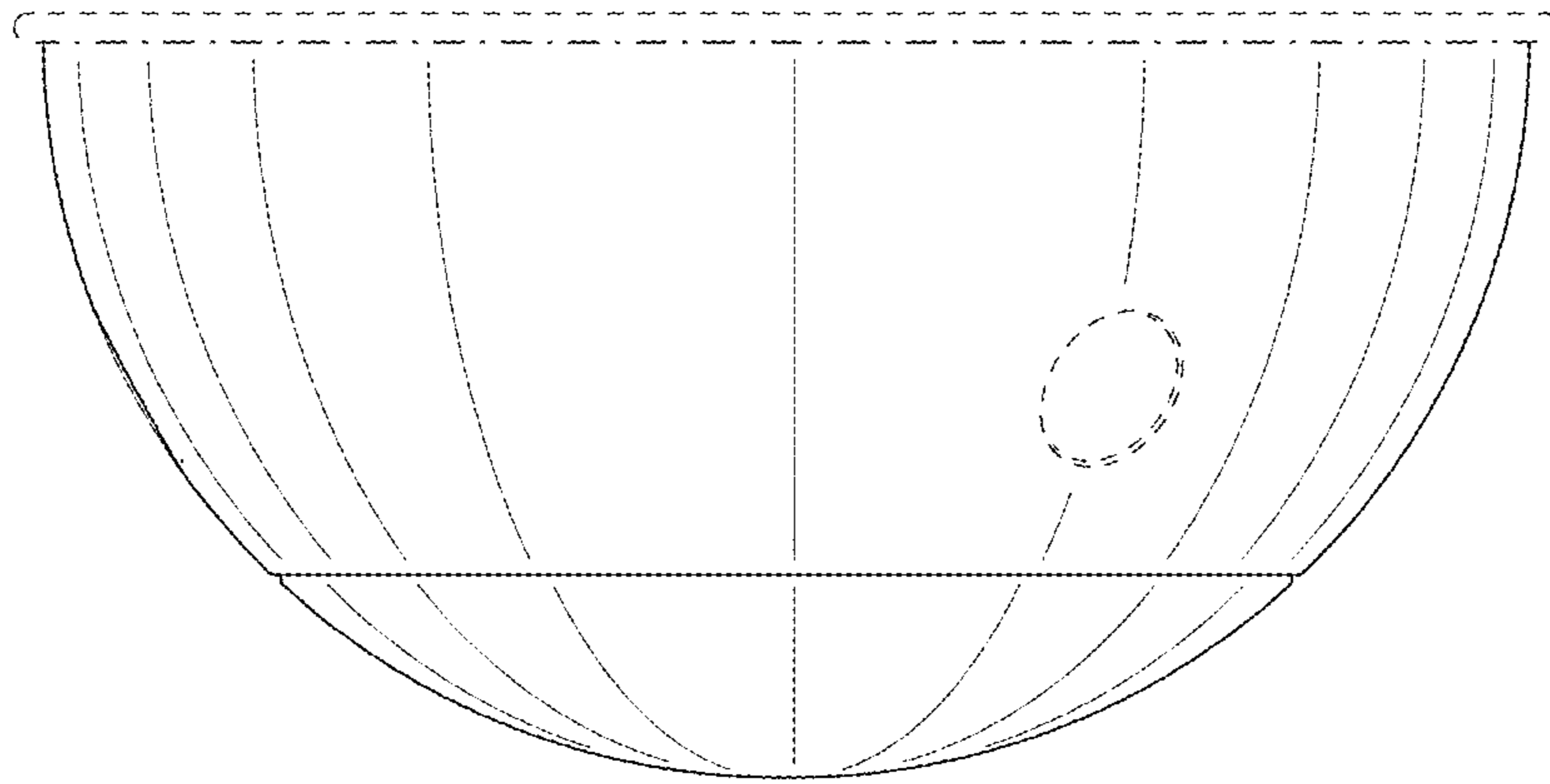


FIG. 12

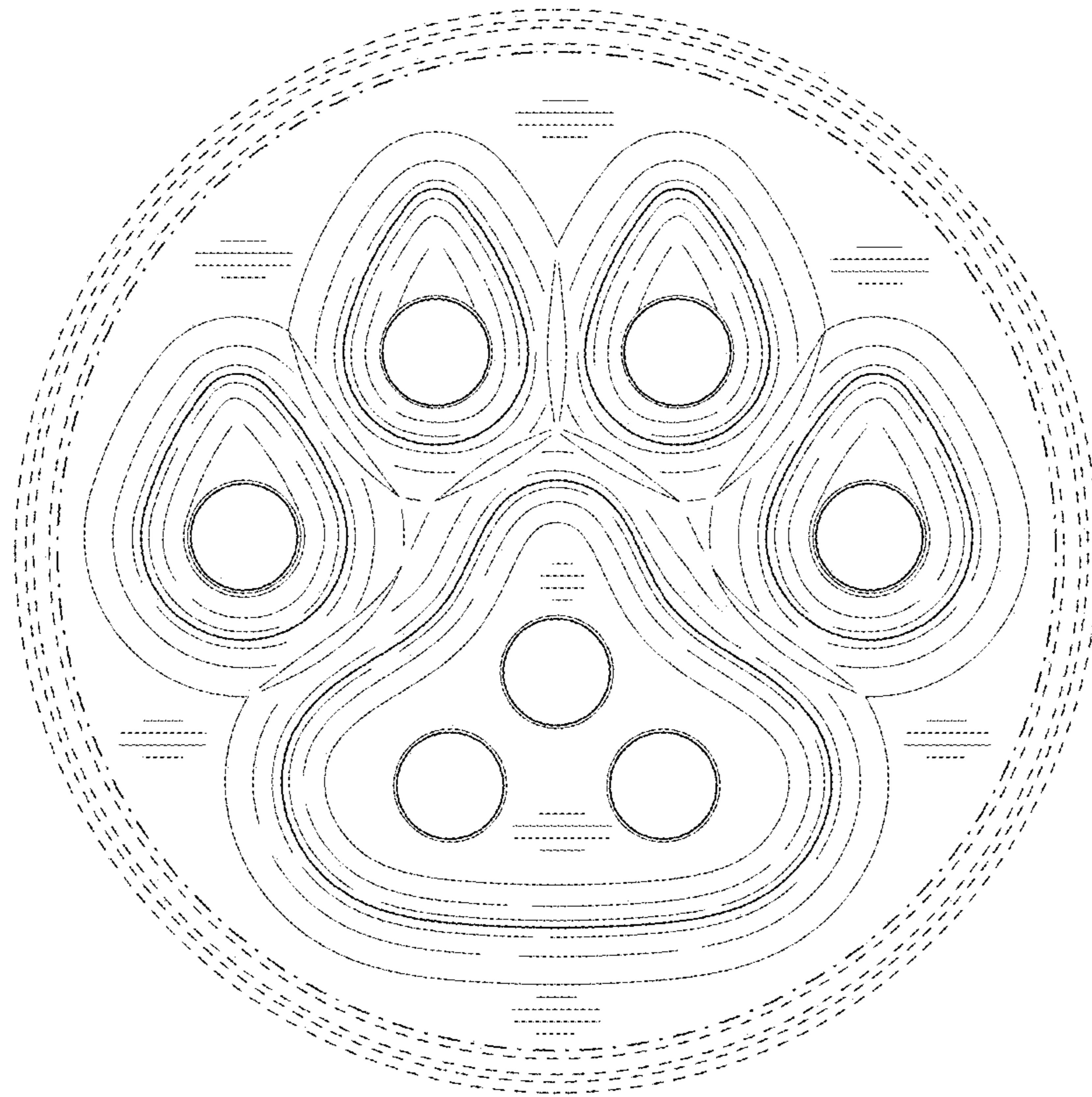


FIG. 13



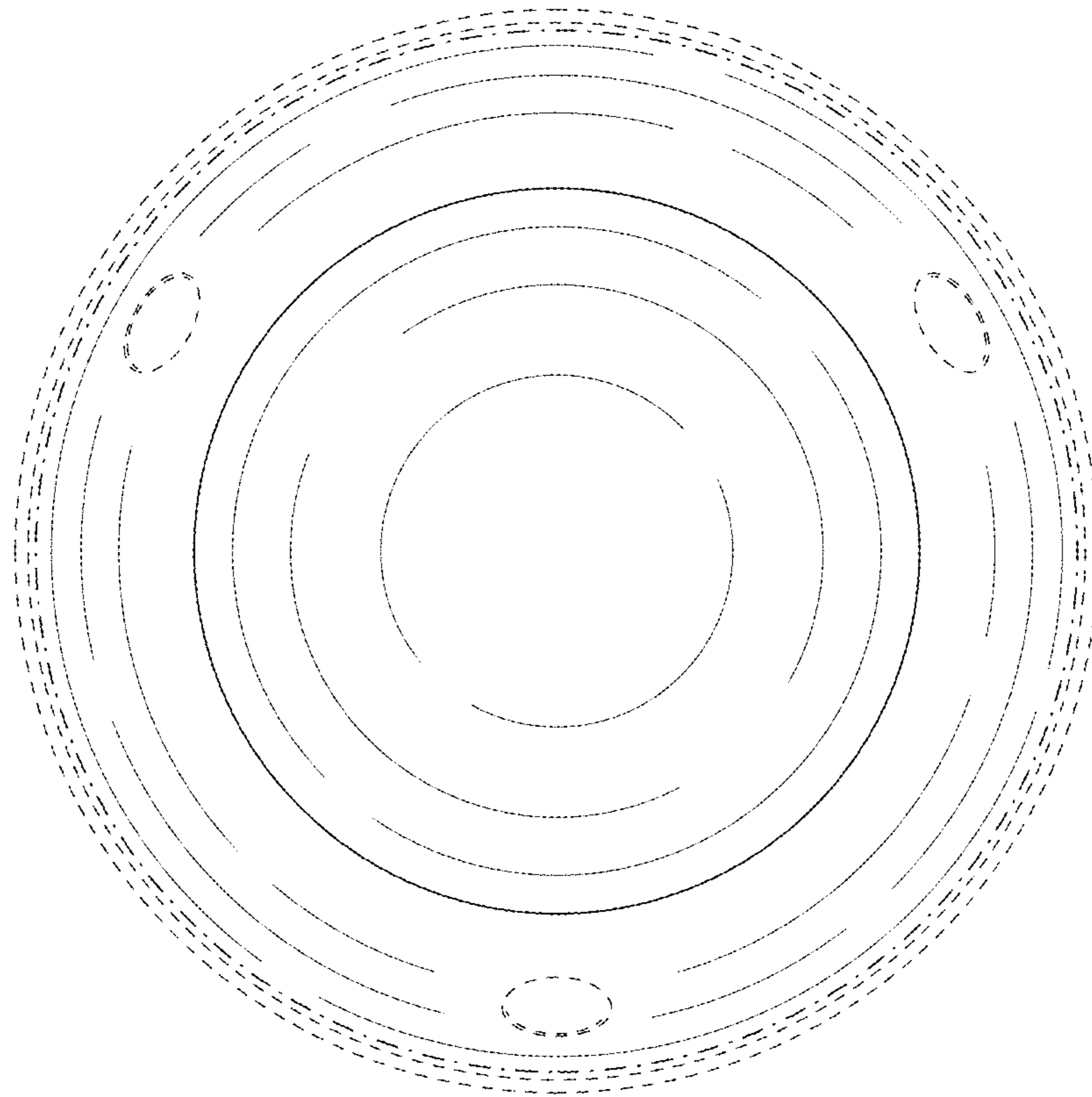


FIG. 14

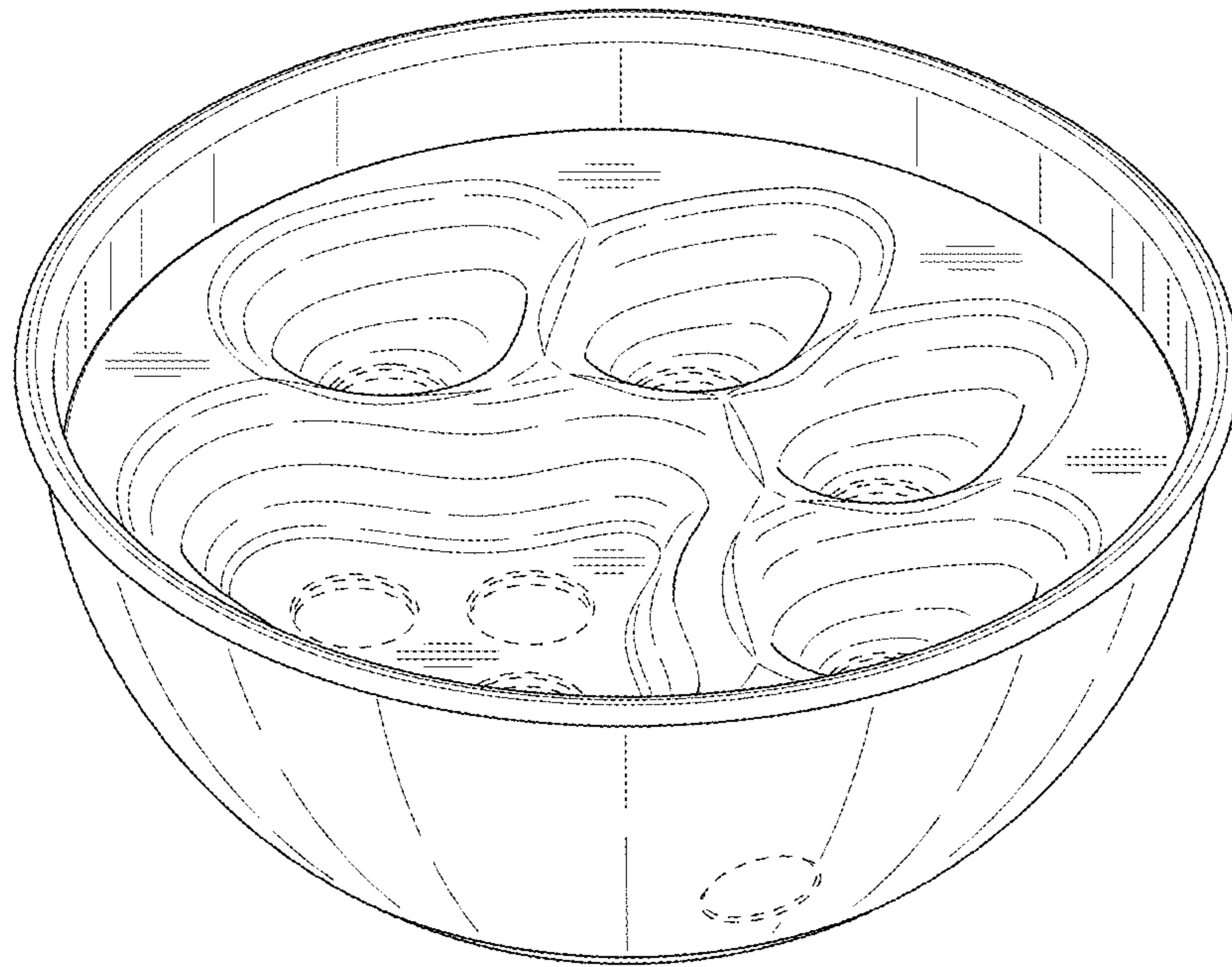


FIG. 15

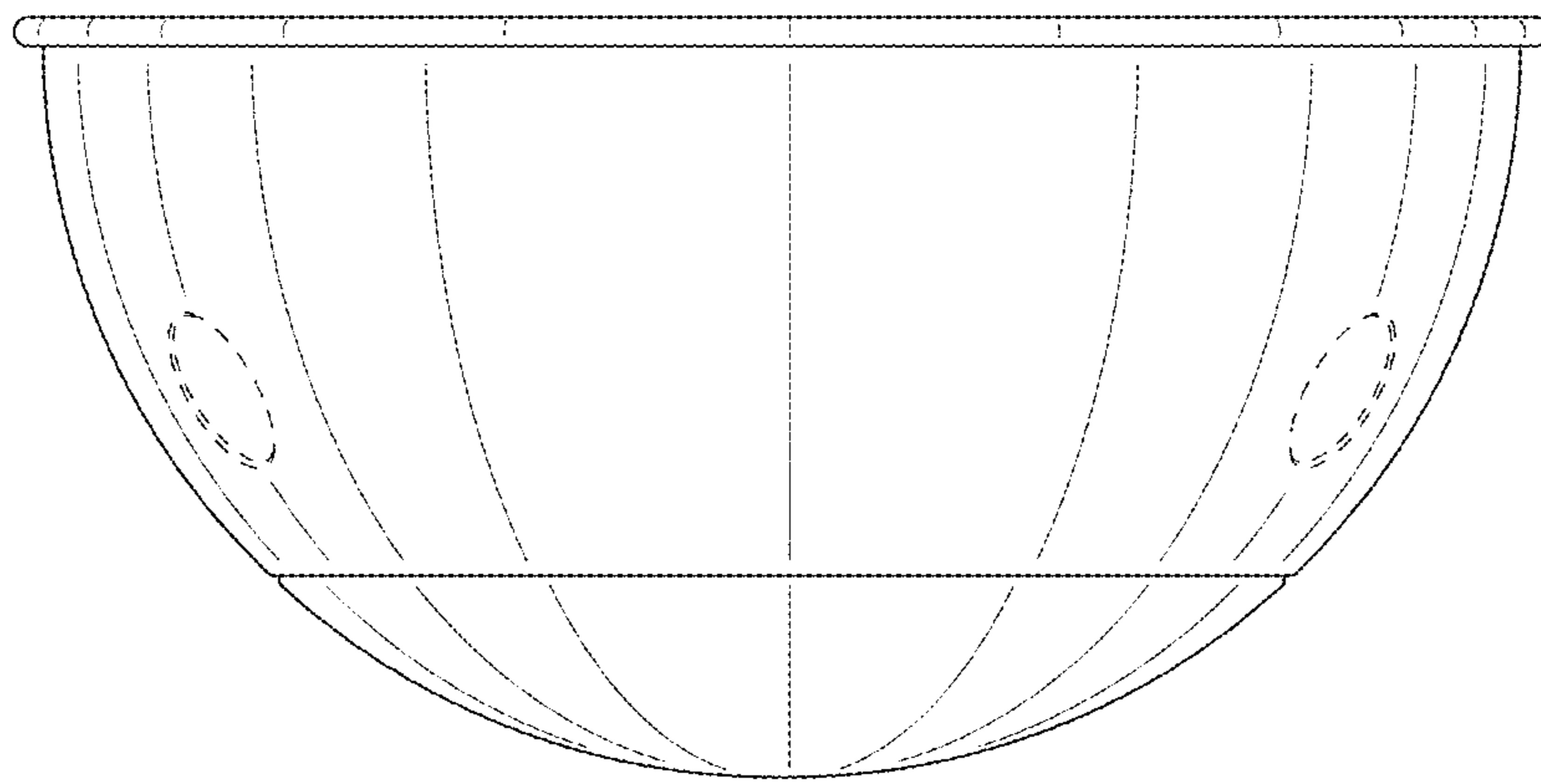


FIG. 16

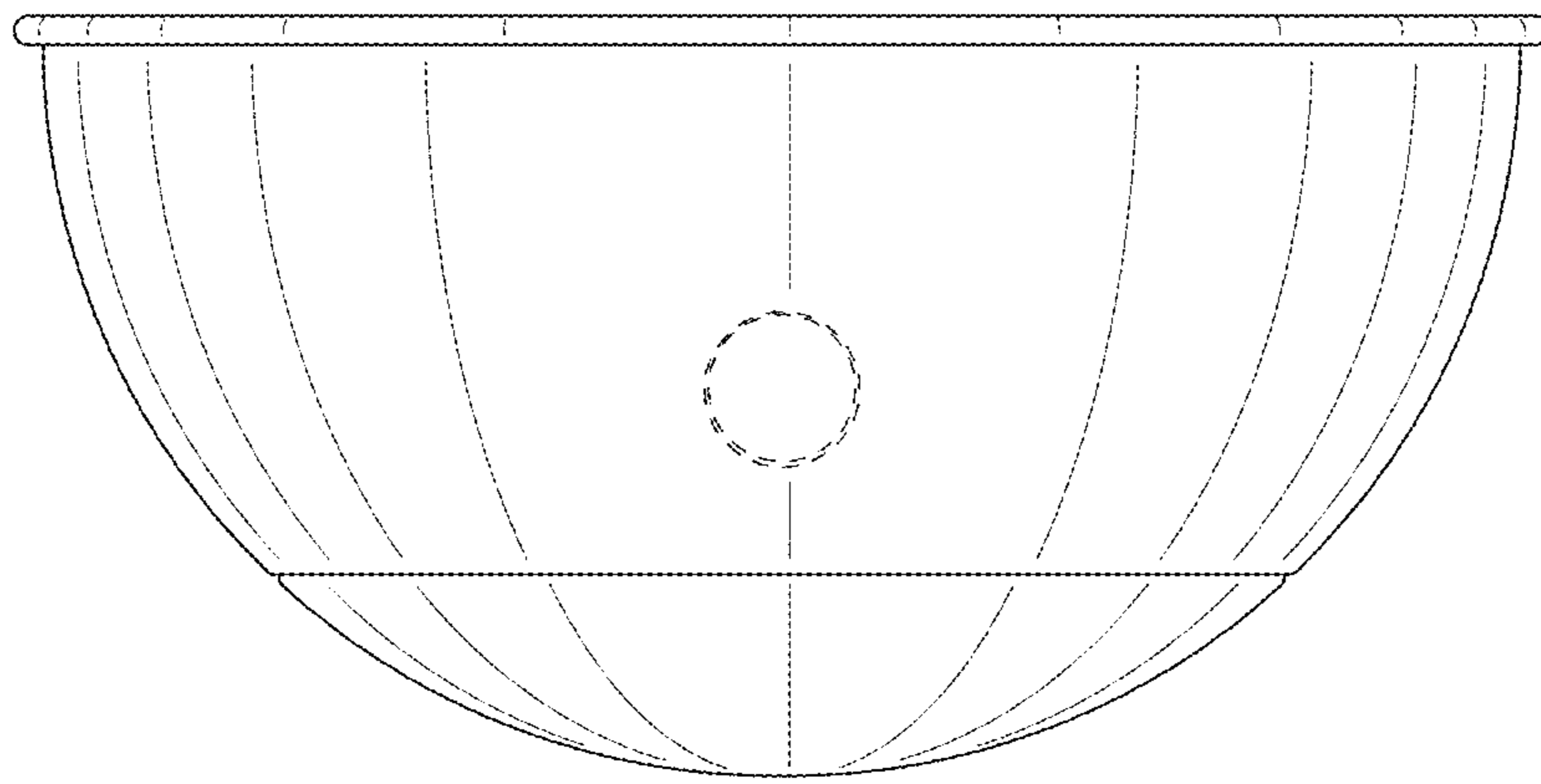


FIG. 17



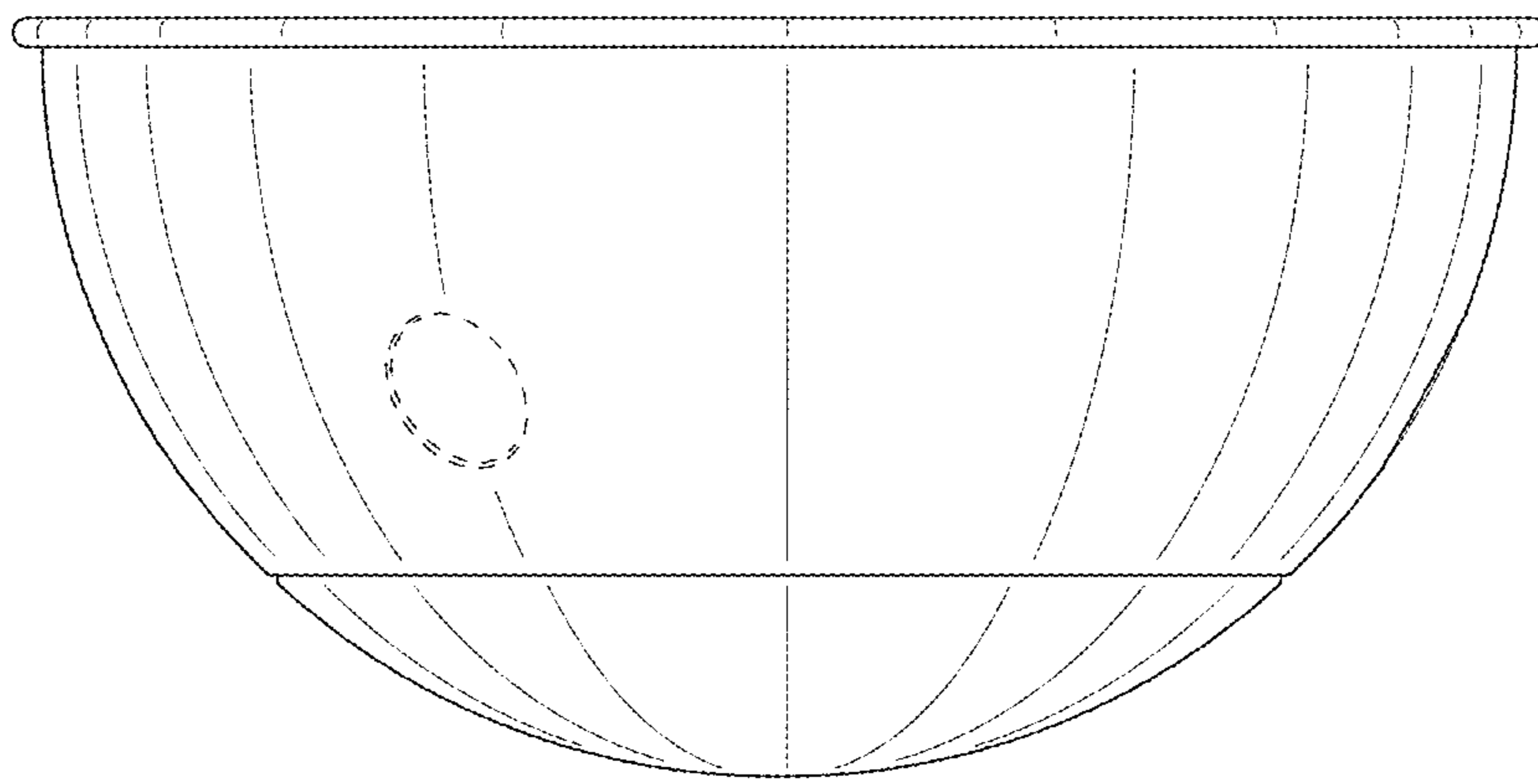


FIG. 18

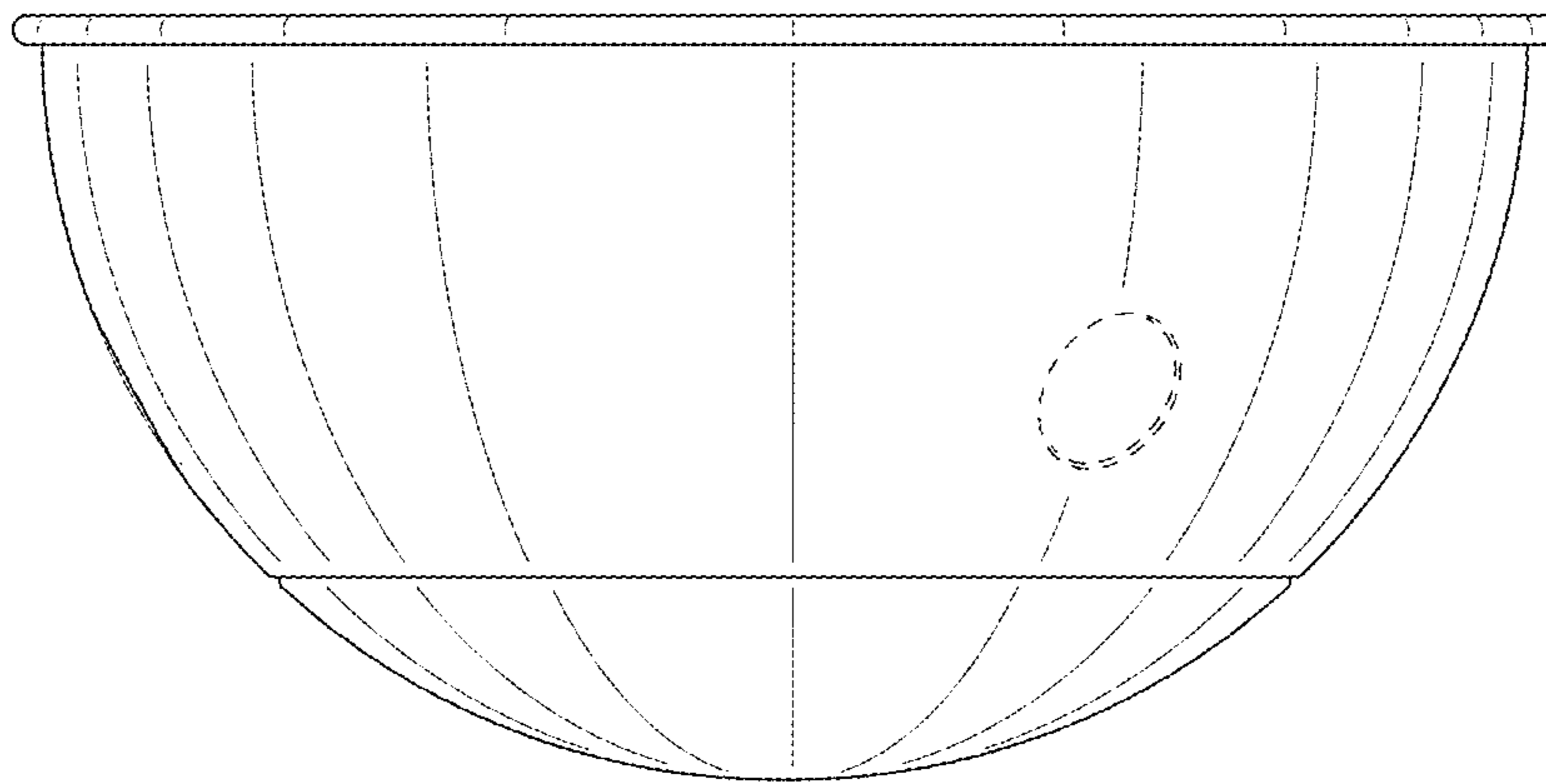


FIG. 19

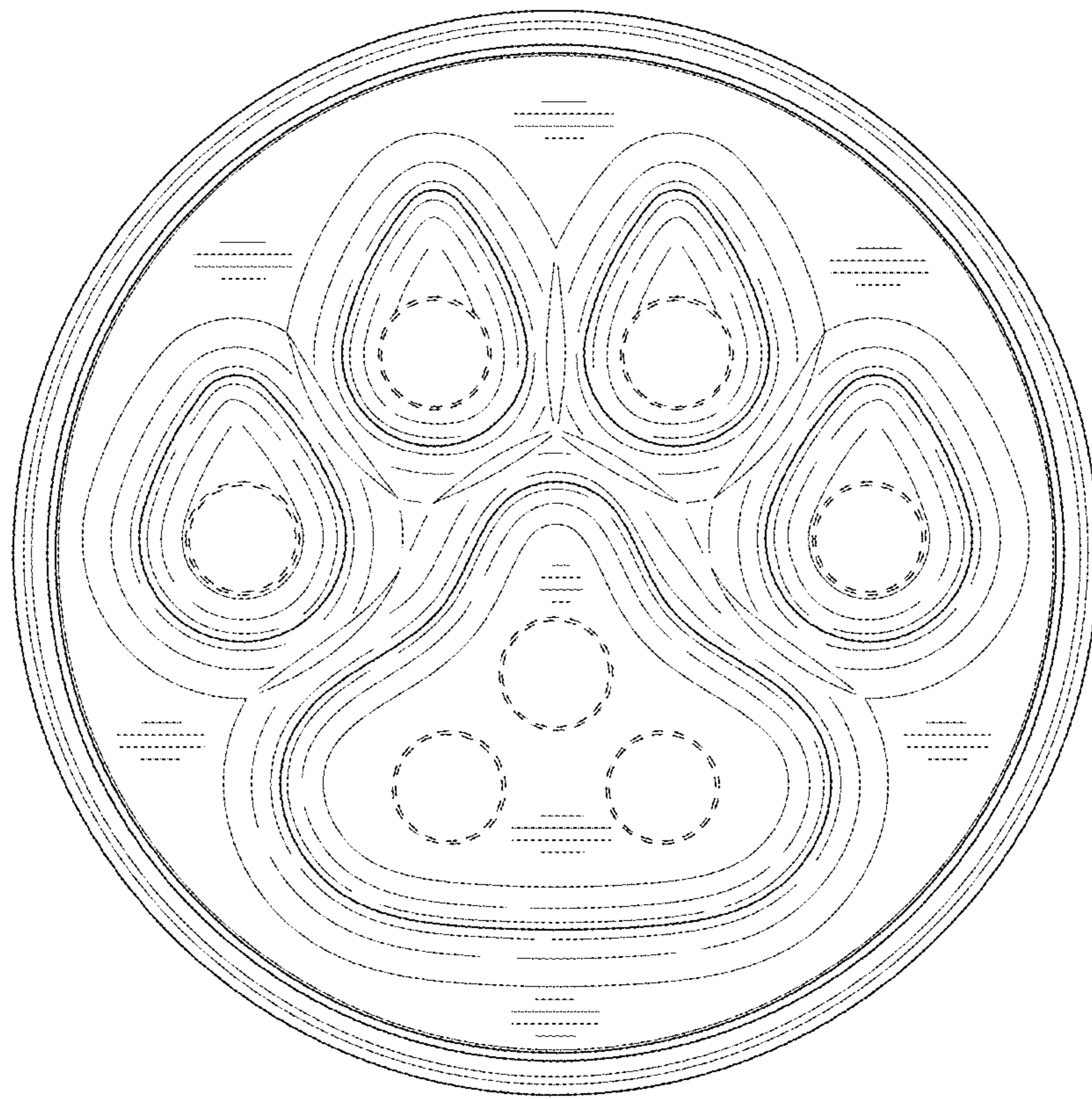


FIG. 20

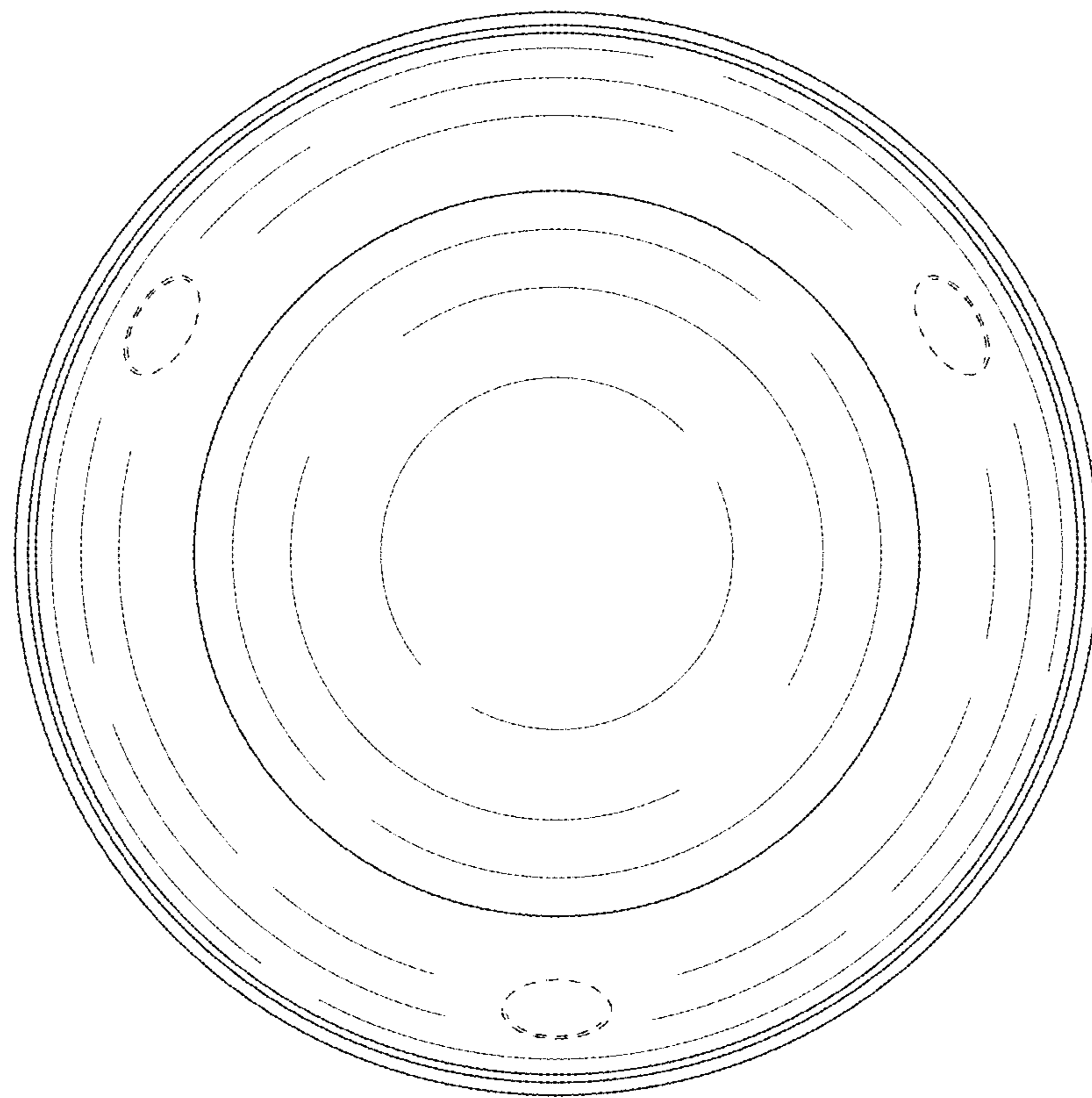


FIG. 21



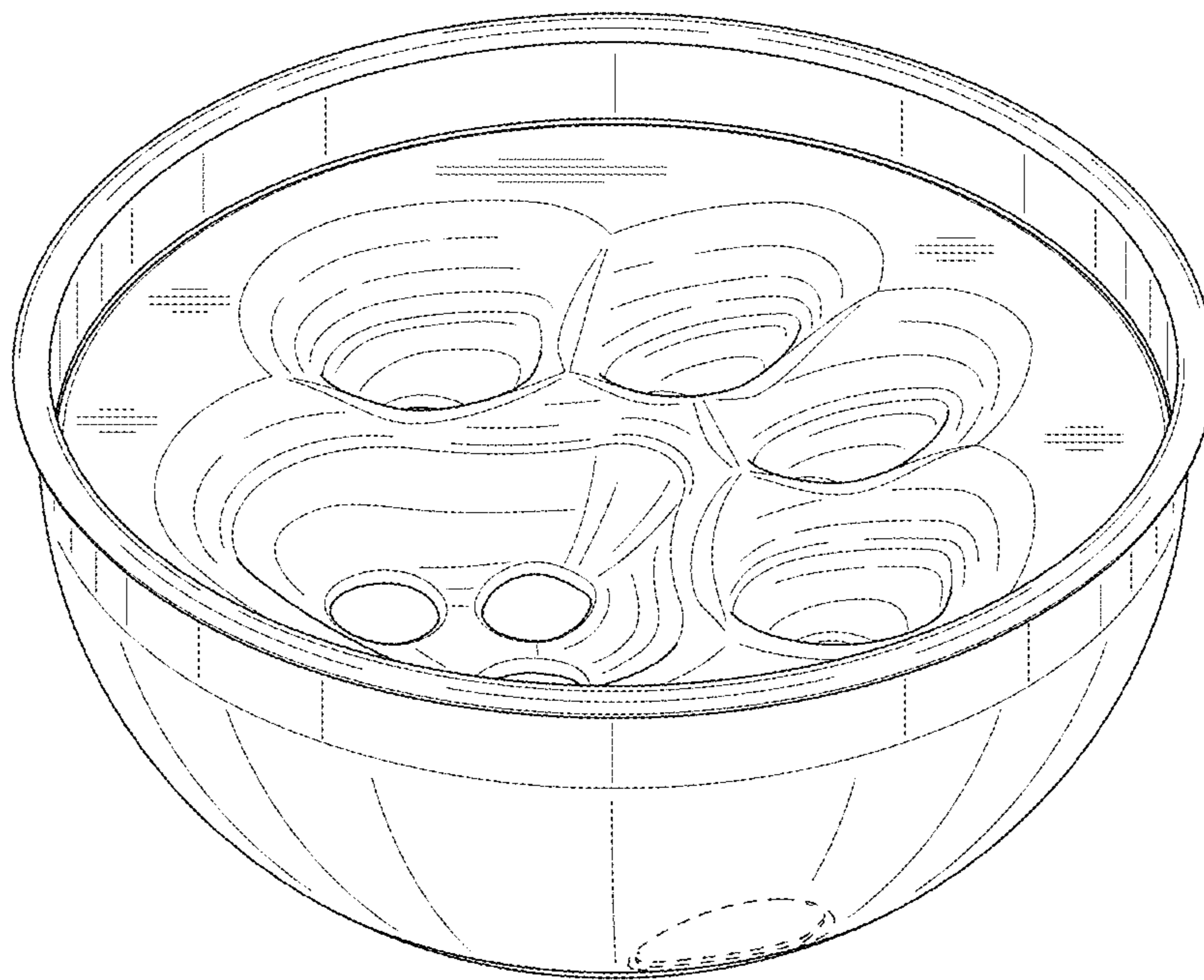


FIG. 22

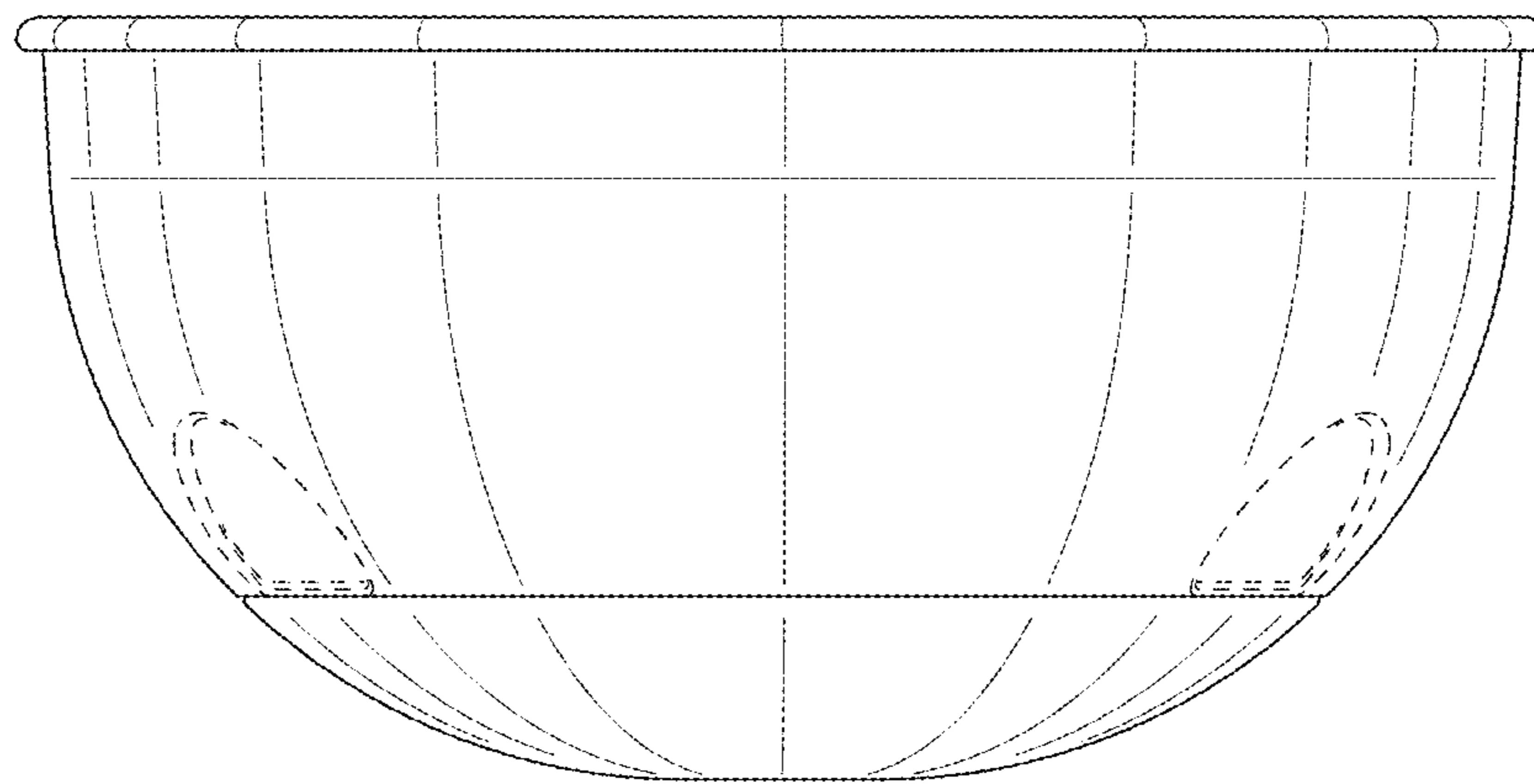


FIG. 23

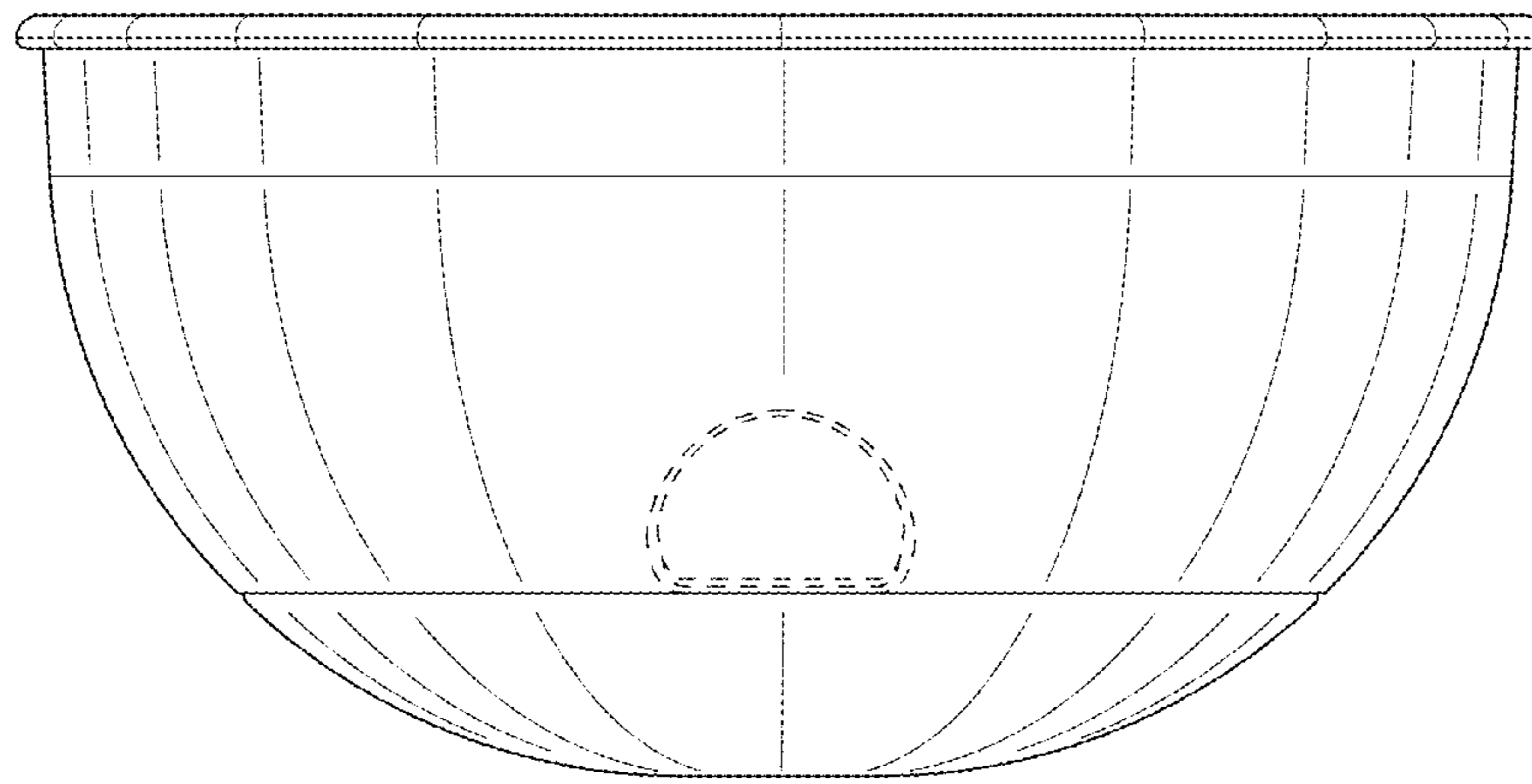


FIG. 24

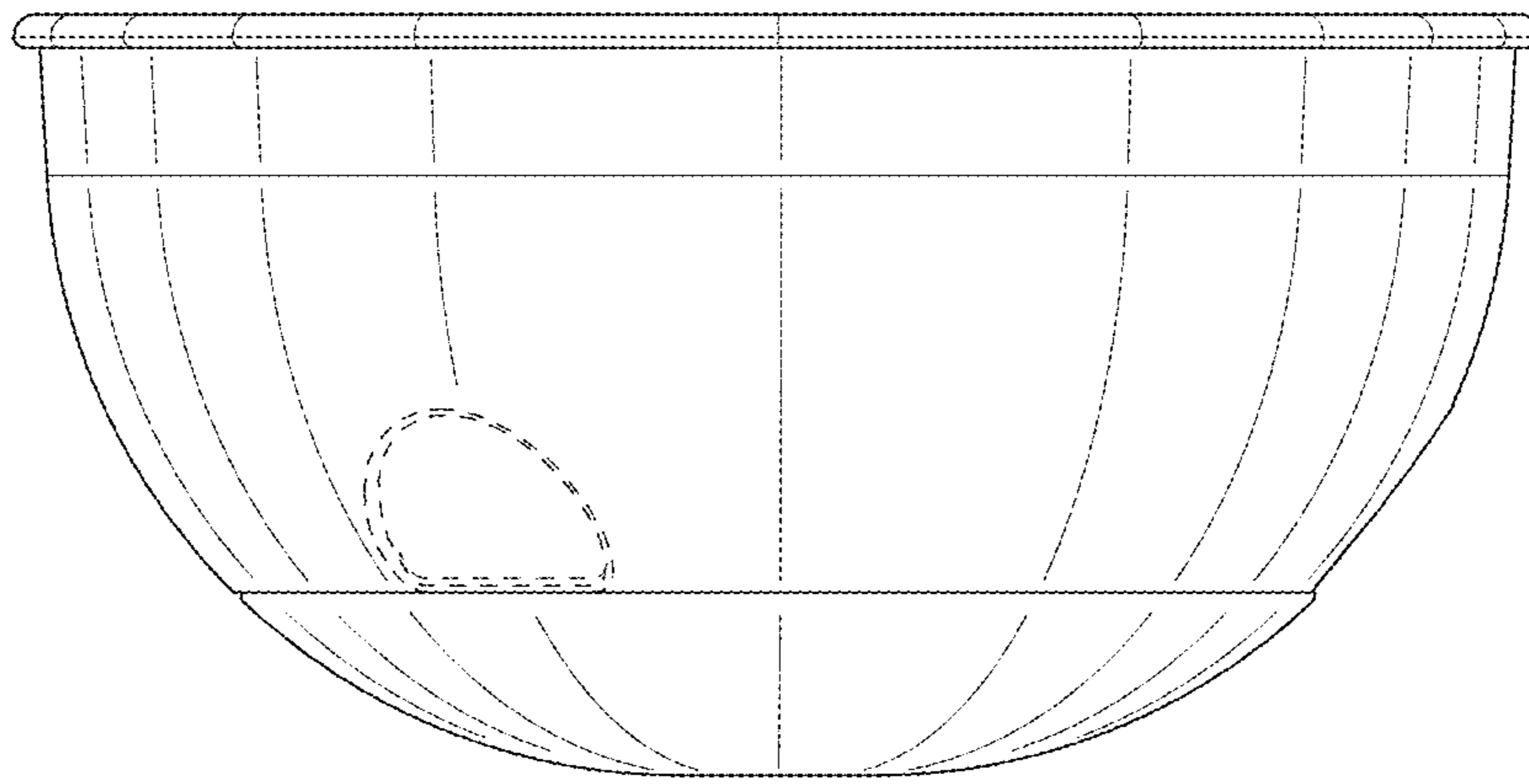


FIG. 25

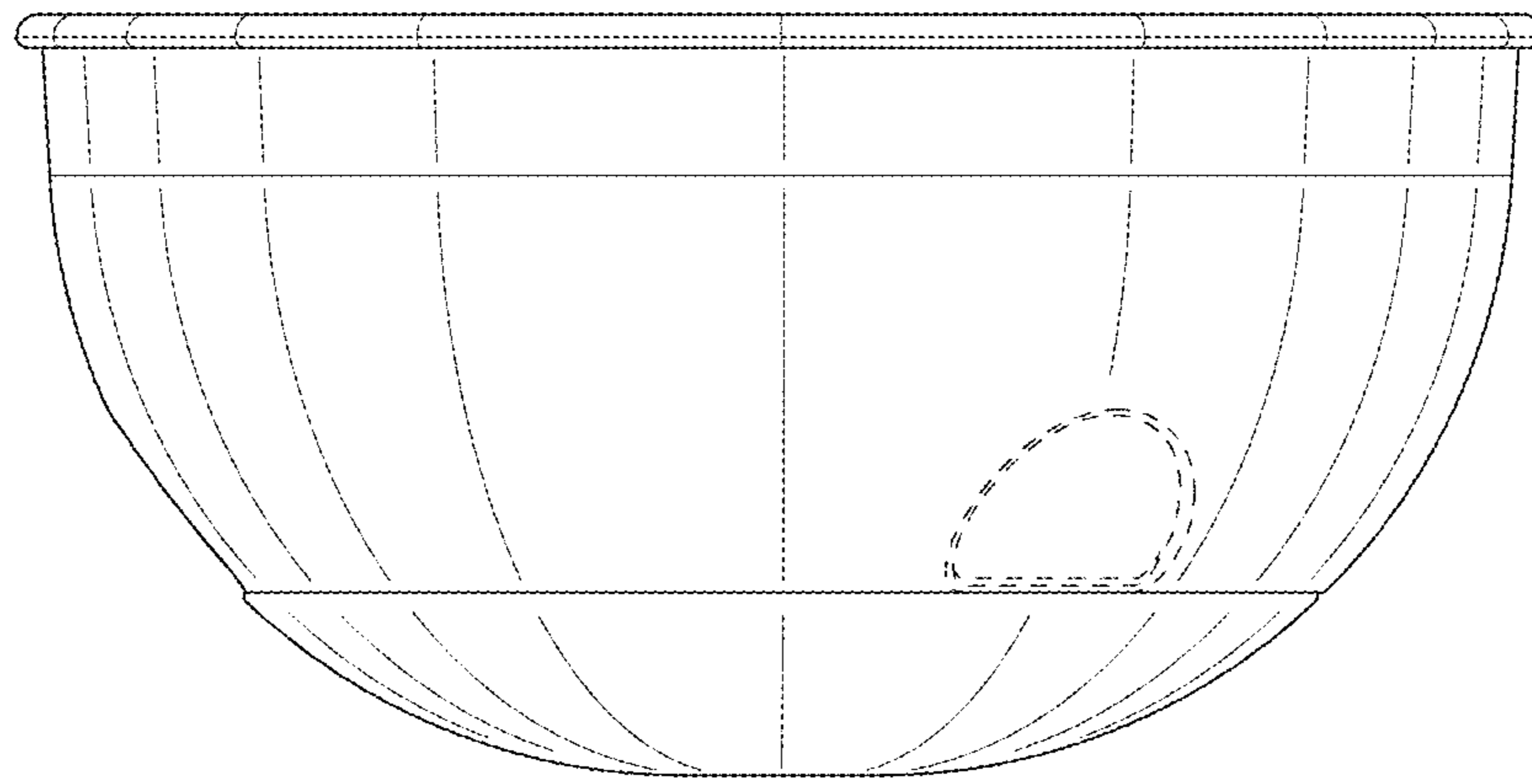


FIG. 26

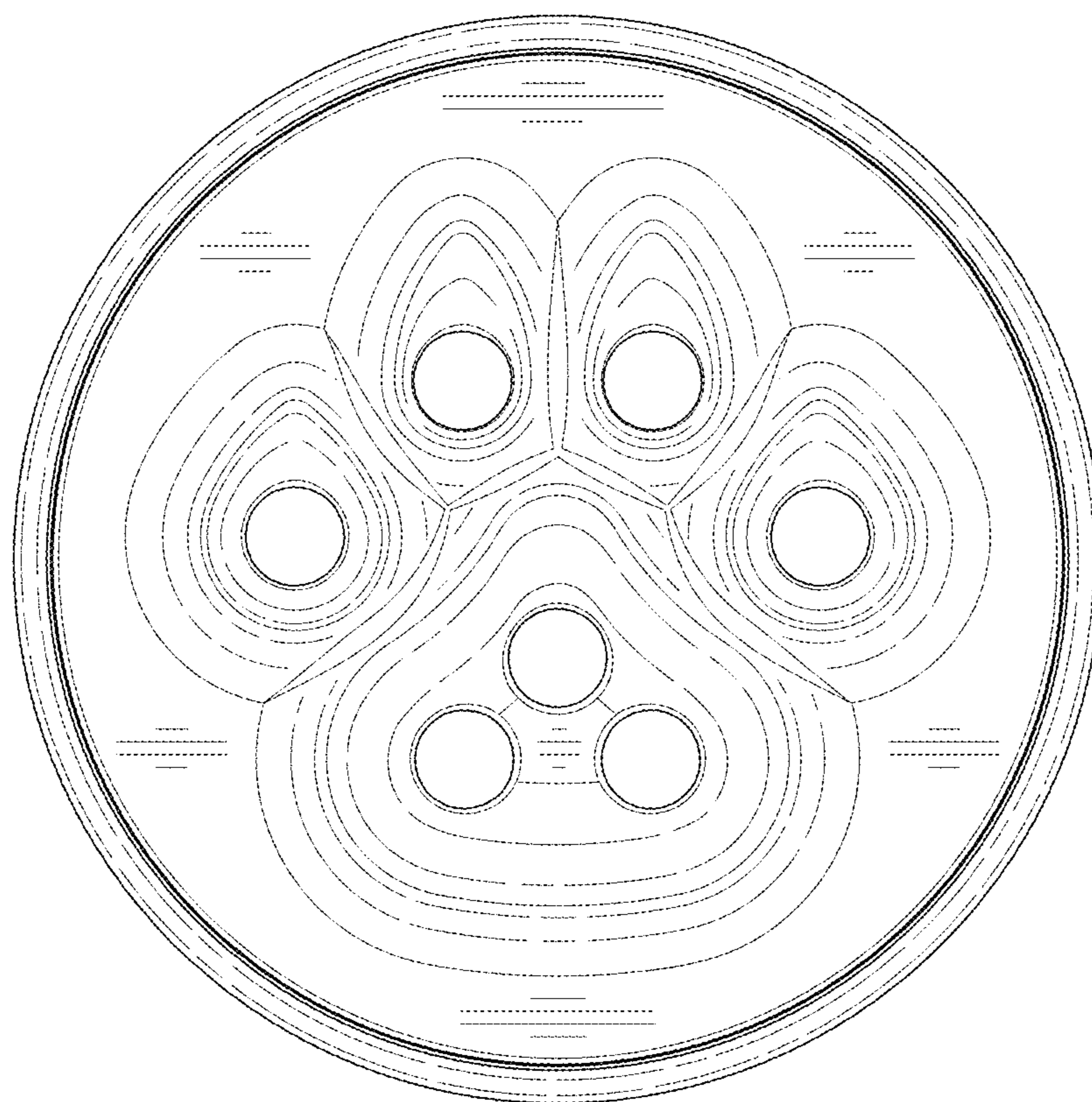


FIG. 27



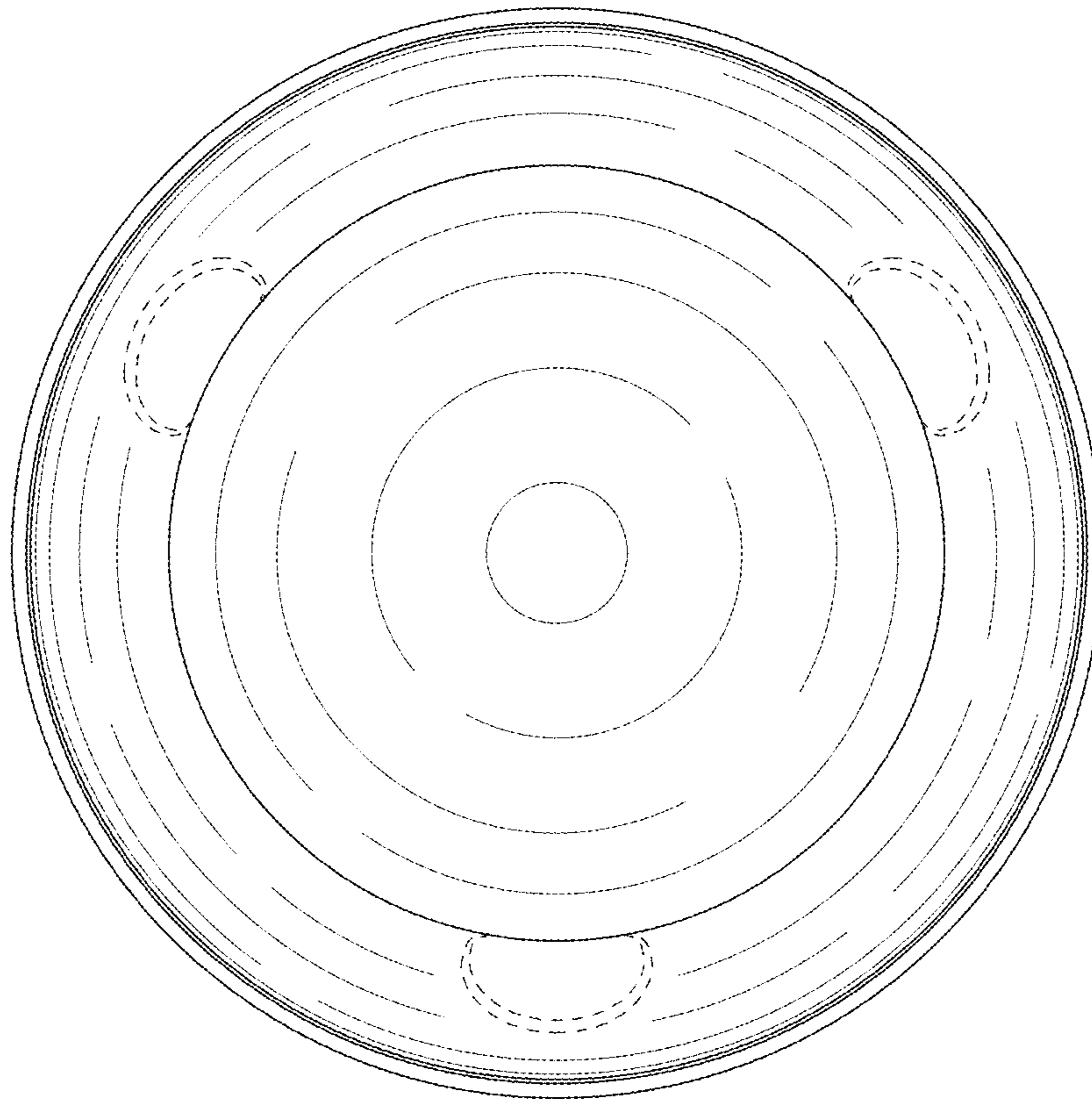


FIG. 28