



US00D884287S

(12) **United States Design Patent**
Gevaert

(10) **Patent No.:** **US D884,287 S**

(45) **Date of Patent:** **** May 12, 2020**

(54) **TRANSPORT CONTAINER FOR ANIMALS**

(71) Applicant: **MP GROUP NV**, Izegem (BE)

(72) Inventor: **Sabine Gevaert**, Bredene (BE)

(**) Term: **15 Years**

(21) Appl. No.: **35/506,782**

(22) Filed: **Feb. 13, 2019**

(80) **Hague Agreement Data**

Int. Filing Date: **Feb. 13, 2019**

Int. Reg. No.: **DM/201030**

Int. Reg. Date: **Feb. 13, 2019**

Int. Reg. Pub. Date: **May 24, 2019**

(51) **LOC (12) Cl.** **30-02**

(52) **U.S. Cl.**
USPC **D30/109**

(58) **Field of Classification Search**
USPC D30/108, 109, 114, 115, 116, 117, 118,
D30/160

CPC A01K 1/0236; A01K 1/0245
See application file for complete search history.

(56) **References Cited**

U.S. PATENT DOCUMENTS

D314,251 S *	1/1991	Van Skiver	D30/109
D367,733 S *	3/1996	Paxman	D30/109
6,182,611 B1 *	2/2001	Marchioro	A01K 1/0245 119/453
6,427,631 B1 *	8/2002	Ross	A01K 1/0245 119/453
D570,556 S *	6/2008	Richardson	D30/109
D571,054 S *	6/2008	Donnelly	D30/109
D619,307 S *	7/2010	Martin	D30/109
D659,294 S *	5/2012	Veness	D30/109
D713,099 S *	9/2014	Chance	D30/109
D768,941 S *	10/2016	Edmonds	D30/109

10,010,049 B2 *	7/2018	Kellogg	A01K 1/034
D861,257 S *	9/2019	Lenzi	D30/109
2005/0284403 A1 *	12/2005	Delino	A01K 1/0281 119/497

OTHER PUBLICATIONS

“Catit Design Cat Cabrio Multi-Functional Carrier Sysem”. Found online Apr. 4, 2019 at amzon.co.uk. Page dated Aug. 8, 2009. Retrieved from https://www.amazon.co.uk/Catit-Design-Carrier-Airline-Approved/dp/B002RLE13M/ref=sr_1_77?keywords=car-crate&qid=1554419517&s=pets-supplies&sr=1-77.*

“PetMate Mojetto 2-Door Kennel-Carrier”. Found online Feb. 6, 2020 at amazon.co.uk. Reference dated Feb. 23, 2016. Retrieved from https://www.amazon.co.uk/Mojetto-21225-Petmate-2-Door-Kennel/dp/B00BUTBFKY/ref=sr_1_42?keywords=petsmate+carrier&qid=1581017490&sr=8-42.*

“Moderna Top Runner Pet Carrier”. Found online Feb. 6, 2020 at earnestmutts.com. Reference dated May 22, 2012. Retrieved from https://tineye.com/search/e431869ee1cd84c9ce8017a5de0f36dd0c7dfc6e?page=1&sort=crawl_date&order=asc&extension_ver=chrome-1.3.0.*

* cited by examiner

Primary Examiner — Kendra Leslie Hamilton

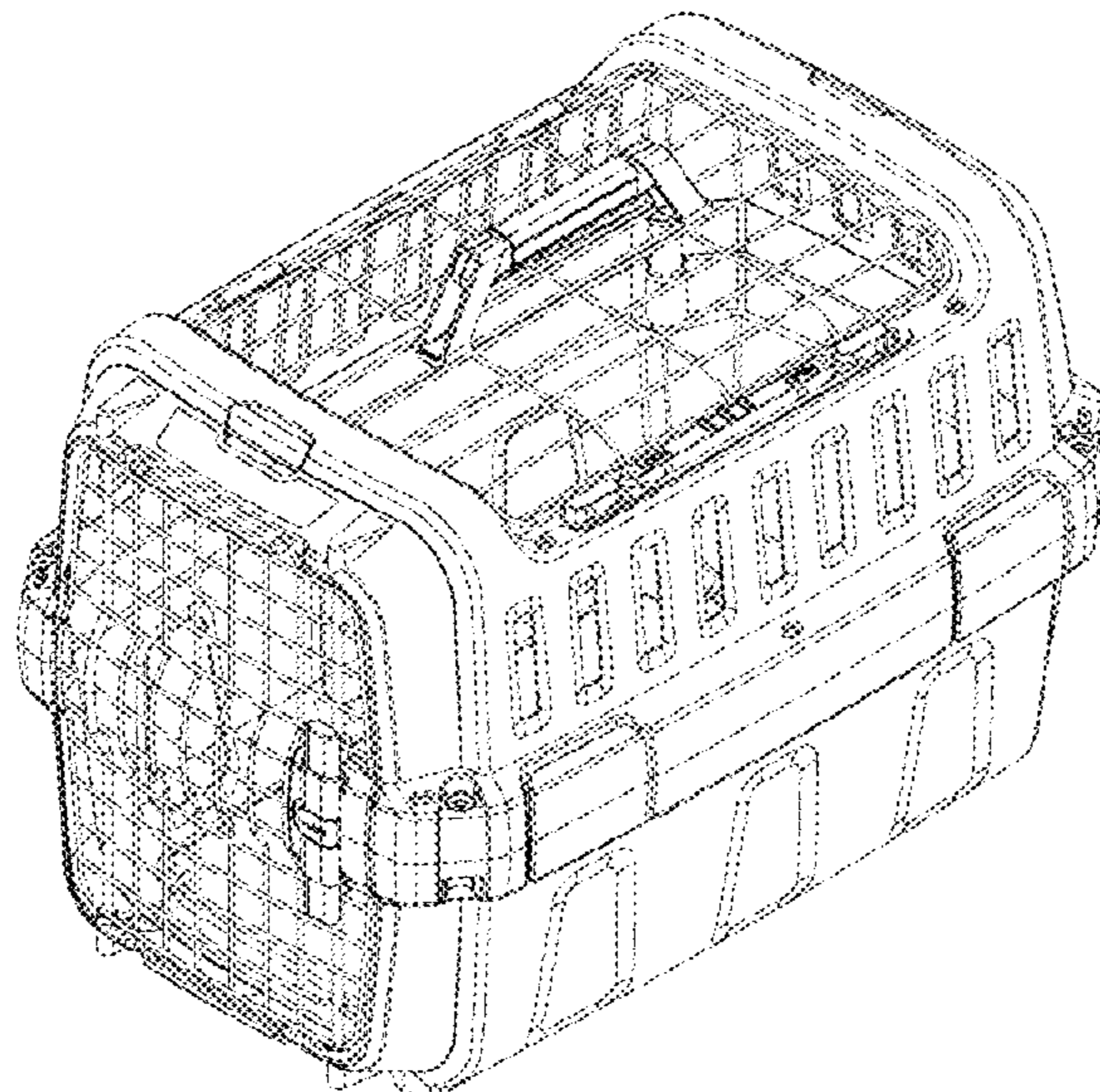
(57) **CLAIM**

The ornamental design for a transport container for animals, as shown and described.

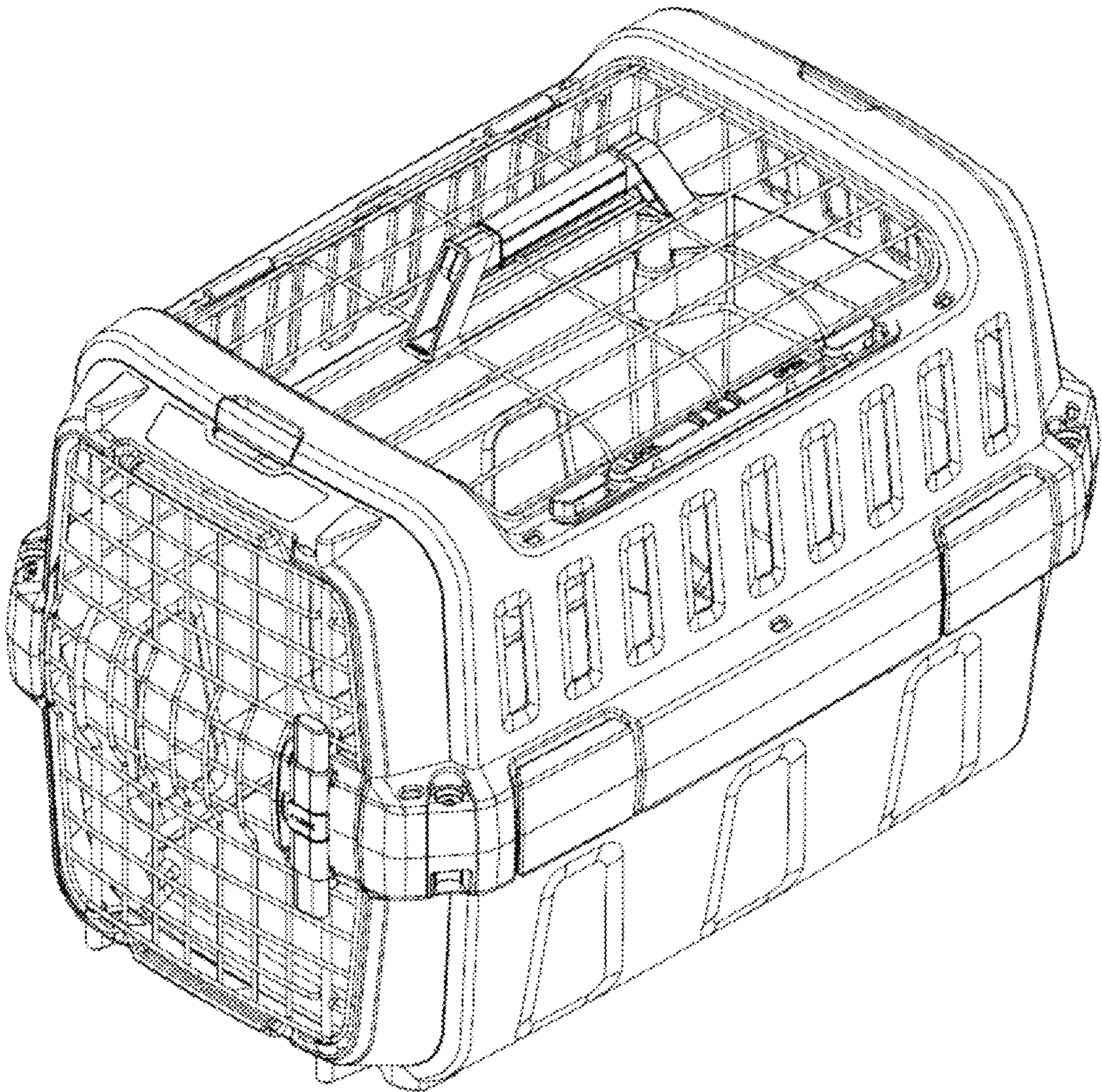
DESCRIPTION

- 1.1:** Top, front, left perspective view
- 1.2:** Top plan view
- 1.3:** Front elevation view
- 1.4:** Left side view
- 1.5:** Top, front, left perspective view, shown in a first configuration and exploded for clarity of disclosure
- 1.6:** Bottom, front, right perspective view, shown in a second configuration

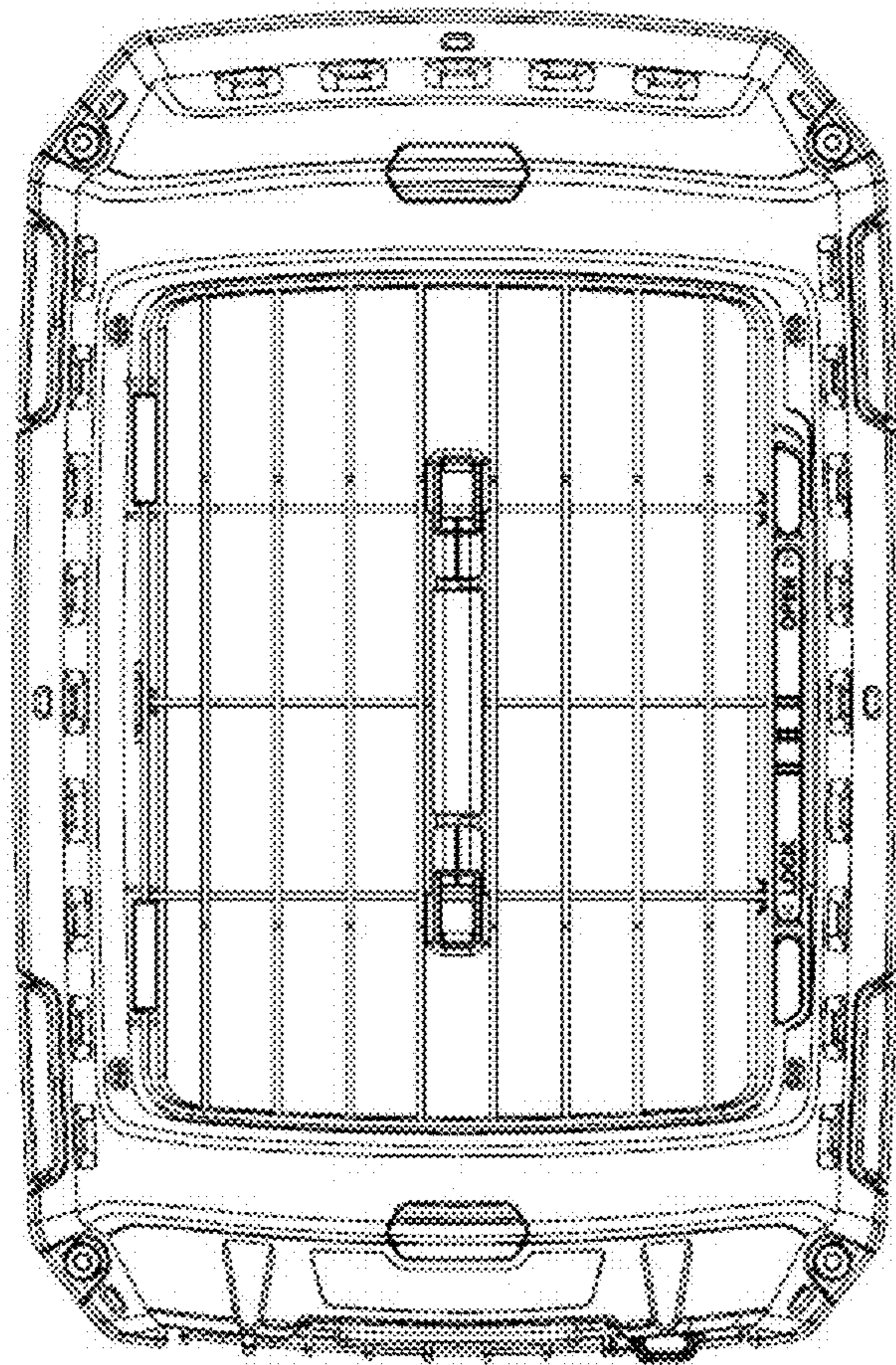
1 Claim, 6 Drawing Sheets



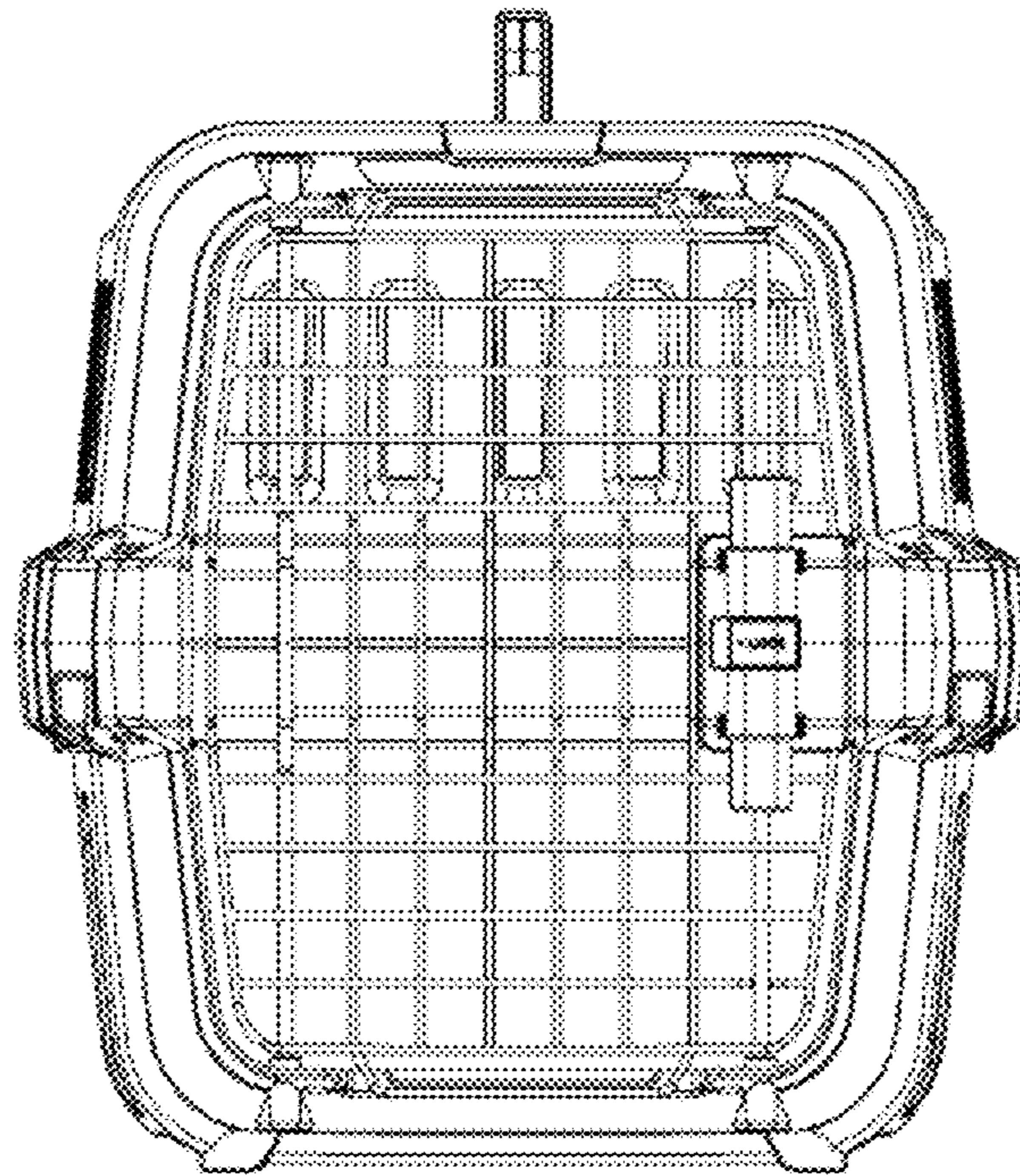
1.1



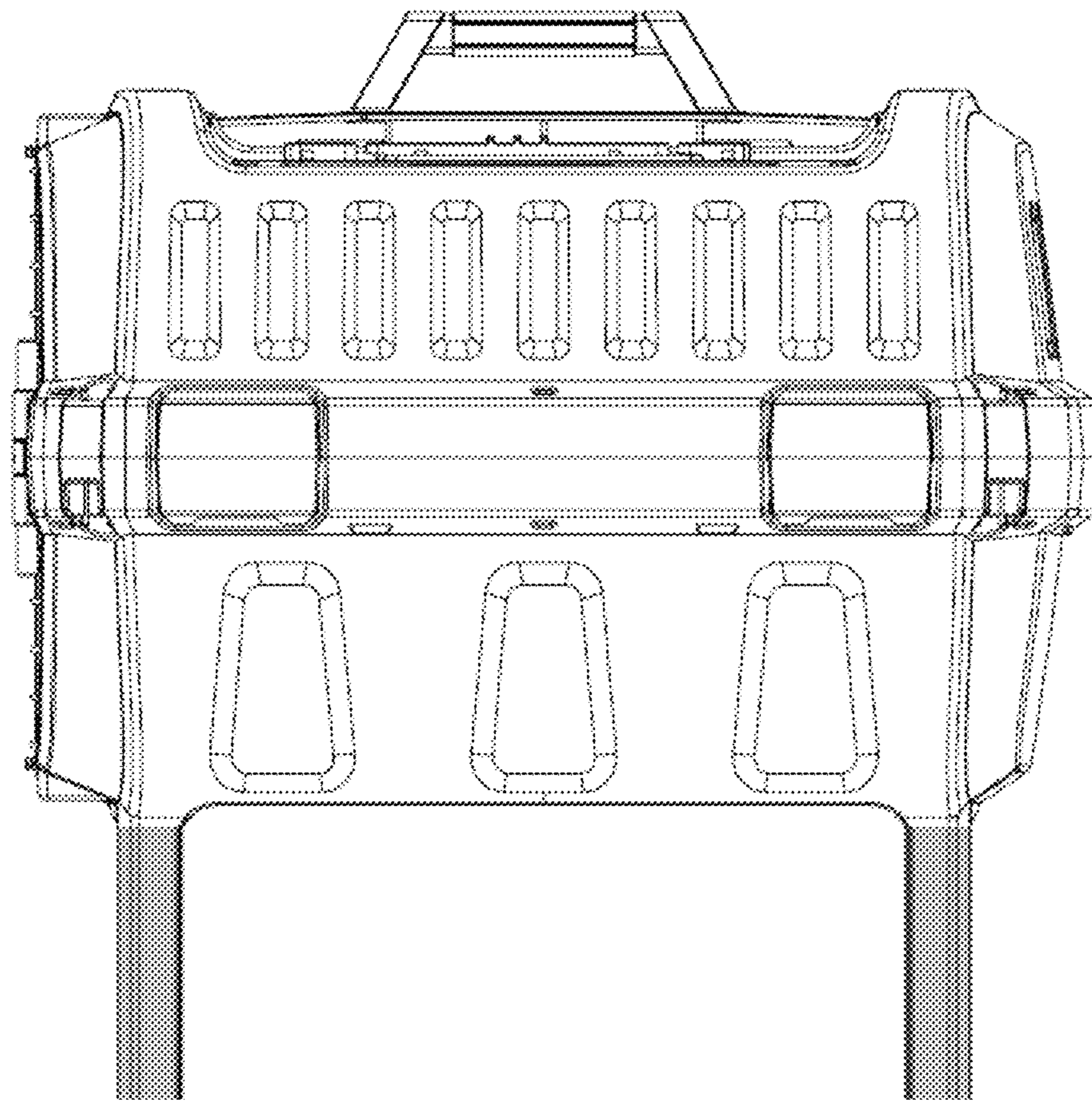
1.2



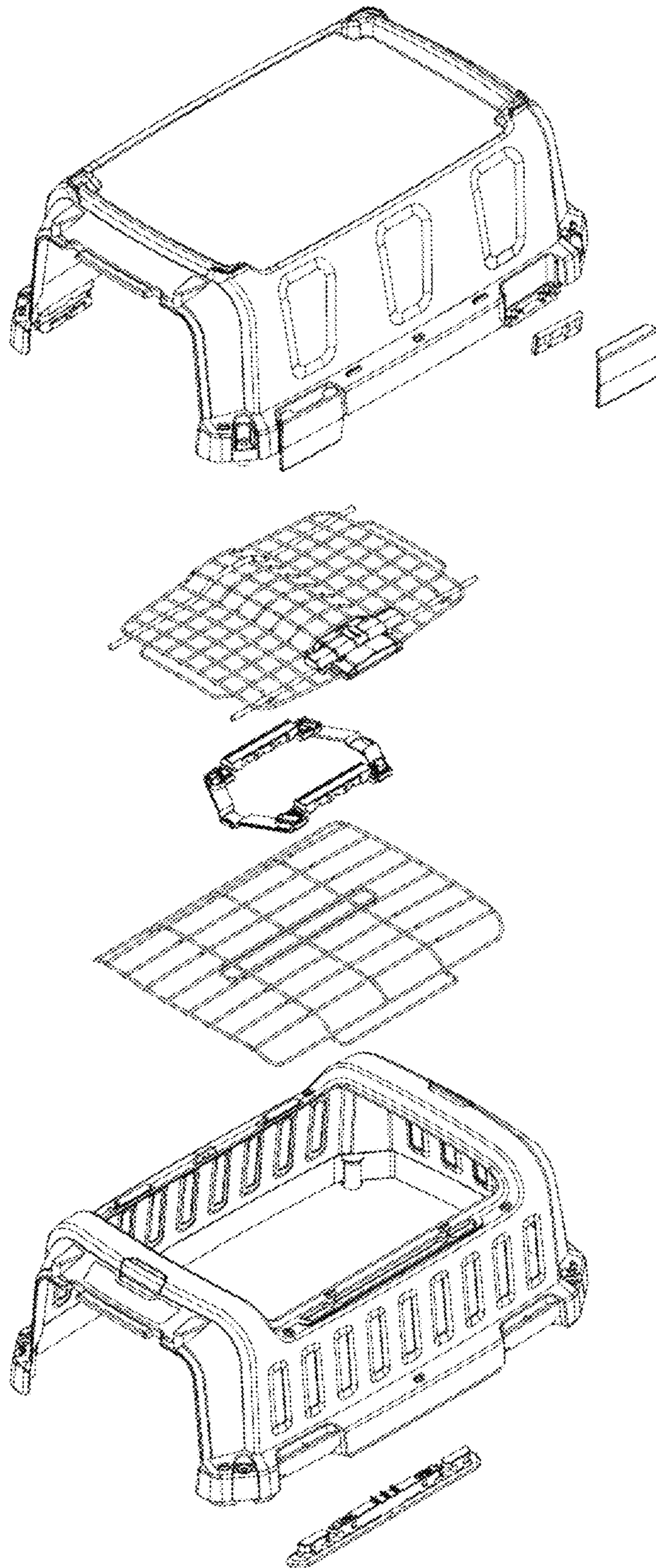
1.3



1.4



1.5



1.6

