



US00D884283S

(12) **United States Design Patent**  
**Frymire**

(10) **Patent No.:** **US D884,283 S**

(45) **Date of Patent:** **\*\* May 12, 2020**

(54) **PAIR OF MAKEUP CASES**

(71) Applicant: **Kimberly Ann Frymire**, Jobstown, NJ  
(US)

(72) Inventor: **Kimberly Ann Frymire**, Jobstown, NJ  
(US)

(\*\*) Term: **15 Years**

(21) Appl. No.: **29/609,343**

(22) Filed: **Jun. 29, 2017**

**Related U.S. Application Data**

(63) Continuation-in-part of application No. 29/533,149,  
filed on Jul. 15, 2015.

(51) **LOC (12) Cl.** ..... **28-03**

(52) **U.S. Cl.**  
USPC ..... **D28/77**

(58) **Field of Classification Search**  
USPC ..... D28/8.1, 38, 56, 57, 58, 59, 61, 62,  
D28/73-75, 76-84; D19/75, 77; D6/349,  
D6/350, 397, 673, 675, 675.3, 685, 691  
CPC ..... A45C 11/00; A47B 81/00; A47G 29/08;  
A45D 31/00; A45D 2033/001; A45D  
33/003; A45D 33/006-008; A45D 33/22;  
A45D 33/24; A45D 33/26; A45D 33/28;  
A45D 34/00; A45D 34/06; A45D 40/24  
See application file for complete search history.

(56) **References Cited**

**U.S. PATENT DOCUMENTS**

- 1,683,851 A \* 9/1928 Wells ..... A45C 11/008  
132/315
- D209,182 S \* 11/1967 Buchner ..... D19/75
- 3,502,089 A \* 3/1970 Paradis ..... A45D 33/20  
132/294
- D228,419 S \* 9/1973 Bettonica ..... D28/78
- D254,151 S \* 2/1980 Wolff ..... D27/142

- D277,324 S \* 1/1985 Davey ..... D28/77
- D307,196 S \* 4/1990 McClure ..... D28/78
- D311,071 S \* 10/1990 Vanoncini ..... D28/77

(Continued)

**OTHER PUBLICATIONS**

Beauty Bullet by A1 Cosmetics, published on Dec. 7, 2017 on  
youtube.com, retrieved on Sep. 17, 2018, retrieved from the Internet  
URL: <https://www.youtube.com/watch?v=YKVPg2p19cw>.\*

*Primary Examiner* — Jennifer Rivard

*Assistant Examiner* — Alison M Ofstun

(74) *Attorney, Agent, or Firm* — Quickpatents, LLC;  
Kevin Prince

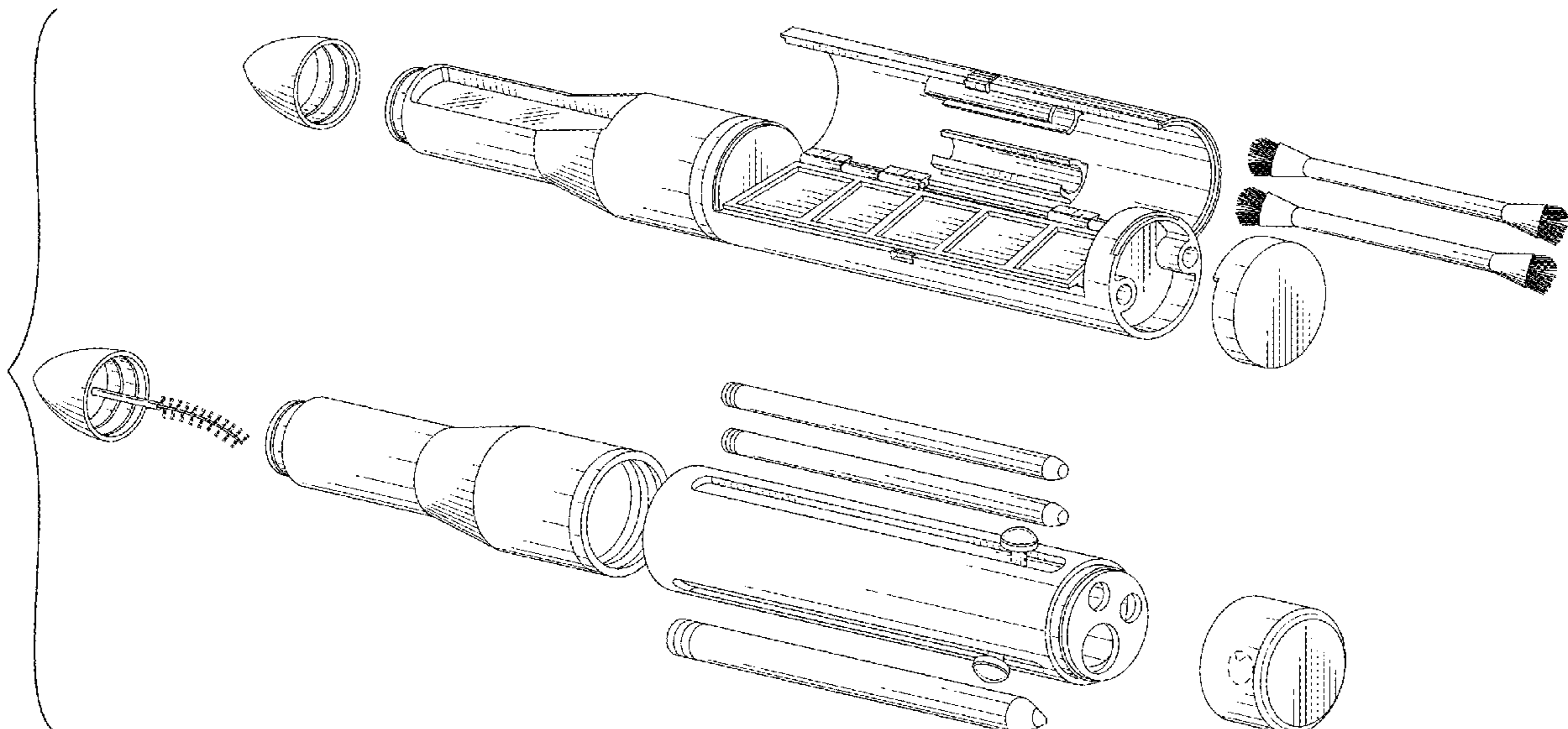
(57) **CLAIM**

I claim the ornamental design for a pair of makeup cases, as  
shown and described.

**DESCRIPTION**

FIG. 1 is an exploded rear perspective view of a pair of  
makeup cases, showing my new design;  
FIG. 2 is an exploded front perspective view thereof;  
FIG. 3 is an exploded front elevational view thereof;  
FIG. 4 is an exploded rear elevational view thereof;  
FIG. 5 is an exploded top plan view thereof;  
FIG. 6 is an exploded bottom plan view thereof;  
FIG. 7 is an exploded right-side elevational view thereof;  
FIG. 8 is a left-side elevational view thereof;  
FIG. 9 is a front perspective view thereof;  
FIG. 10 is a rear perspective view thereof;  
FIG. 11 is a front elevational view thereof;  
FIG. 12 is a rear elevational view thereof;  
FIG. 13 is a top plan view thereof;  
FIG. 14 is a bottom plan view thereof;  
FIG. 15 is a right-side elevational view thereof; and,  
FIG. 16 is a left-side elevational view thereof.  
The broken lines in the drawings represent portions of the  
pair of makeup cases that form no part of the claimed design.

**1 Claim, 14 Drawing Sheets**



(56)

**References Cited**

U.S. PATENT DOCUMENTS

5,513,754	A *	5/1996	Chang .....	A45C 11/008 132/296
5,715,848	A *	2/1998	Conley, Jr. ....	A45C 11/008 132/297
6,408,857	B1 *	6/2002	Neuner .....	A45D 40/265 132/218
6,450,179	B2 *	9/2002	Bengis .....	A45D 40/18 132/297
D533,310	S *	12/2006	Kuo .....	D28/76
D534,690	S *	1/2007	Bouix .....	D28/76
D610,310	S *	2/2010	Helenowski .....	D28/76
8,156,949	B2 *	4/2012	Albert .....	A45D 33/26 132/297
9,095,199	B2 *	8/2015	Chen .....	A45D 40/26
D745,742	S *	12/2015	Betts .....	D28/7
D751,254	S *	3/2016	Golding .....	D28/76
9,738,113	B2 *	8/2017	Tani .....	B43K 24/163
9,867,444	B1 *	1/2018	Liu .....	A45D 34/042
10,010,152	B2 *	7/2018	Chan .....	A45D 34/046
2017/0013941	A1 *	1/2017	Frymire .....	A45D 40/261

\* cited by examiner

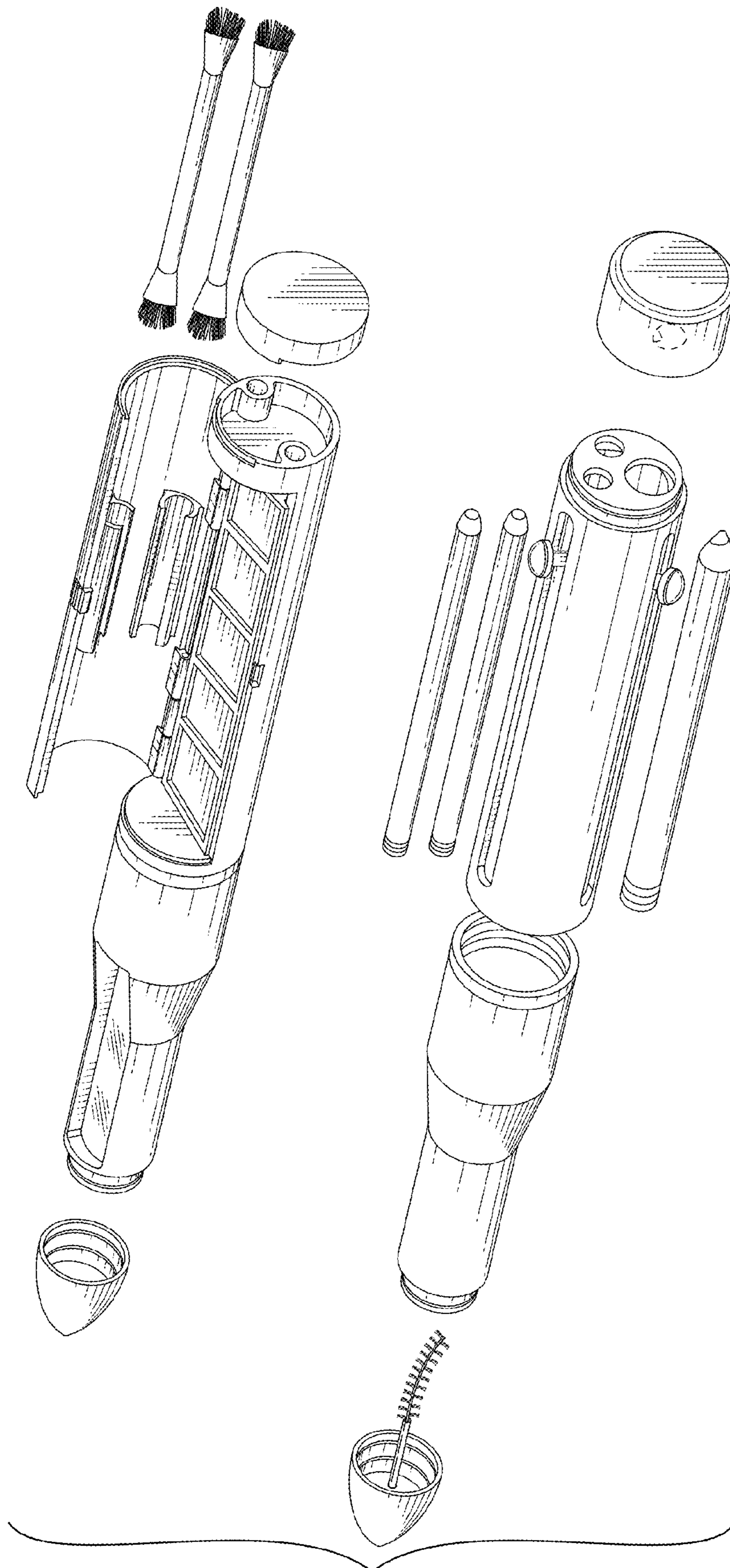


FIG. 1

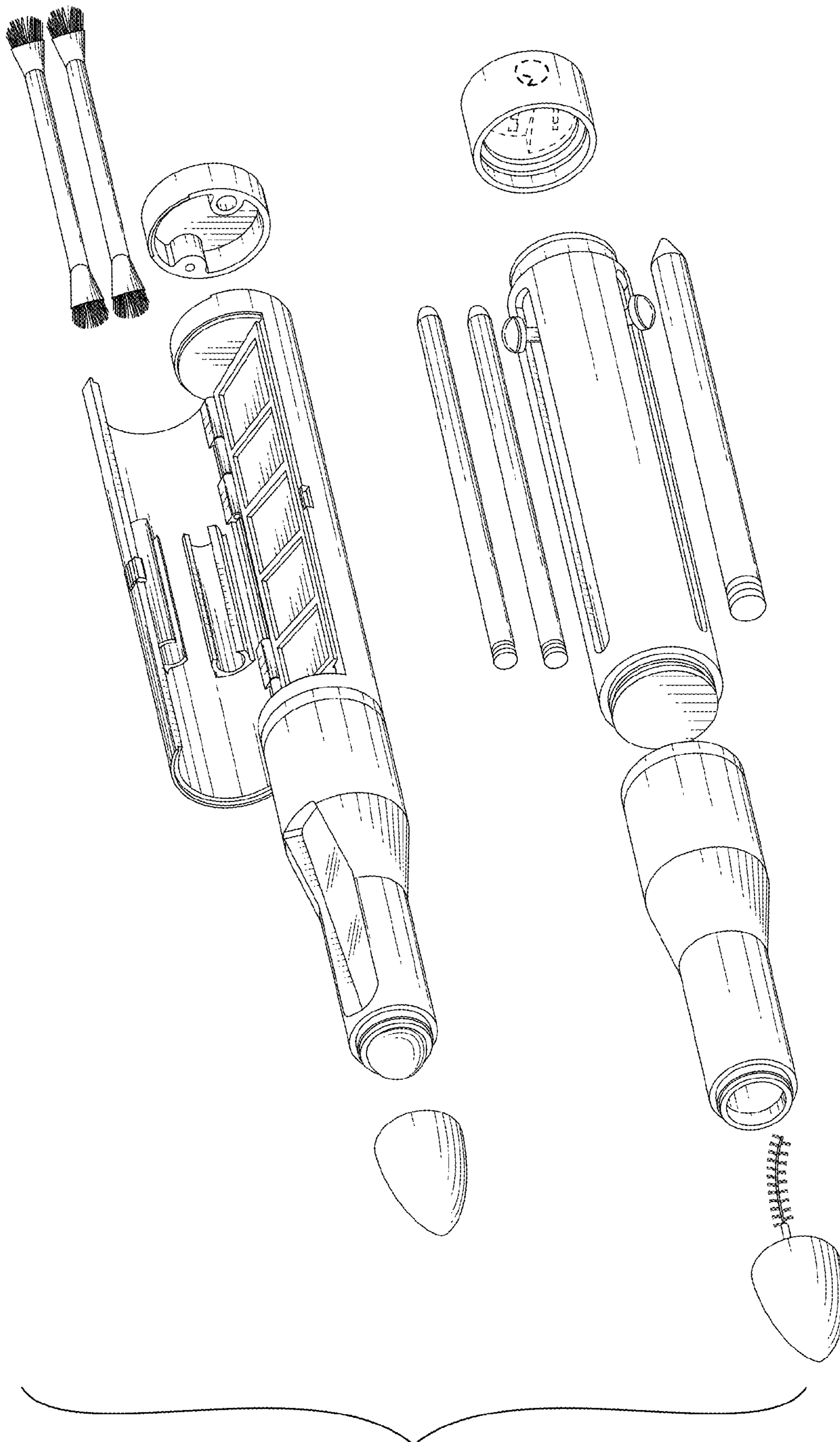


FIG. 2

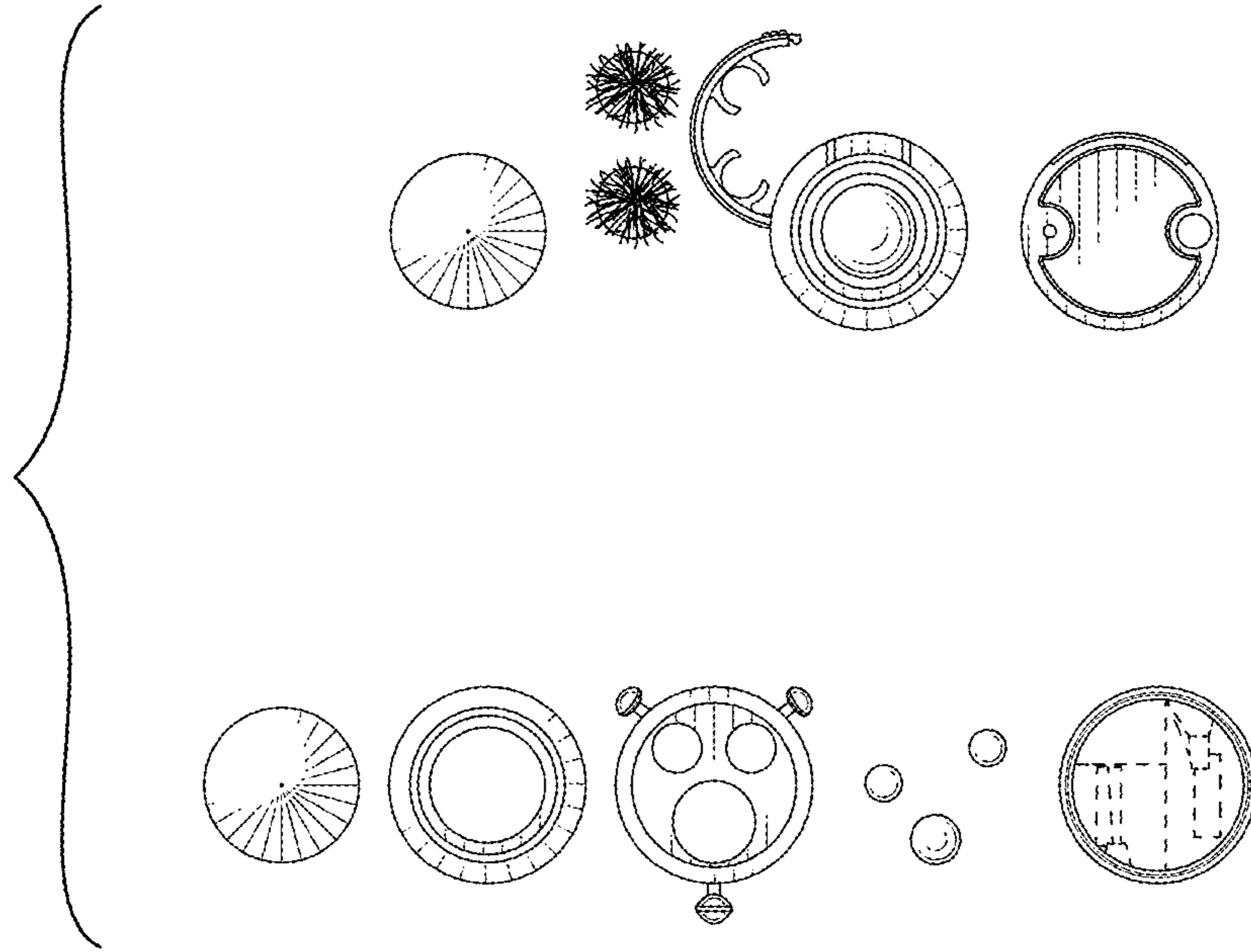


FIG. 3

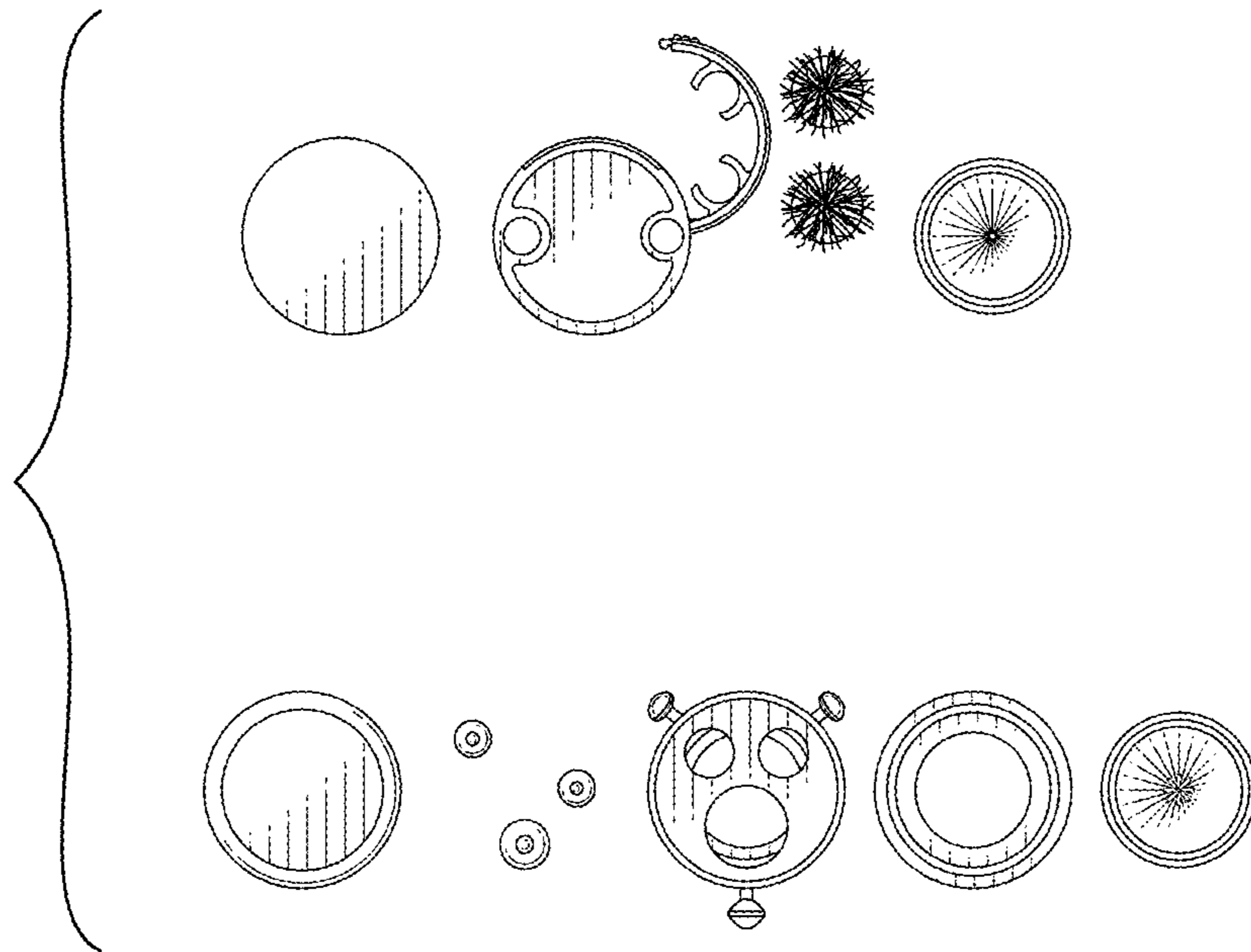


FIG. 4

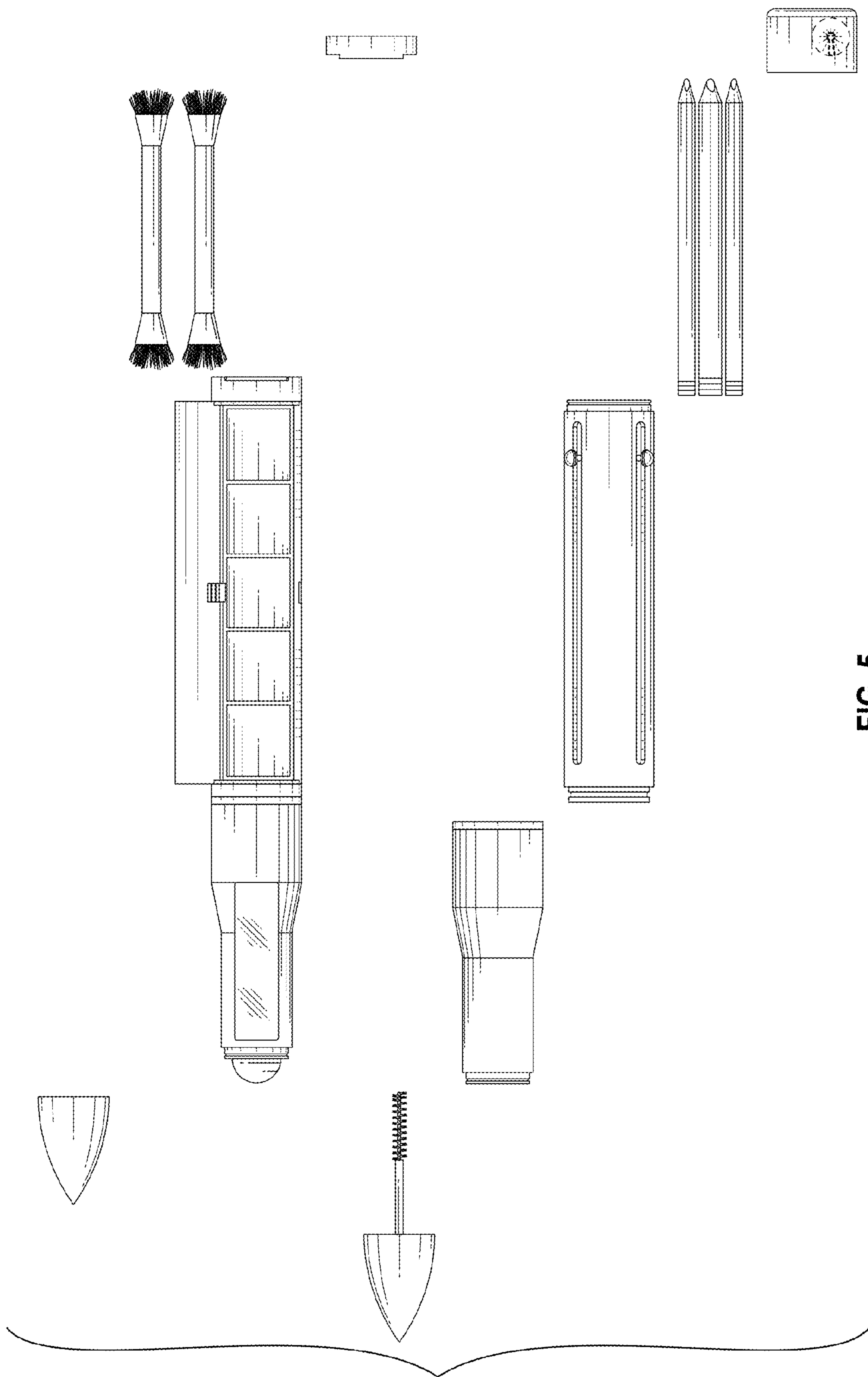


FIG. 5

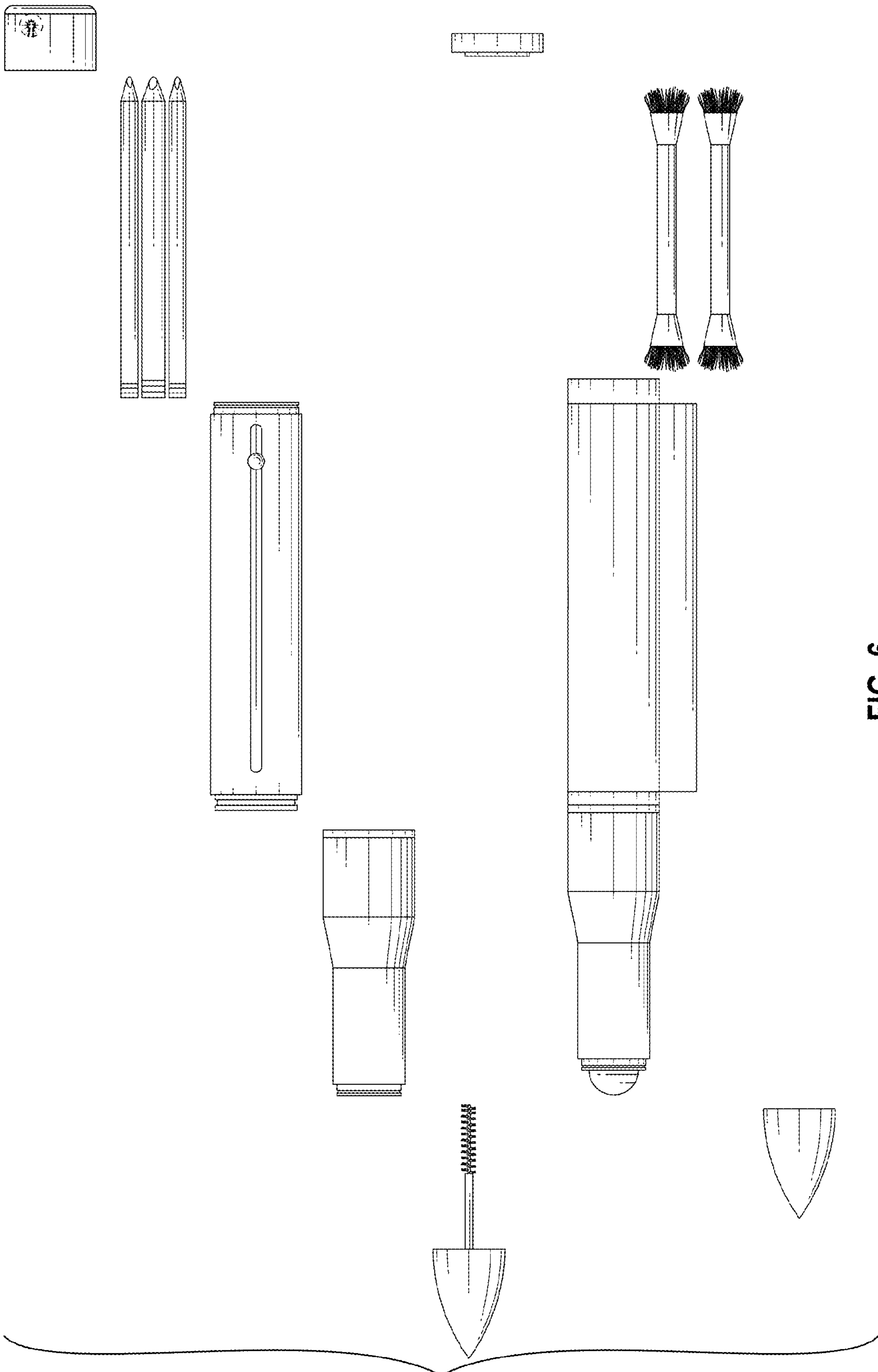


FIG. 6

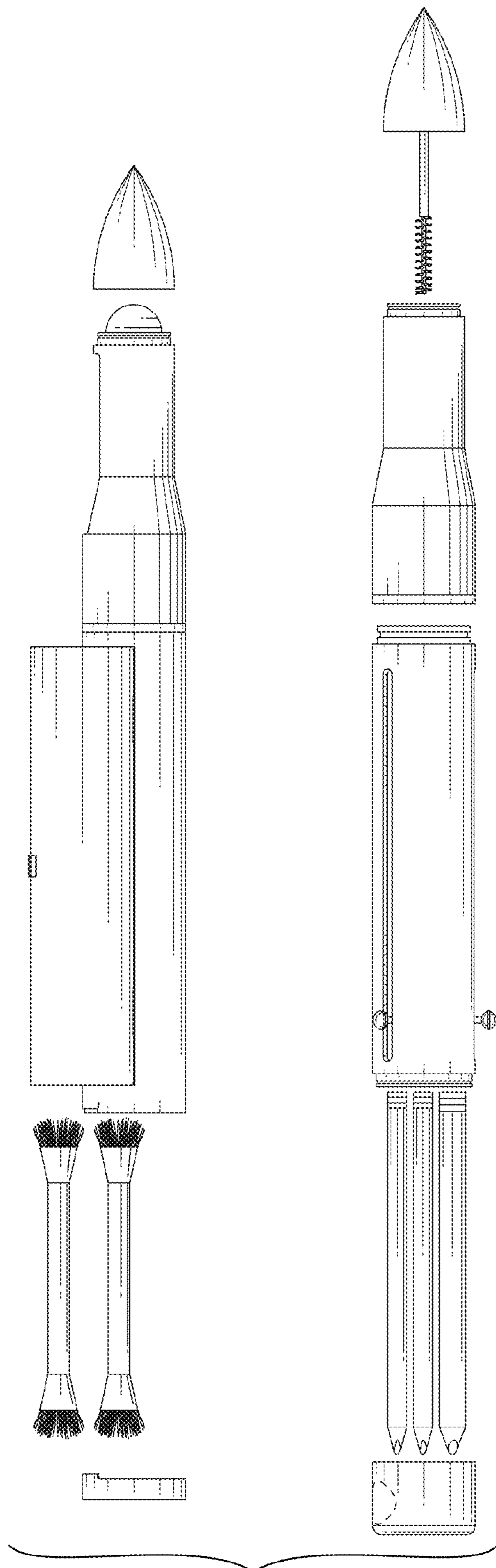


FIG. 7



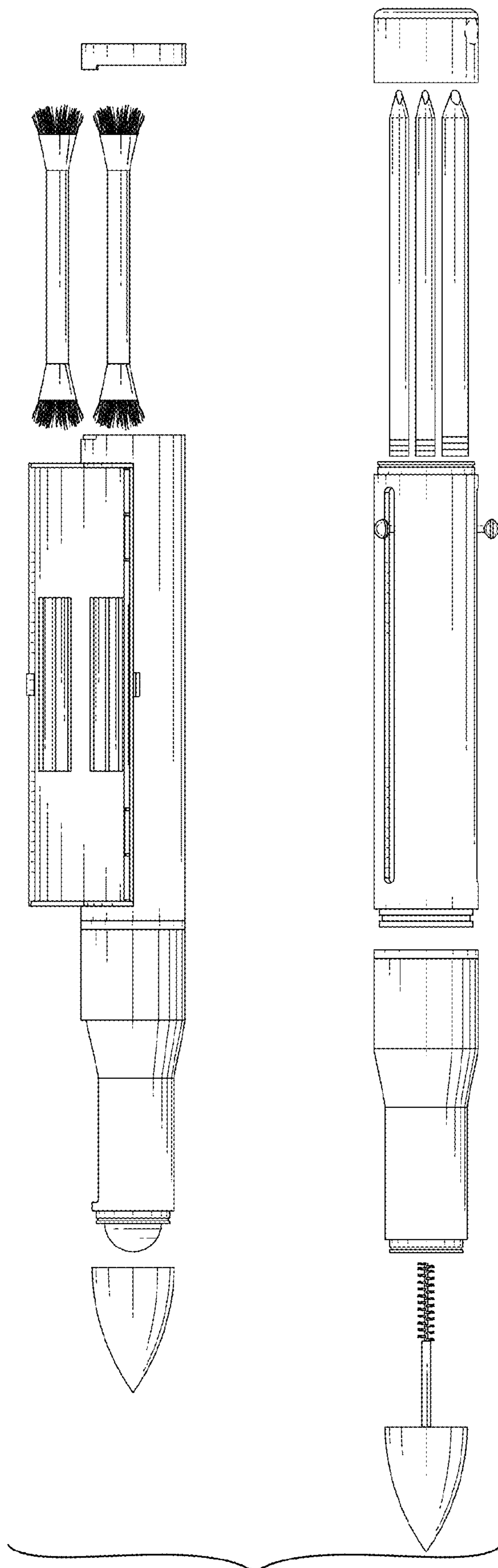


FIG. 8

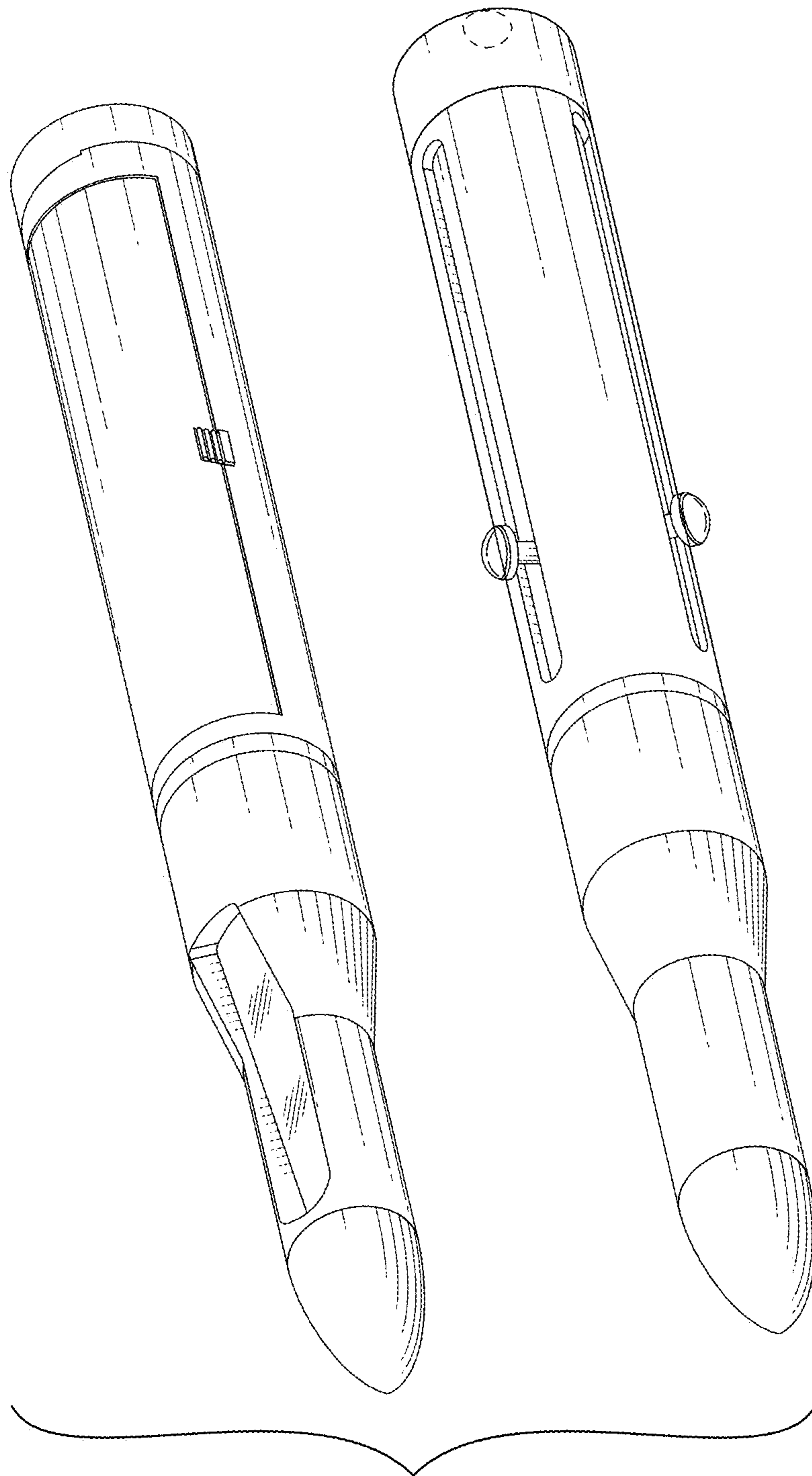


FIG. 9

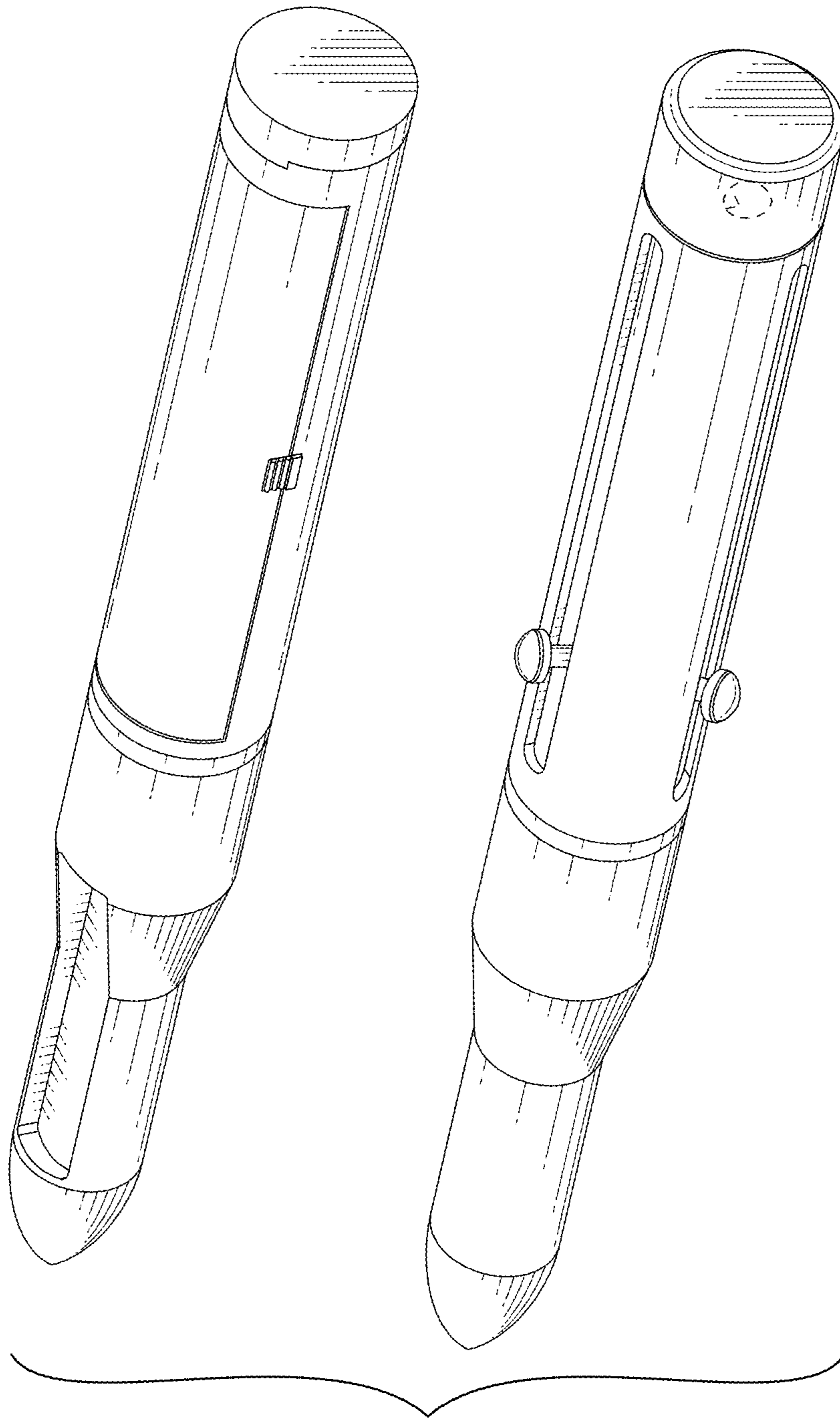


FIG. 10

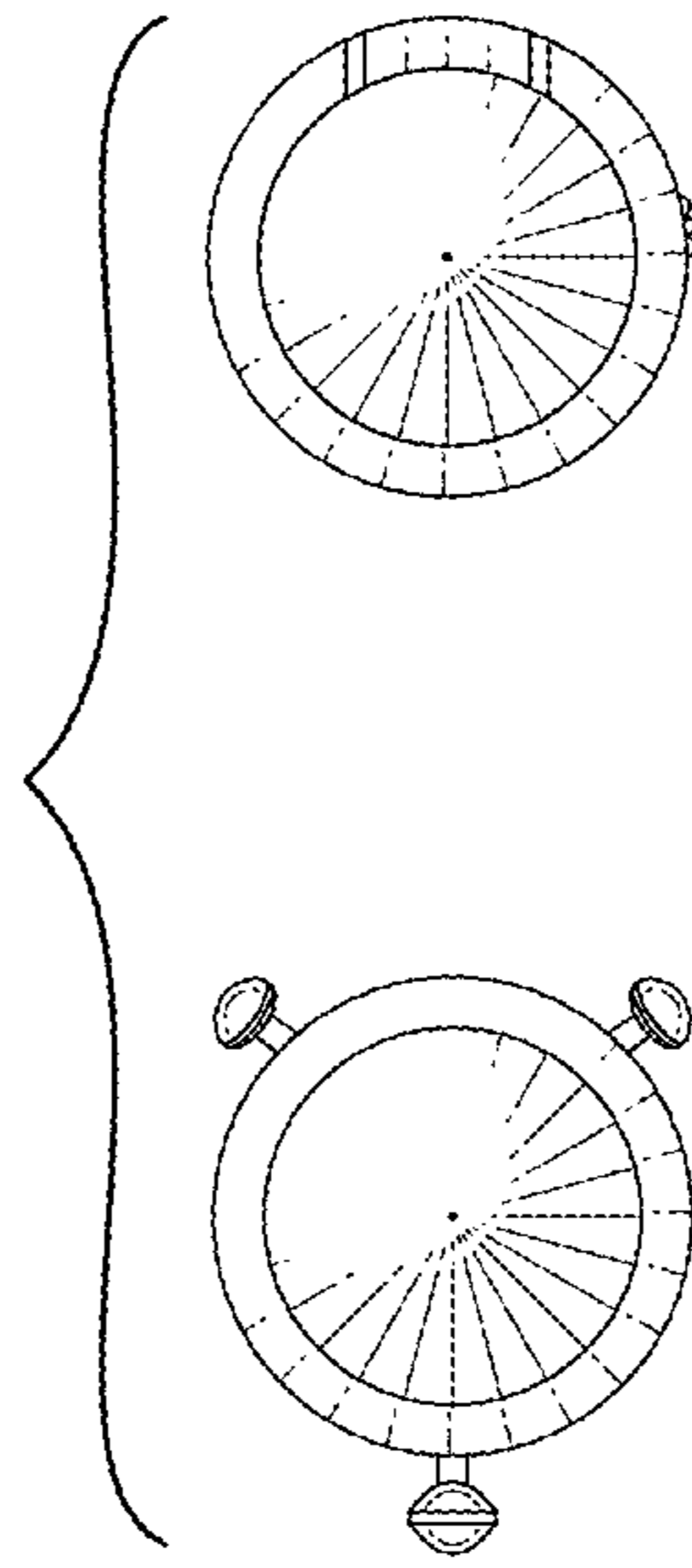


FIG. 11

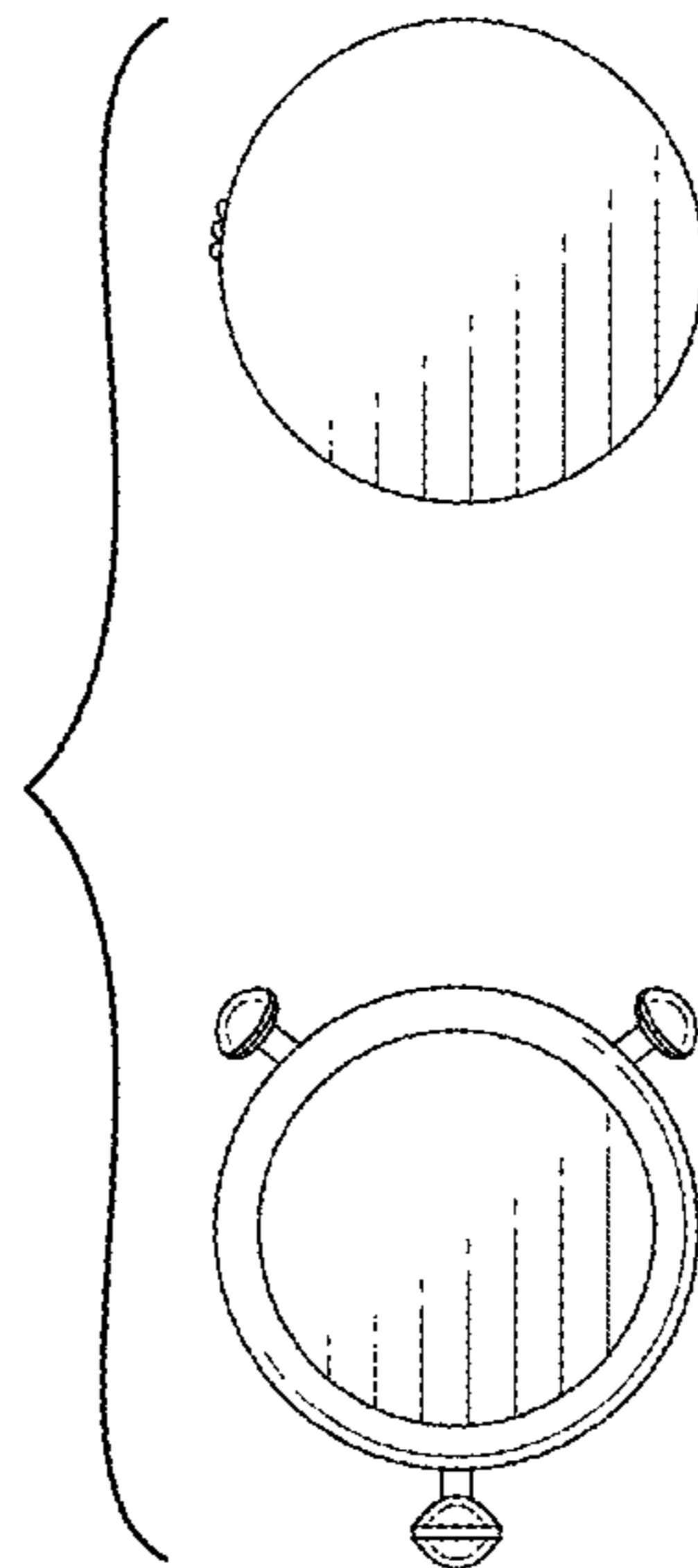


FIG. 12

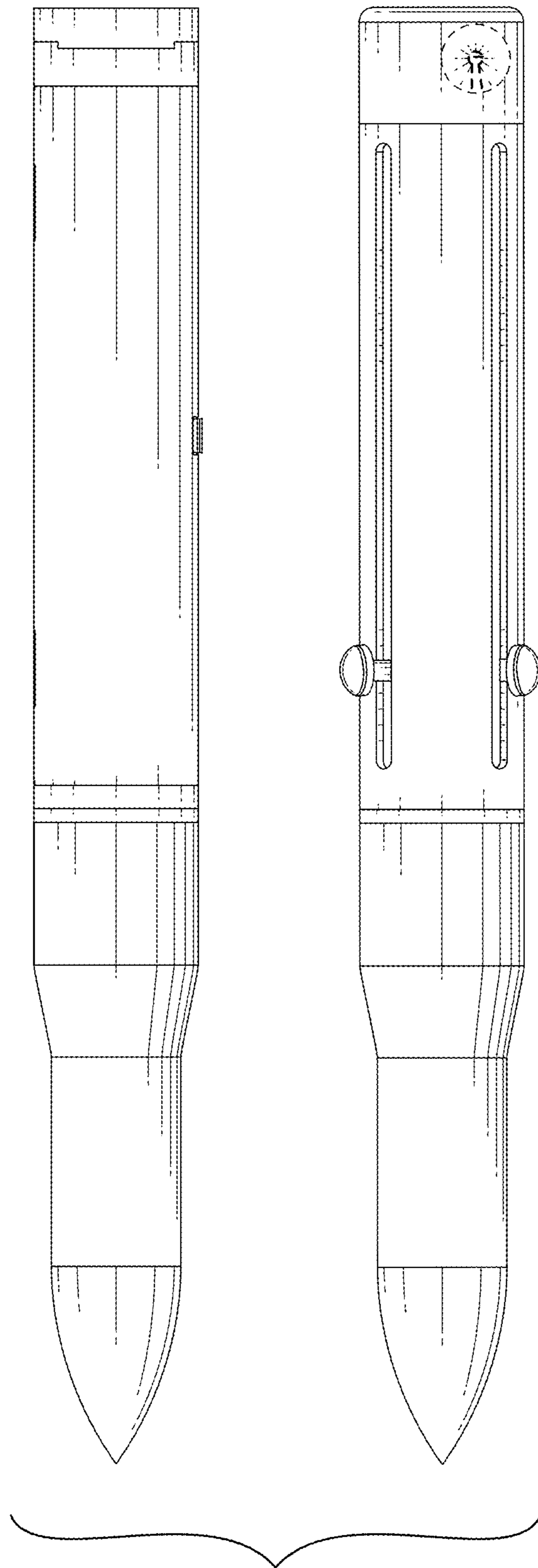


FIG. 13

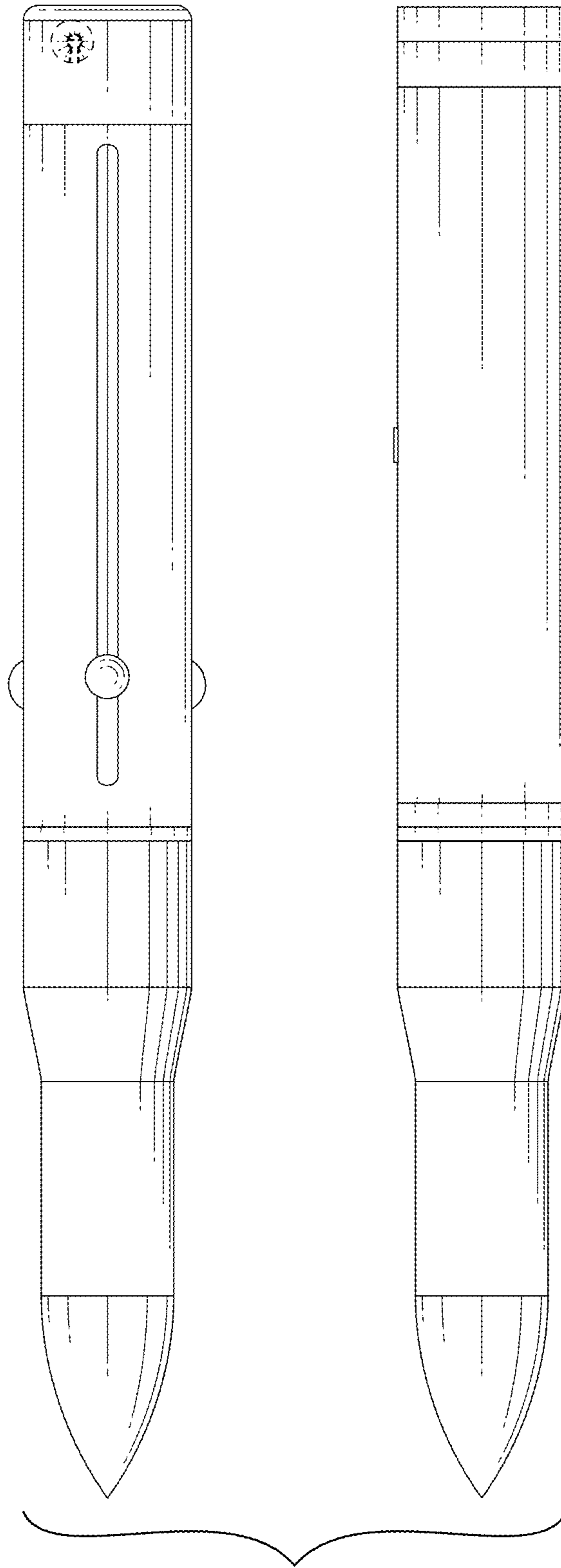


FIG. 14

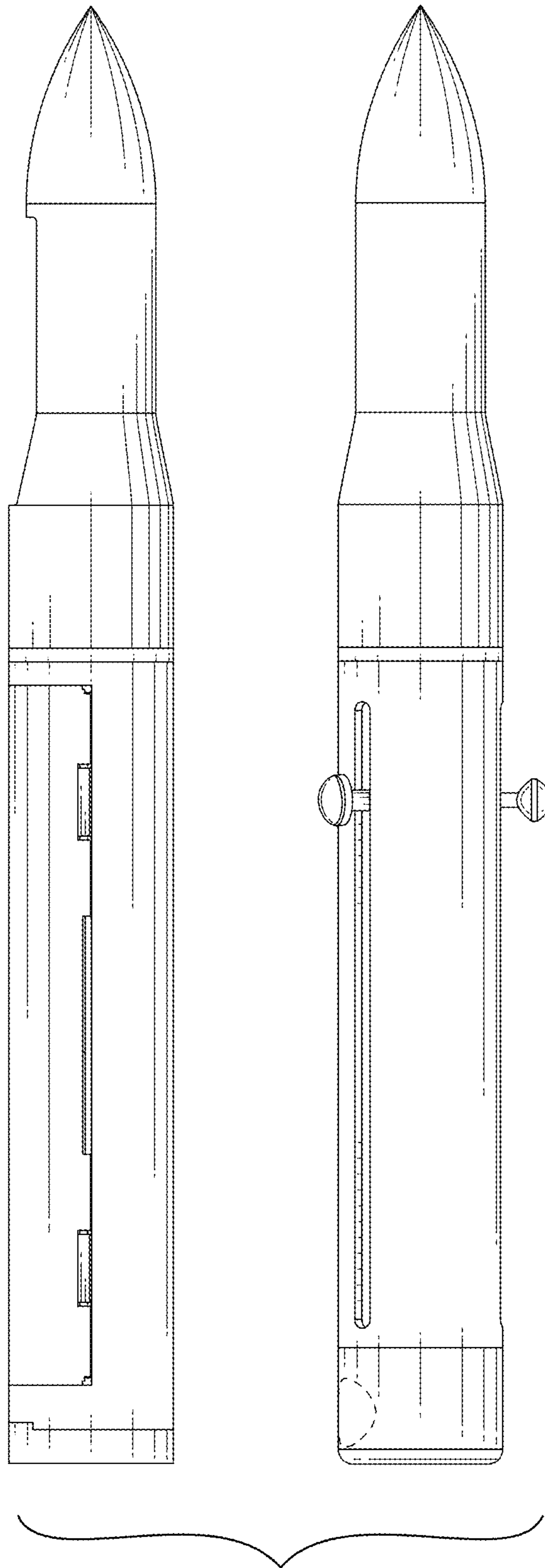


FIG. 15

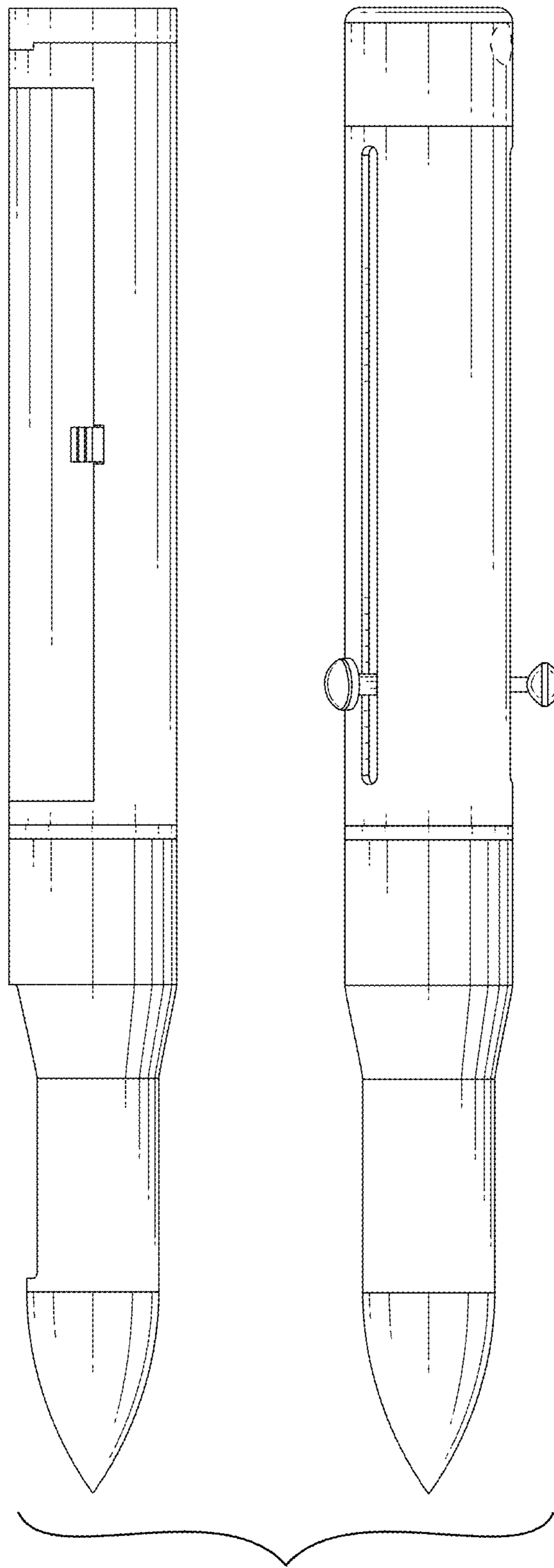


FIG. 16