



US00D884282S

(12) **United States Design Patent**
Jung

(10) **Patent No.:** **US D884,282 S**

(45) **Date of Patent:** **** May 12, 2020**

(54) **COSMETIC CONTAINER**

(71) Applicant: **YONWOO CO., LTD.**, Incheon (KR)

(72) Inventor: **Hyo-Sun Jung**, Incheon (KR)

(73) Assignee: **YONWOO CO., LTD.**, Incheon (KR)

(**) Term: **15 Years**

(21) Appl. No.: **29/638,613**

(22) Filed: **Feb. 28, 2018**

(30) **Foreign Application Priority Data**

Aug. 30, 2017 (KR) 30-2017-0040499

(51) **LOC (12) Cl.** **28-03**

(52) **U.S. Cl.**
USPC **D28/76; D9/503**

(58) **Field of Classification Search**
USPC D28/4, 76, 77, 82, 83, 85-90; D9/436,
D9/503, 504, 529, 556, 727, 745;
D24/115; D4/114, 116
CPC A45D 34/04; A45D 40/00; A45D 40/02;
A45D 40/18; A45D 40/26; A45D 40/262;
A45D 33/00; A45D 33/14; A45D 34/06;
A45D 34/041; A45D 2200/053; A45D
2200/058; B01L 3/0272; B01L 3/0282
See application file for complete search history.

(56) **References Cited**

U.S. PATENT DOCUMENTS

- 2,742,195 A * 4/1956 Elder, Jr. B01L 3/0282
141/24
- 4,286,633 A * 9/1981 Herr B65D 50/041
141/24
- D306,831 S * 3/1990 Chevassus D9/436
- D406,889 S * 3/1999 Hesson D24/115
- D567,094 S * 4/2008 Bickert D9/529
- D616,703 S * 6/2010 Joy D7/507
- D687,711 S * 8/2013 DeMarco D9/504
- D703,053 S * 4/2014 Park D9/503

- D738,220 S * 9/2015 Rohit D9/553
- 9,167,881 B2 * 10/2015 Mehta A45D 34/045
- D756,226 S * 5/2016 In D9/504
- 9,351,556 B2 * 5/2016 Kim A45D 34/04
- D767,209 S * 9/2016 Medioni D28/76
- D805,904 S * 12/2017 Kim D9/503
- D828,164 S * 9/2018 Kim D9/503

(Continued)

OTHER PUBLICATIONS

Premium Beauty News, Cosmoprof & Cosmopack announce the winners of their 2018 awards, article published Mar. 20, 2018, retrieved on Feb. 26, 2019, retrieved from the Internet URL: <http://www.premiumbeautynews.com/en/cosmoprof-cosmopack-announce-the,13115>.*

Primary Examiner — Jennifer Rivard

Assistant Examiner — Alison M Ofstun

(74) *Attorney, Agent, or Firm* — Marshall, Gerstein & Borun LLP

(57) **CLAIM**

The ornamental design for a cosmetic container, as shown and described.

DESCRIPTION

FIG. 1 is a front, top, and right-side isometric view of a cosmetic container, showing the new design.

FIG. 2 is a front elevation view.

FIG. 3 is a right-side elevation view.

FIG. 4 is a back elevation view.

FIG. 5 is a left-side side elevation view.

FIG. 6 is an enlarged top plan view.

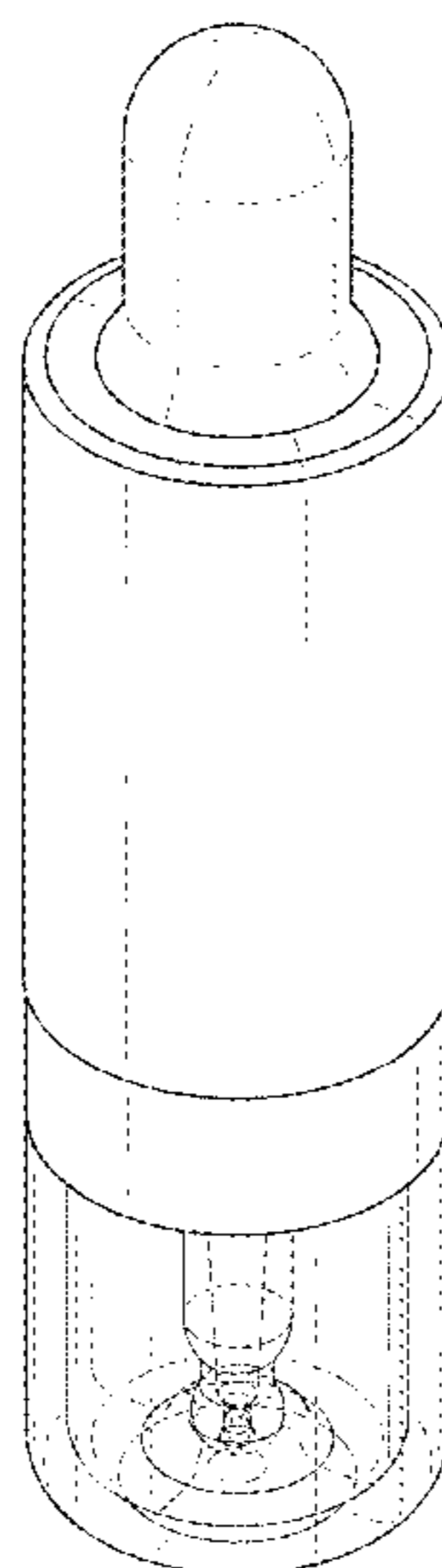
FIG. 7 is an enlarged bottom plan view; and,

FIG. 8 is an exploded view.

The cap portion of the of the container is transparent, permitting interior elements to be visible.

In the drawings, the broken lines illustrate environmental subject matter only and form no part of the claimed design.

1 Claim, 5 Drawing Sheets



(56)

References Cited

U.S. PATENT DOCUMENTS

D836,002 S * 12/2018 Kim D9/723
2006/0118582 A1* 6/2006 Hsu-Yeh B01L 3/0272
222/420
2014/0209206 A1* 7/2014 Wang B01L 3/0282
141/24
2016/0166046 A1* 6/2016 Hwang B65D 81/3255
206/221
2017/0006999 A1* 1/2017 Moon A45D 34/04
2017/0129661 A1* 5/2017 Van Tassell, III B65D 47/18

* cited by examiner

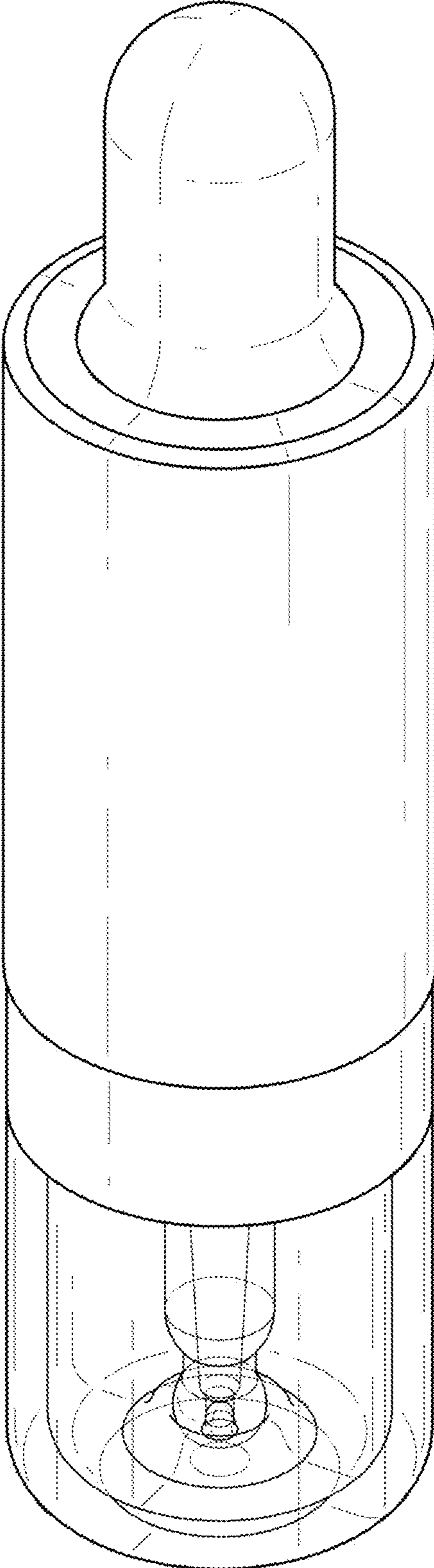


Fig. 1

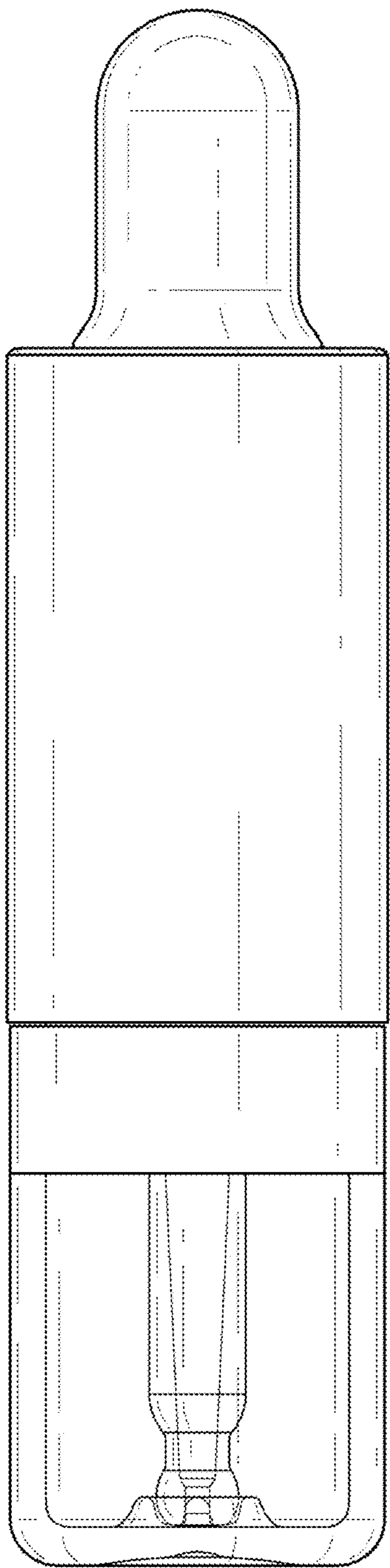


Fig. 2

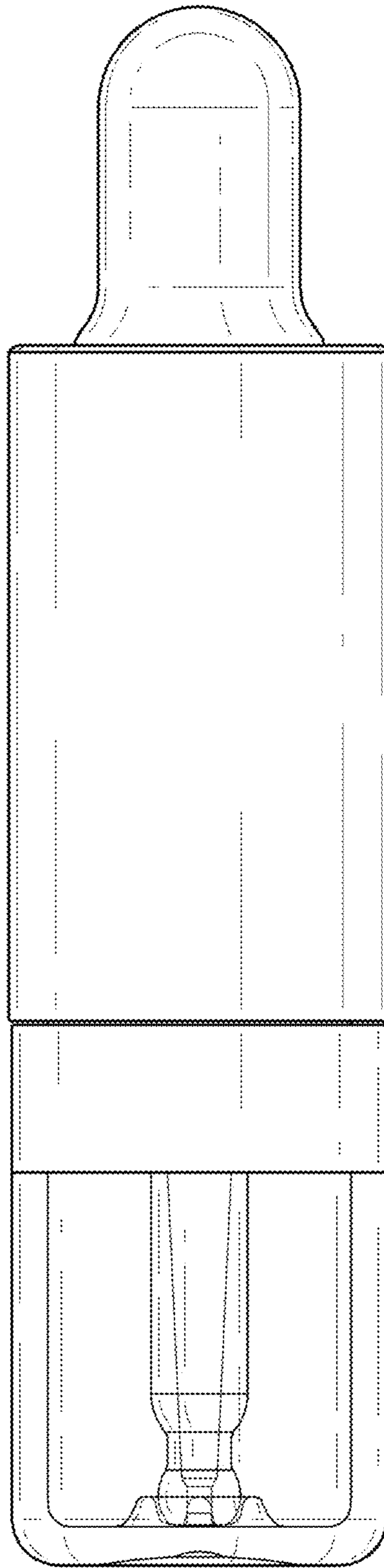


Fig. 3

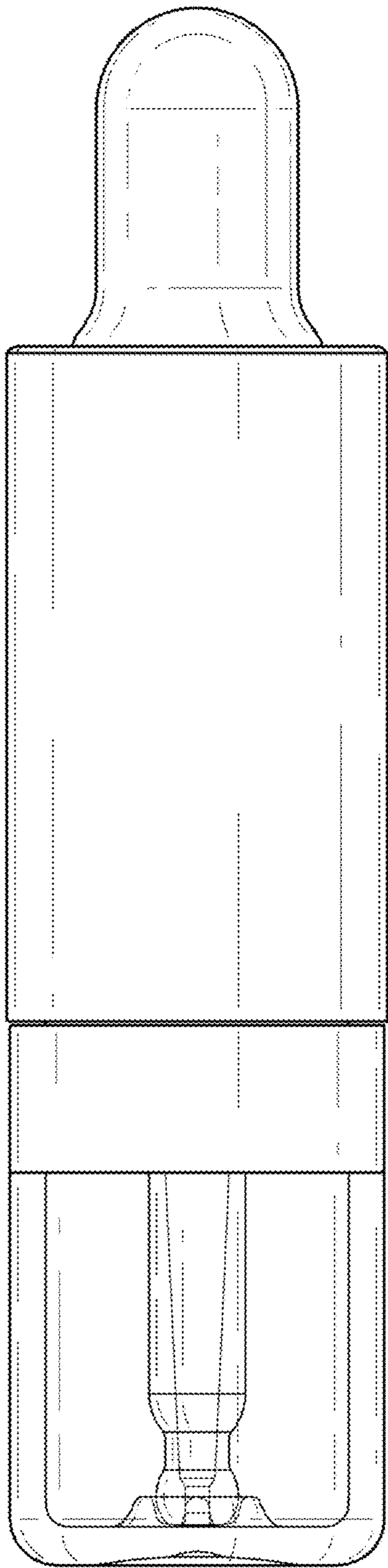


Fig. 4

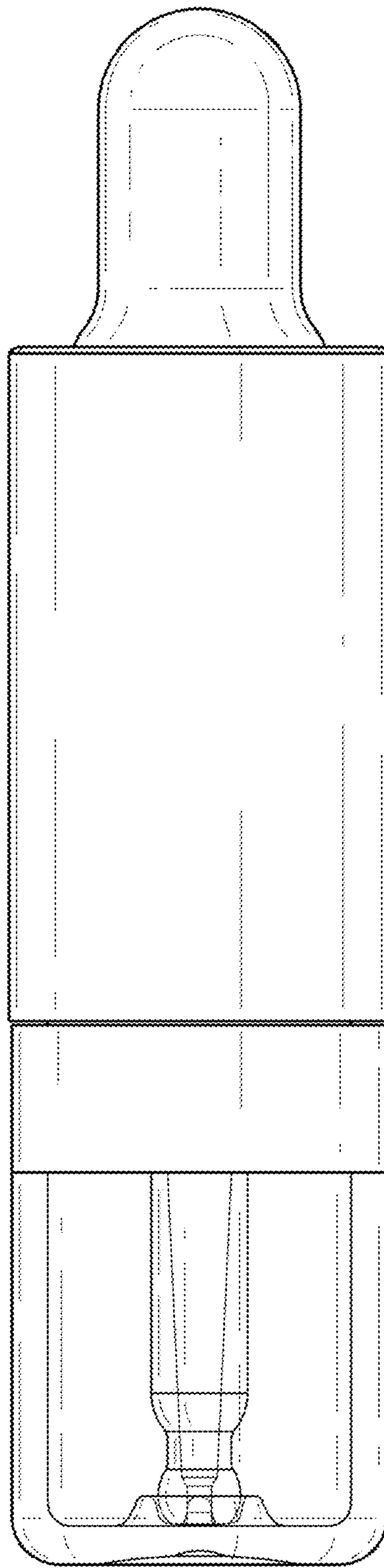


Fig. 5

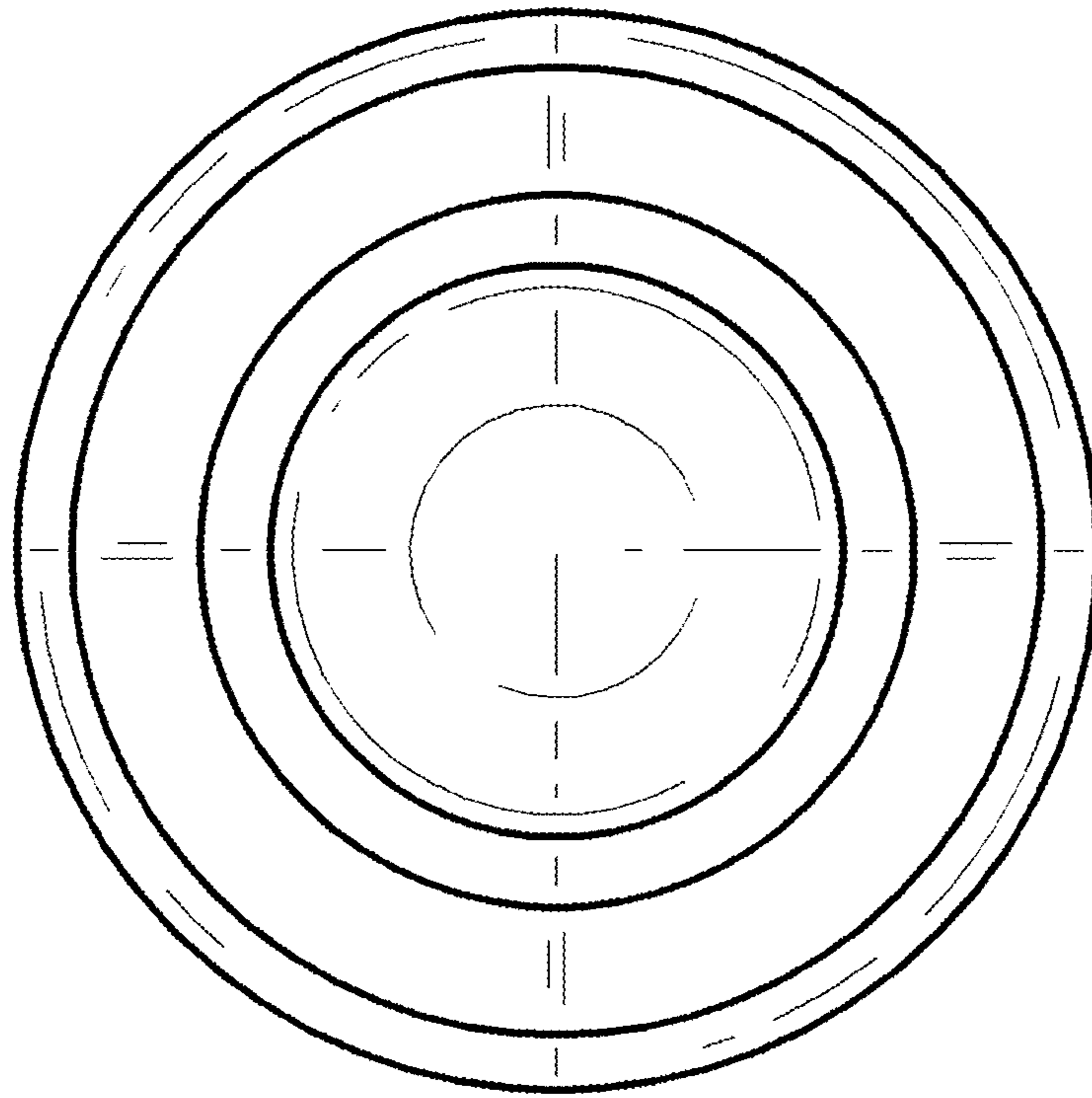


Fig. 6

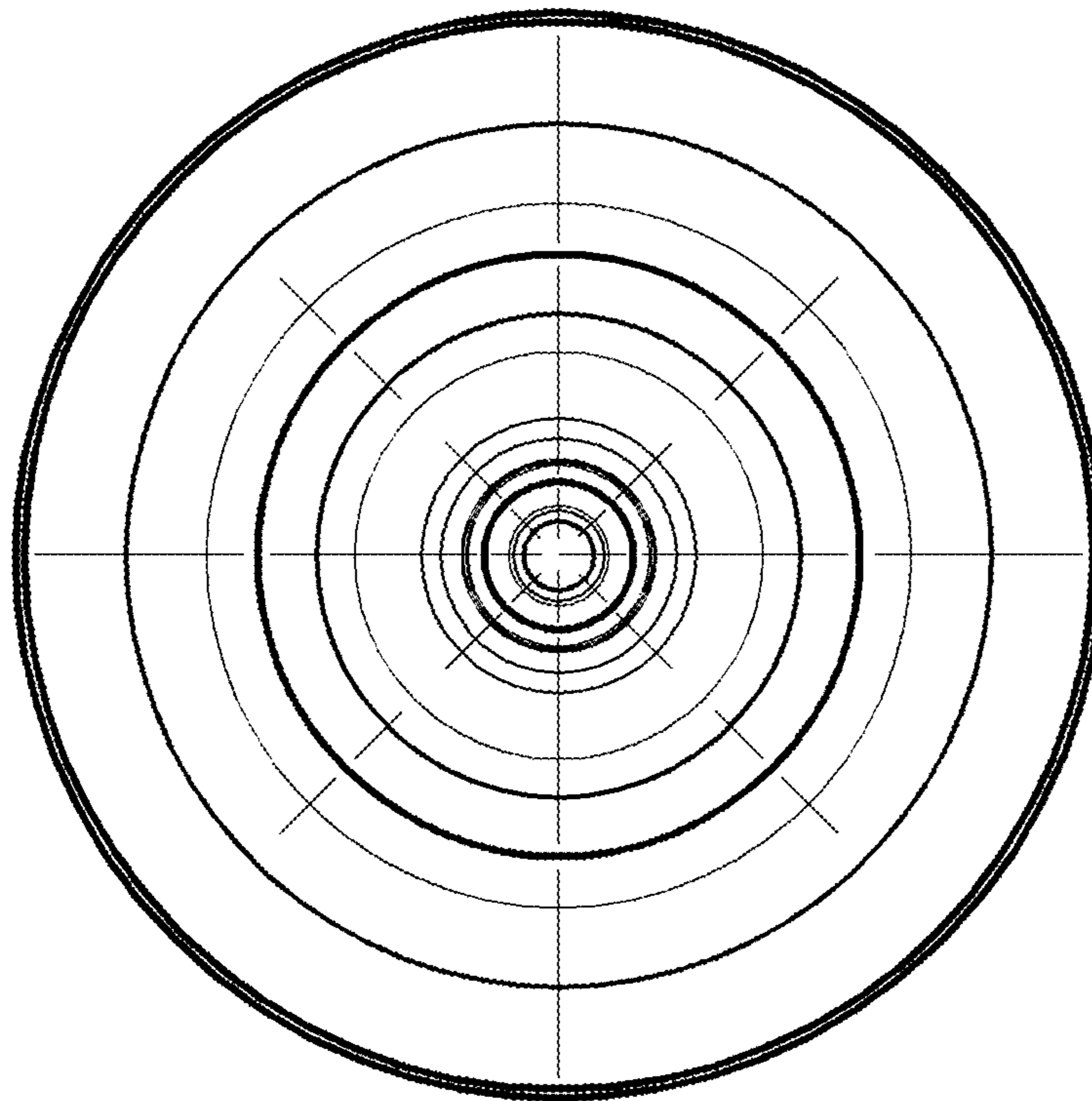


Fig. 7

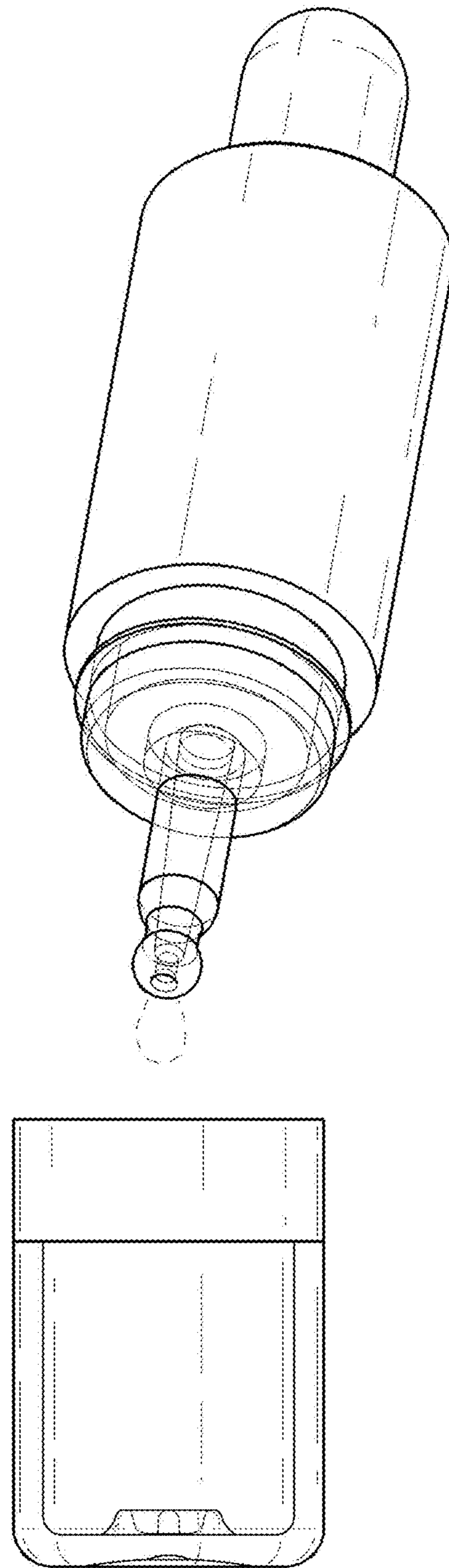


Fig. 8