



US00D884281S

(12) **United States Design Patent** (10) **Patent No.:** **US D884,281 S**
Pellereau et al. (45) **Date of Patent:** **** May 12, 2020**

(54) **MULTI COLLAR BRUSH HOLDER**

(71) Applicant: **Aventom Ltd**, Essex (GB)

(72) Inventors: **Thomas Pellereau**, St Albans (GB);
Lord Alan Michael Sugar, St Albans (GB)

(73) Assignee: **AVENTOM Ltd**, Essex (GB)

(**) Term: **15 Years**

(21) Appl. No.: **29/639,164**

(22) Filed: **Mar. 5, 2018**

(51) **LOC (12) Cl.** **28-03**

(52) **U.S. Cl.**
USPC **D28/73**

(58) **Field of Classification Search**
USPC D28/9, 10, 73; D8/382, 387, 396, 356;
D23/262, 266
CPC A46B 17/00; A46B 17/02; A46B 17/06-08
See application file for complete search history.

(56) **References Cited**

U.S. PATENT DOCUMENTS

| | | | | |
|----------------|---------|------------|-------|------------|
| D375,159 S * | 10/1996 | Johansson | | D23/266 |
| D395,815 S * | 7/1998 | Walters | | D8/354 |
| D456,176 S * | 4/2002 | Dashefsky | | D28/73 |
| D701,000 S * | 3/2014 | DiGirolamo | | D28/73 |
| D720,054 S * | 12/2014 | Roberts | | D23/266 |
| D729,354 S * | 5/2015 | Kieper | | D23/262 |
| D732,943 S * | 6/2015 | Butler | | D8/382 |
| 9,067,462 B1 * | 6/2015 | Pressler | | A46B 17/02 |
| 9,380,860 B1 * | 7/2016 | Taylor | | A46B 17/06 |
| D764,709 S * | 8/2016 | Filho | | D28/73 |
| D789,611 S * | 6/2017 | Filho | | D28/73 |
| 9,848,723 B1 * | 12/2017 | Huang | | A46B 17/08 |
| D818,658 S * | 5/2018 | Pellereau | | D32/35 |
| D823,676 S * | 7/2018 | Manabe | | D8/383 |

| | | | | |
|-------------------|--------|-------------|-------|------------------------|
| D858,886 S * | 9/2019 | Pellereau | | D28/73 |
| 2006/0011209 A1 * | 1/2006 | Mehes | | A46B 17/00 132/310 |
| 2015/0128444 A1 * | 5/2015 | Filho | | A46B 15/0095 34/282 |
| 2016/0228925 A1 * | 8/2016 | Frantsevich | | B08B 3/04 |
| 2019/0110587 A1 * | 4/2019 | Caceres | | A46B 17/08 |
| 2019/0274420 A1 * | 9/2019 | Zeilah | | F26B 5/00 |

OTHER PUBLICATIONS

StylPro Expert Makeup Brush Cleaner, 1 page, reviewed as early as 2018 https://www.amazon.com/StylPro-Expert-Makeup-Brush-Cleaner/dp/B0785GJRH5/ref=asc_df_B0785GJRH5/?tag=hyprod-20&linkCode=df0&hvadid=312169909138&hvpos=1o5&hvnetw=g&hvrand=621252393238639005&hvpone=&hvptwo=&hvqmt=&hvdev=c&hvdvcmdl=&hvlocint=&hvloc.*

* cited by examiner

Primary Examiner — Jennifer Rivard

(74) *Attorney, Agent, or Firm* — Inventa Capital PLC

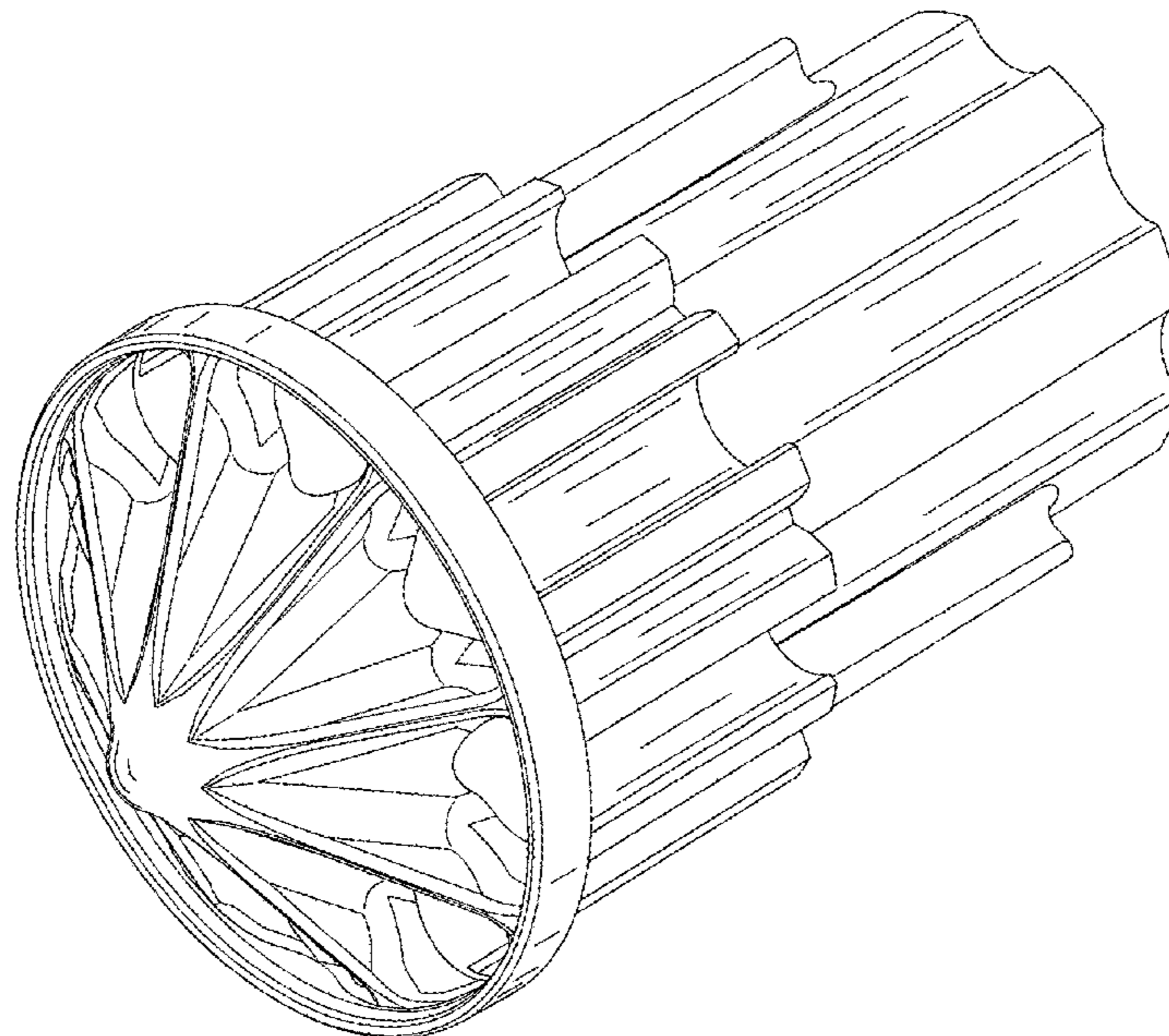
(57) **CLAIM**

We claim the ornamental design for a multi collar brush holder, as shown and described.

DESCRIPTION

FIG. 1 is a perspective view of a multi collar; FIG. 2 is a top view of the multi collar; FIG. 3 is a left side view of the multi collar; FIG. 4 is a right side view of the multi collar; FIG. 5 is a front view of the multi collar; FIG. 6 is a rear view of the multi collar; and, FIG. 7 is bottom view of the multi collar. The broken lines and the areas within the broken lines illustrate portions of the multi collar makeup brush holder and form no part of the claimed design.

1 Claim, 7 Drawing Sheets



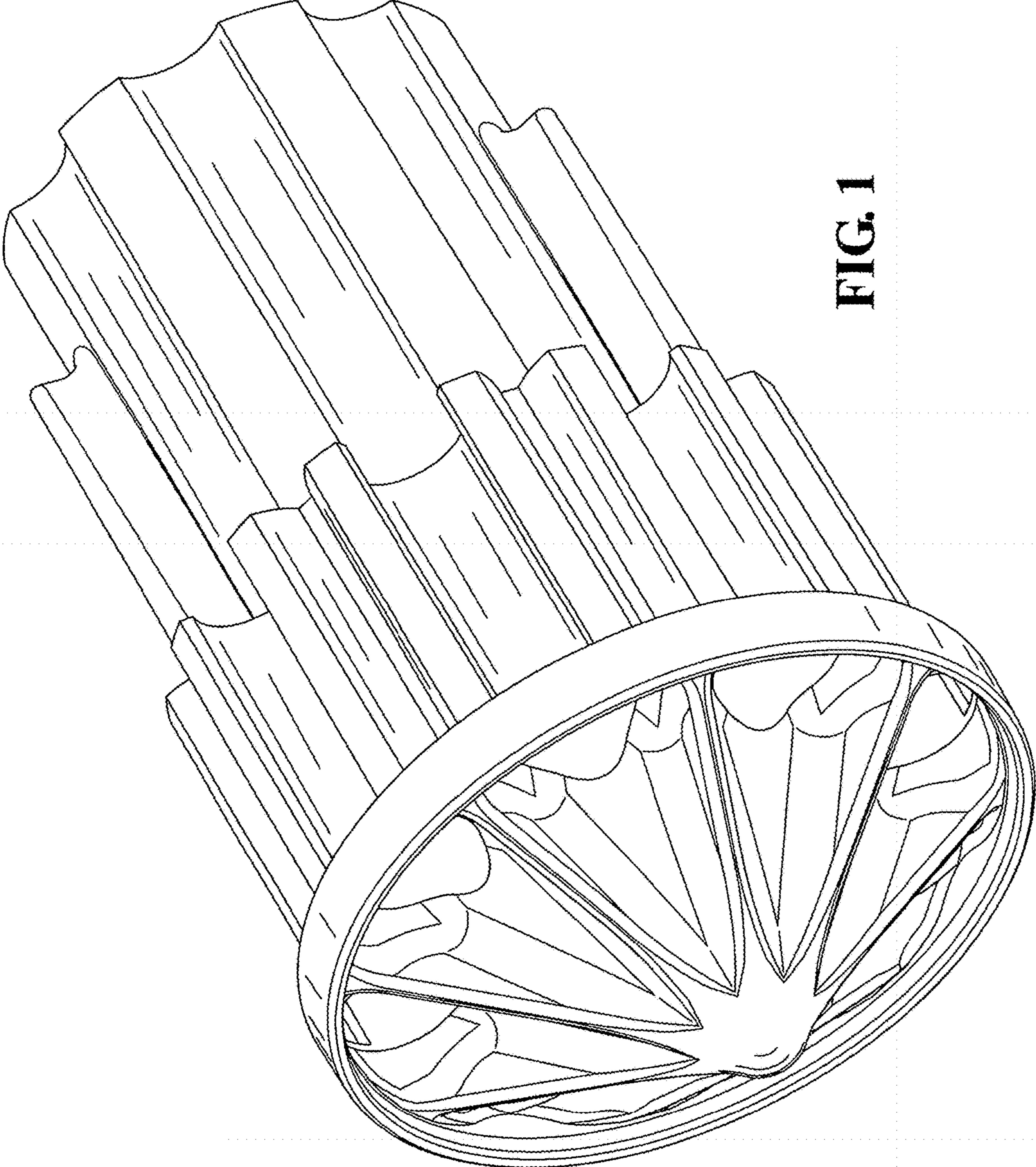


FIG. 1

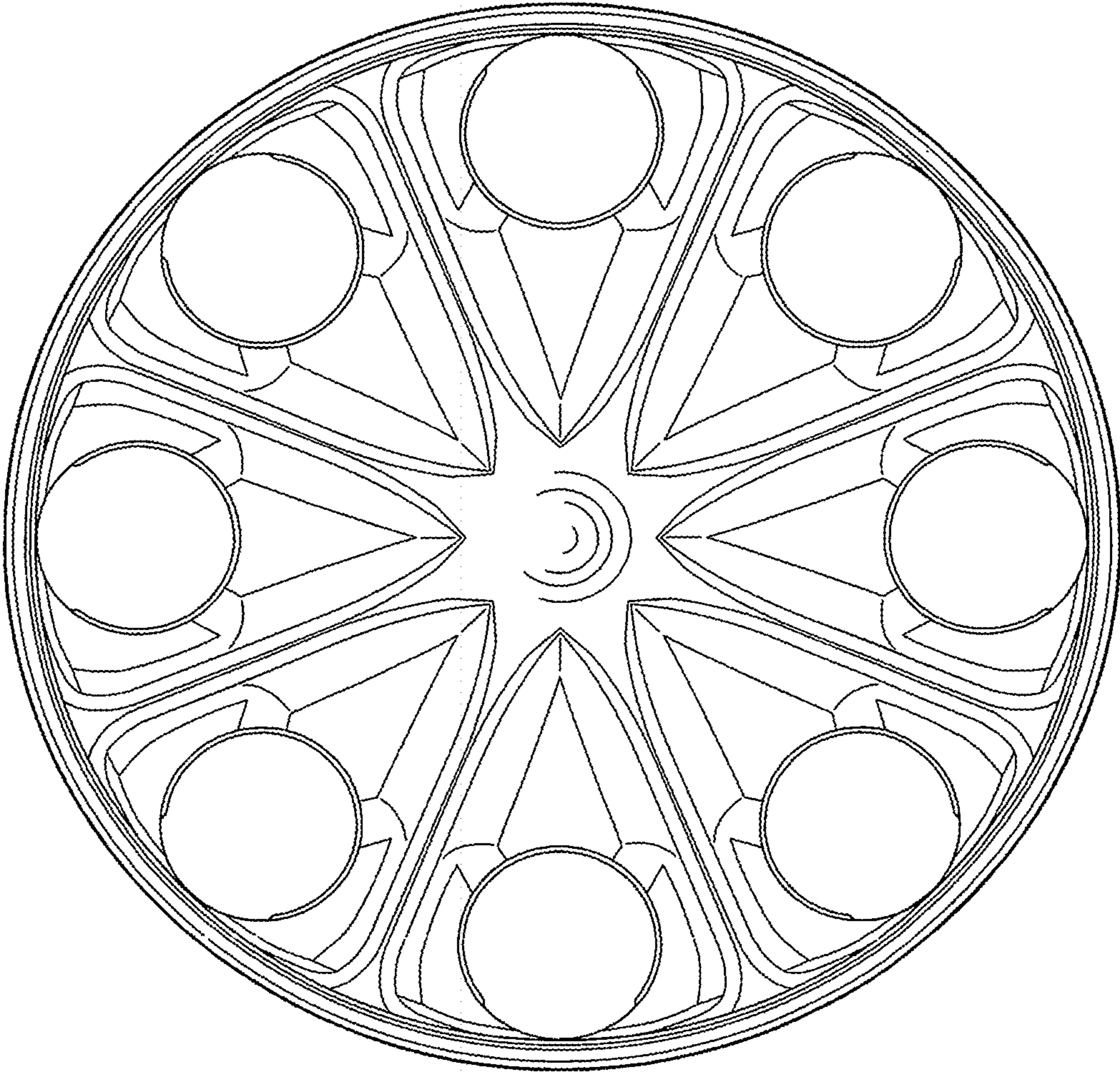


FIG. 2

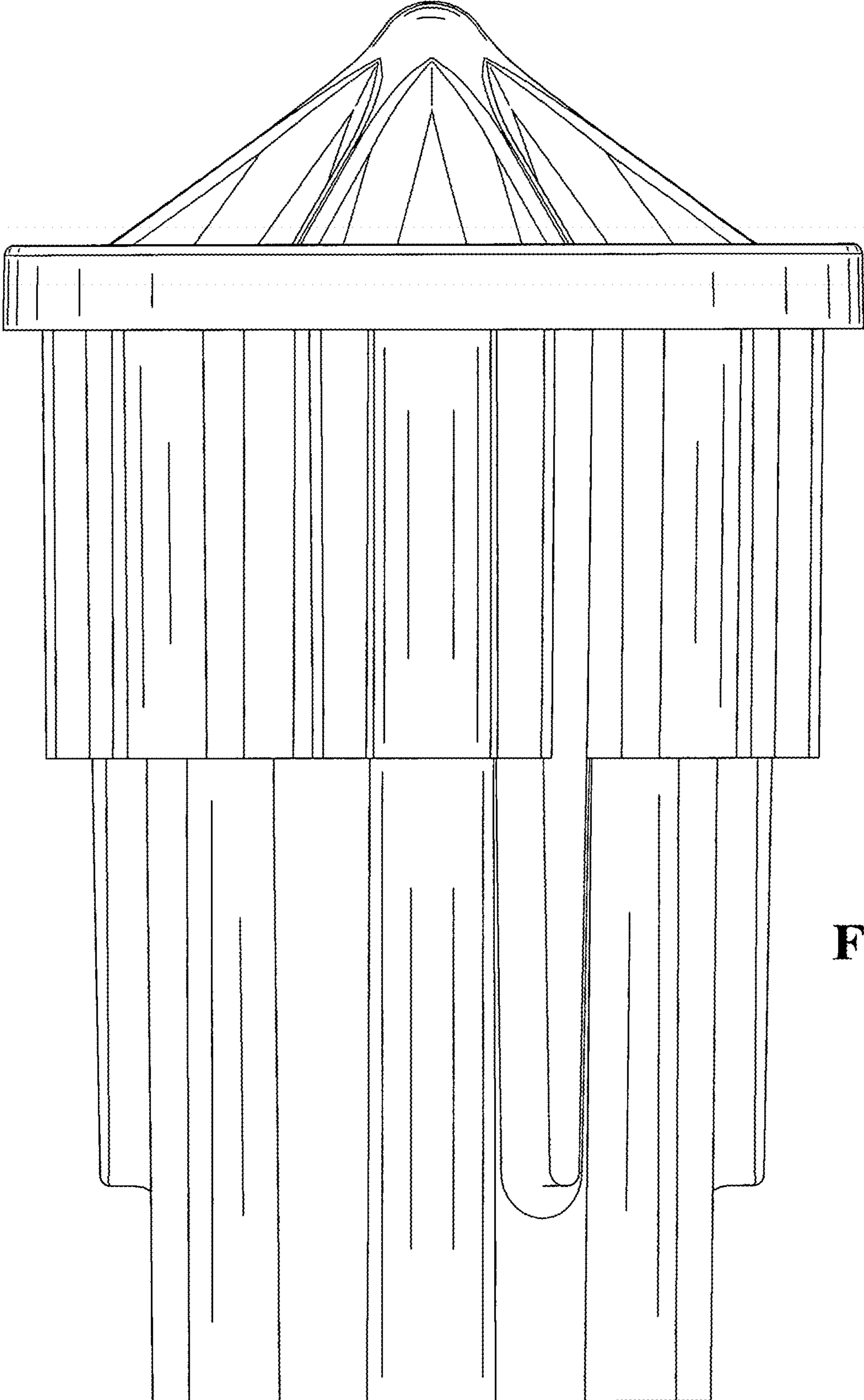


FIG. 3

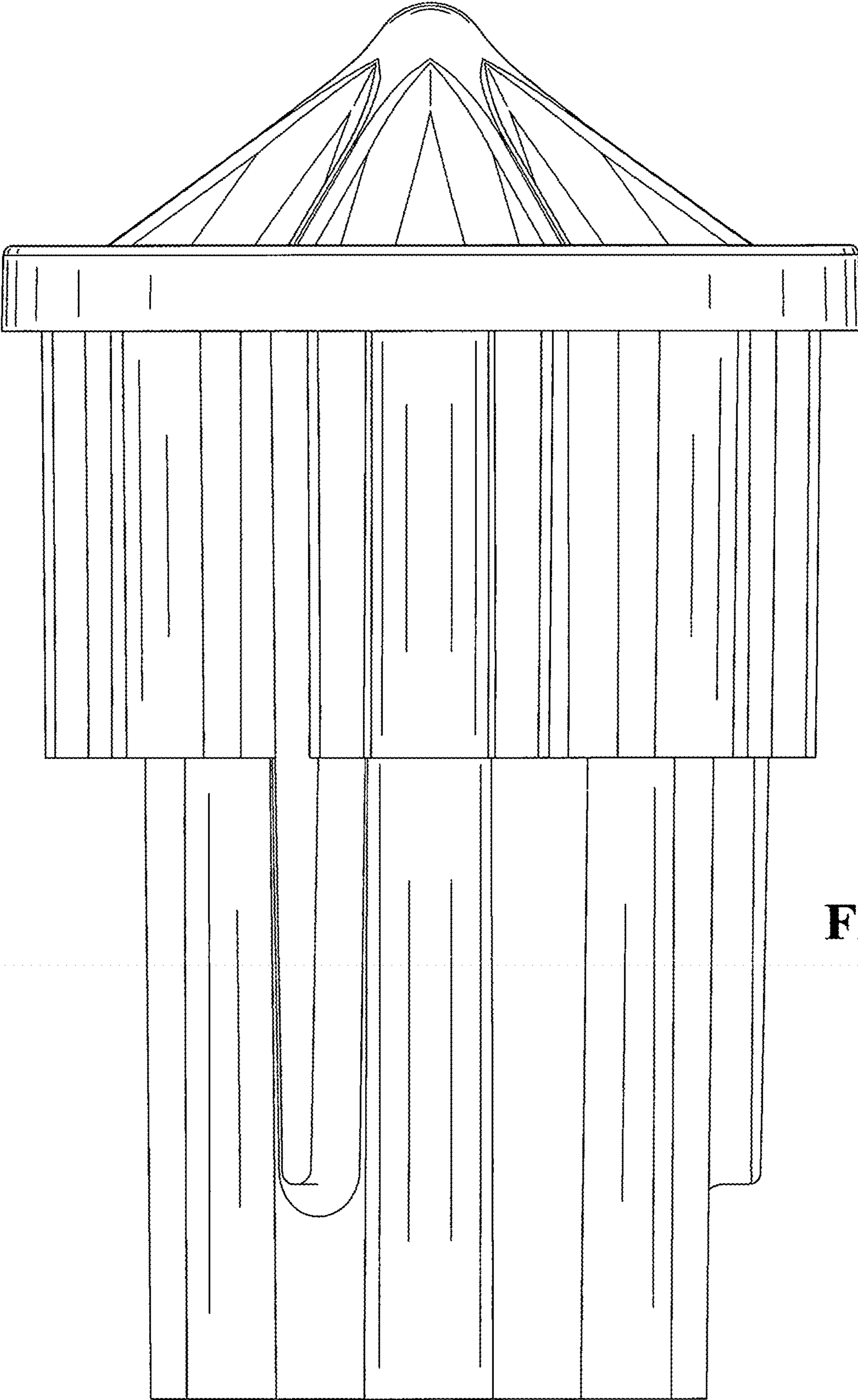


FIG. 4

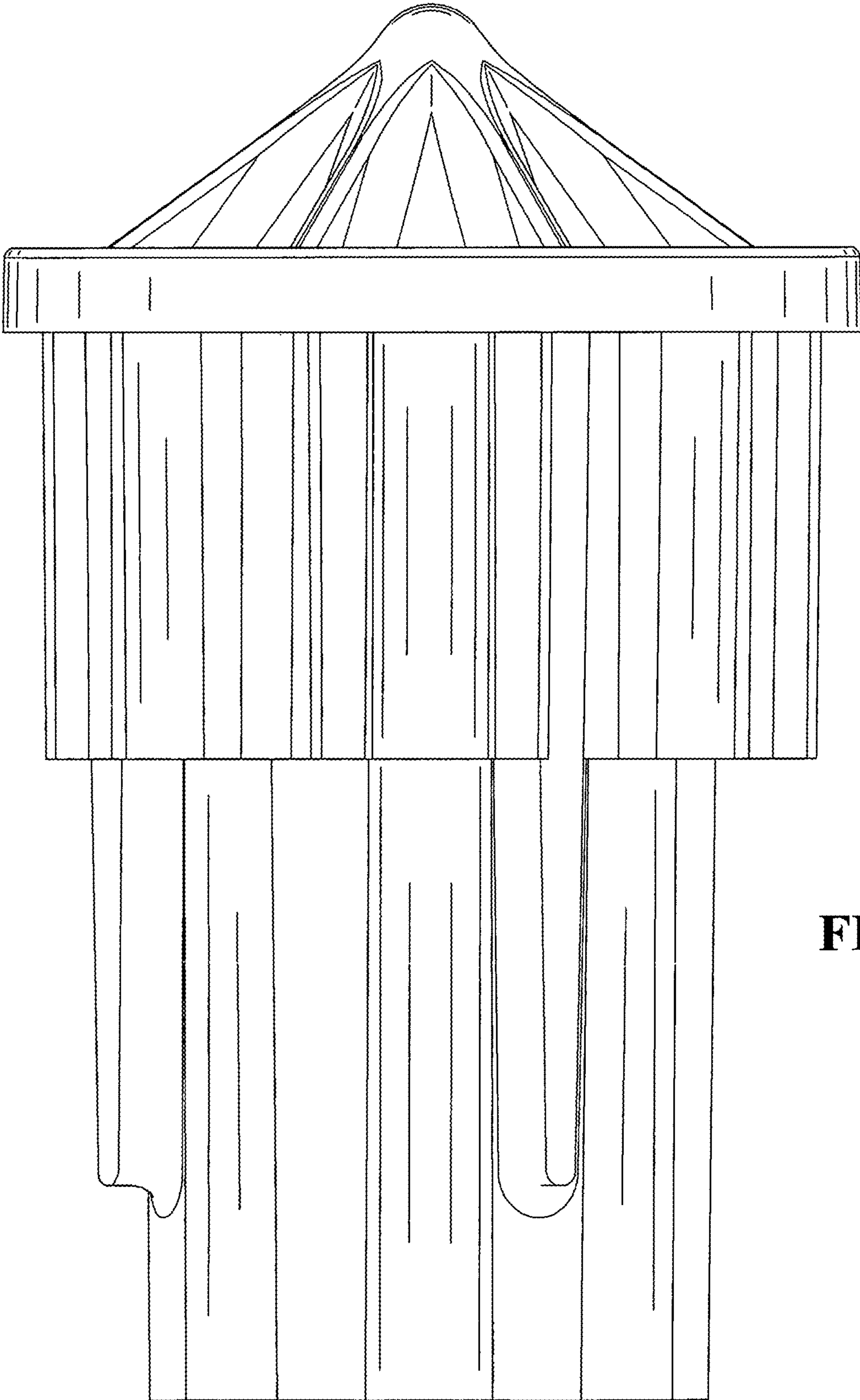


FIG. 5

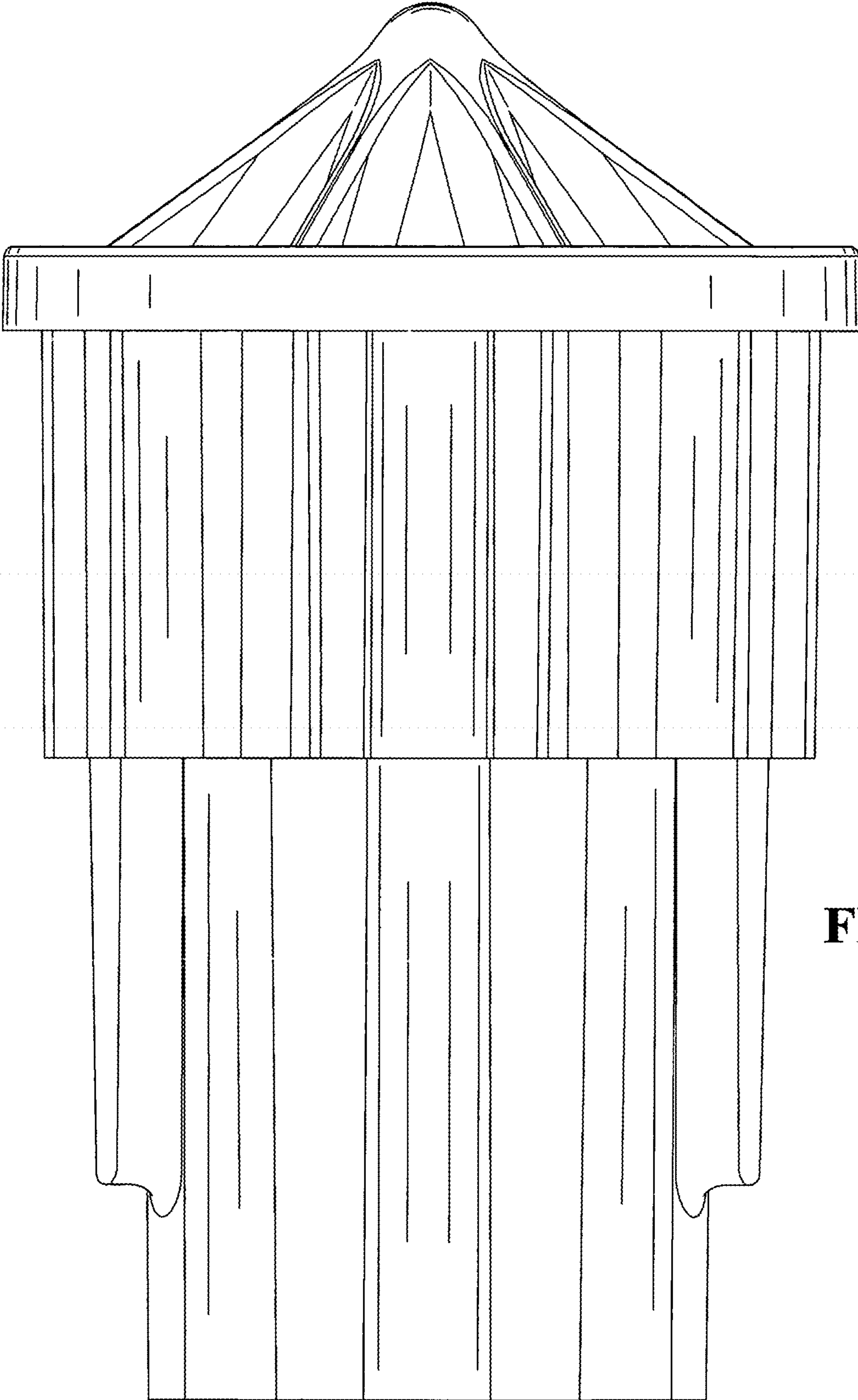


FIG. 6

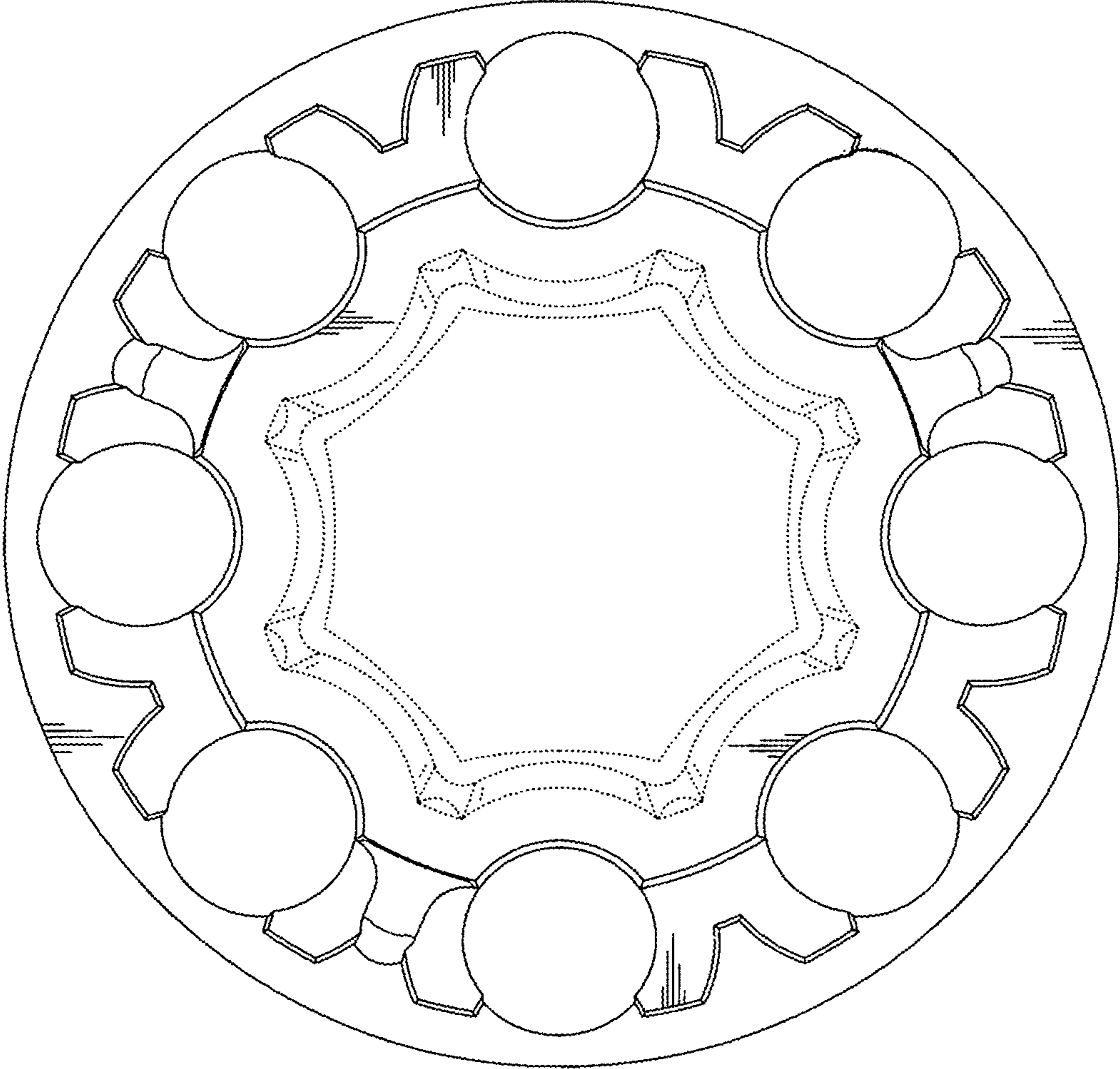


FIG. 7