



US00D884278S

(12) **United States Design Patent**  
**Rodriguez**

(10) **Patent No.:** **US D884,278 S**

(45) **Date of Patent:** **\*\* May 12, 2020**

- (54) **PEDICURE SANDING DISC BIT**
- (71) Applicant: **Greisys Rodriguez**, Miami Gardens, FL (US)
- (72) Inventor: **Greisys Rodriguez**, Miami Gardens, FL (US)
- (\*\*) Term: **15 Years**
- (21) Appl. No.: **29/665,469**
- (22) Filed: **Oct. 3, 2018**
- (51) **LOC (12) Cl.** ..... **28-03**
- (52) **U.S. Cl.**  
USPC ..... **D28/62**
- (58) **Field of Classification Search**  
USPC ..... D28/4, 9, 10, 56-59, 62, 99; D8/349, D8/354, 382, 499; D15/126  
CPC ..... A45D 29/00; A45D 29/18; A45D 1/08; A45D 2/18; A45D 2/20; A45D 2/125; A45D 2/127; A45D 40/30; A45D 44/02; A45D 44/12  
See application file for complete search history.

D625,528	S	*	10/2010	Sprague	.....	D6/681
D674,273	S	*	1/2013	Yogev	.....	D8/382
D768,468	S	*	10/2016	Maloney	.....	D8/382
D803,037	S	*	11/2017	Maloney	.....	D8/382
D846,801	S	*	4/2019	Griffiths	.....	D28/9
D860,111	S	*	9/2019	Davis	.....	D12/400
D867,106	S	*	11/2019	Blattel	.....	D8/349
2005/0123372	A1	*	6/2005	Sato	.....	F16B 5/0258 411/32
2005/0152765	A1	*	7/2005	Kato	.....	F16B 19/1081 411/45
2013/0216297	A1	*	8/2013	Albach	.....	F16B 21/075 403/20

\* cited by examiner

*Primary Examiner* — Jennifer Rivard  
*Assistant Examiner* — Alison M Ofstun  
(74) *Attorney, Agent, or Firm* — Ruben Alcoba, Esq.

(57) **CLAIM**

The ornamental design for a pedicure sanding disc bit, as shown and described.

**DESCRIPTION**

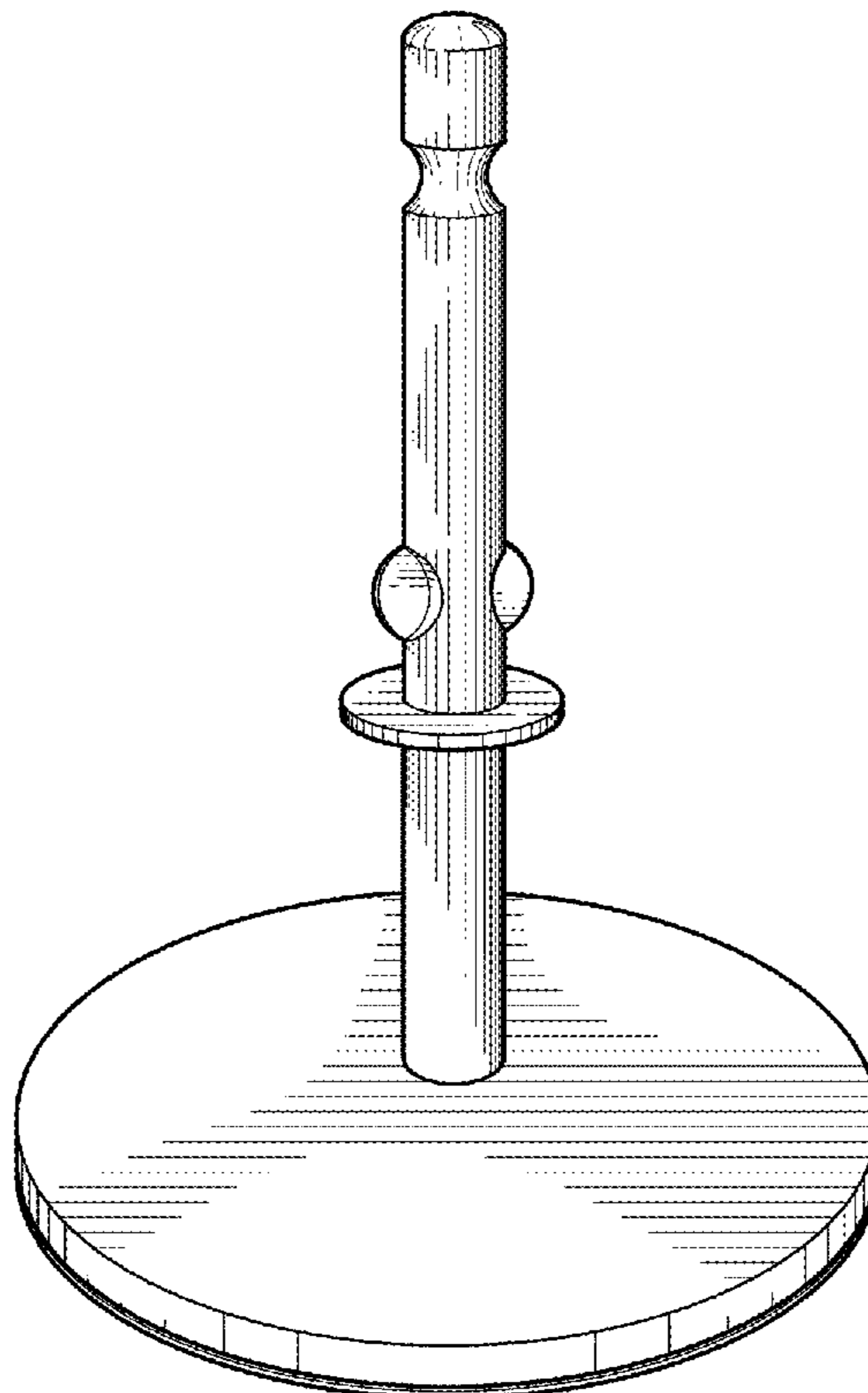
FIG. 1 is a Front Perspective View of a pedicure sanding disc bit;  
FIG. 2 is a front elevation view thereof, the rear view being a mirror image thereof;  
FIG. 3 is a left side view thereof, the right side being a mirror image thereof;  
FIG. 4 is a top plan view thereof; and,  
FIG. 5 is a bottom plan view thereof.

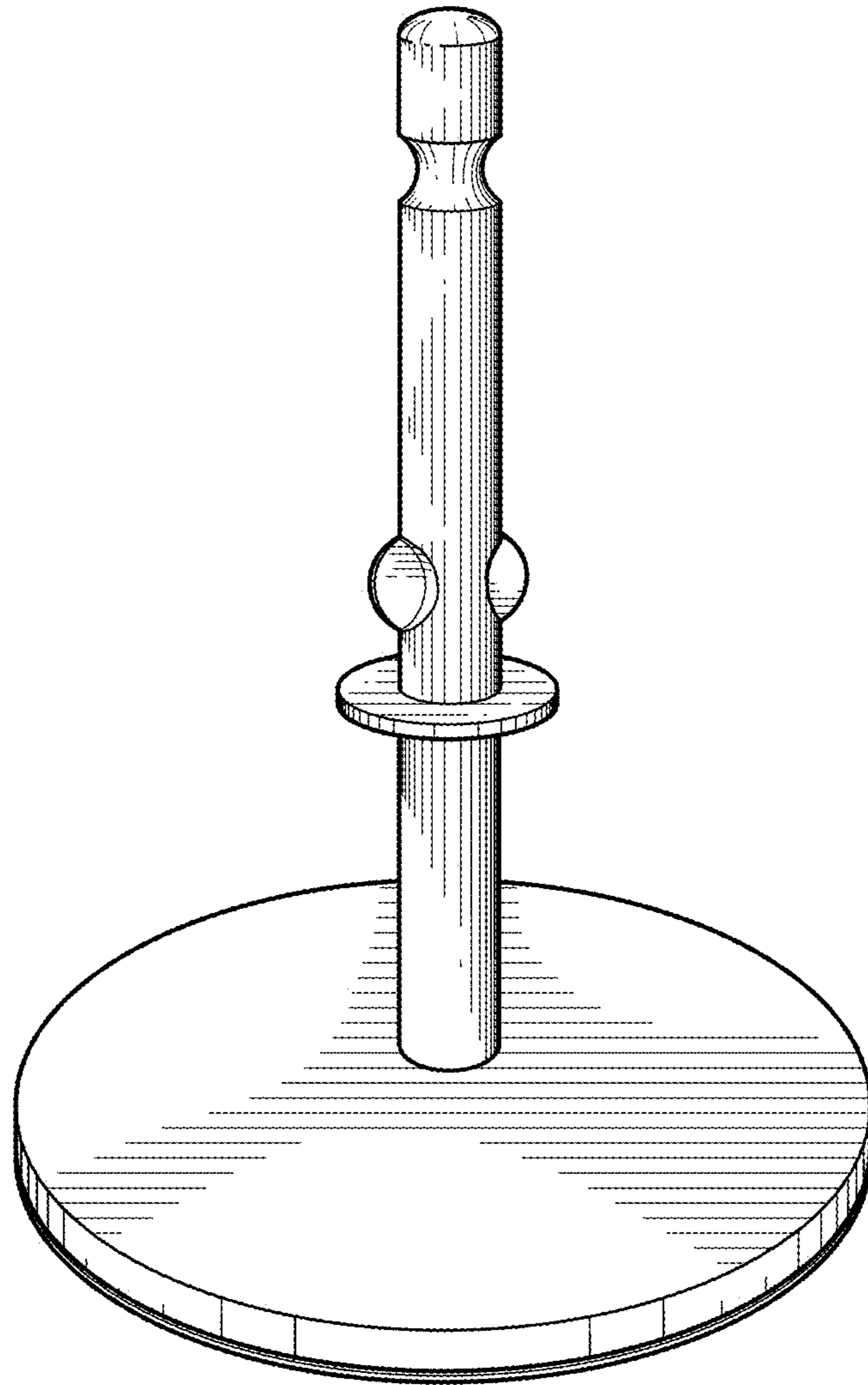
**1 Claim, 3 Drawing Sheets**

(56) **References Cited**

U.S. PATENT DOCUMENTS

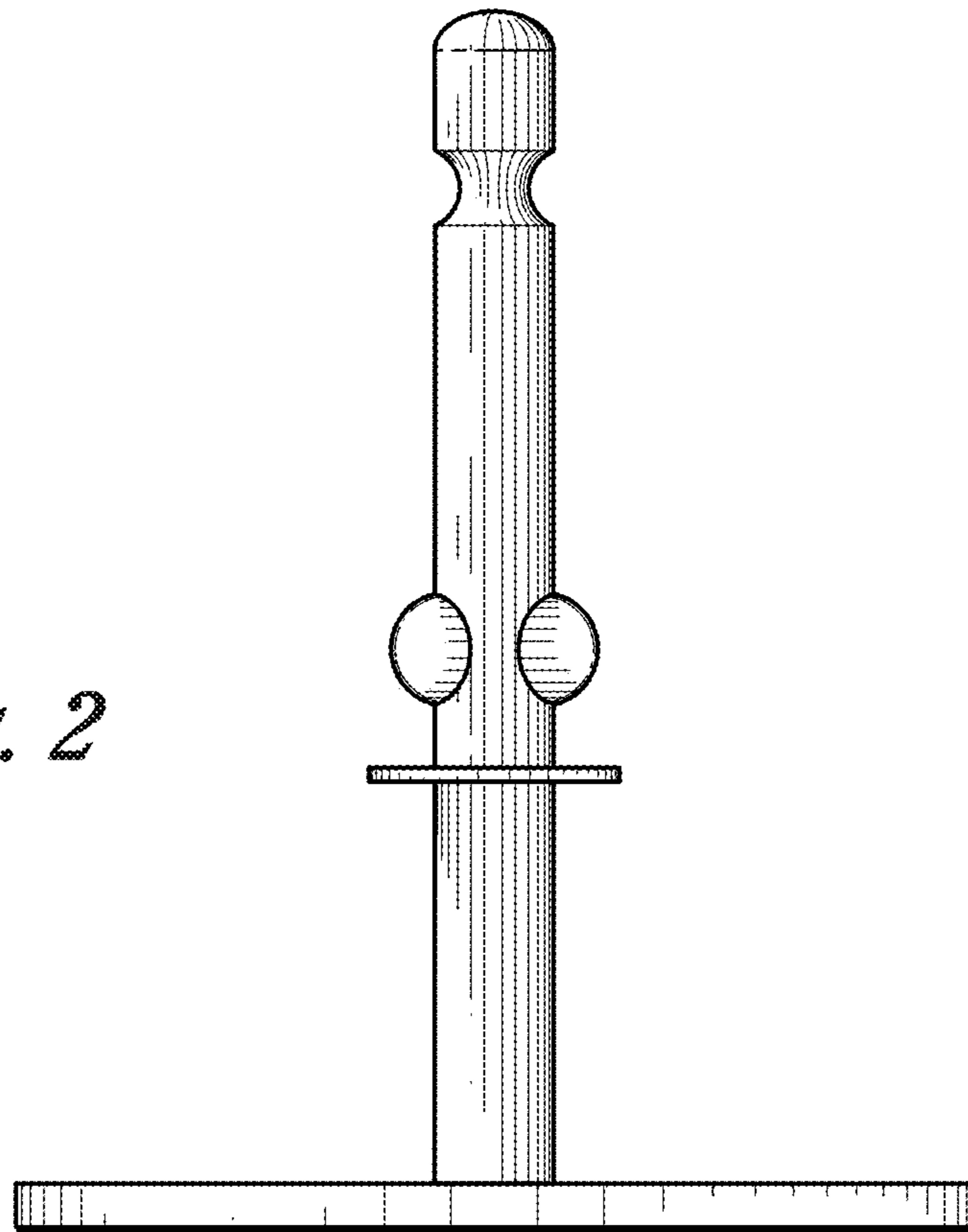
1,404,934	A	*	1/1922	Cunningham	.....	B65H 75/14 242/610.3
D302,401	S	*	7/1989	Weingast	.....	D11/88
7,690,876	B2	*	4/2010	Kawai	.....	F16B 19/1081 411/45



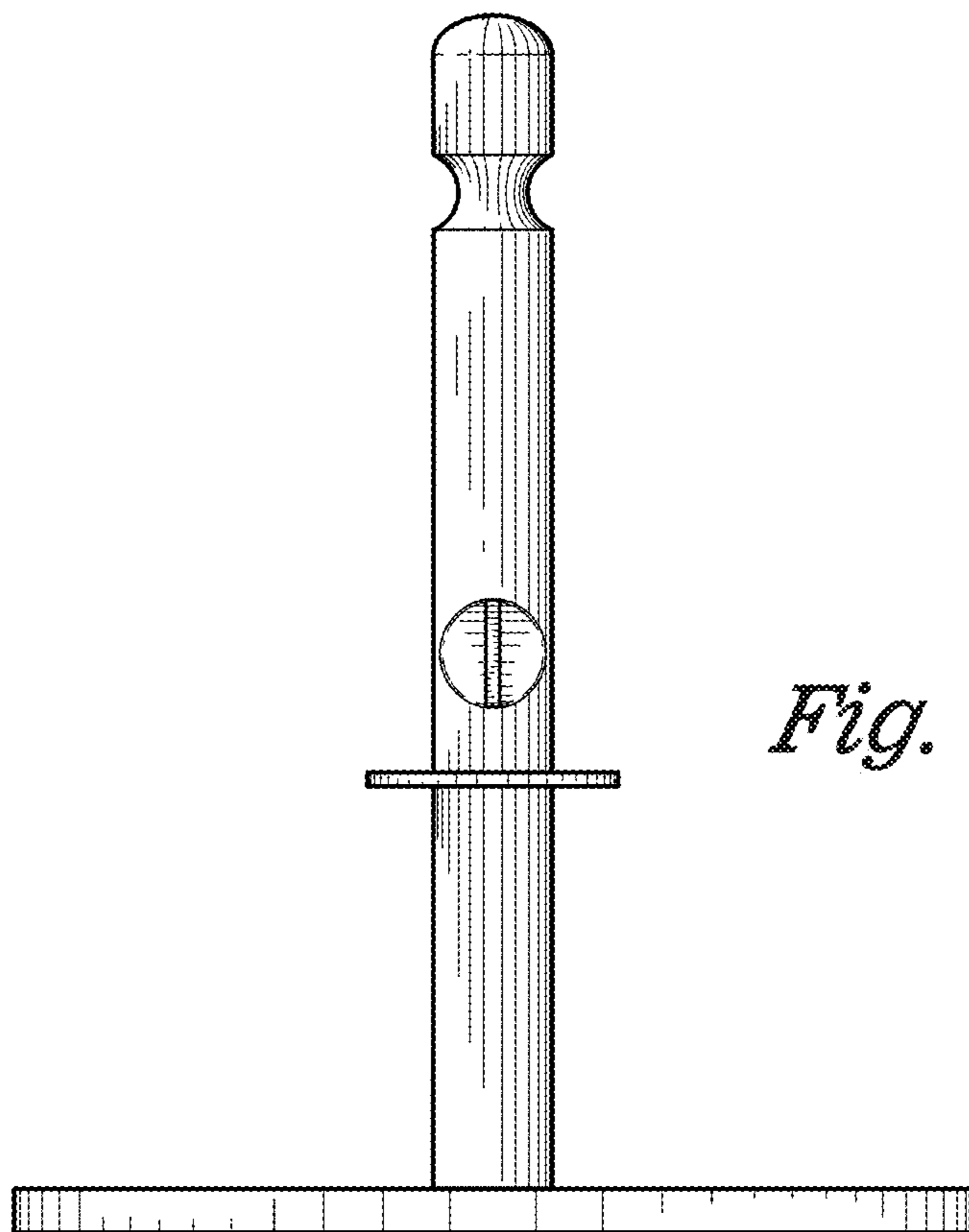


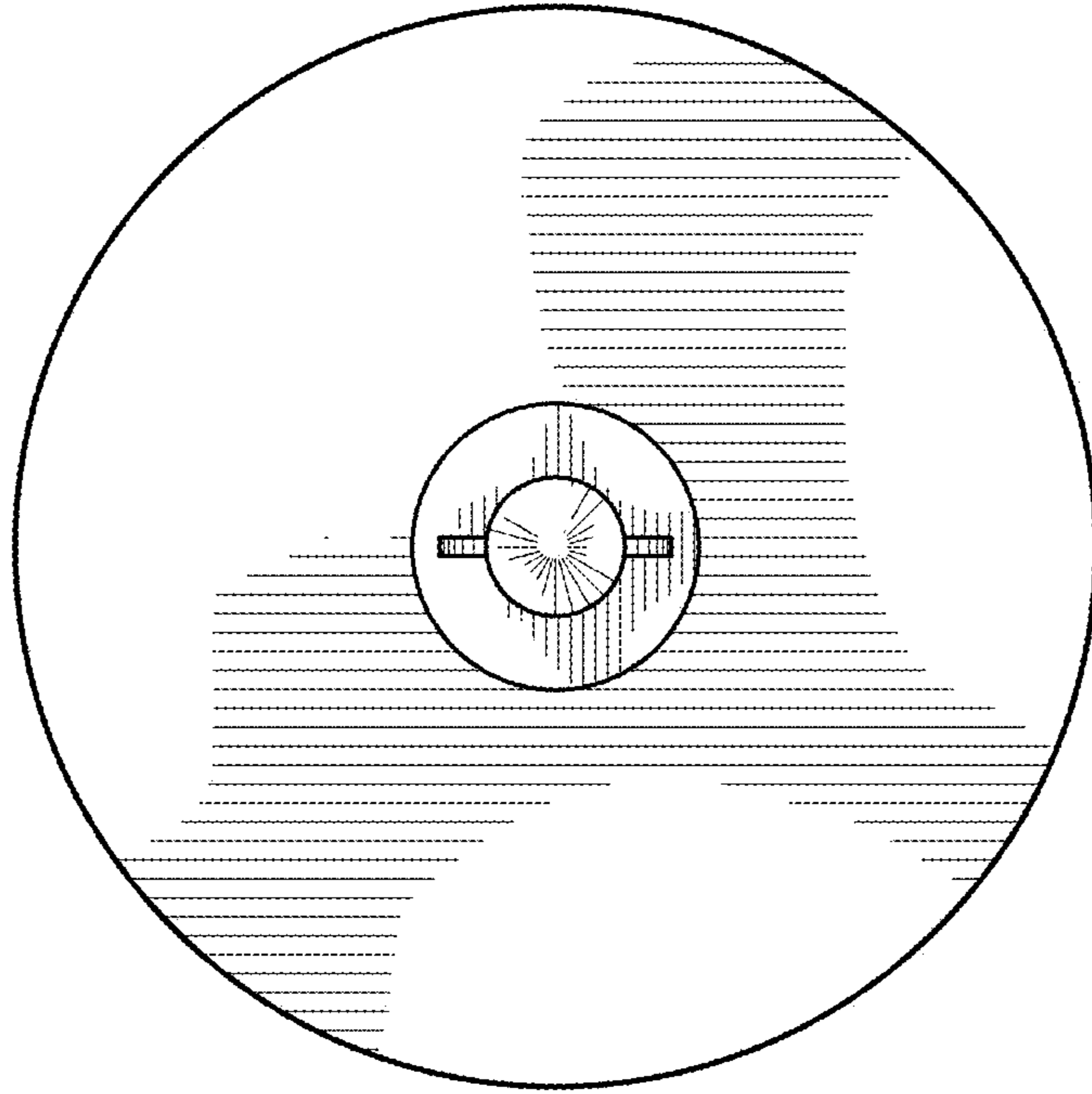
*Fig. 1*

*Fig. 2*

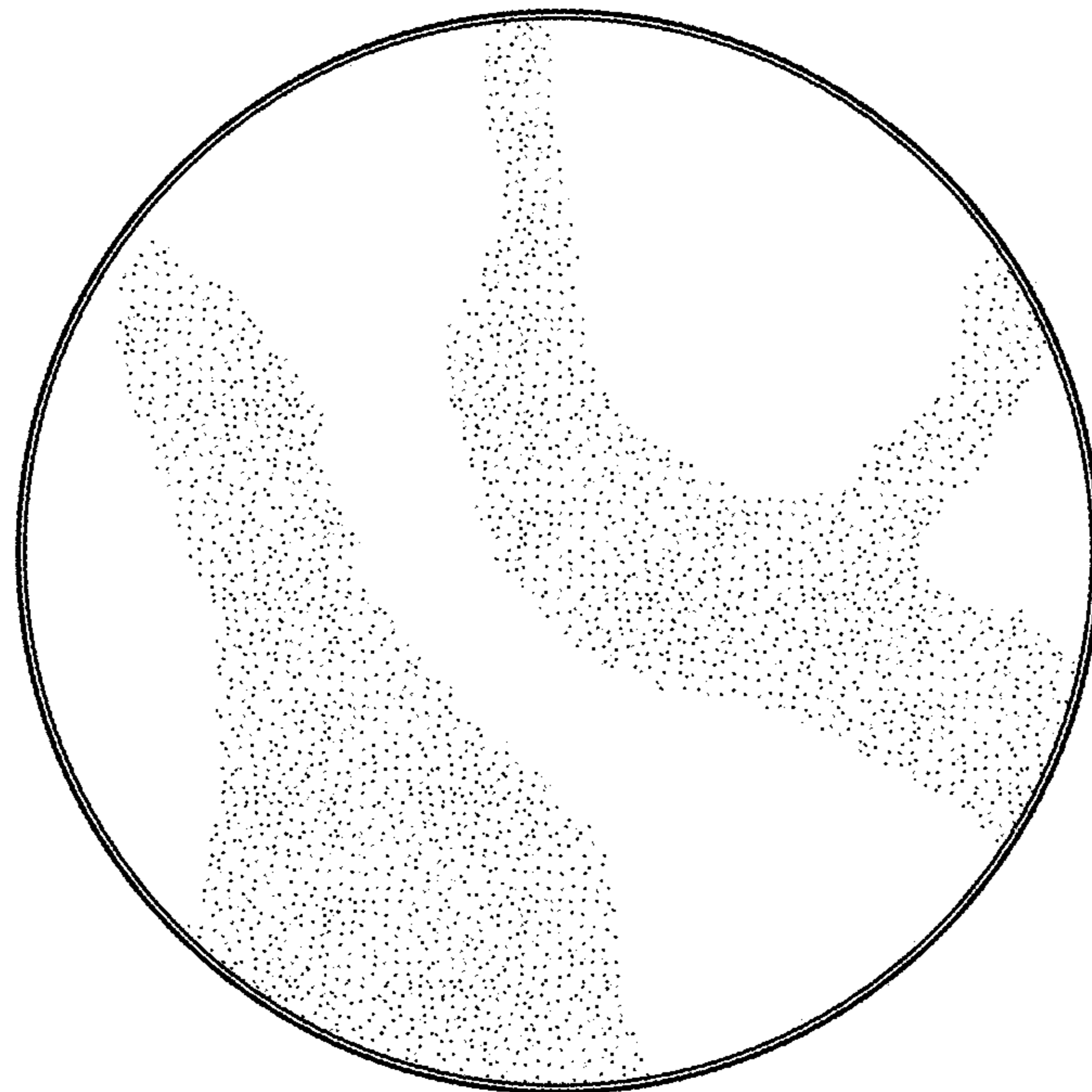


*Fig. 3*





*Fig. 4*



*Fig. 5*