



US00D884277S

(12) **United States Design Patent** (10) **Patent No.:** **US D884,277 S**
Gebicki (45) **Date of Patent:** **** May 12, 2020**

(54) **COSMETICS BOTTLE HOLDER**

(71) Applicant: **Kevanne Designs**, Victoria (CA)

(72) Inventor: **Leanne Gebicki**, Victoria (CA)

(73) Assignee: **Kevanne Designs**, Victoria (CA)

(**) Term: **15 Years**

(21) Appl. No.: **29/672,524**

(22) Filed: **Dec. 6, 2018**

(51) **LOC (12) Cl.** **28-03**

(52) **U.S. Cl.**
USPC **D28/61; D28/73**

(58) **Field of Classification Search**
USPC D28/73, 61; D2/925, 939, 940
CPC A45D 29/00; A45D 29/22; A45D 29/18
See application file for complete search history.

(56) **References Cited**

U.S. PATENT DOCUMENTS

5,913,312 A *	6/1999	Donnell	A45D 29/22
				132/73
6,755,380 B2 *	6/2004	Pace	A45D 34/00
				248/146
D821,033 S *	6/2018	Boyle	A45D 29/00
				D28/57
D845,549 S *	4/2019	Nicoline	D28/73
D863,740 S *	10/2019	Takabu	D2/939
2019/0082770 A1 *	3/2019	Takabu	A43B 23/0215
2019/0307224 A1 *	10/2019	Choekyi	A45D 29/20

OTHER PUBLICATIONS

Resin Crystal Design High Heel, www.amazon.com, 1 page, downloaded Dec. 2019 (Year: 2019).*

Craton Glass Slipper Crystal Shoe, www.amazon.com, 1 page, downloaded Dec. 2019 (Year: 2019).*

* cited by examiner

Primary Examiner — Jennifer Rivard

(74) *Attorney, Agent, or Firm* — Roni M. Jones; Oyen Wiggs Green & Mutala LLP

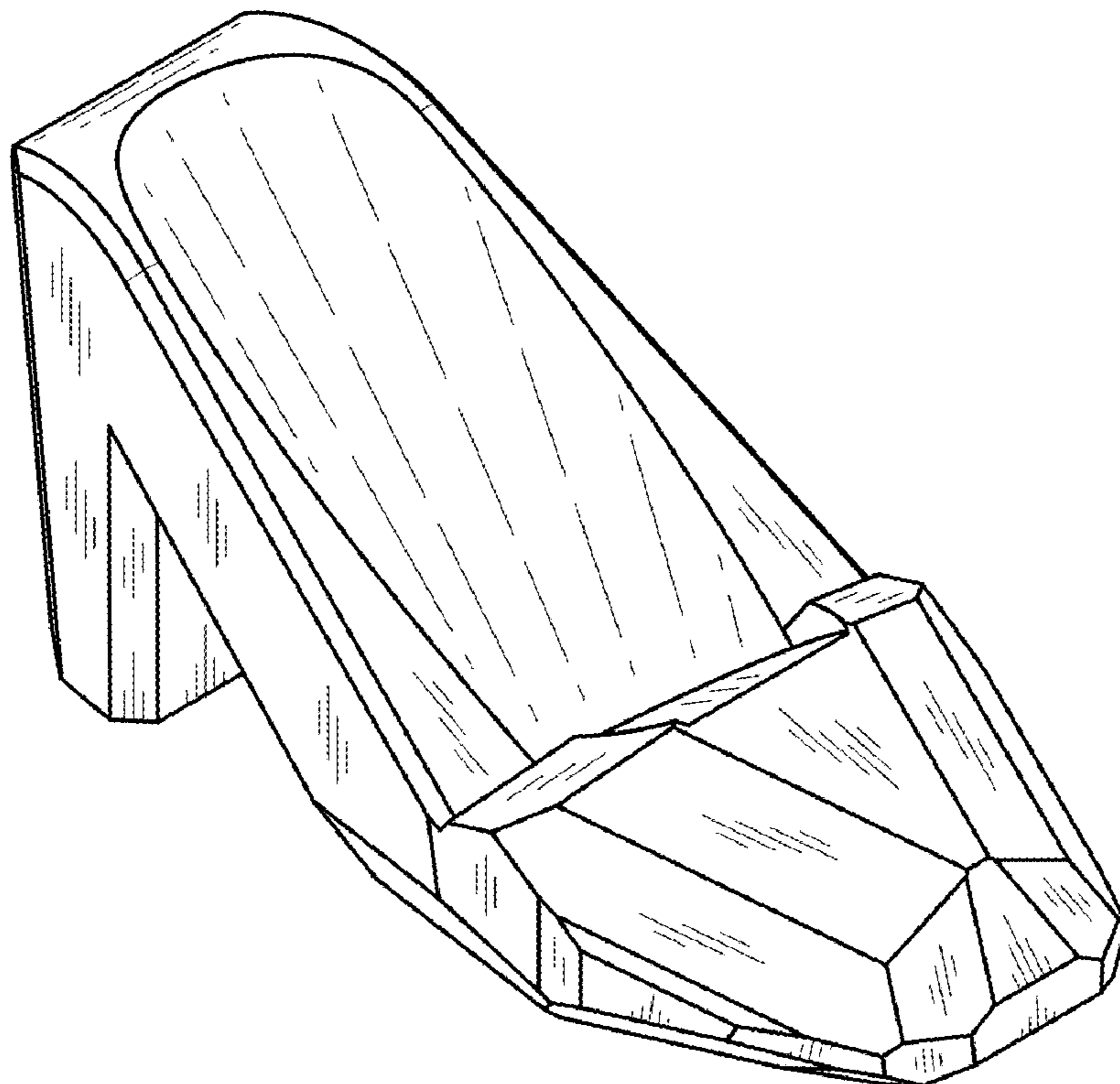
(57) **CLAIM**

The ornamental design for the cosmetics bottle holder, as shown and described.

DESCRIPTION

FIG. 1 is a perspective view of the cosmetics bottle holder; FIG. 2 is a front view thereof; FIG. 3 is a rear view thereof; FIG. 4 is a right view thereof; FIG. 5 is a left view thereof; FIG. 6 is a top view thereof; FIG. 7 is a bottom view thereof; and, FIG. 8 is a perspective view of the cosmetics bottle holder showing the environment in which the cosmetics bottle holder is used, the environment including an exemplary cosmetics bottle. The broken line disclosure of a cosmetic bottle illustrates the environment and forms no part of the claimed design.

1 Claim, 5 Drawing Sheets



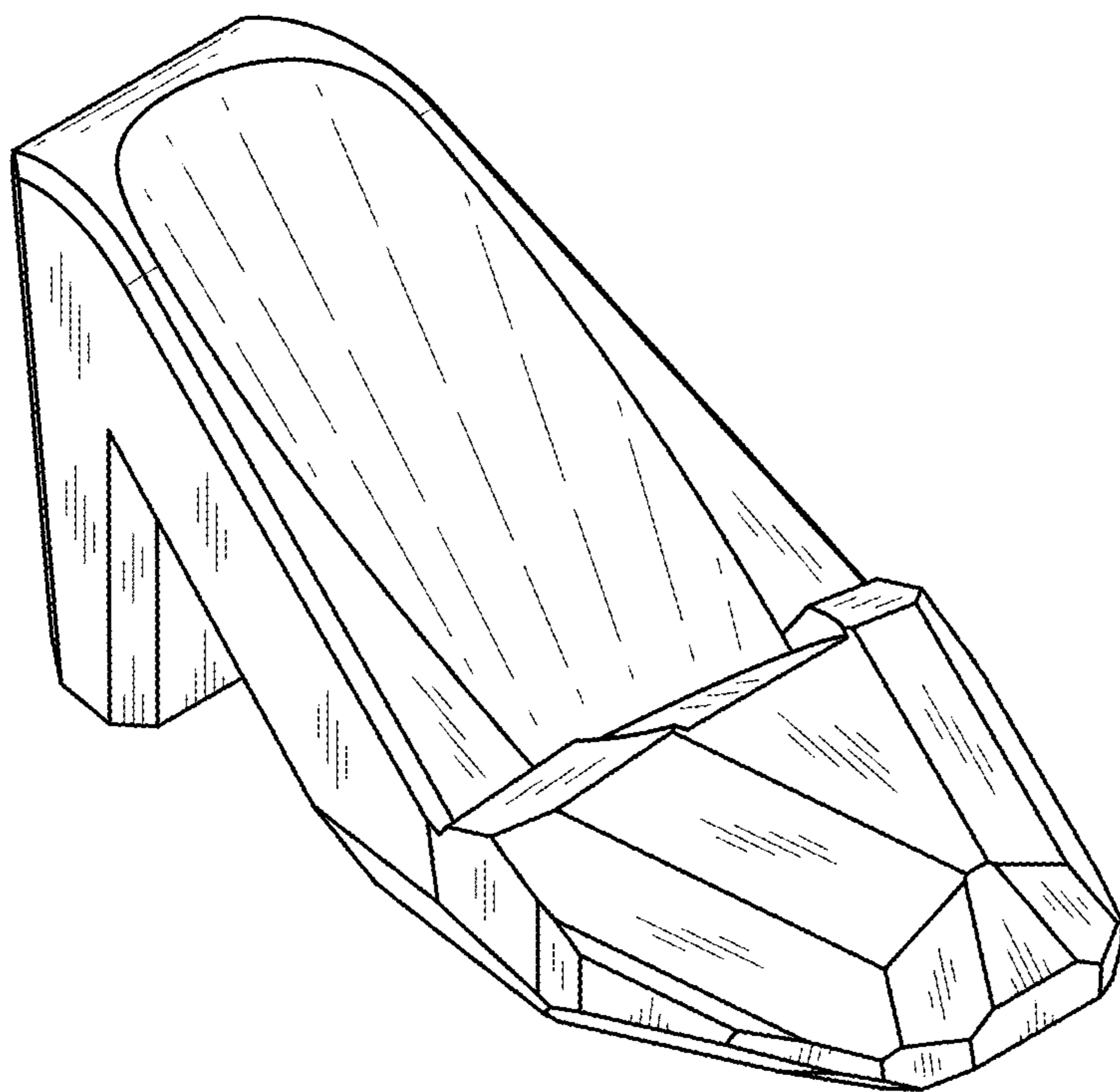


FIG. 1

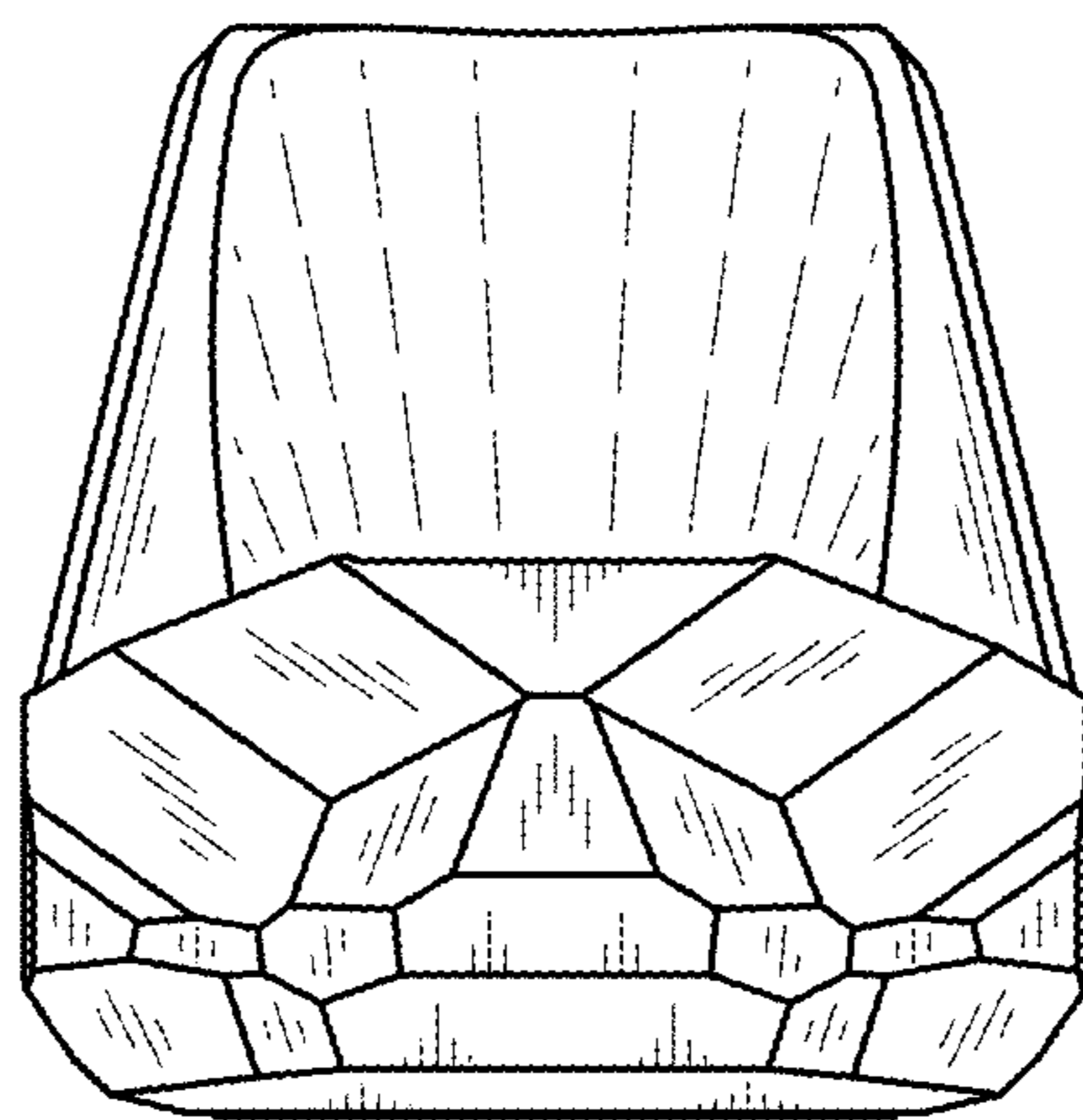


FIG. 2

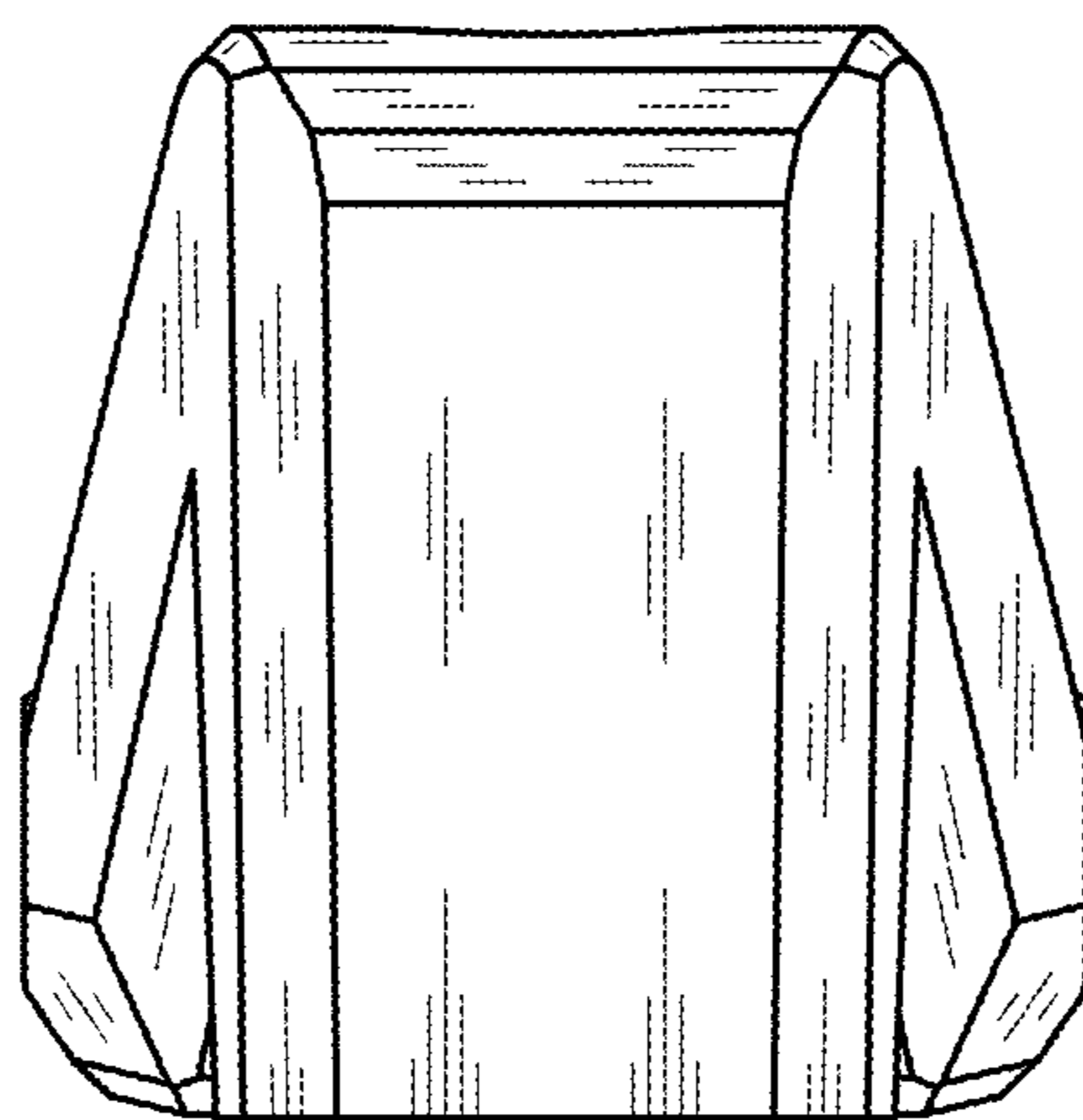


FIG. 3

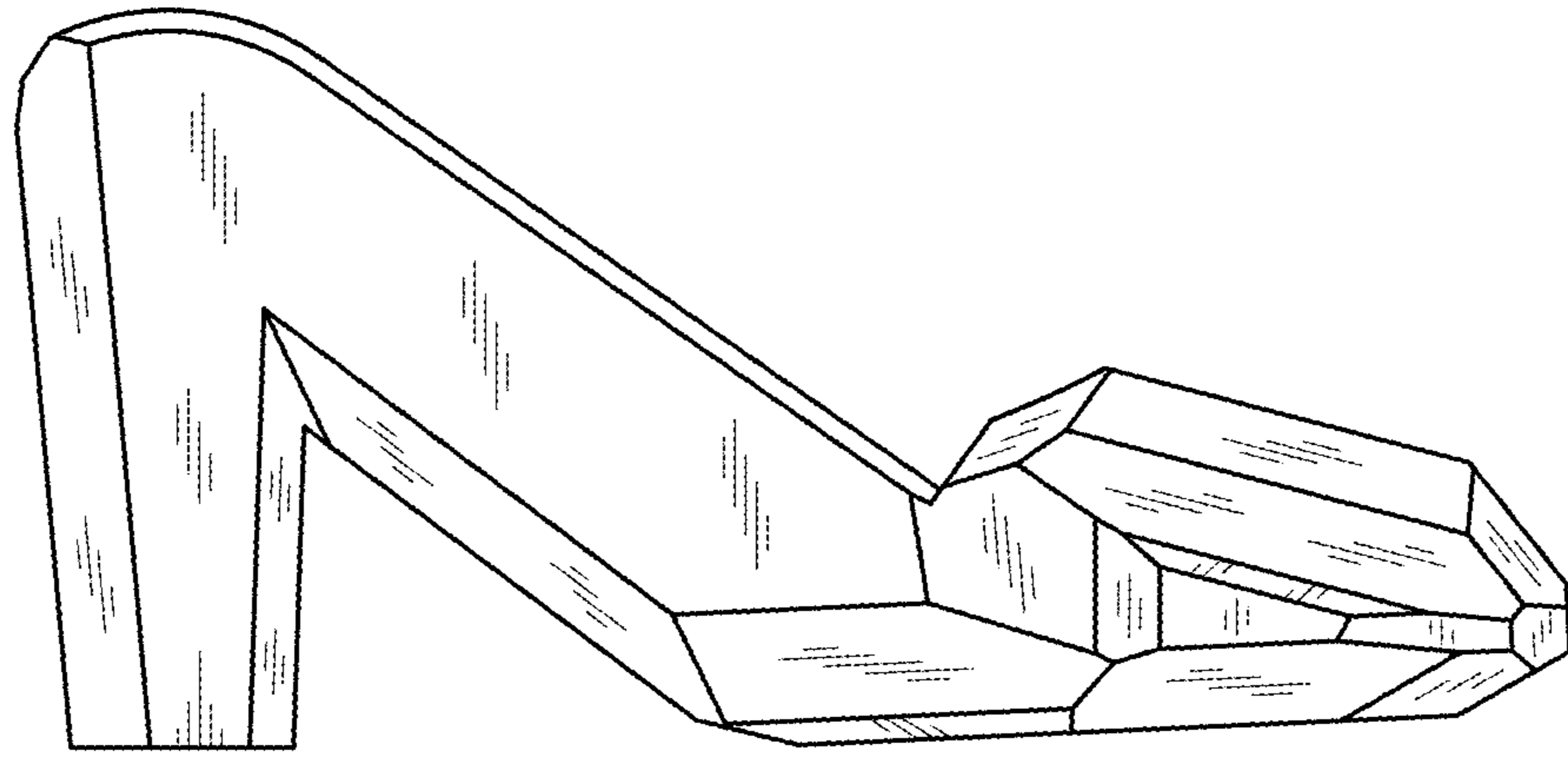


FIG. 4

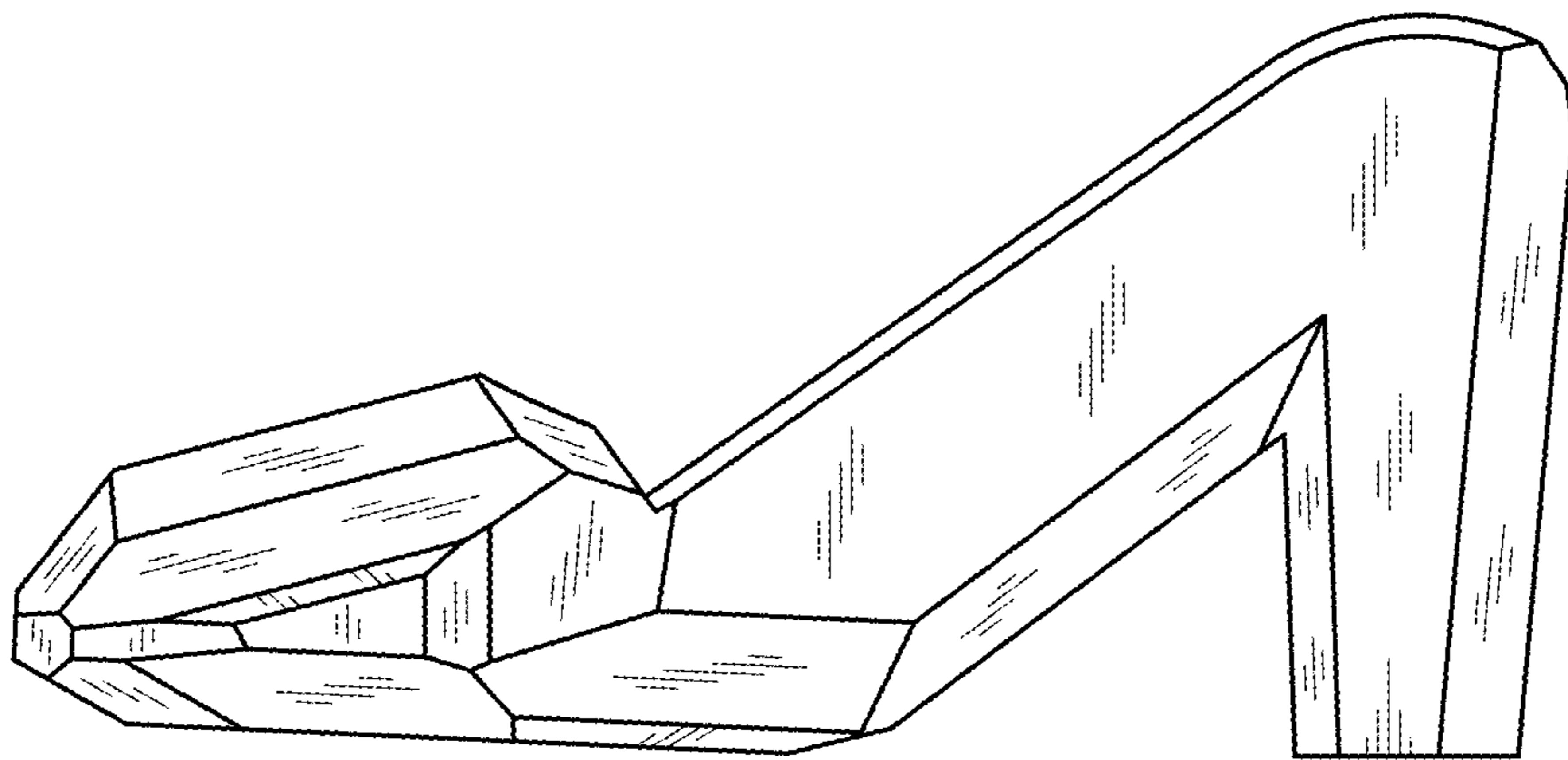


FIG. 5

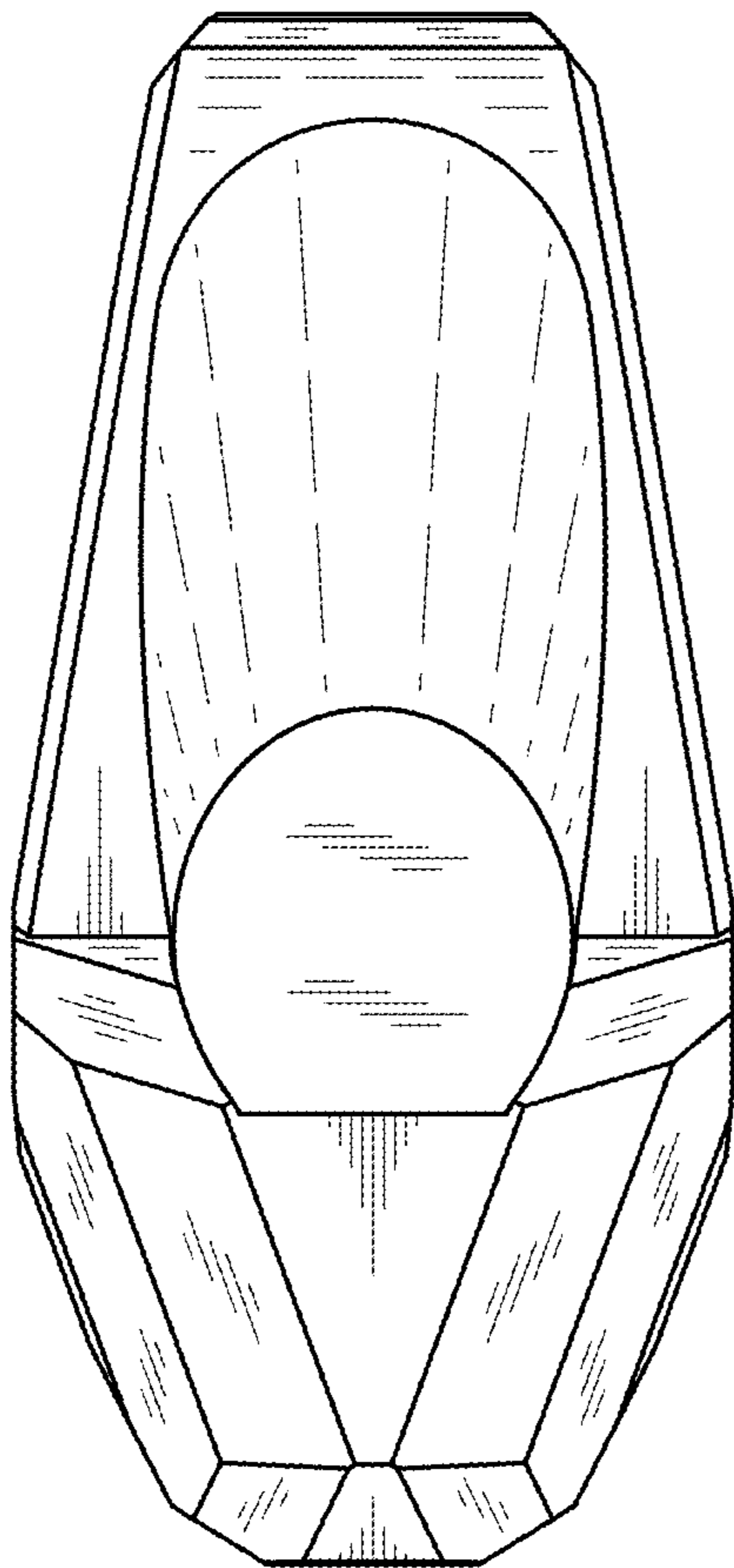


FIG. 6

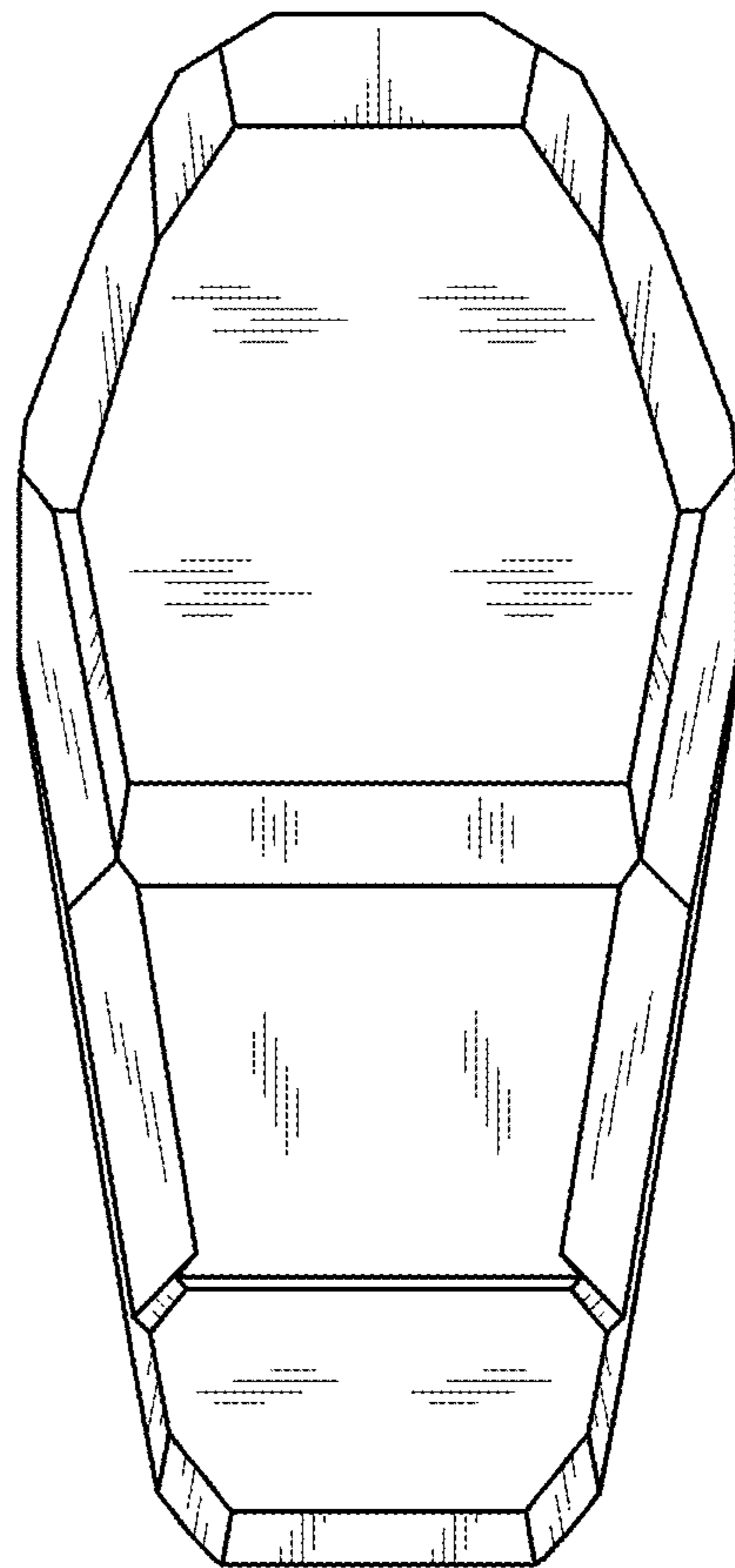


FIG. 7

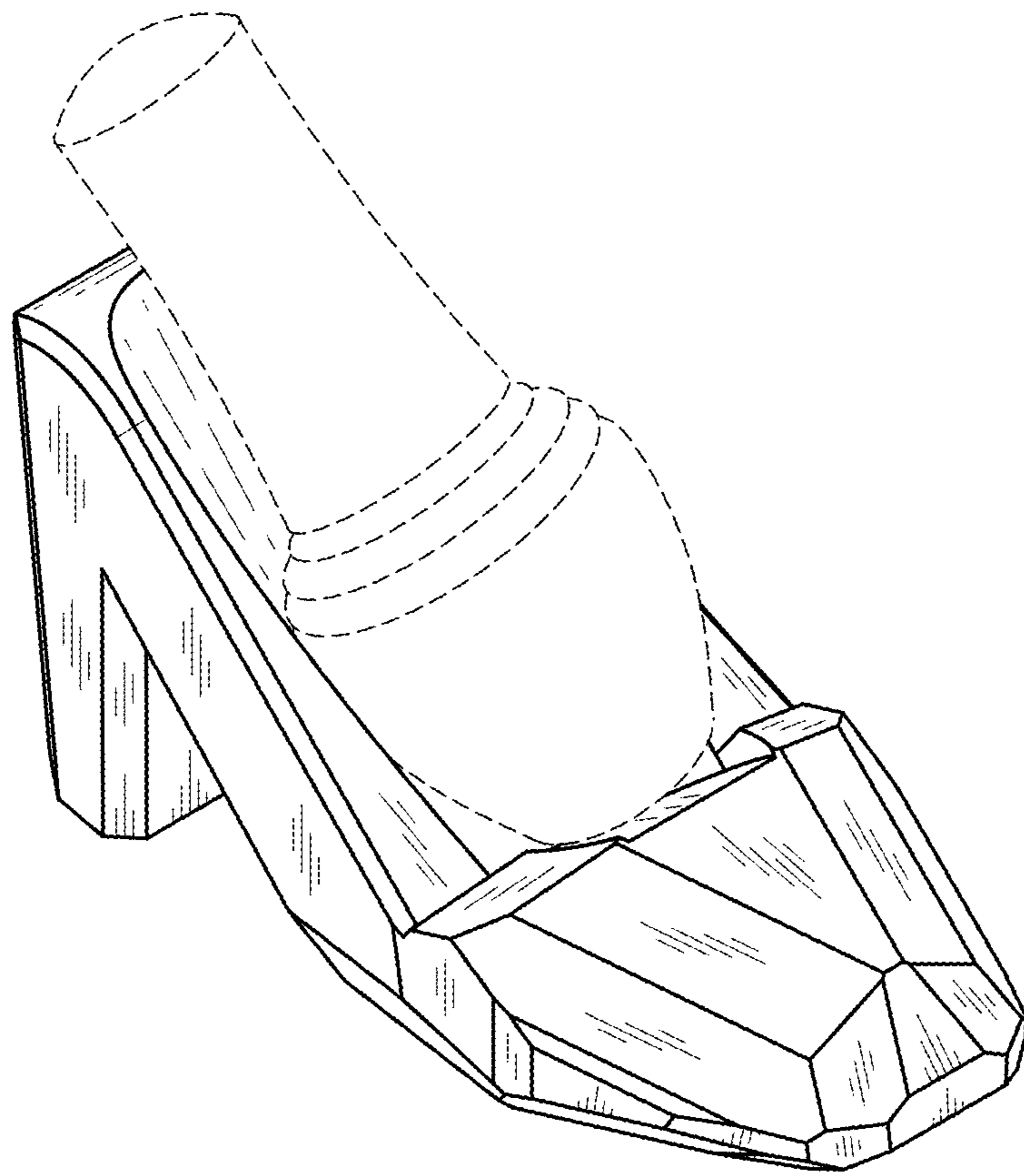


FIG. 8

UNITED STATES PATENT AND TRADEMARK OFFICE
CERTIFICATE OF CORRECTION

PATENT NO. : D884,277 S
APPLICATION NO. : 29/672524
DATED : May 12, 2020
INVENTOR(S) : Leanne M. Gebicki

Page 1 of 1

It is certified that error appears in the above-identified patent and that said Letters Patent is hereby corrected as shown below:

On the Title Page

Insert item (30):

--(30) Foreign Application Priority Data

June 7, 2018 (CA).....181851--

Signed and Sealed this
Twenty-fifth Day of May, 2021



Drew Hirshfeld
*Performing the Functions and Duties of the
Under Secretary of Commerce for Intellectual Property and
Director of the United States Patent and Trademark Office*