



US00D884273S

(12) **United States Design Patent**
Liu

(10) **Patent No.:** **US D884,273 S**

(45) **Date of Patent:** **** May 12, 2020**

(54) **EYELASH CURLER**

(71) Applicant: **Liang Liu**, Shandong (CN)

(72) Inventor: **Liang Liu**, Shandong (CN)

(**) Term: **15 Years**

(21) Appl. No.: **29/717,322**

(22) Filed: **Dec. 17, 2019**

(51) **LOC (12) Cl.** **28-03**

(52) **U.S. Cl.**
USPC **D28/36**

(58) **Field of Classification Search**
USPC D28/36
CPC A45D 2/48
See application file for complete search history.

(56) **References Cited**

U.S. PATENT DOCUMENTS

D328,504	S	*	8/1992	Davies	D28/36
5,673,712	A	*	10/1997	Nojiri	A45D 2/48
						132/217
D406,392	S		3/1999	Walker		
D437,086	S		1/2001	Dickert		
D437,660	S	*	2/2001	Kim	D28/36
D487,821	S	*	3/2004	Sugiyama	D28/36
D501,580	S	*	2/2005	Sugawara	D28/36
D559,449	S	*	1/2008	Lin	D28/36
D607,147	S	*	12/2009	Sugawara	D28/36
D609,403	S	*	2/2010	Cho	D28/36
D631,197	S	*	1/2011	Ljunggren	D28/36
D825,849	S	*	8/2018	Carrere	D28/36
2017/0231351	A1	*	8/2017	Cho	A45D 2/48
						132/217
2017/0360175	A1	*	12/2017	You	A45D 2/48

OTHER PUBLICATIONS

Preen Kit. No Pinch. Nickel Free. Professional Eyelash Curler and Refill Pads. Dramatic Lash look in Seconds! Works with False or Natural Eyelashes. Black. Satisfaction Guarantee! Vegan, Cruelty-Free. https://www.amazon.com/Professional-Dramatic-Eyelashes-Satisfaction-Guarantee/dp/B07DN2C3VP/ref=sr_1_89?keywords=Eyelash+curler&qid=1576495320&sr=8-89.

Eyelash Curler,Hizek 3 in 1 Mini Eyelash Curler Kit with Partial Eyelash Curler, Eyelash Extension Tweezers and Silicone Refill Pads,for Eyelashes Curling Natural and Long Lasting (Grey Silver) https://www.amazon.com/Hizek-Extension-Tweezers-Silicone-Eyelashes/dp/B07YWPW2T2/ref=sr_1_6?keywords=Eyelash+curler&qid=1576495457&sr=8-6.

* cited by examiner

Primary Examiner — Jennifer Rivard

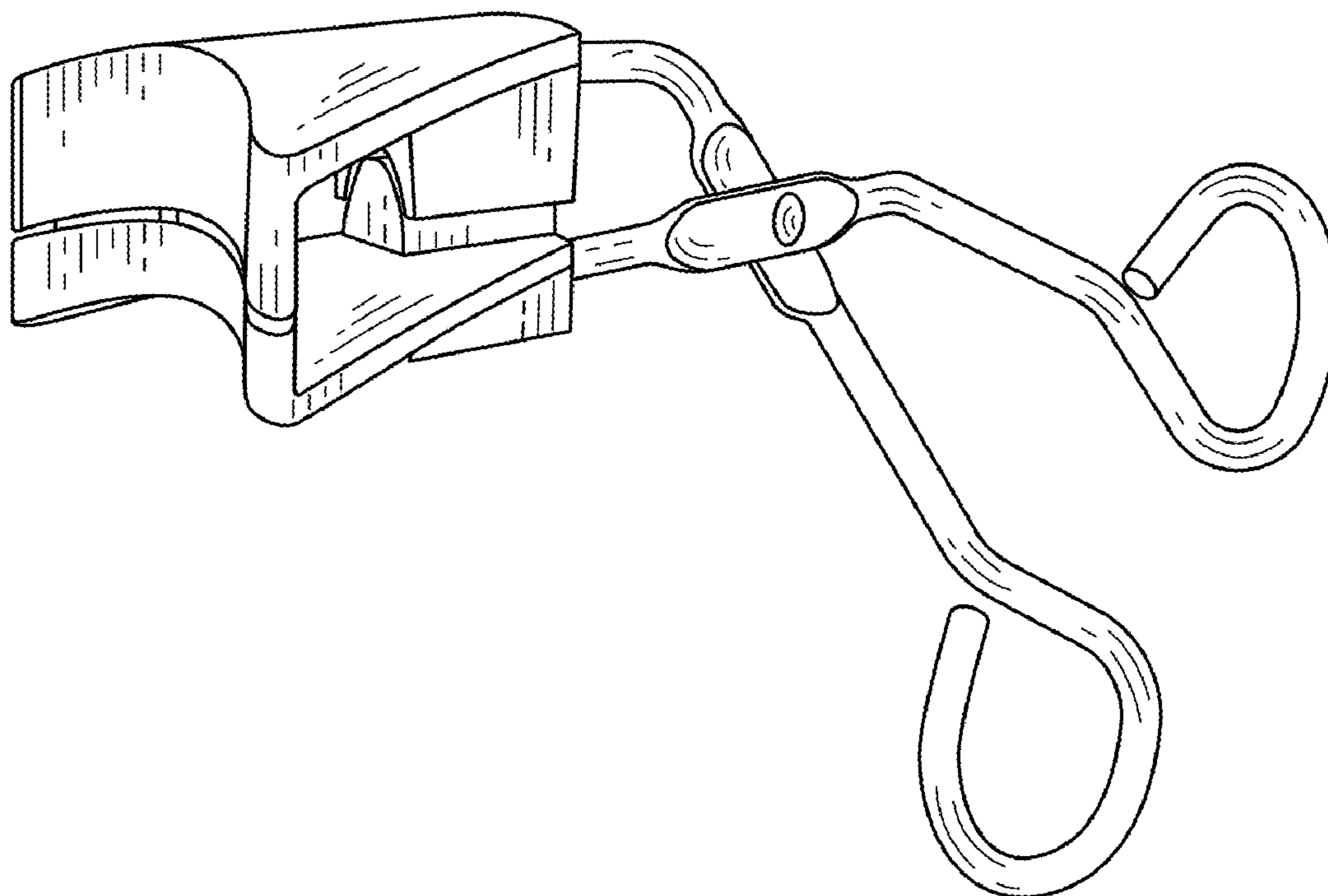
(57) **CLAIM**

The ornamental design for an eyelash curler, as shown and described.

DESCRIPTION

FIG. 1 is a perspective view of an eyelash curler showing my new design;
FIG. 2 is a front elevational view thereof;
FIG. 3 is a rear elevational view thereof;
FIG. 4 is a left side elevational view thereof;
FIG. 5 is a right side elevational view thereof;
FIG. 6 is a top plan view thereof;
FIG. 7 is a bottom plan view thereof; and,
FIG. 8 is another perspective view in the opened condition.

1 Claim, 8 Drawing Sheets



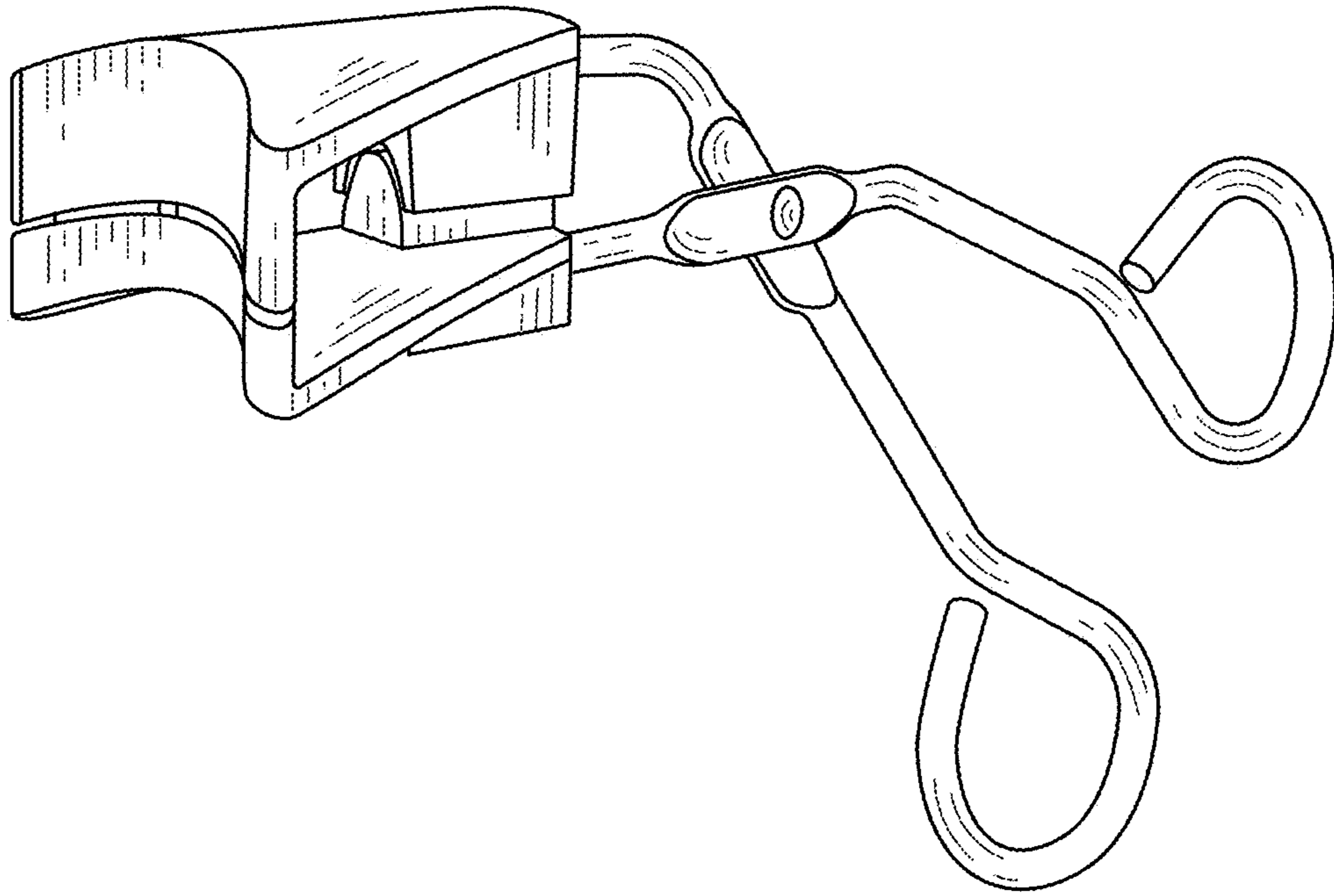


FIG.1

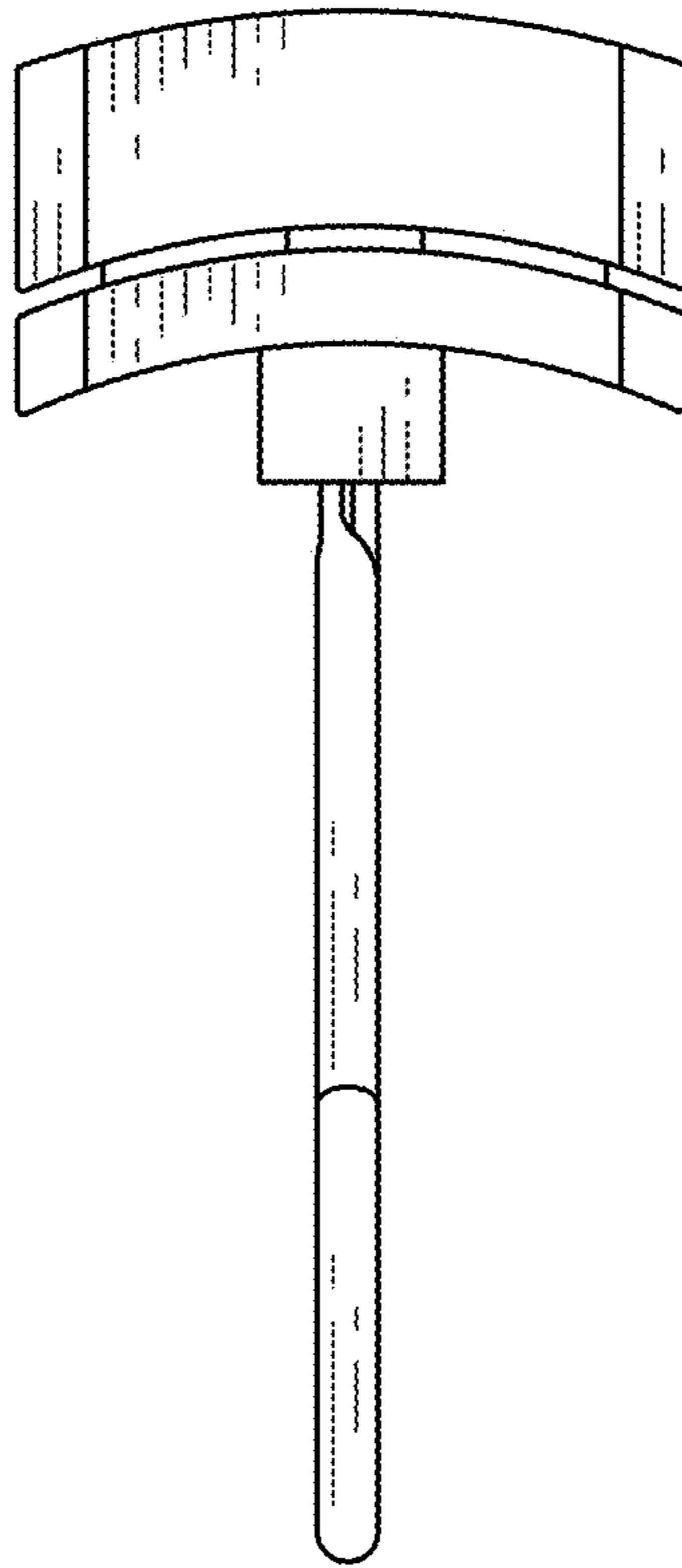


FIG.2

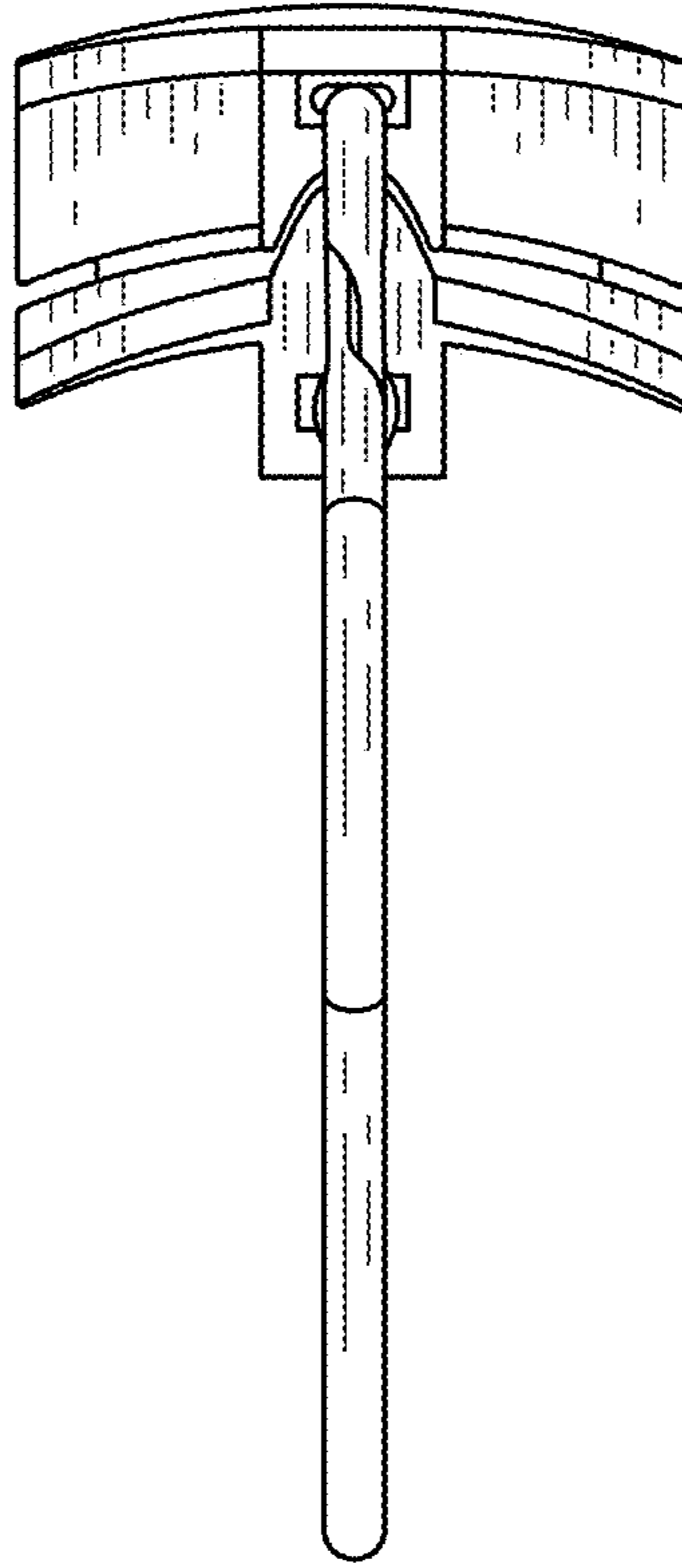


FIG.3

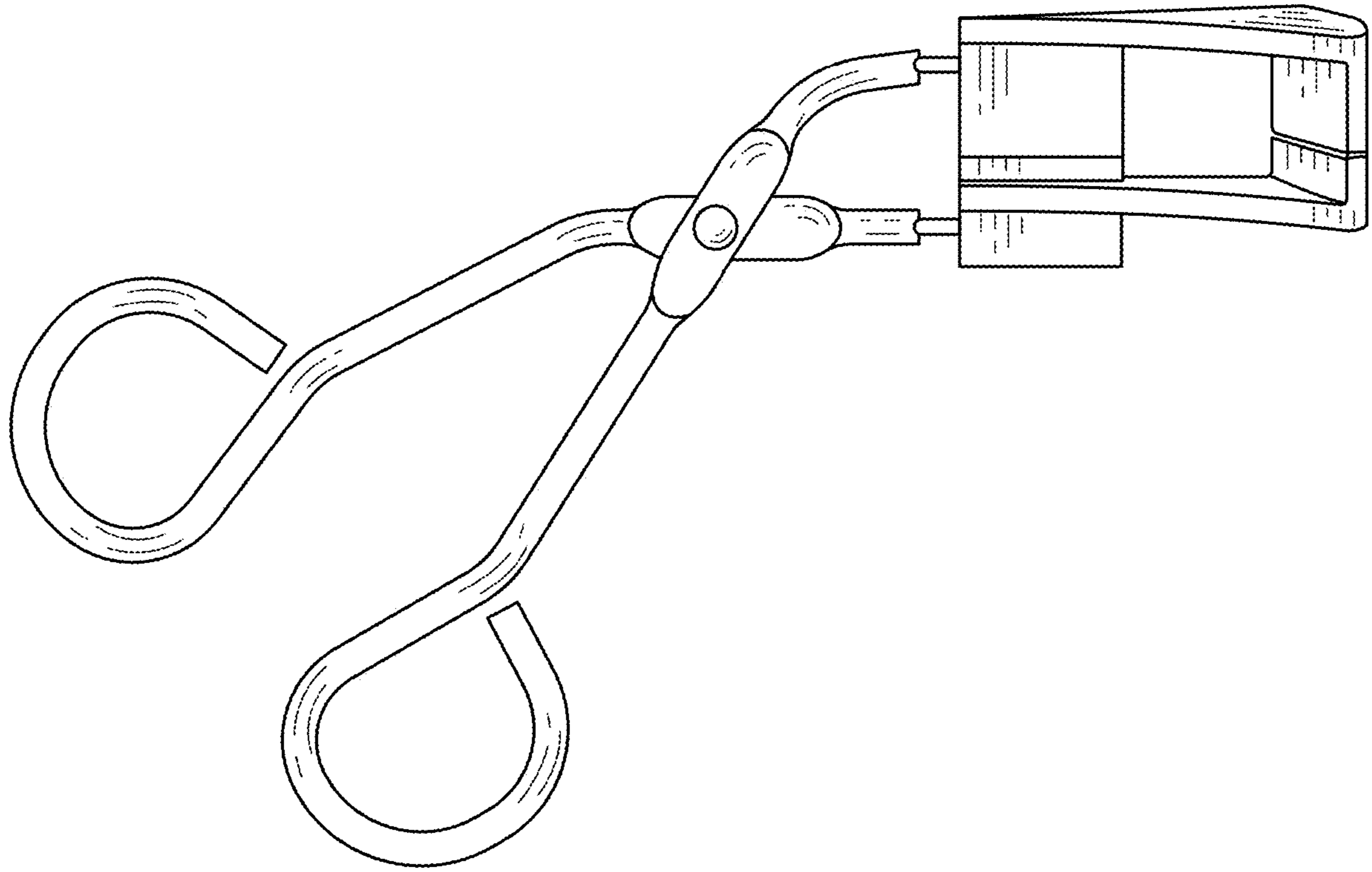


FIG.4

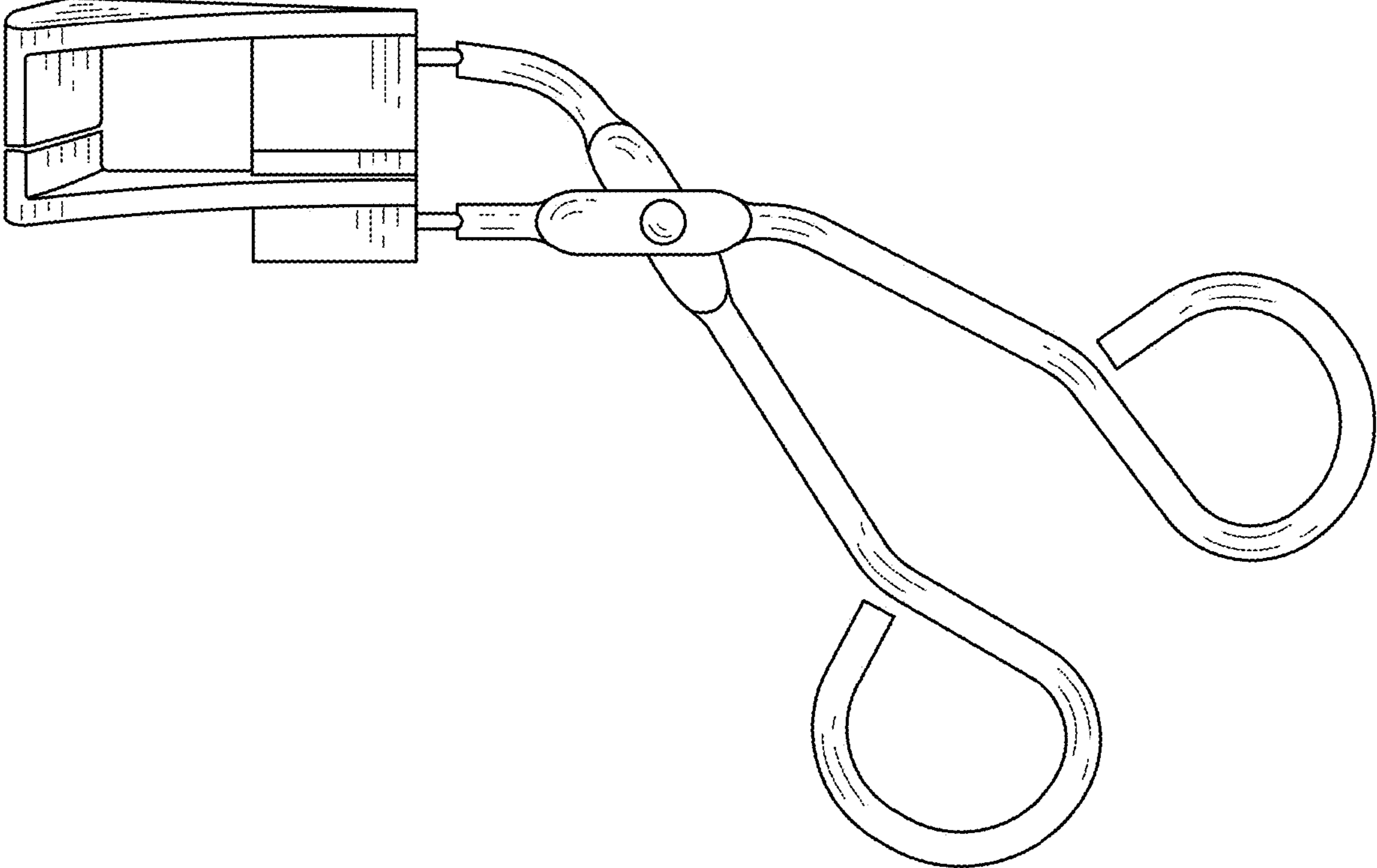


FIG.5

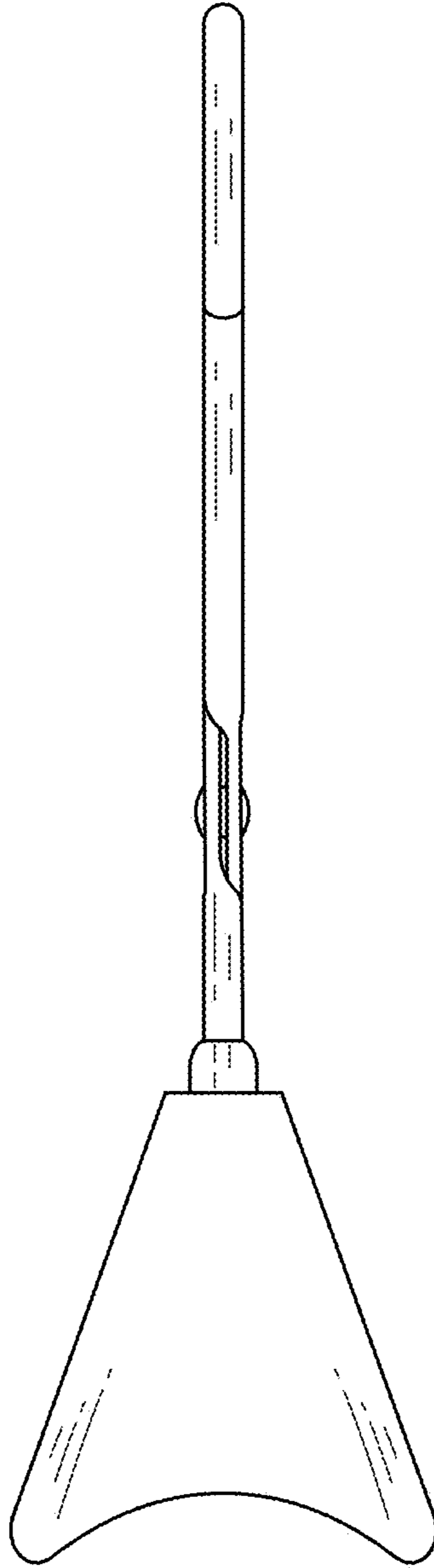


FIG.6

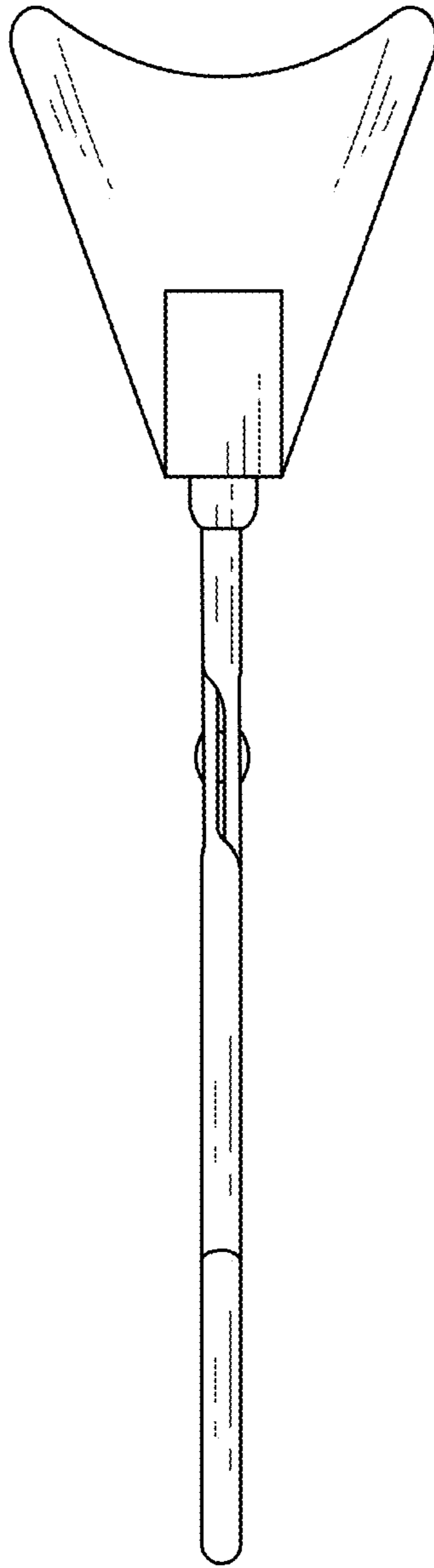


FIG.7

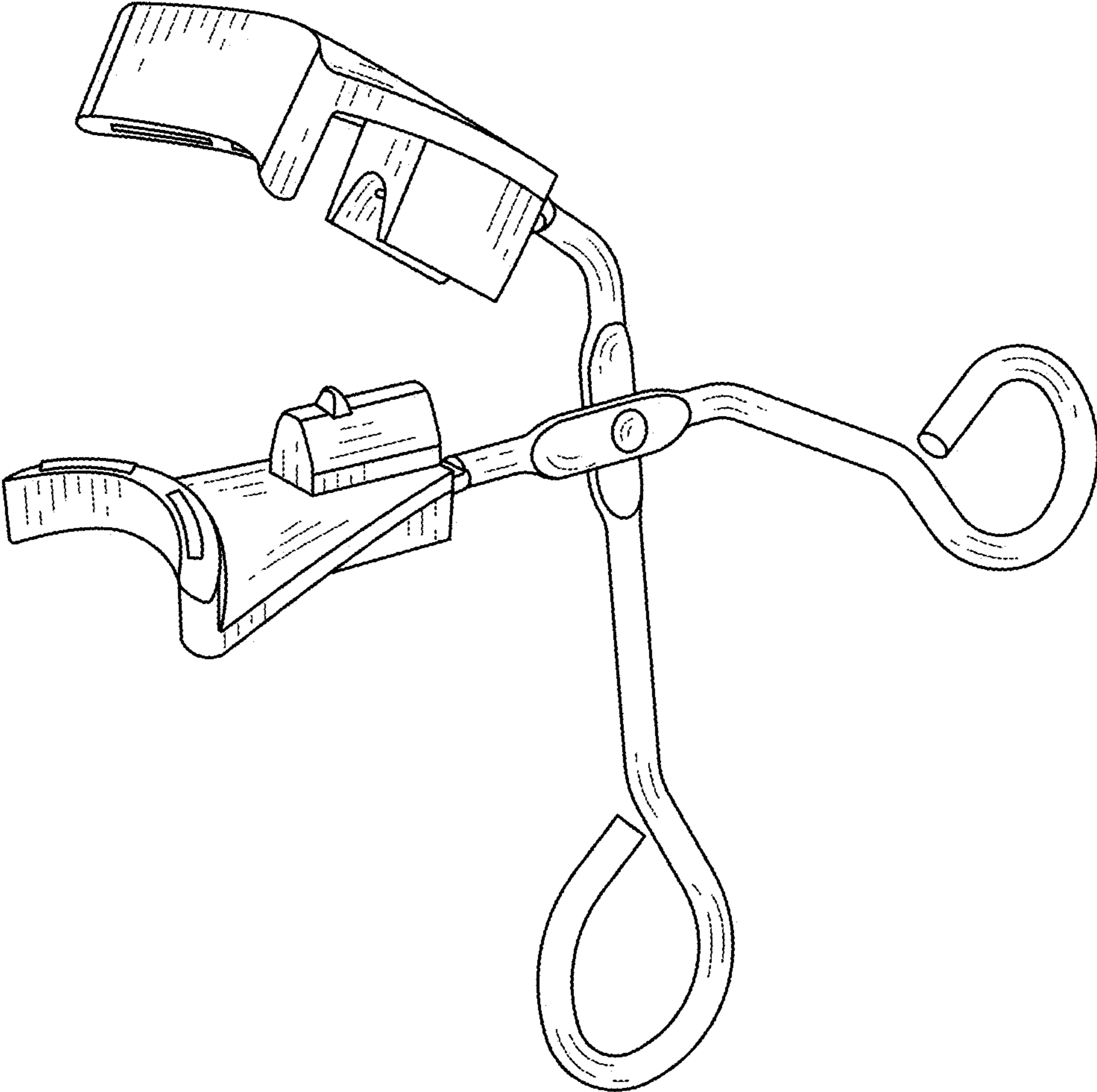


FIG.8