



US00D884272S

(12) **United States Design Patent**  
**Liao**

(10) **Patent No.:** **US D884,272 S**  
(45) **Date of Patent:** **\*\* May 12, 2020**

(54) **RECHARGEABLE STRAIGHT HAIR IRON**  
(71) Applicant: **DONGGUAN SHENGMING INDUSTRIAL CO., LTD**, Dongguan (CN)  
(72) Inventor: **Shengwang Liao**, Ganzhou (CN)  
(73) Assignee: **DONGGUAN SHENGMING INDUSTRIAL CO., LTD**, Dongguan (CN)

D838,039 S 1/2019 Zhou  
D838,907 S \* 1/2019 Bates ..... D28/35  
D850,002 S \* 5/2019 Bates ..... D28/35  
D865,287 S \* 10/2019 Feng ..... D28/35  
D867,659 S 11/2019 Zhou  
D870,968 S \* 12/2019 Peng ..... D28/35  
D875,311 S \* 2/2020 Yang ..... D28/35  
D877,413 S \* 3/2020 Lin ..... D28/35

\* cited by examiner

*Primary Examiner* — Jennifer Rivard

(\*\*) Term: **15 Years**

(57) **CLAIM**

(21) Appl. No.: **29/718,660**

The ornamental design for a rechargeable straight hair iron, as shown and described.

(22) Filed: **Dec. 27, 2019**

**DESCRIPTION**

(51) **LOC (12) Cl.** ..... **28-03**

(52) **U.S. Cl.**

USPC ..... **D28/35**

(58) **Field of Classification Search**

USPC ..... D28/35

CPC ..... A45D 2001/004; A45D 2/36-367; A45D 2/02; A45D 2/12; A45D 2/122; A45D 2/38; A45D 2/40; A45D 2/01; A45D 1/28; A45D 1/00; A45D 1/06; A45D 1/14; A45D 1/16; A45D 2001/045; A45D 1/04

See application file for complete search history.

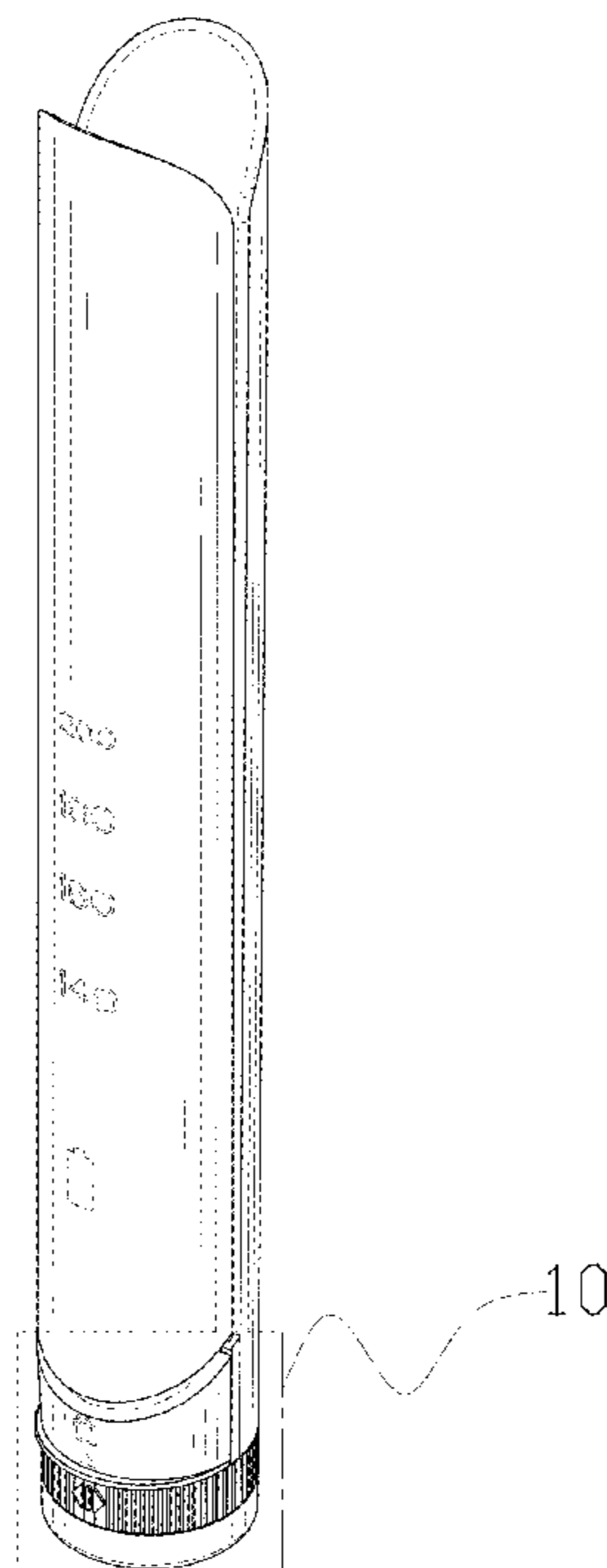
FIG. 1 is a perspective view of a rechargeable straight hair iron showing my new design;  
FIG. 2 is another perspective view thereof;  
FIG. 3 is a front elevational view thereof;  
FIG. 4 is a rear elevational view thereof;  
FIG. 5 is a left side elevational view thereof;  
FIG. 6 is a right side elevational view thereof;  
FIG. 7 is a top plan view thereof;  
FIG. 8 is a bottom plan view thereof;  
FIG. 9 is a perspective view of the rechargeable straight hair iron where the rechargeable straight hair iron is in a configuration of use; and,  
FIG. 10 is an enlarged view of portion 10 shown in FIG. 1. The broken lines in the drawings depict portions of the rechargeable straight hair iron that form no part of the claimed design.

(56) **References Cited**

**U.S. PATENT DOCUMENTS**

D514,252 S 1/2006 Shin  
D780,374 S \* 2/2017 Yu ..... D28/35  
D832,511 S \* 10/2018 Chandra ..... D28/35  
D833,070 S \* 11/2018 Chandra ..... D28/35

**1 Claim, 10 Drawing Sheets**



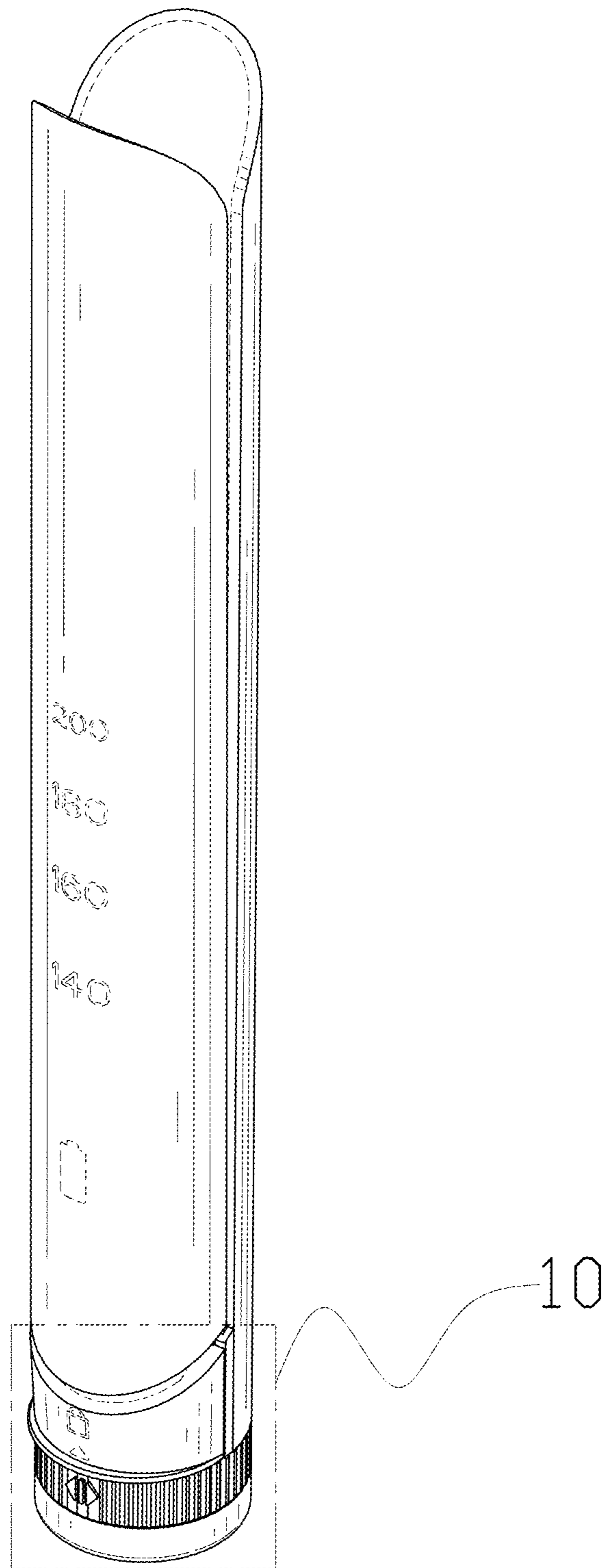


FIG. 1

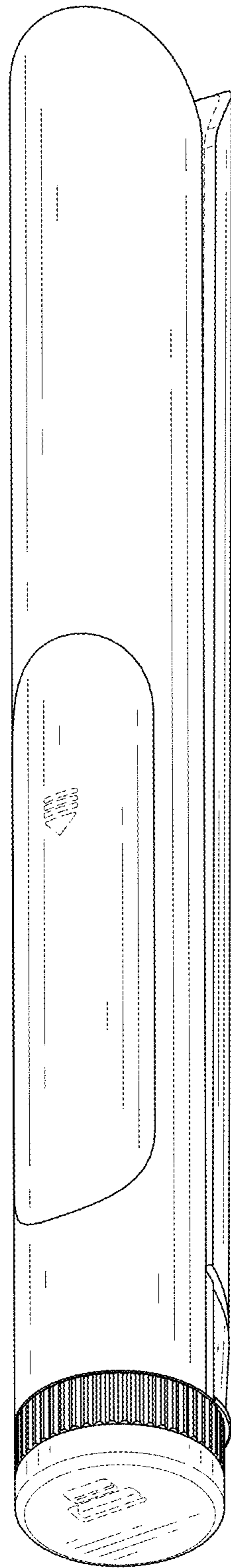


FIG. 2

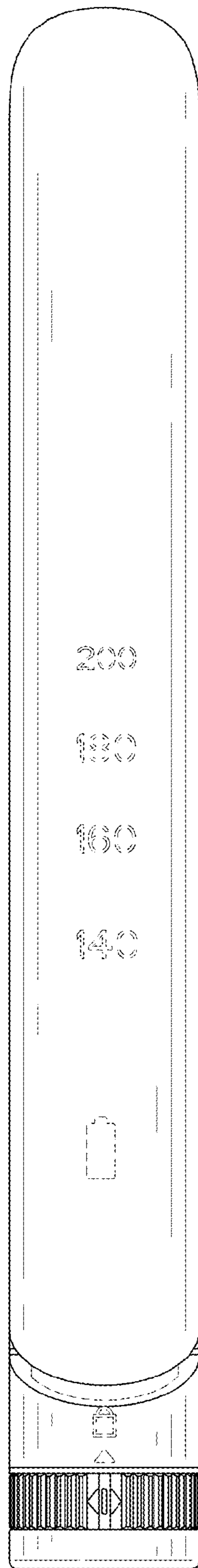


FIG. 3

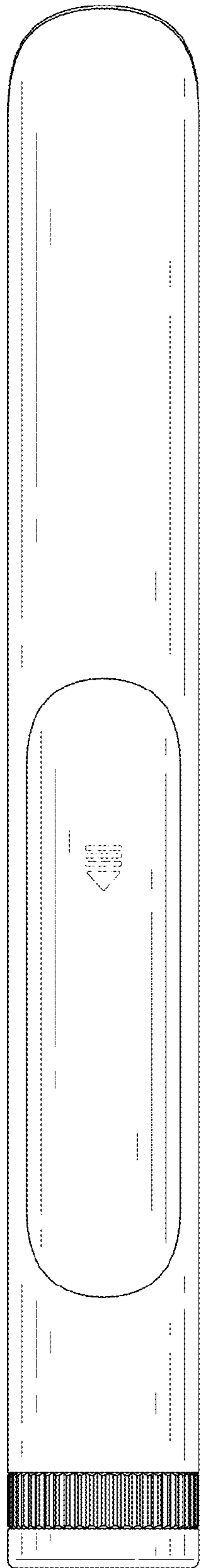


FIG. 4

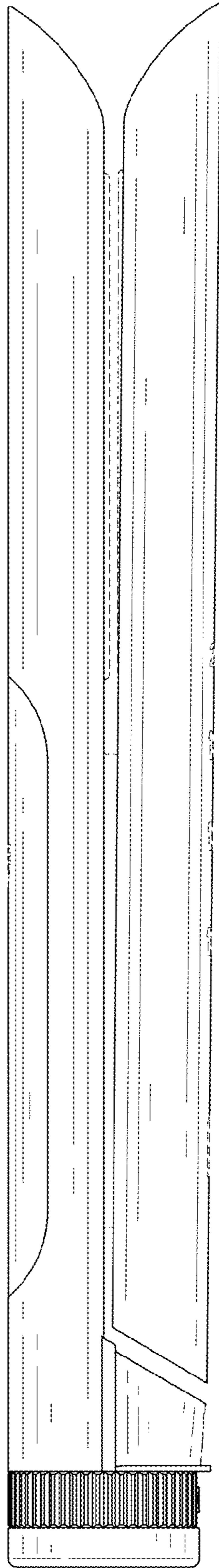


FIG. 5

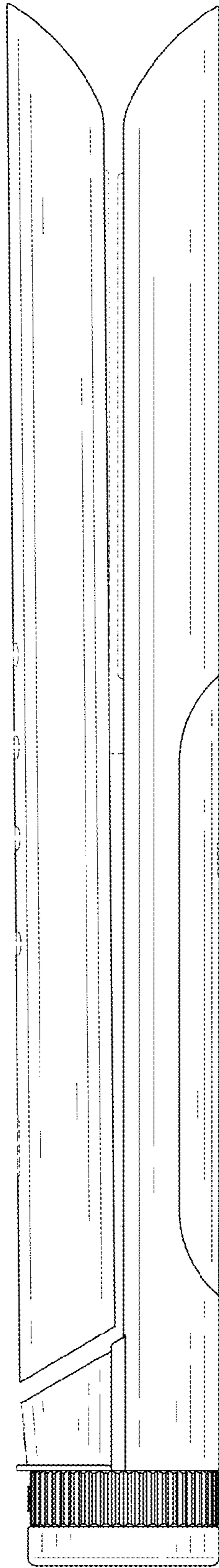


FIG. 6



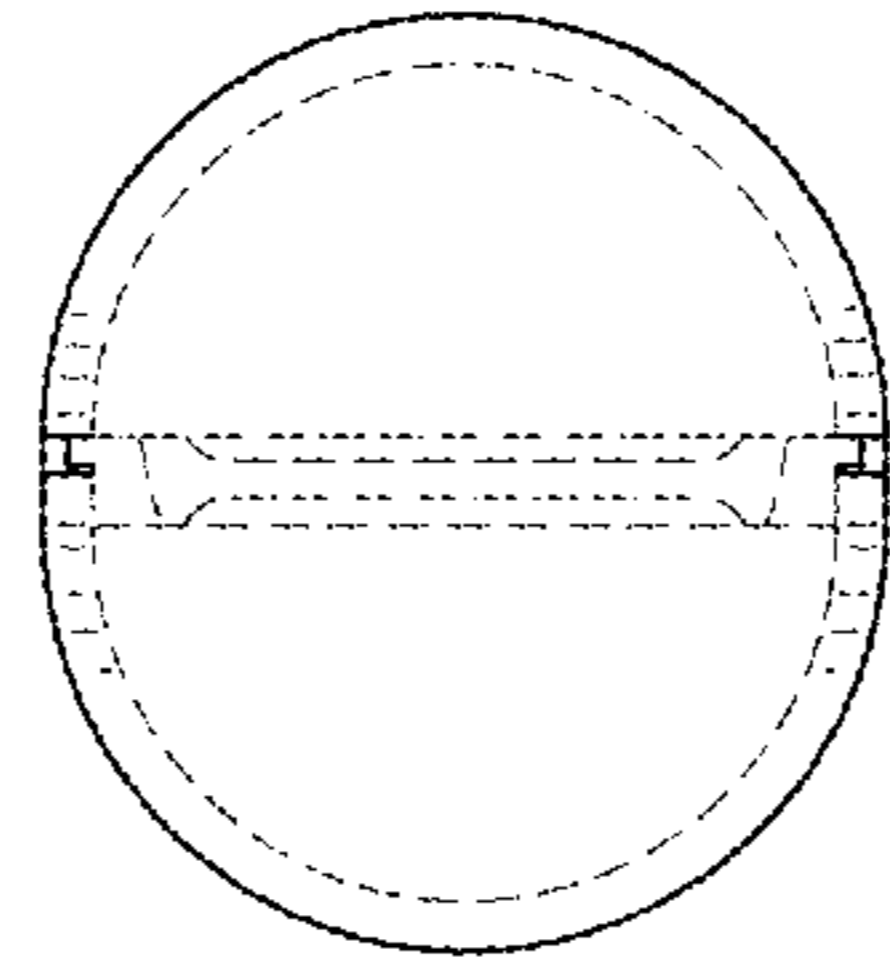


FIG. 7



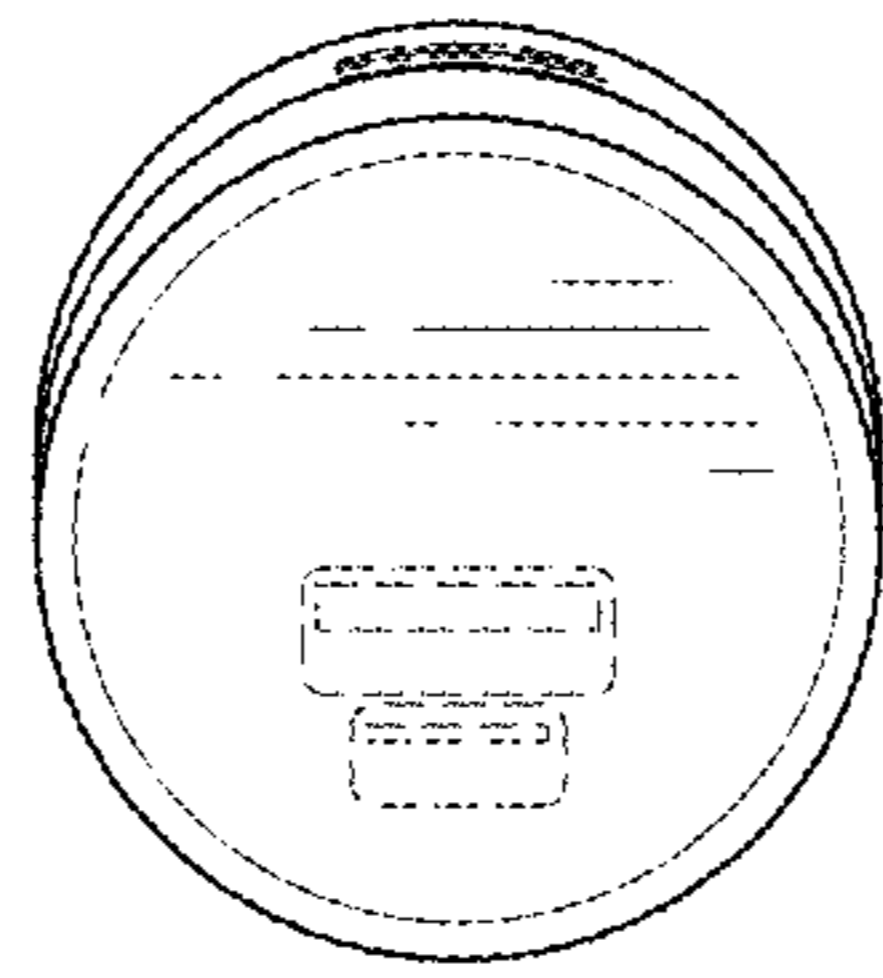


FIG. 8

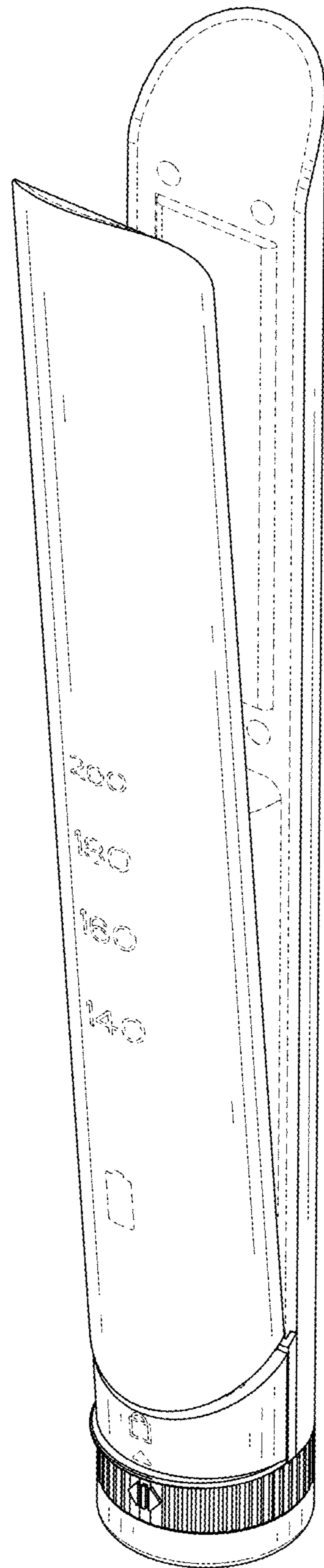


FIG. 9

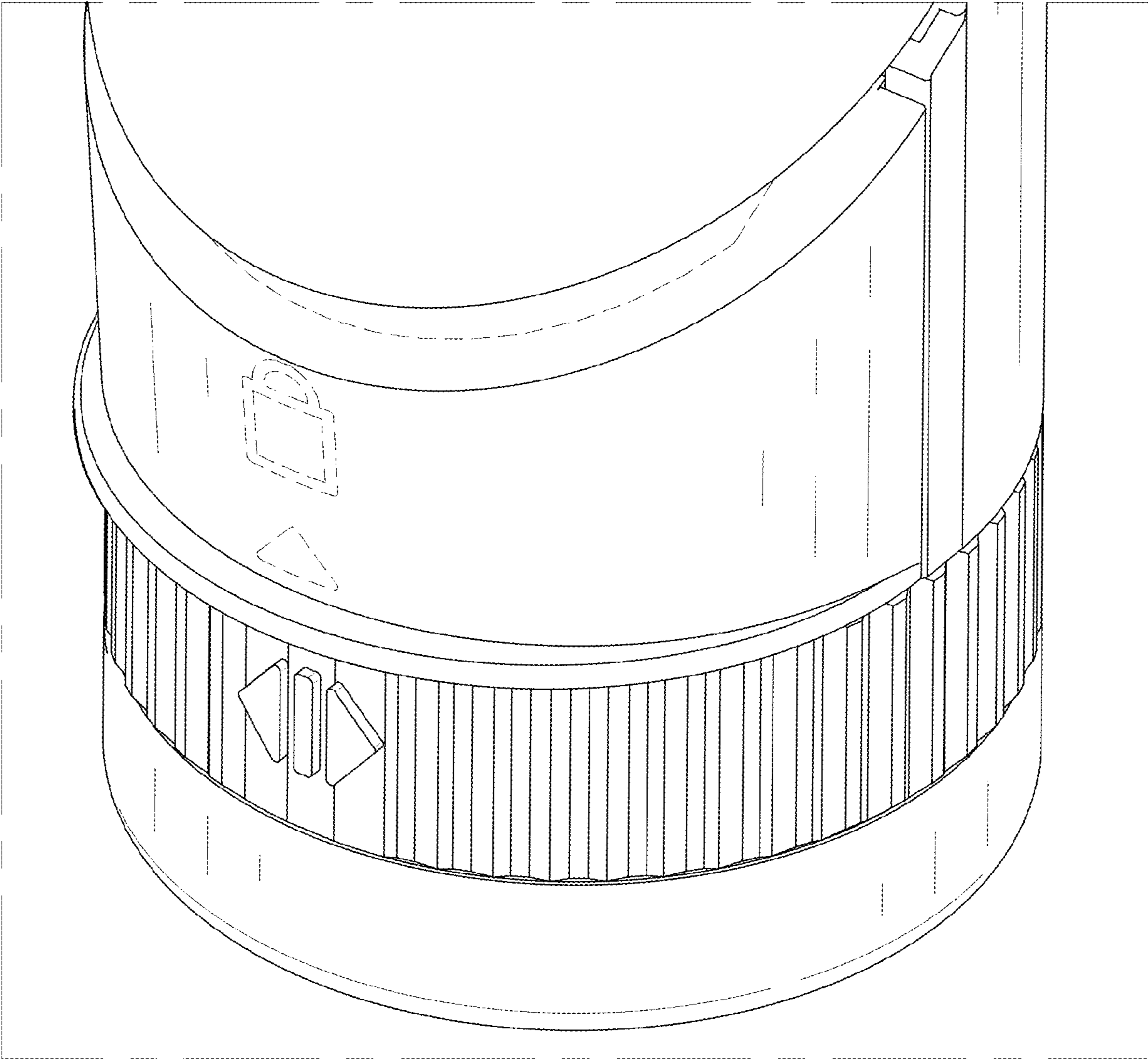


FIG. 10