



US00D884271S

(12) **United States Design Patent** (10) **Patent No.:** **US D884,271 S**
Liao (45) **Date of Patent:** **** May 12, 2020**

(54) **RECHARGEABLE HAIR CURLING IRON**
(71) Applicant: **DONGGUAN SHENGMING INDUSTRIAL CO., LTD**, Dongguan (CN)
(72) Inventor: **Shengwang Liao**, Ganzhou (CN)
(73) Assignee: **DONGGUAN SHENGMING INDUSTRIAL CO., LTD**, Dongguan (CN)

D765,910 S 9/2016 Bermudez et al.
D779,728 S 2/2017 Bermudez et al.
D821,031 S * 6/2018 Feng D28/35
D833,676 S * 11/2018 Lee D28/35
D851,831 S * 6/2019 Fan D28/35
D872,360 S * 1/2020 Abramov D28/35
2019/0261757 A1 * 8/2019 Abramov A45D 2/2464

(**) Term: **15 Years**
(21) Appl. No.: **29/718,655**
(22) Filed: **Dec. 27, 2019**
(51) **LOC (12) Cl.** **28-03**
(52) **U.S. Cl.** **D28/35**
USPC **D28/35**
(58) **Field of Classification Search**
USPC D28/35
CPC A45D 2001/004; A45D 2/36-367; A45D 2/02; A45D 2/12; A45D 2/122; A45D 2/38; A45D 2/40; A45D 2/01; A45D 1/28; A45D 1/00; A45D 1/06; A45D 1/14; A45D 1/16; A45D 2001/045; A45D 1/04
See application file for complete search history.

OTHER PUBLICATIONS

Unbound Cordless Curling Iron, 1 page, downloaded Mar. 16, 2020, www.amazon.com.*

* cited by examiner

Primary Examiner — Jennifer Rivard

(57) **CLAIM**

The ornamental design for a rechargeable hair curling iron, as shown and described.

DESCRIPTION

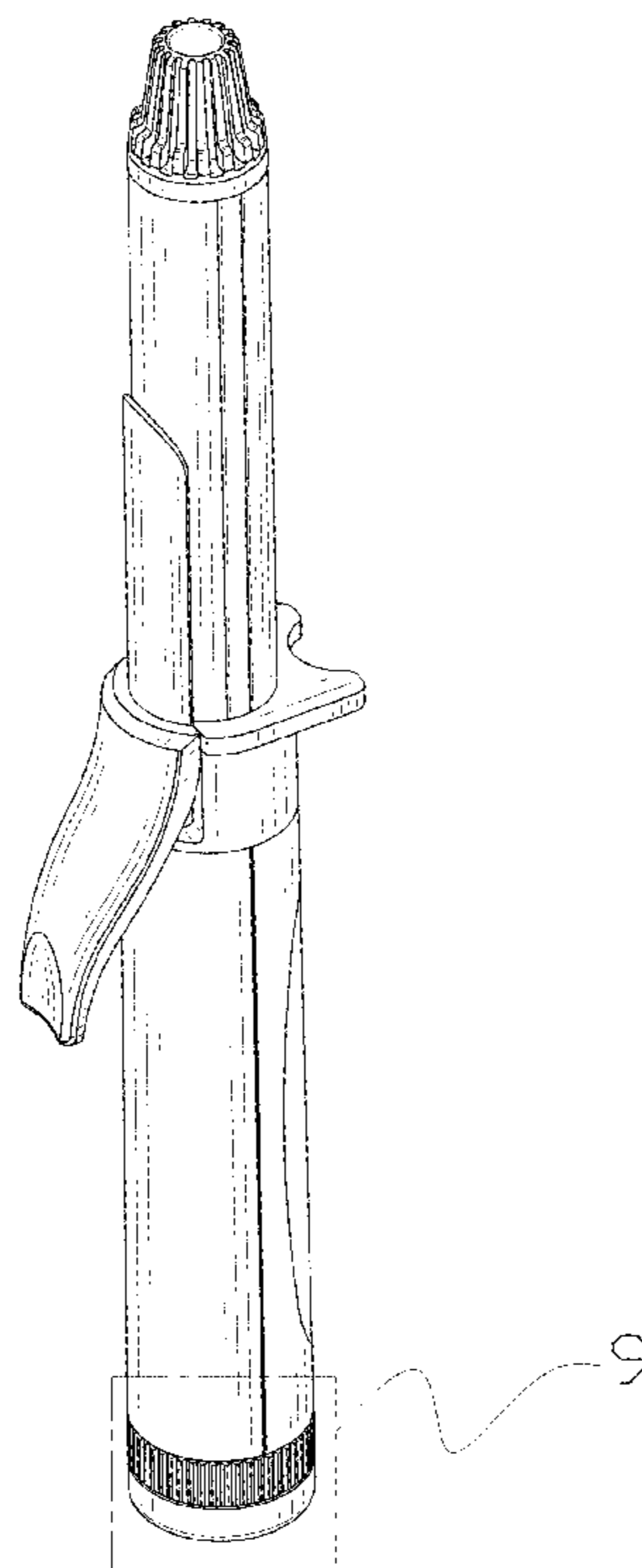
FIG. 1 is a perspective view of a rechargeable hair curling iron showing my new design;
FIG. 2 is another perspective view thereof;
FIG. 3 is a front elevational view thereof;
FIG. 4 is a rear elevational view thereof;
FIG. 5 is a left side elevational view thereof;
FIG. 6 is a right side elevational view thereof;
FIG. 7 is a top plan view thereof;
FIG. 8 is a bottom plan view thereof; and,
FIG. 9 is an enlarged view of portion 9 shown in FIG. 1.
The broken lines in the drawings depict portions of the rechargeable hair curling iron that form no part of the claimed design.

(56) **References Cited**

U.S. PATENT DOCUMENTS

D457,683 S 5/2002 Spagnolo
D629,563 S * 12/2010 Mau D28/35

1 Claim, 9 Drawing Sheets



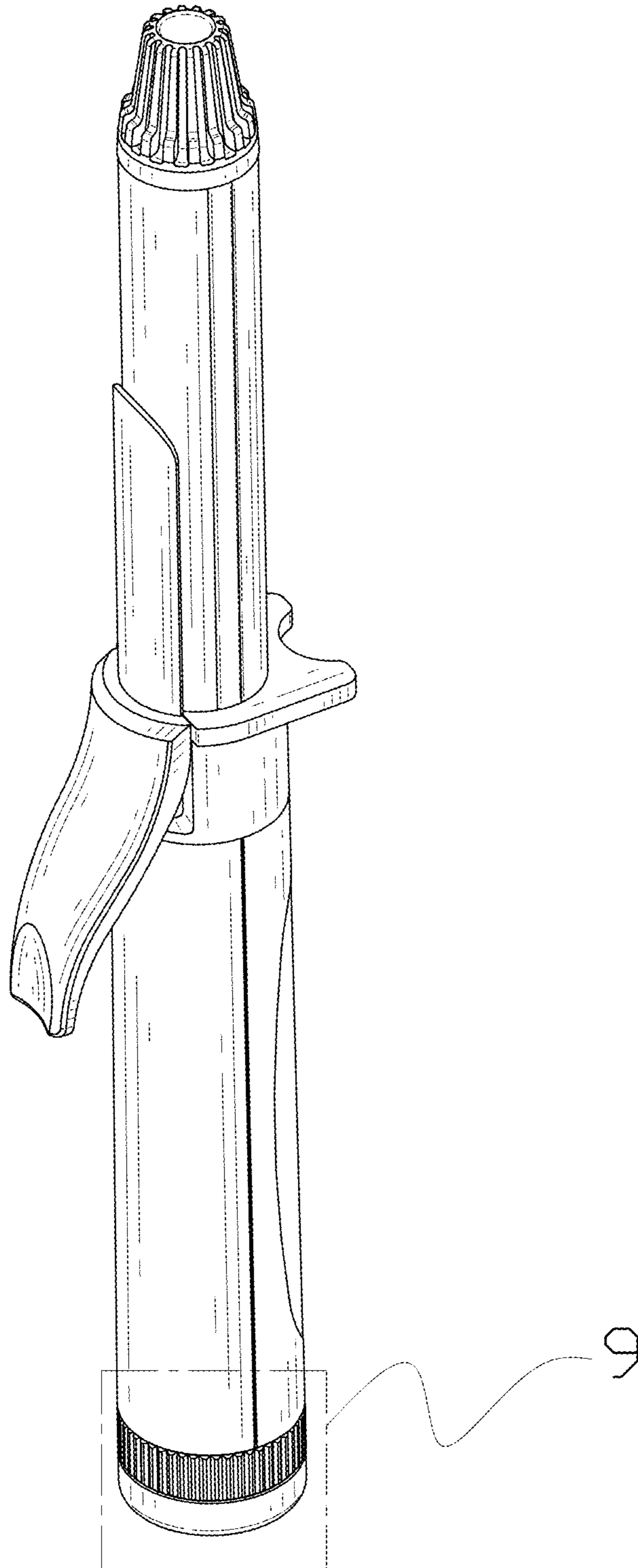


FIG. 1

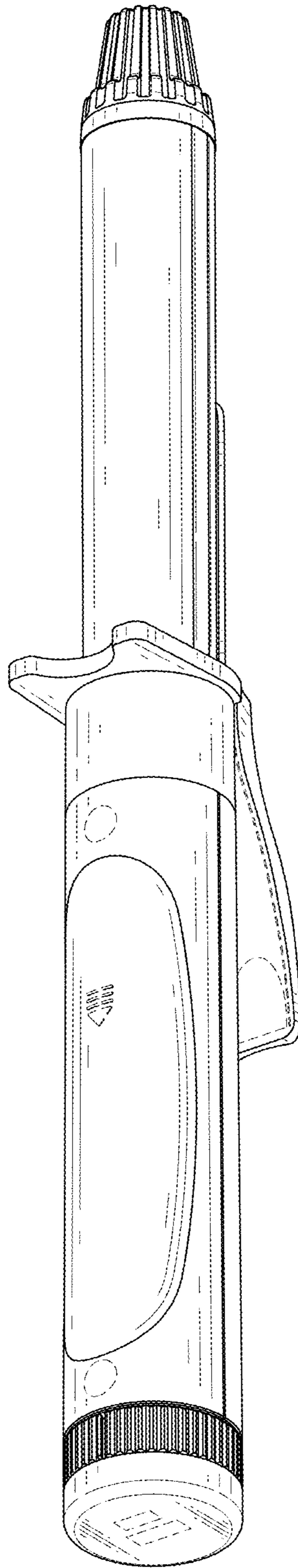


FIG. 2

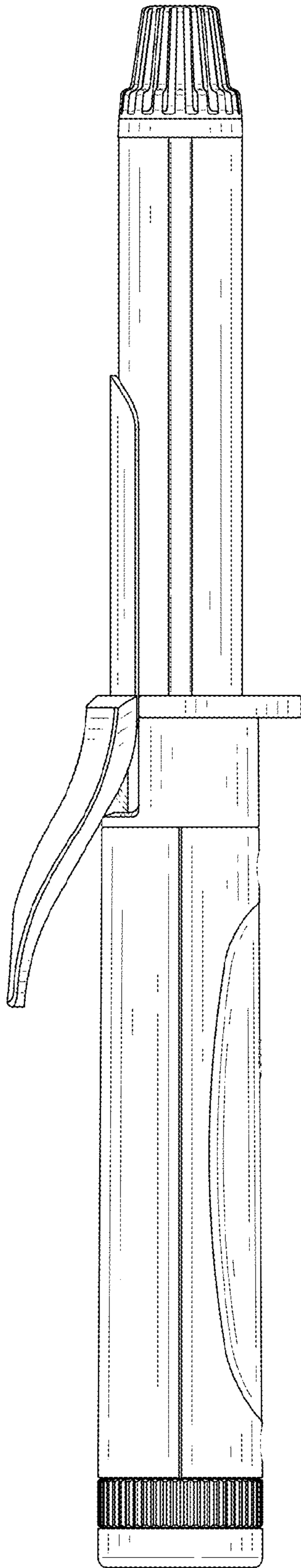


FIG. 3

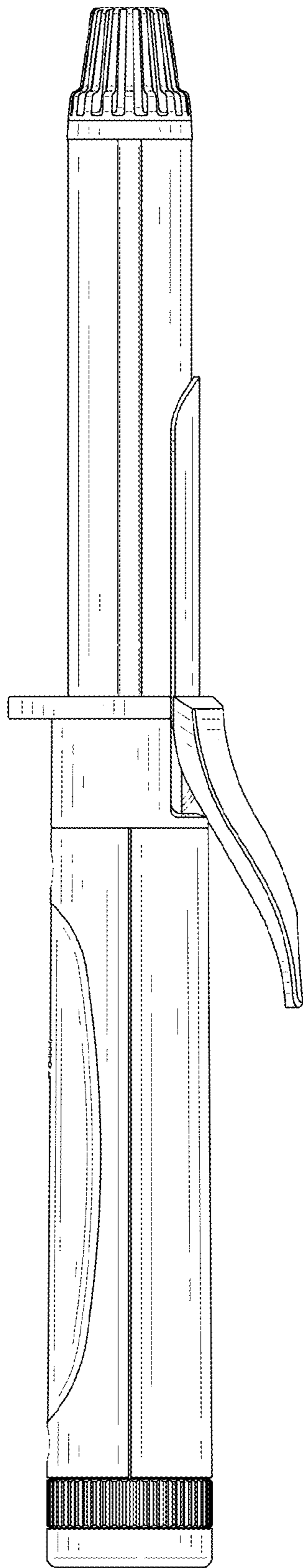


FIG. 4

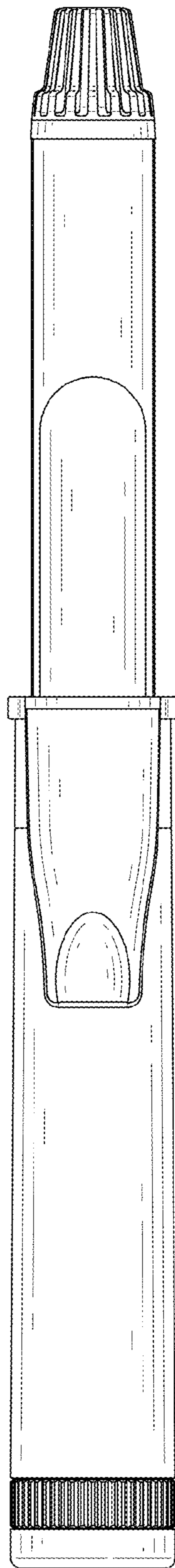


FIG. 5

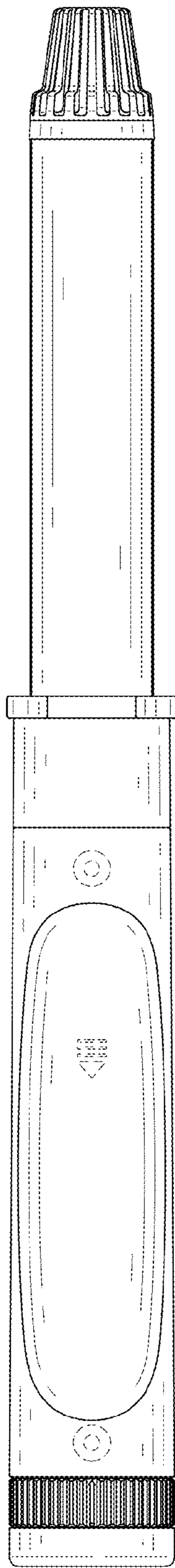


FIG. 6

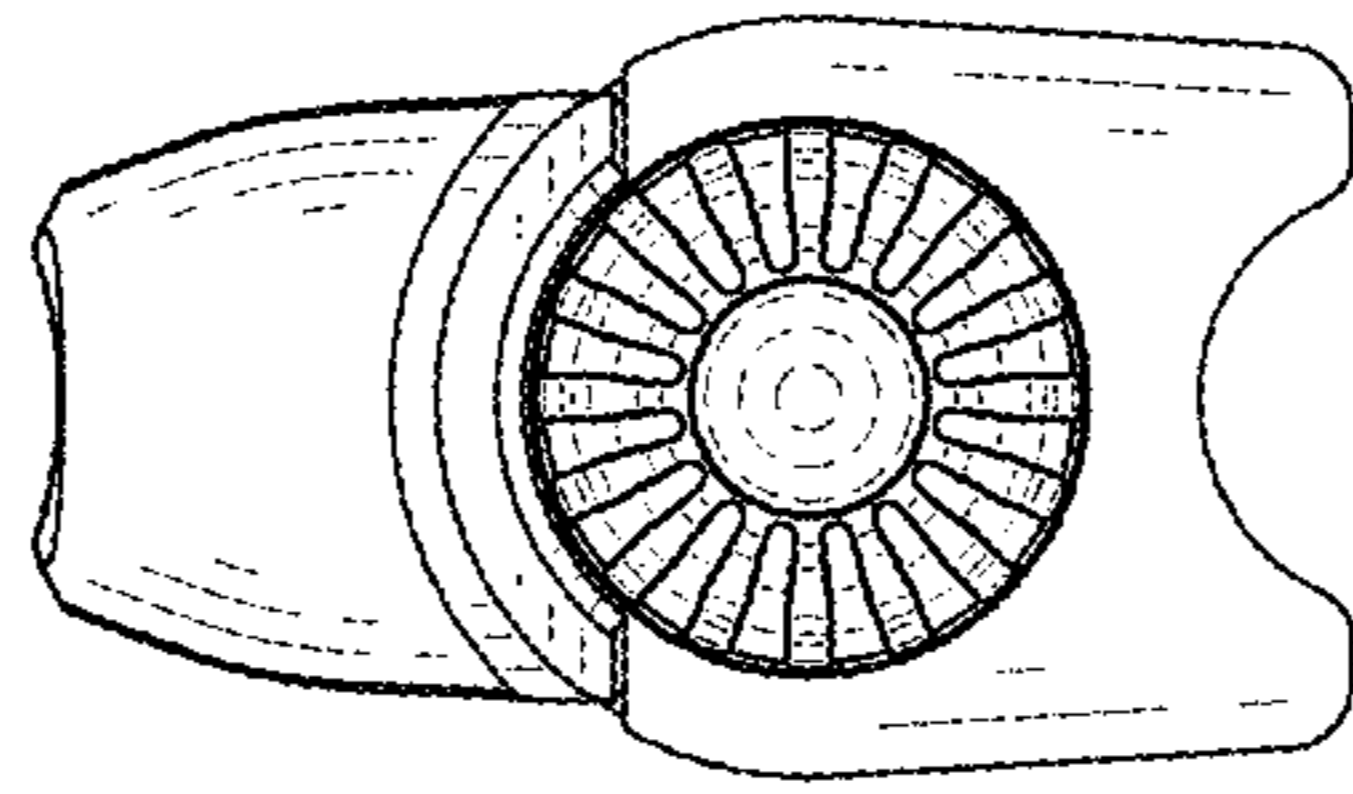


FIG. 7

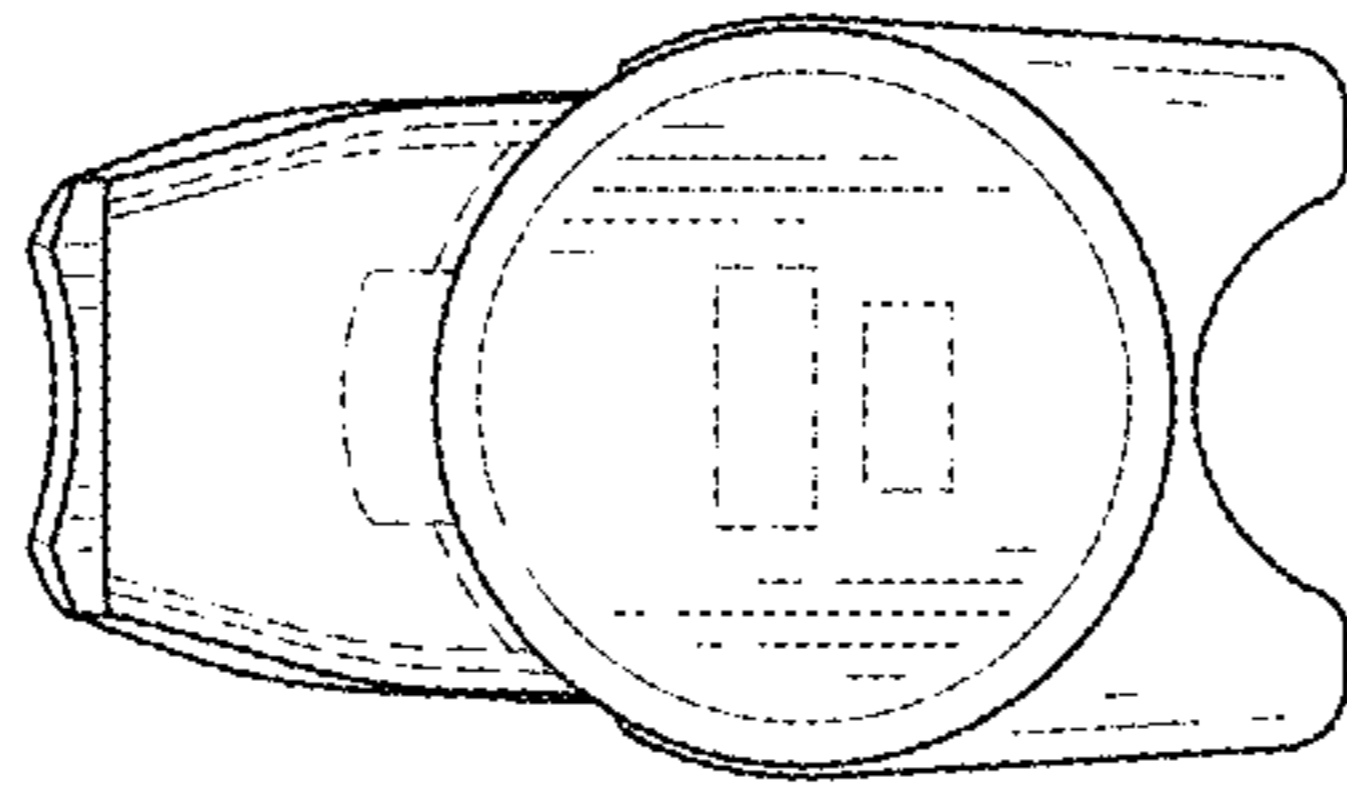


FIG. 8

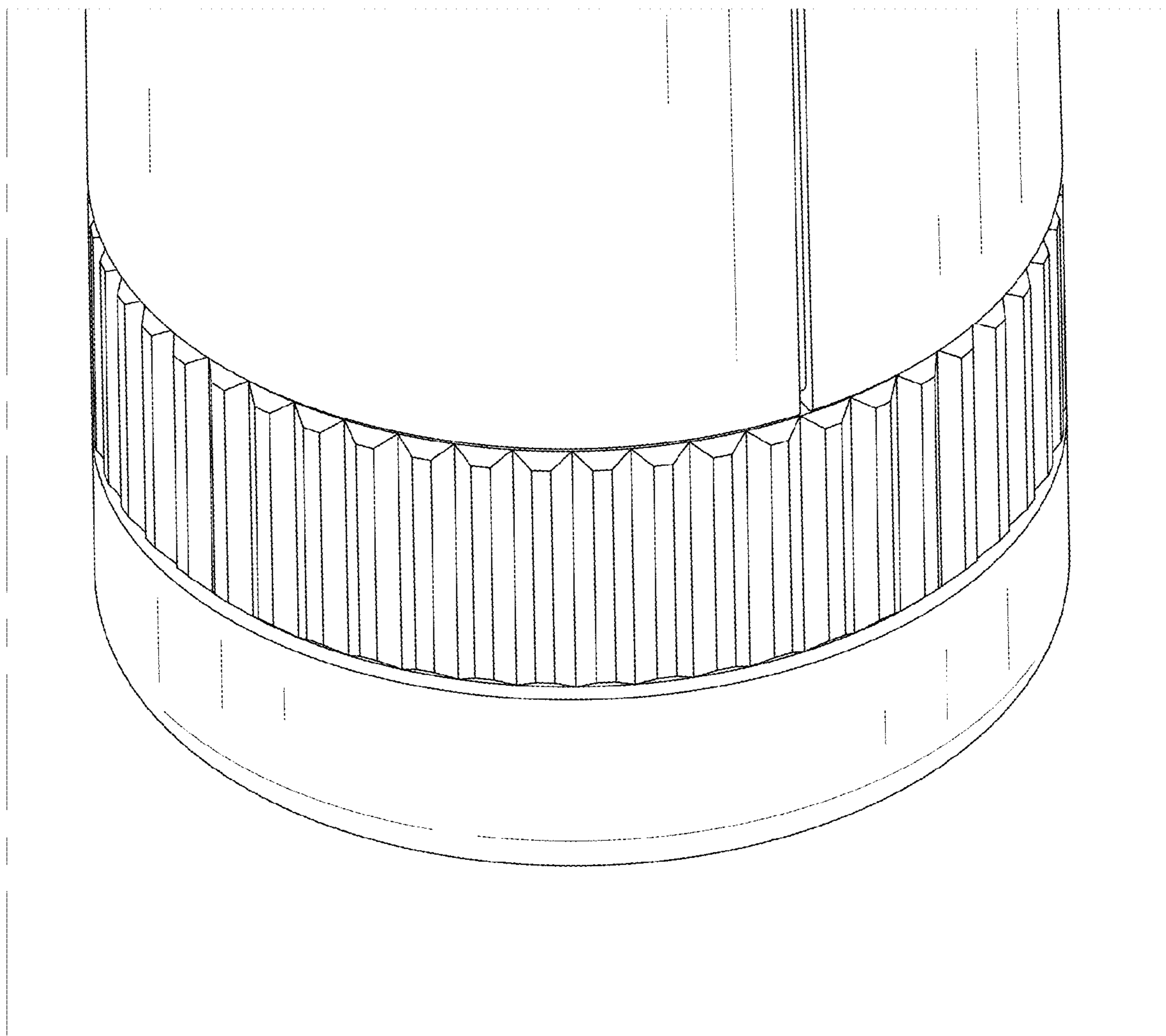


FIG. 9