



US00D884270S

(12) **United States Design Patent** (10) **Patent No.:** **US D884,270 S**
Meranus (45) **Date of Patent:** **** May 12, 2020**

(54) **CARTRIDGE**

(56) **References Cited**

(71) Applicant: **Margaret Spicer Meranus**, Cincinnati, OH (US)

U.S. PATENT DOCUMENTS

(72) Inventor: **Margaret Spicer Meranus**, Cincinnati, OH (US)

1,823,814 A 9/1931 Aiello
D204,581 S 4/1966 Coulson
D286,465 S 11/1986 Attwood
(Continued)

(**) Term: **15 Years**

OTHER PUBLICATIONS

(21) Appl. No.: **29/669,376**

“Baby-Kids Finger Toothbrush”, internet search at www.aliexpress.com/item/2pcs-baby-kids-finger-toothbrush-soft-silicone-infant-newborn-brush-tool-baby-teether-training-toothbrush, available to inventor prior to Dec. 19, 2016 (3 pages).

(22) Filed: **Nov. 7, 2018**

(Continued)

Related U.S. Application Data

(63) Continuation of application No. 16/180,329, filed on Nov. 5, 2018, now Pat. No. 10,455,920, and a continuation-in-part of application No. 29/588,152, filed on Dec. 19, 2016, now Pat. No. Des. 837,653.

Primary Examiner — Michael C Stout

Assistant Examiner — Katrina N Gonzalez

(74) *Attorney, Agent, or Firm* — Daniel F. Nesbitt; Hasse & Nesbitt LLC

(51) **LOC (12) Cl.** **28-02**

(57) **CLAIM**

(52) **U.S. Cl.**

I claim the ornamental design for a cartridge, as shown and described.

USPC **D28/7; D4/104**

(58) **Field of Classification Search**

DESCRIPTION

USPC D3/201, 203.1, 203.2, 203.3, 203.6, 205, D3/207, 211, 212, 215, 229, 230.269, D3/273, 901, 903; D11/1, 7, 12, 79, 80, D11/86, 87; D28/4, 7, 8, 8.1, 8.2, 9, 56, D28/57, 59, 61, 76, 77, 78, 81, 82, 85, D28/86, 87, 88, 89, 90, 91, 91.1, 99; D4/100–102, 104–113, 116, 117, D4/119–121, 127, 128, 130–138, 199; D30/158; D9/512, 516, 519, 520, 521, D9/522, 527–531, 533, 536–539, 541, D9/543, 540, 542, 544, 545, 550, 553, D9/556–559, 563–567, 651, 737, 738, D9/549, 551, 555, 560, 504, 432, 726, D9/502

FIG. 1 is a top left perspective view of a cartridge, showing my new design.

FIG. 2 is a front view thereof, the rear view being a mirror image;

FIG. 3 is a left view thereof, the right view being a mirror image;

FIG. 4 is a top view thereof;

FIG. 5 is a bottom view thereof; and,

FIG. 6 is another top left perspective view of FIG. 1, but shown in an exploded environmental view.

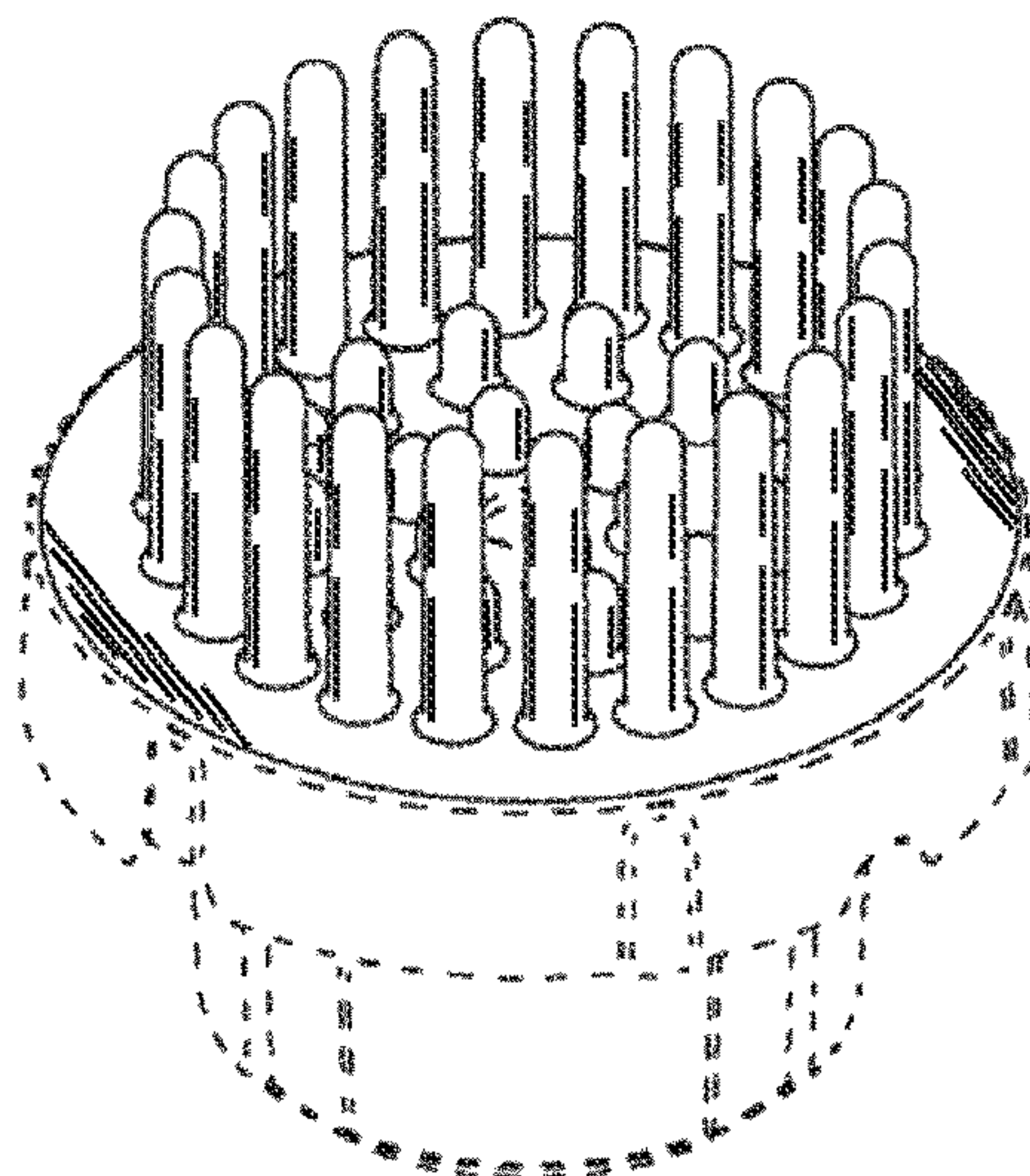
The broken lines shown in FIGS. 1 through 6 illustrate portions of the cartridge.

The broken lines showing the outer container in FIG. 6 illustrates environmental structure. The broken lines form no part of the claimed design.

CPC A45D 34/04; A45D 34/041; A45D 40/26; A45D 40/261; A45D 33/12; A45D 34/06; B65D 83/0011; B65D 83/0005

See application file for complete search history.

1 Claim, 2 Drawing Sheets



(56)

References Cited

U.S. PATENT DOCUMENTS

D292,673 S 11/1987 Woodruff et al.
 D299,488 S 1/1989 Okada
 D317,405 S 6/1991 Yasika
 D319,120 S 8/1991 Kuhn
 D320,083 S 9/1991 Casey
 D363,859 S * 11/1995 Matsick D7/629
 D382,704 S 8/1997 Petruzzi
 D385,414 S 10/1997 Siu
 5,680,679 A 10/1997 May
 6,056,469 A 5/2000 Algorri
 D427,379 S 6/2000 Thorpe
 6,283,658 B1 9/2001 Estevez et al.
 D449,784 S 10/2001 Crawford et al.
 D490,561 S 5/2004 Angeletta
 6,926,166 B1 8/2005 Bitton et al.
 D532,935 S 11/2006 Kostow
 D540,677 S * 4/2007 Stull D9/447
 D555,477 S * 11/2007 Mayers D9/445
 7,309,185 B2 12/2007 Thorpe et al.
 D562,699 S 2/2008 Green et al.
 D564,900 S 3/2008 Green et al.
 D577,583 S 9/2008 Porter et al.
 D587,016 S 2/2009 Yasoshima
 D589,764 S * 4/2009 Randolph D7/700
 7,785,026 B2 8/2010 Eng et al.
 D625,216 S 10/2010 Morgan et al.
 7,954,640 B2 6/2011 West et al.
 D645,340 S 9/2011 Menard
 8,356,952 B2 1/2013 Bennett et al.
 D675,708 S * 2/2013 Smiedt D23/209
 D677,427 S * 3/2013 Ross D27/167
 D693,189 S * 11/2013 Facey D7/354
 D695,111 S * 12/2013 Hansen B65D 85/8043
 D9/429
 8,651,308 B1 * 2/2014 Sung A45D 40/00
 D9/429
 D703,039 S * 4/2014 Hansen D9/429
 8,747,002 B2 6/2014 Izkovitz
 D708,057 S * 7/2014 Hansen D9/429
 D708,402 S * 7/2014 Orgill D30/121
 D708,790 S 7/2014 Schlatter
 D709,652 S 7/2014 Teller
 D710,686 S * 8/2014 Gowens D9/429
 D715,106 S * 10/2014 Wong D7/669
 D720,890 S 1/2015 Shen
 D722,721 S * 2/2015 Ross D27/167

D722,722 S * 2/2015 Ross D27/167
 D732,822 S 6/2015 Griffin et al.
 9,044,079 B2 6/2015 Silvers
 D734,894 S 7/2015 Schlatter
 9,131,758 B2 9/2015 Stein
 D764,806 S * 8/2016 Prat-Pfister D4/127
 D765,512 S * 9/2016 Joulia D28/7
 D769,710 S * 10/2016 Raphaelson D9/428
 D772,481 S * 11/2016 Paquet D28/7
 D783,268 S 4/2017 Shelton
 D787,741 S * 5/2017 Paquet D28/7
 D801,582 S 10/2017 Paquet
 9,950,854 B2 4/2018 Meranus
 D837,653 S * 1/2019 Meranus D9/521
 D843,732 S * 3/2019 Kling D4/127
 D844,996 S * 4/2019 Kymm D4/102
 D851,407 S * 6/2019 Brown D4/127
 D853,127 S * 7/2019 Kling D4/127
 2002/0003983 A1 1/2002 Gueret
 2002/0127046 A1 9/2002 Gueret
 2005/0191110 A1 9/2005 Bitton
 2008/0245104 A1 10/2008 Steele
 2010/0279040 A1 11/2010 West et al.
 2011/0204015 A1 8/2011 West et al.
 2012/0234336 A1 9/2012 Paquet et al.
 2013/0014312 A1 1/2013 Izkovitz
 2018/0072483 A1 3/2018 Meranus

OTHER PUBLICATIONS

“Chanel Lip Gloss Pendant”, internet search at www.google.com/search?q=chanel+lip+gloss+pendant, available to inventor prior to Dec. 19, 2016 (1 page).
 “Dispicable Me Minion Lip Gloss Watch”, internet search at www.birthdaydirect.com/minions-lip-gloss-watch-p-53747.html, available to inventor prior to Dec. 19, 2016 (2 pages).
 “Fresh-Picked Beauty DIY”, 2014, available from www.freshpickedbeauty.com/2014/06/diy-refill-for-eos-lip-balm.html (7 pages).
 Meranus, Margaret Spicer, “Cartridge for an Applicator Container”, 2018, available from www.freepatentsonline.com/y2018/0072483.html (7 pages).
 “My Little Pony Slap Bracelet Lip Gloss Set”, internet result at www.google.com/search?q=my+little+pony+slap+bracelet+lip+gloss+set, available to inventor prior to Dec. 19, 2016 (2 pages).
 “The New Lancome Juicy Shakers Shades—A Certain Romance”, Feb. 16, 2017, available from www.acertainromance.net/lancome-juicy-shakers-review-swatches/ (9 pages).

* cited by examiner

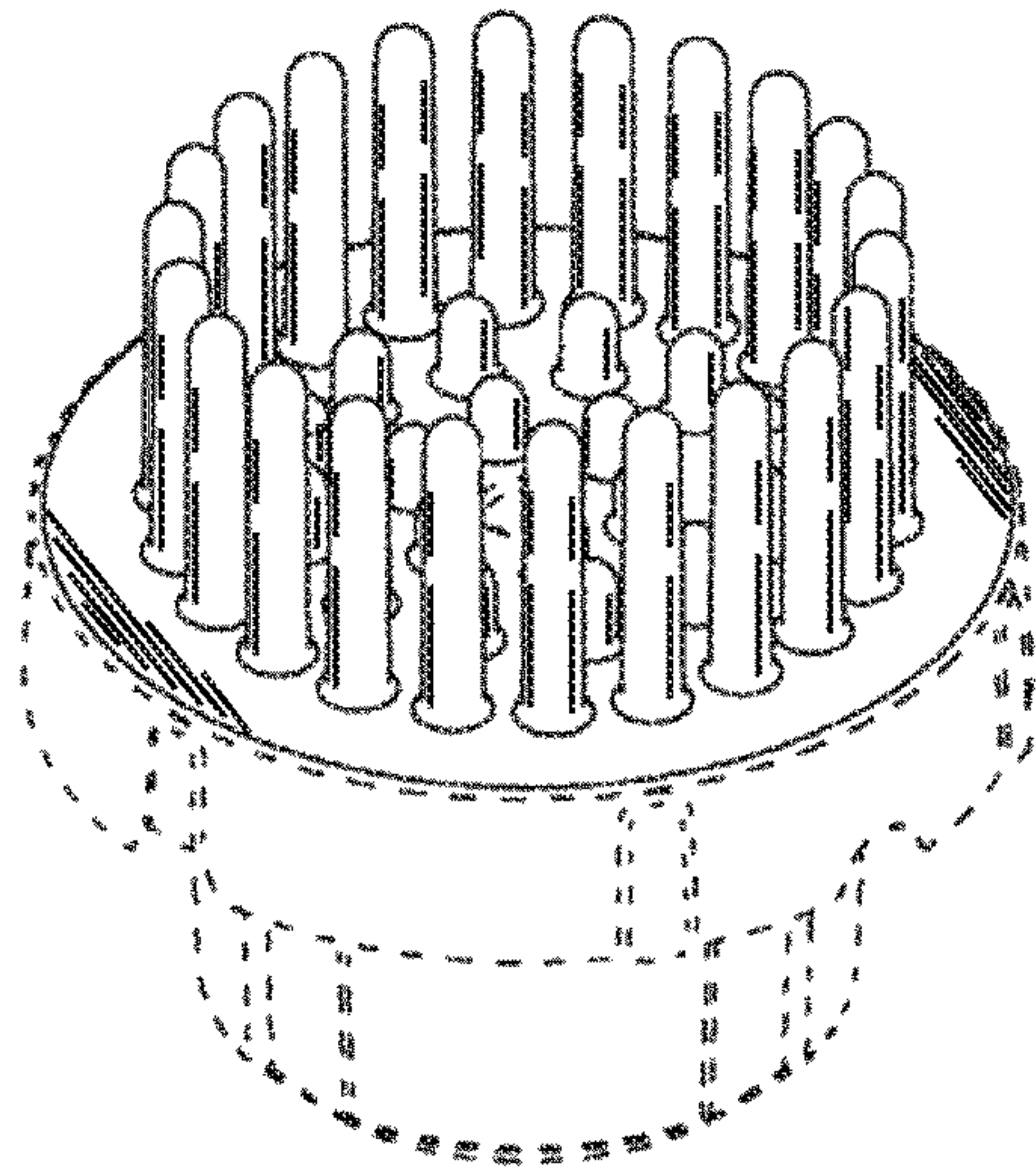


FIG. 1

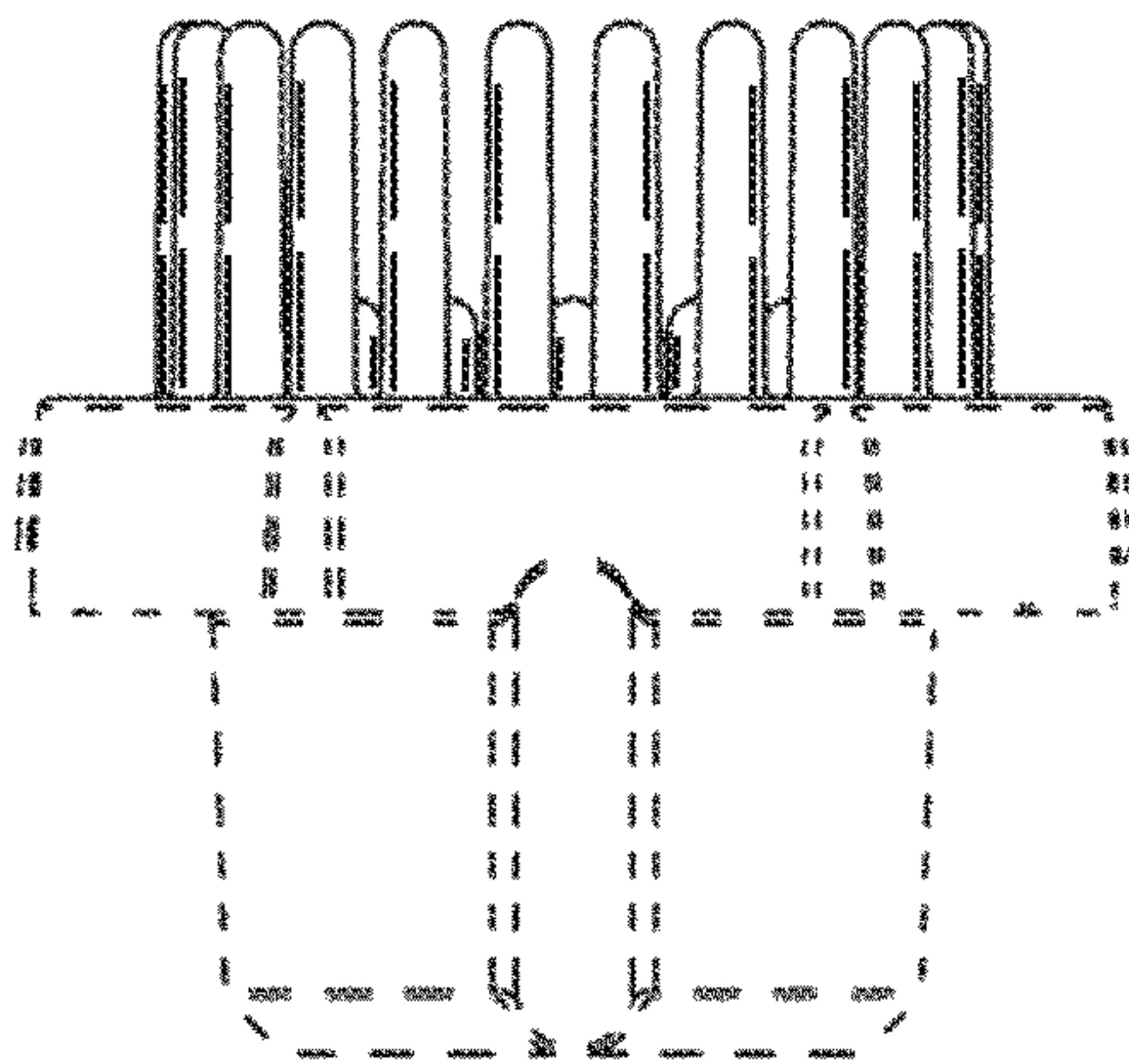


FIG. 2

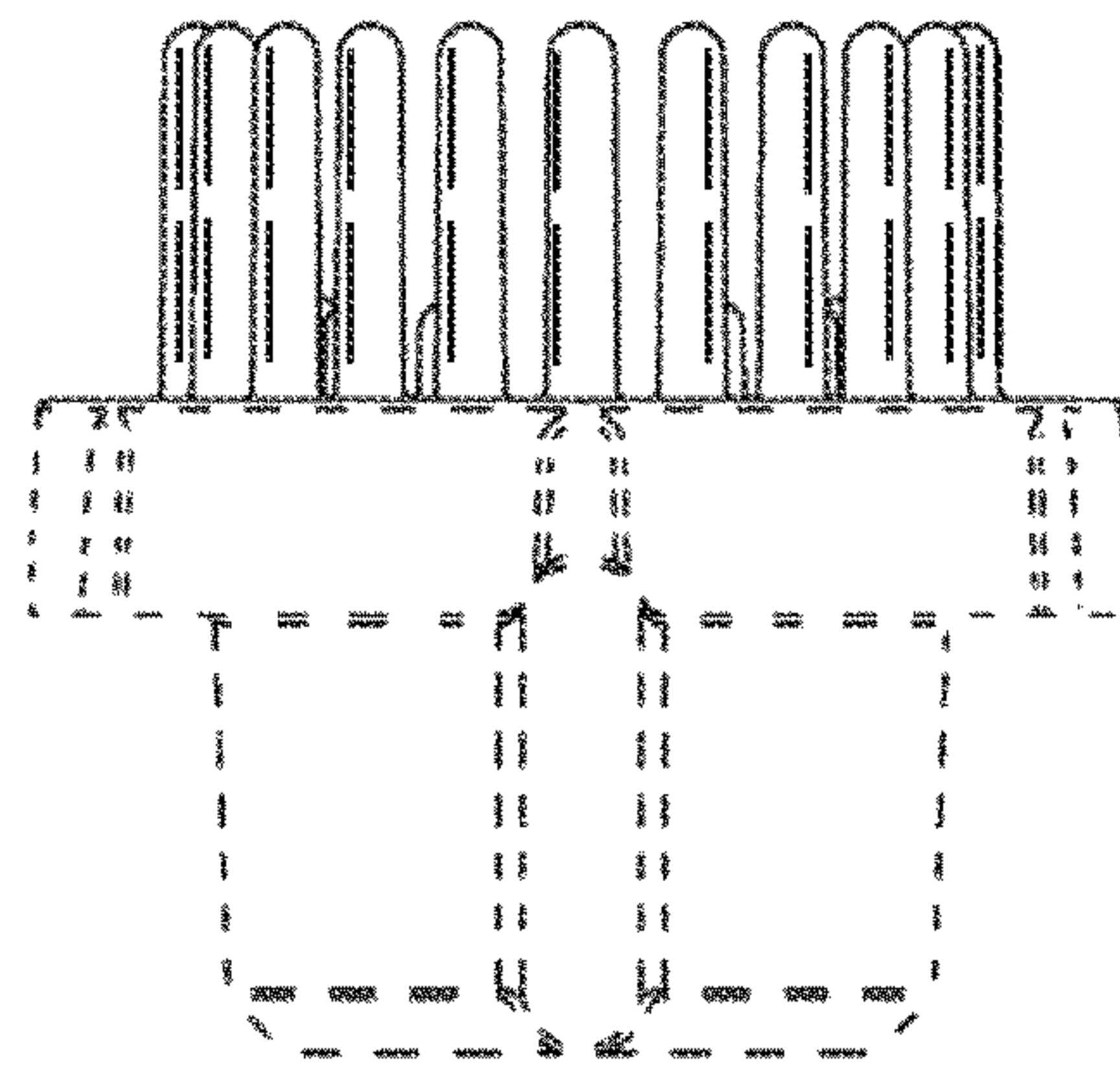


FIG. 3

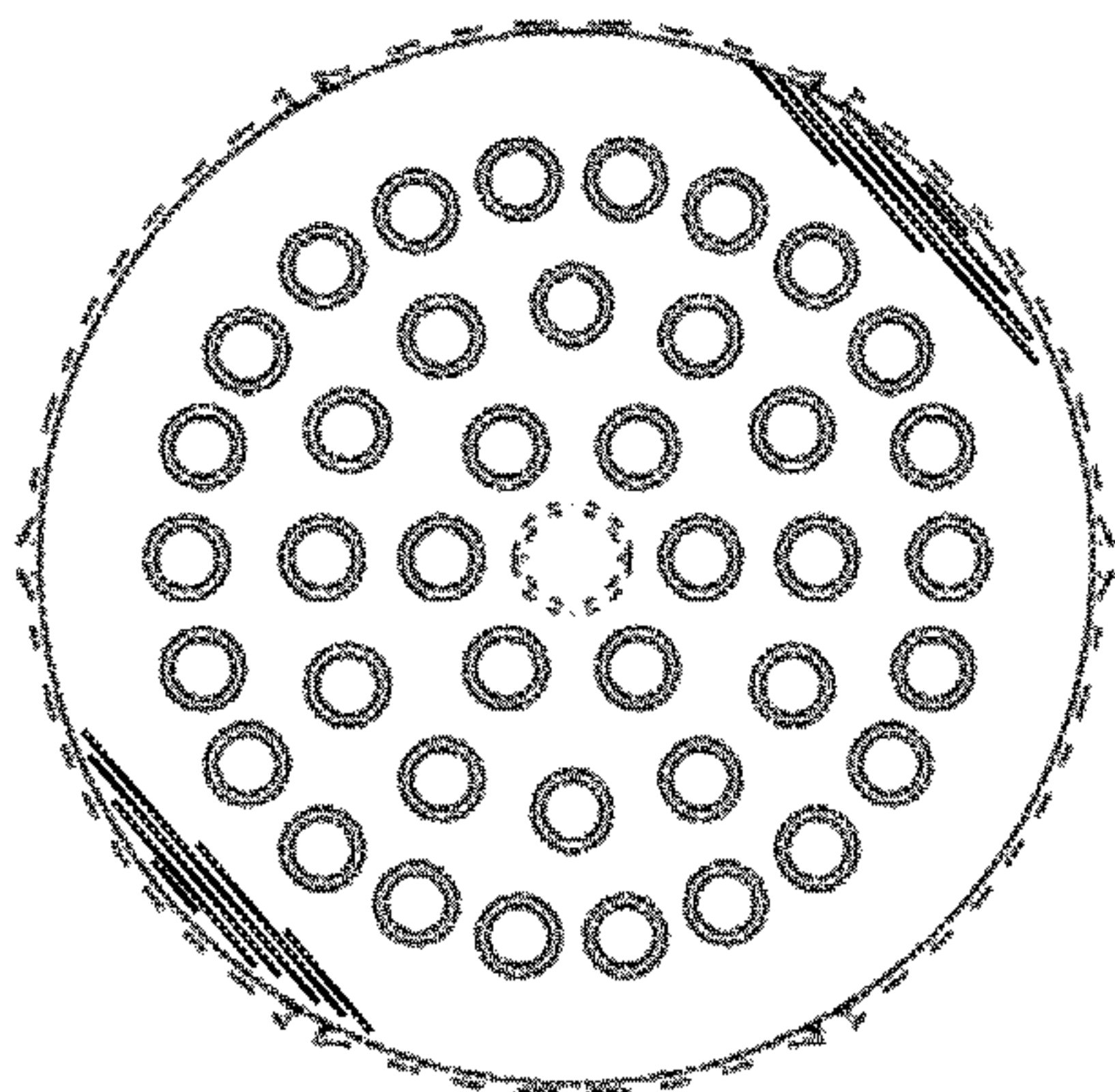


FIG. 4

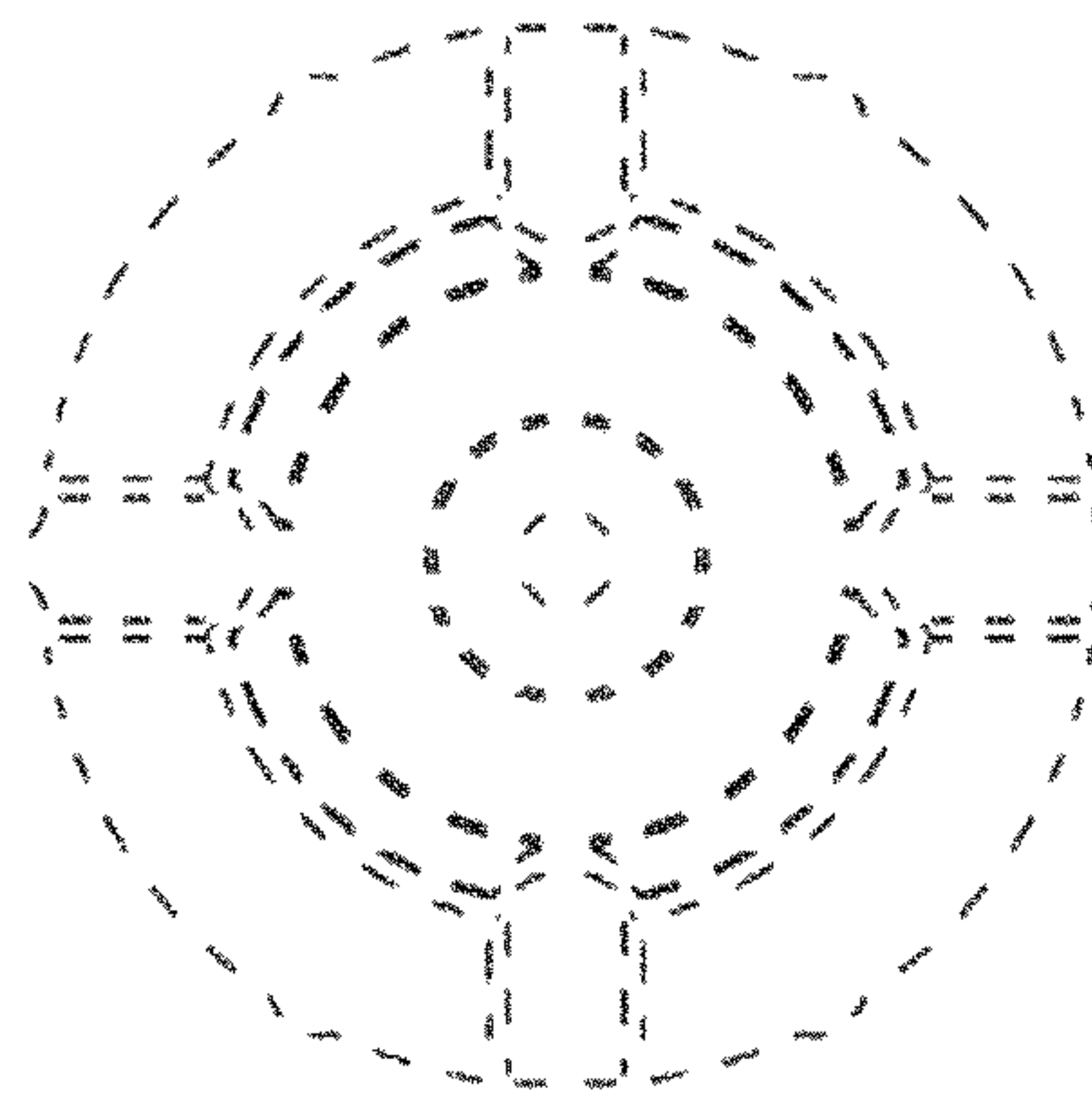


FIG. 5

