



US00D884264S

(12) **United States Design Patent** (10) **Patent No.:** **US D884,264 S**
Pan (45) **Date of Patent:** **** May 12, 2020**

(54) **LIGHTER**
(71) Applicant: **LA. Lighter, Inc.**, La Puente, CA (US)
(72) Inventor: **Phillip Pan**, La Puente, CA (US)
(**) Term: **15 Years**
(21) Appl. No.: **29/658,013**
(22) Filed: **Jul. 26, 2018**
(51) **LOC (12) Cl.** **27-05**
(52) **U.S. Cl.**
USPC **D27/159**
(58) **Field of Classification Search**
USPC D27/159, 139, 141, 142, 148, 153, 157,
D27/158; D23/211.1; 431/273, 274, 350,
431/351
CPC F23Q 2/00; F23Q 2/02; F23Q 2/16; F23Q
2/161; F23Q 2/162; F23Q 2/164; F23Q
2/167; F23Q 7/00; F23Q 7/14; F23Q
7/16; F23Q 7/24; F23Q 7/10
See application file for complete search history.

(56) **References Cited**
U.S. PATENT DOCUMENTS
D376,302 S * 12/1996 Tsai D8/29.1
5,667,377 A * 9/1997 Lin F23D 14/28
126/406
D444,912 S * 7/2001 Xie D27/157
D465,978 S * 11/2002 Miyanaga D8/30
D468,482 S * 1/2003 Lin D27/157
D477,747 S * 7/2003 Hsu D7/416
D538,969 S * 3/2007 Carlton D27/148

D551,387 S * 9/2007 Smith D27/157
D587,975 S * 3/2009 Aronson, II D15/144
D667,993 S * 9/2012 Lin D27/139
D667,994 S * 9/2012 Lin D27/139
D820,331 S * 6/2018 Walters D15/144
D844,405 S * 4/2019 Shen D8/29.1
D867,655 S * 11/2019 Chen D27/157
D875,300 S * 2/2020 Chen D27/159
2010/0261129 A1 * 10/2010 Lin F23D 14/28
431/344
2019/0093889 A1 * 3/2019 Ho F23D 14/72
2019/0093890 A1 * 3/2019 Shen F23D 14/38

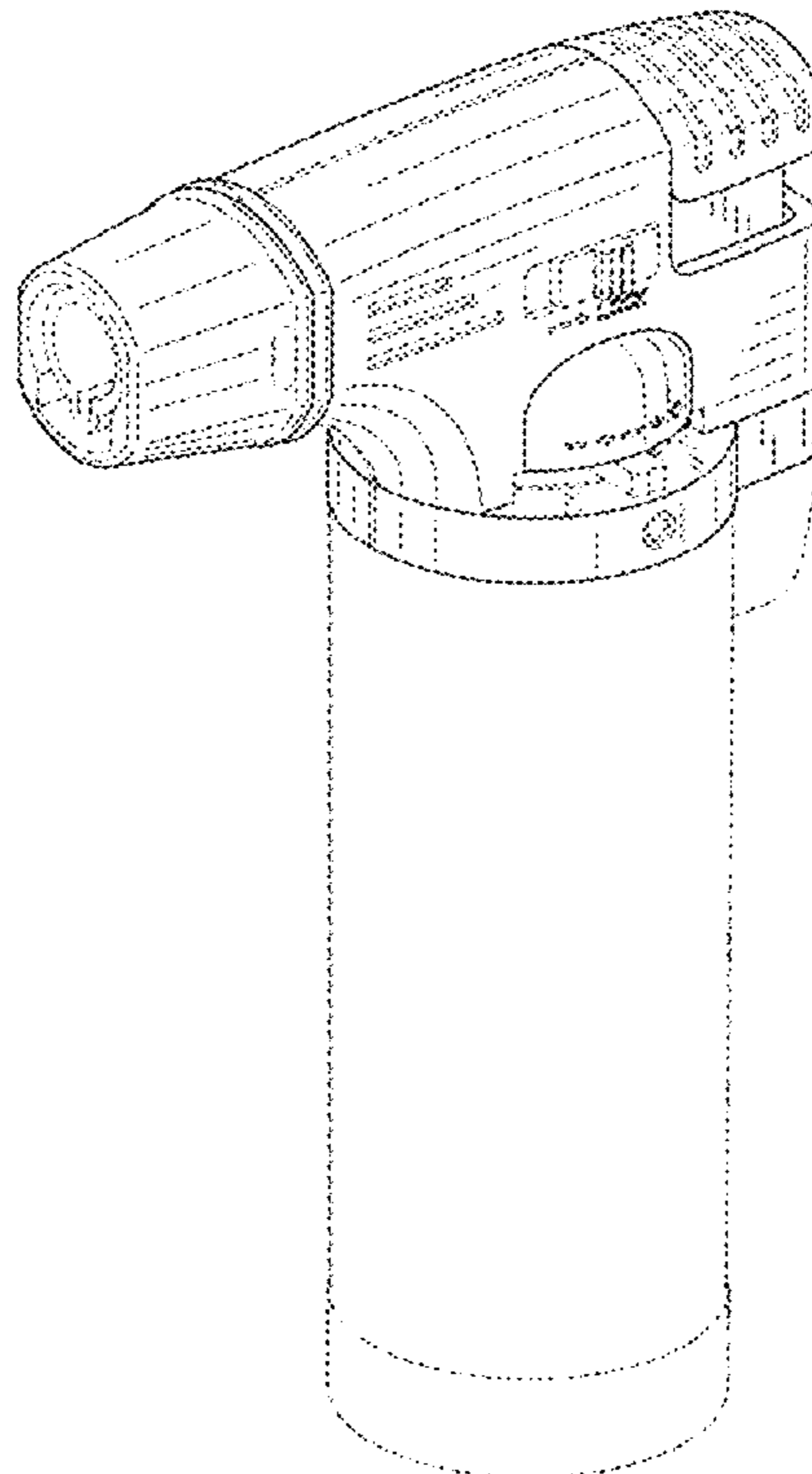
* cited by examiner

Primary Examiner — Marissa J Cash
Assistant Examiner — Rebecca Tsehaye
(74) *Attorney, Agent, or Firm* — Tommy S F Wang;
Wang IP Law Group, P.C.

(57) **CLAIM**
The ornamental design for a lighter, as shown and described.

DESCRIPTION
FIG. 1 is a perspective view of a lighter showing my new design;
FIG. 2 is another perspective view thereof;
FIG. 3 is a front view thereof;
FIG. 4 is a rear view thereof;
FIG. 5 is a left side view thereof;
FIG. 6 is a right side view thereof;
FIG. 7 is a top view thereof; and,
FIG. 8 is a bottom view thereof.
The broken lines in the drawings depict portions of the lighter and form no part of the claimed design.

1 Claim, 7 Drawing Sheets



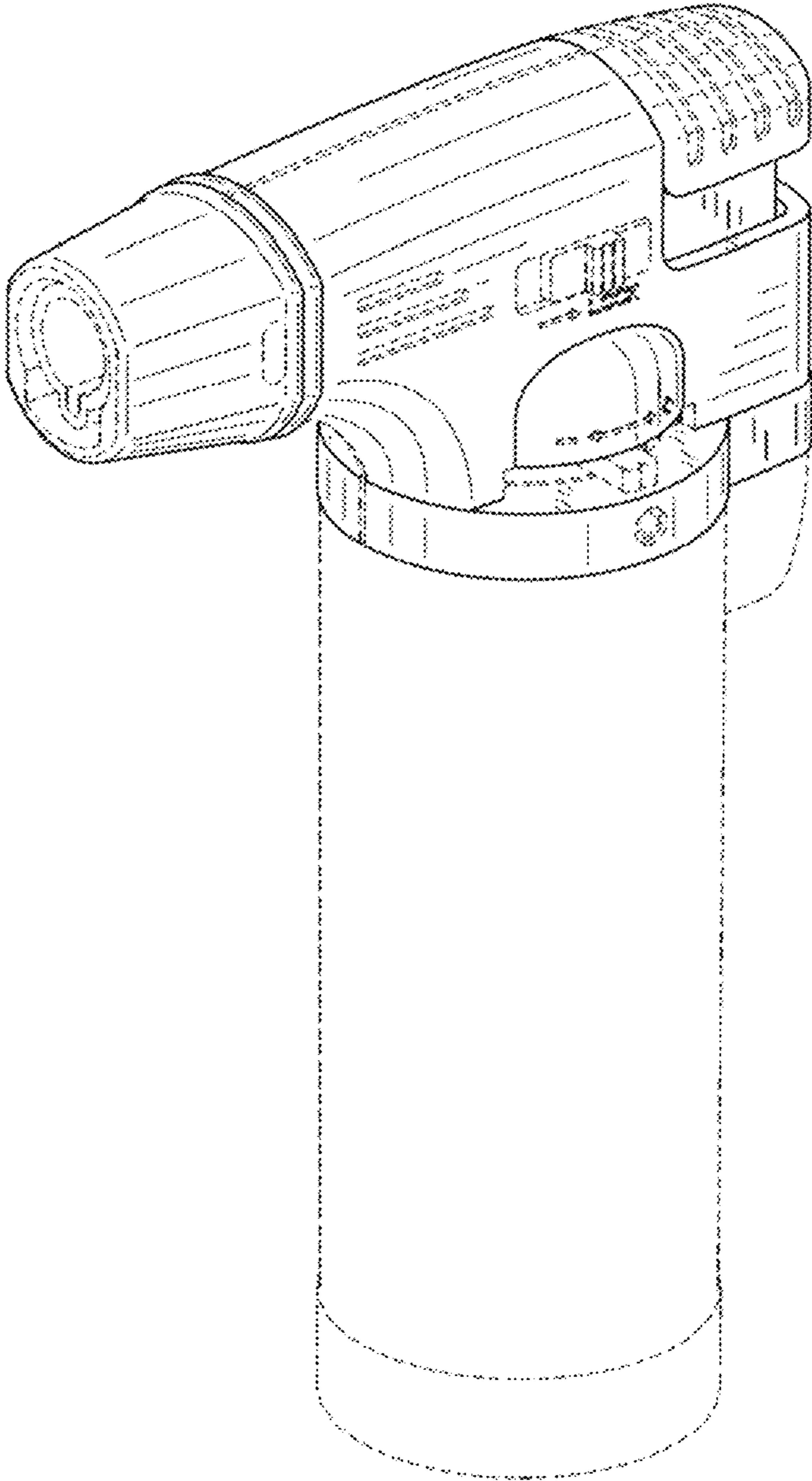


FIG. 1

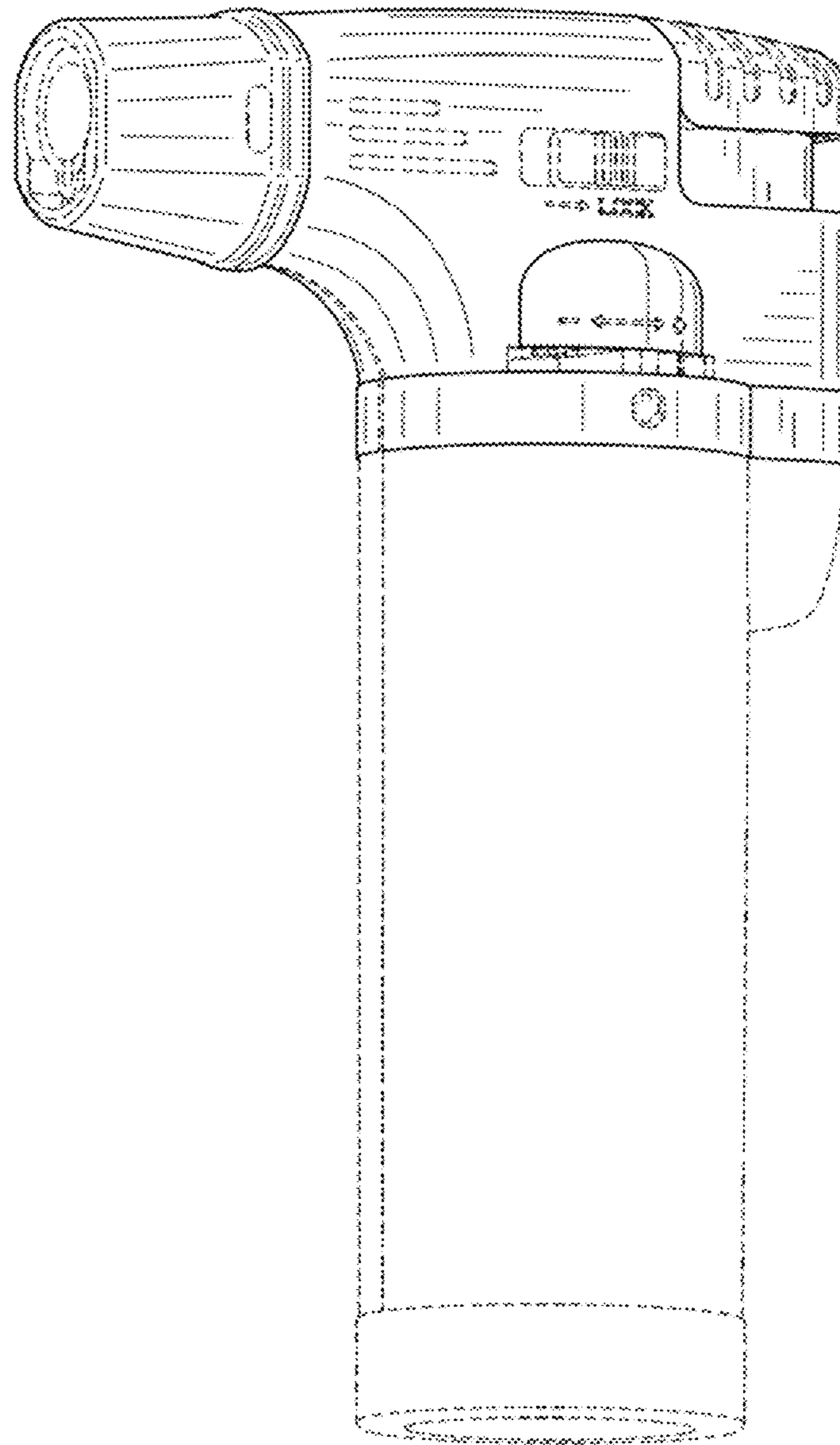


FIG. 2

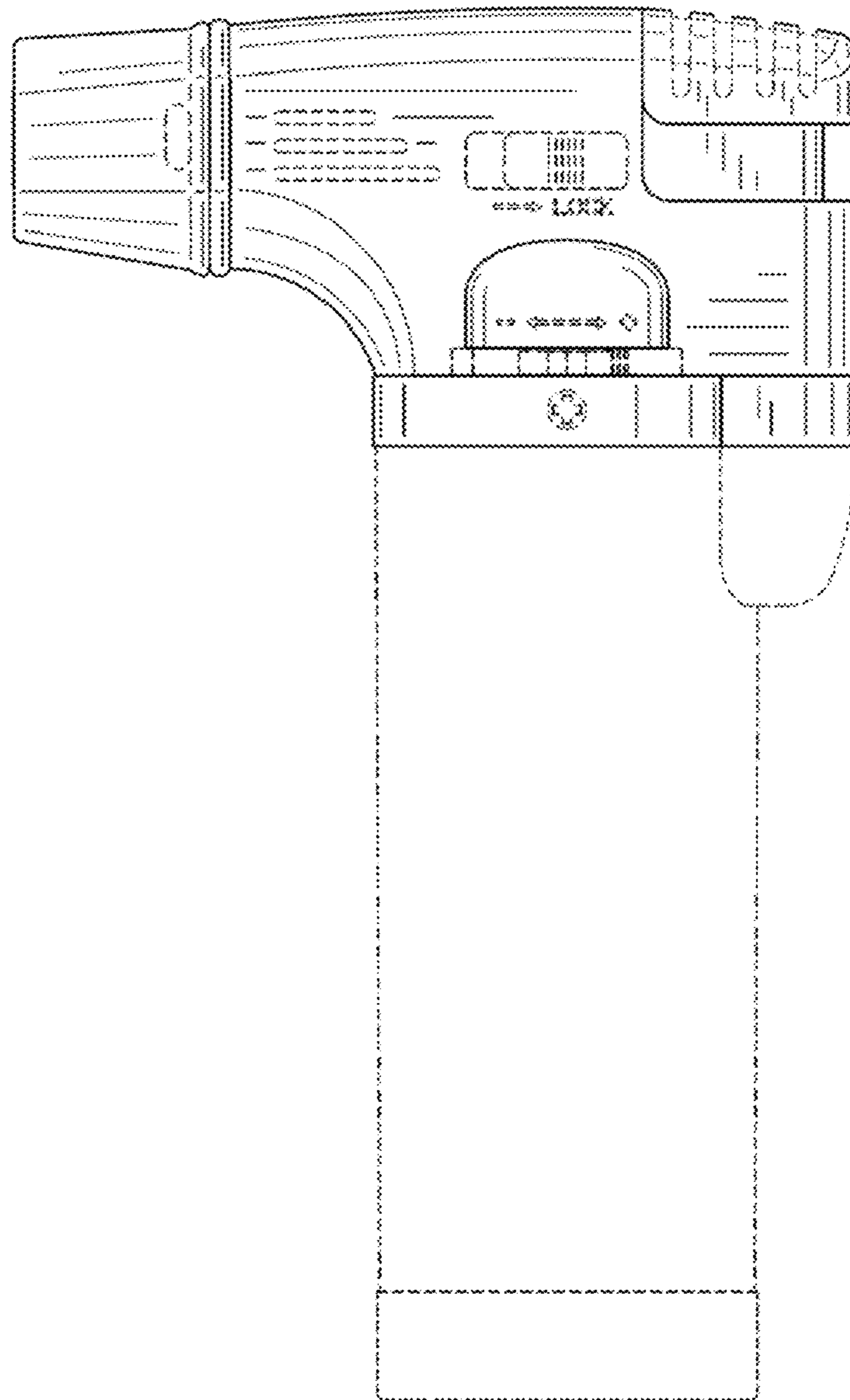


FIG. 3

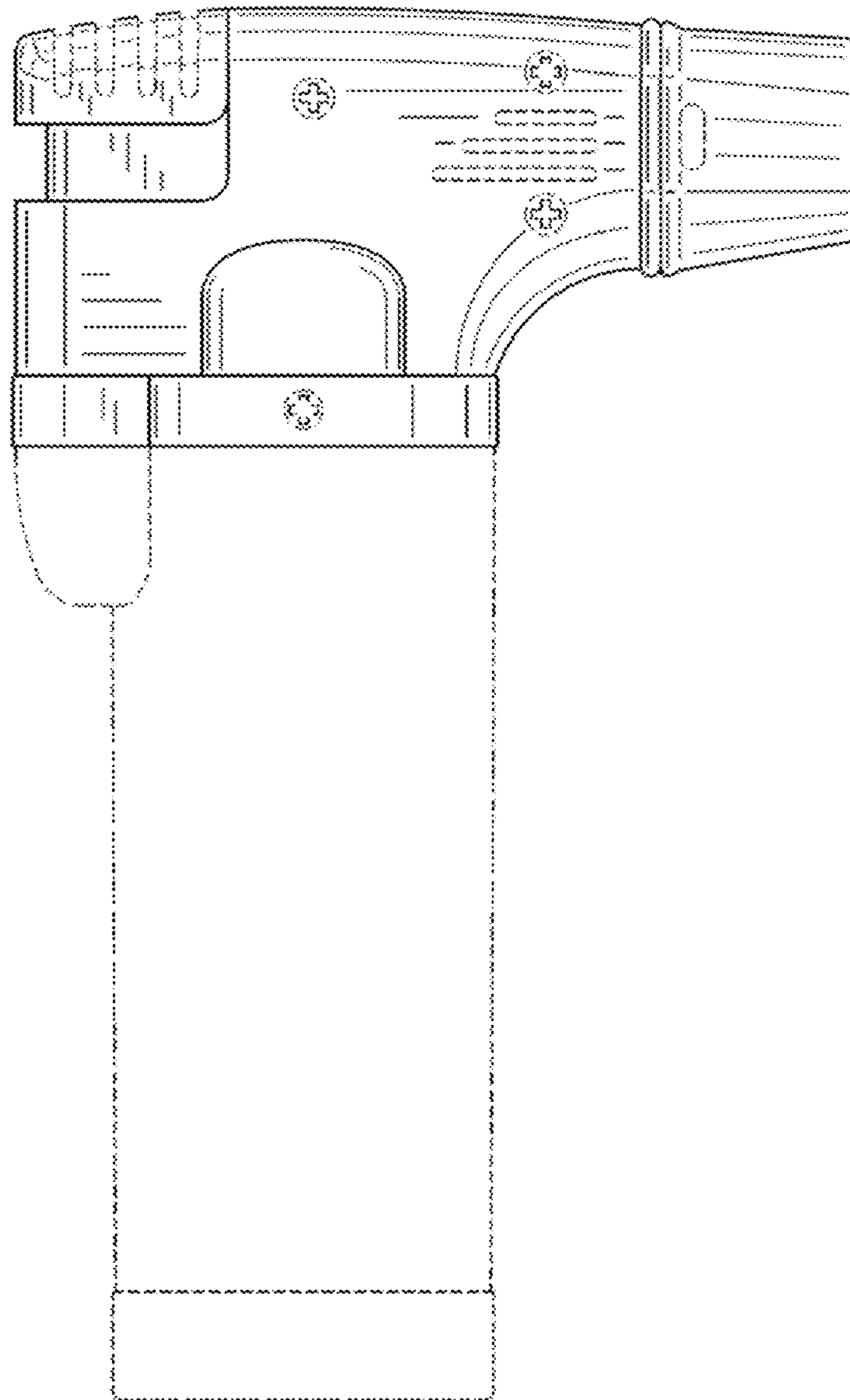


FIG. 4

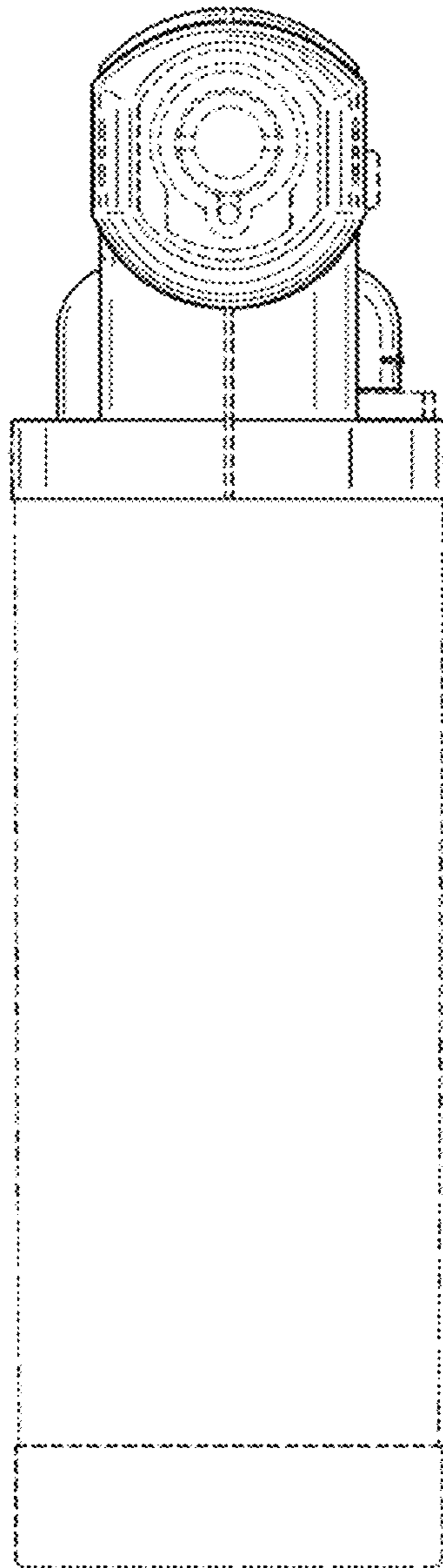


FIG. 5

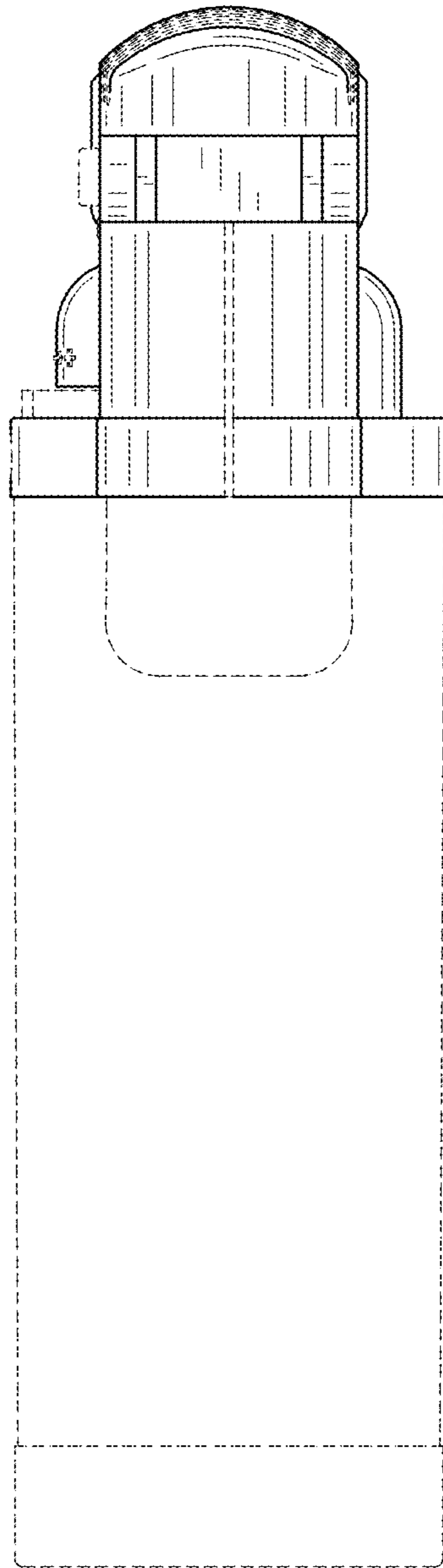


FIG. 6

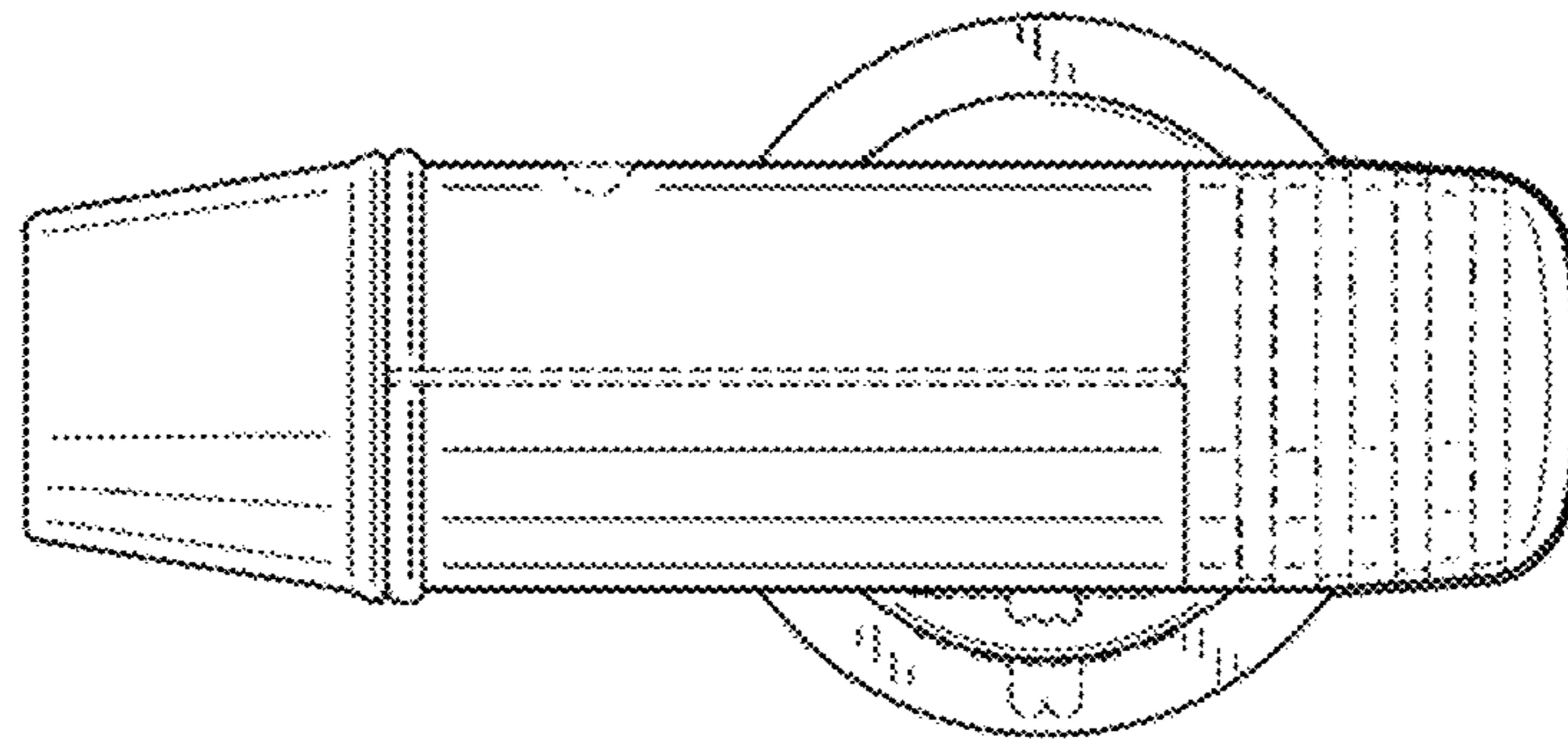


FIG. 7

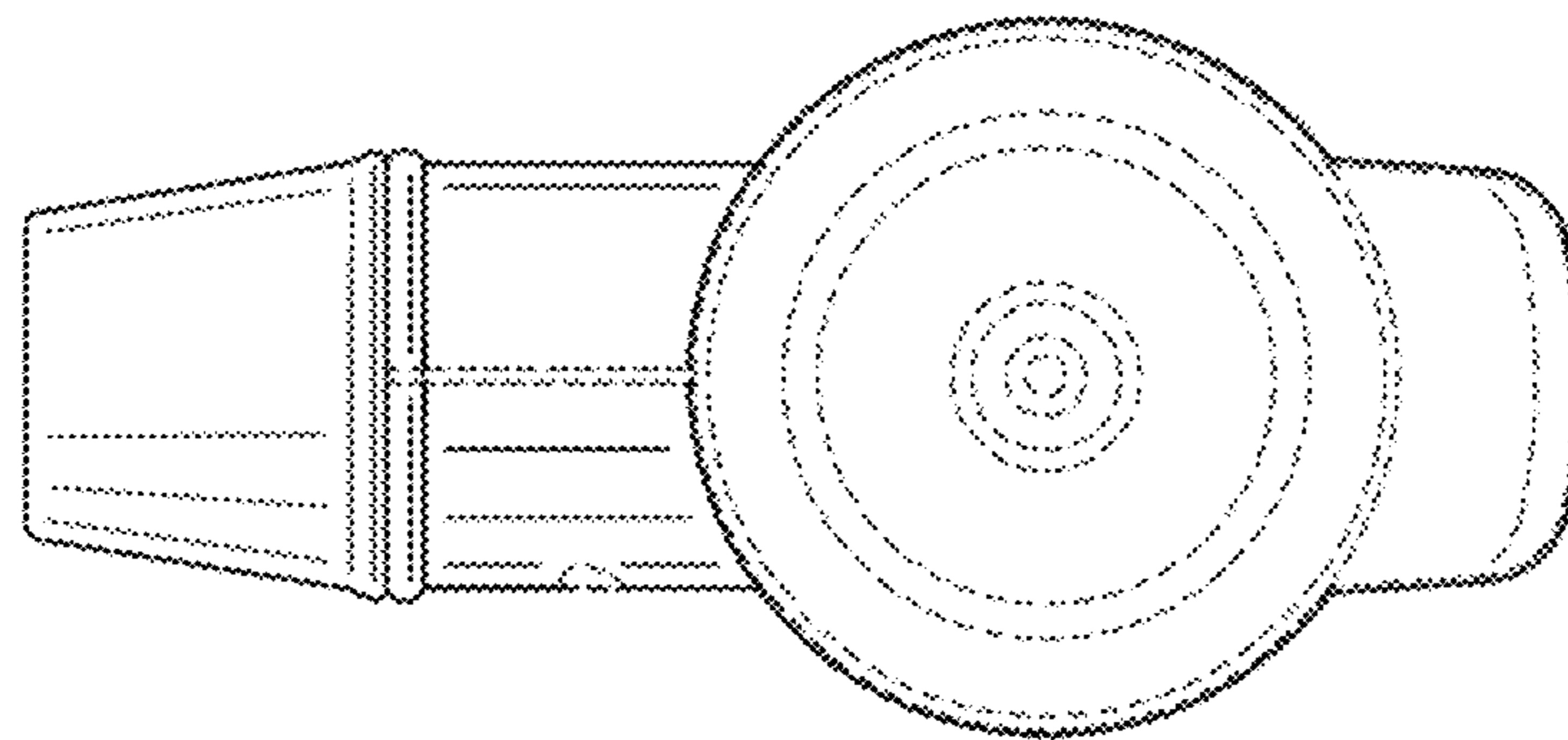


FIG. 8