



US00D884263S

(12) **United States Design Patent** (10) **Patent No.:** **US D884,263 S**  
**Chen** (45) **Date of Patent:** **\*\* May 12, 2020**

(54) **LIGHTER**  
(71) Applicant: **ENOR International Inc.**, La Puente, CA (US)  
(72) Inventor: **Peter Chen**, West Covina, CA (US)  
(73) Assignee: **ENOR INTERNATIONAL INC.**, La Puente, CA (US)

D664,709 S \* 7/2012 Almsberger ..... D27/157  
D711,591 S \* 8/2014 Wu ..... D27/157  
D717,488 S \* 11/2014 Martin ..... D27/141  
D754,913 S \* 4/2016 Almsberger ..... D27/152  
D760,428 S \* 6/2016 Rahbar ..... D27/141  
D807,575 S \* 1/2018 Luo ..... D27/141  
D825,098 S \* 8/2018 Fornarelli ..... D27/101  
D860,518 S \* 9/2019 Pan ..... D27/141  
2002/0088469 A1\* 7/2002 Rennecamp ..... A24F 1/00  
131/330

(\*\*) Term: **15 Years**  
(21) Appl. No.: **29/669,219**  
(22) Filed: **Nov. 6, 2018**

(51) **LOC (12) Cl.** ..... **27-05**  
(52) **U.S. Cl.**  
USPC ..... **D27/154**  
(58) **Field of Classification Search**  
USPC ..... D27/141, 139, 142, 153, 157; 131/329,  
131/330; 431/273, 274, 350, 351  
CPC ..... F23Q 2/00; F23Q 2/02; F23Q 2/16; F23Q  
2/28; F23Q 2/164; F23Q 2/167; F23Q  
2/285; F23Q 2/287; F23Q 7/00; F23Q  
7/1416; F23Q 7/24; F23Q 7/26  
See application file for complete search history.

(56) **References Cited**  
U.S. PATENT DOCUMENTS

5,462,432 A \* 10/1995 Kim ..... F23Q 2/164  
431/153  
6,287,109 B1 \* 9/2001 Hirota ..... F23Q 2/164  
431/153  
D528,246 S \* 9/2006 Smith ..... D27/157  
D536,480 S \* 2/2007 Park ..... D27/143  
D537,197 S \* 2/2007 Liu ..... D27/142  
D539,975 S \* 4/2007 Park ..... D27/143  
D572,405 S \* 7/2008 Yang ..... D27/154

**OTHER PUBLICATIONS**

<https://www.simplycigars.co.uk/porsche-design-flower-flame-cigar-lighter-silver-p-1226.html> (Oct. 19, 2019).\*

\* cited by examiner

*Primary Examiner* — Manpreet S Matharu  
*Assistant Examiner* — Rebecca Tsehaye  
(74) *Attorney, Agent, or Firm* — Innovation Capital Law Group, LLP; Vic Lin

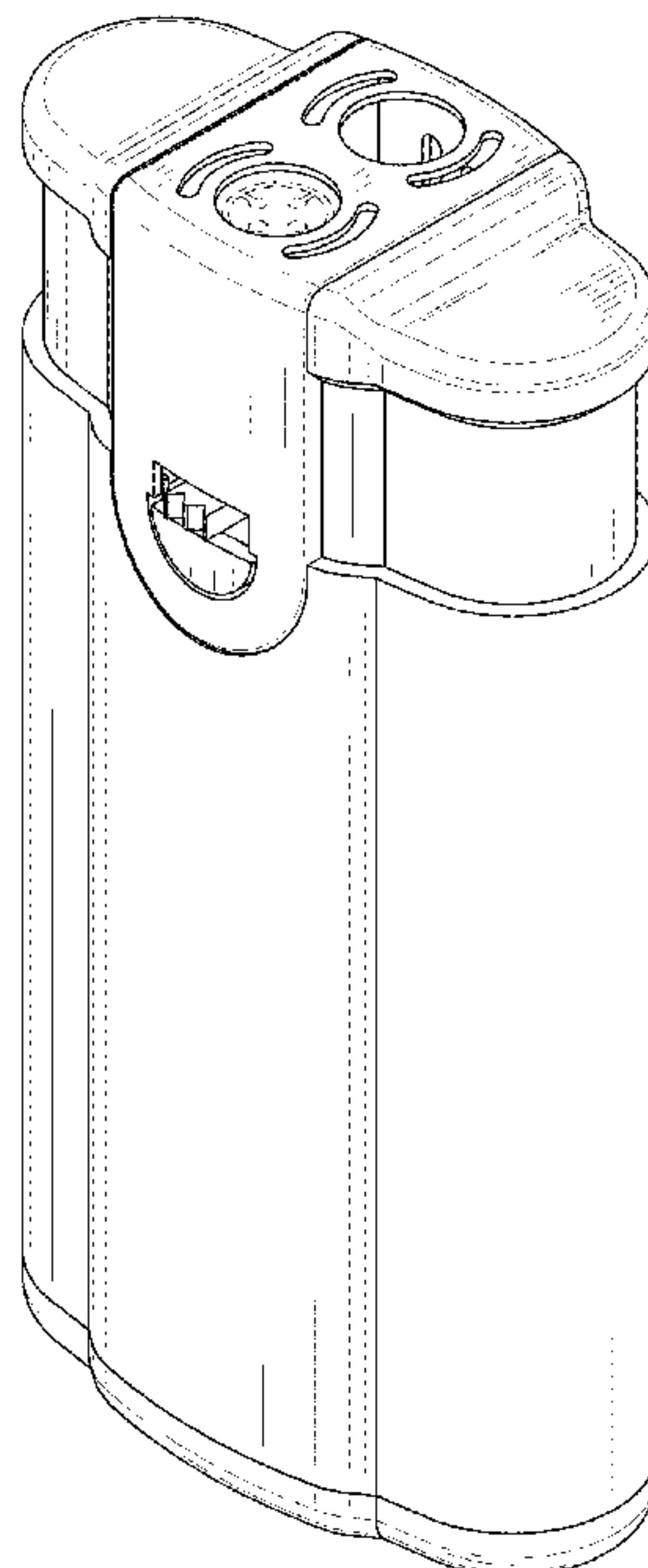
(57) **CLAIM**

The ornamental design for a lighter, as shown and described.

**DESCRIPTION**

FIG. 1 is a front elevation view of a lighter;  
FIG. 2 is a rear elevation view thereof;  
FIG. 3 is a right elevation view thereof;  
FIG. 4 is a left elevation view thereof;  
FIG. 5 is a top plan view thereof;  
FIG. 6 is a bottom plan view thereof;  
FIG. 7 is a top perspective view thereof; and,  
FIG. 8 is a bottom perspective view thereof.  
The broken lines in the figures show portions of the lighter which form no part of the claimed design.

**1 Claim, 8 Drawing Sheets**



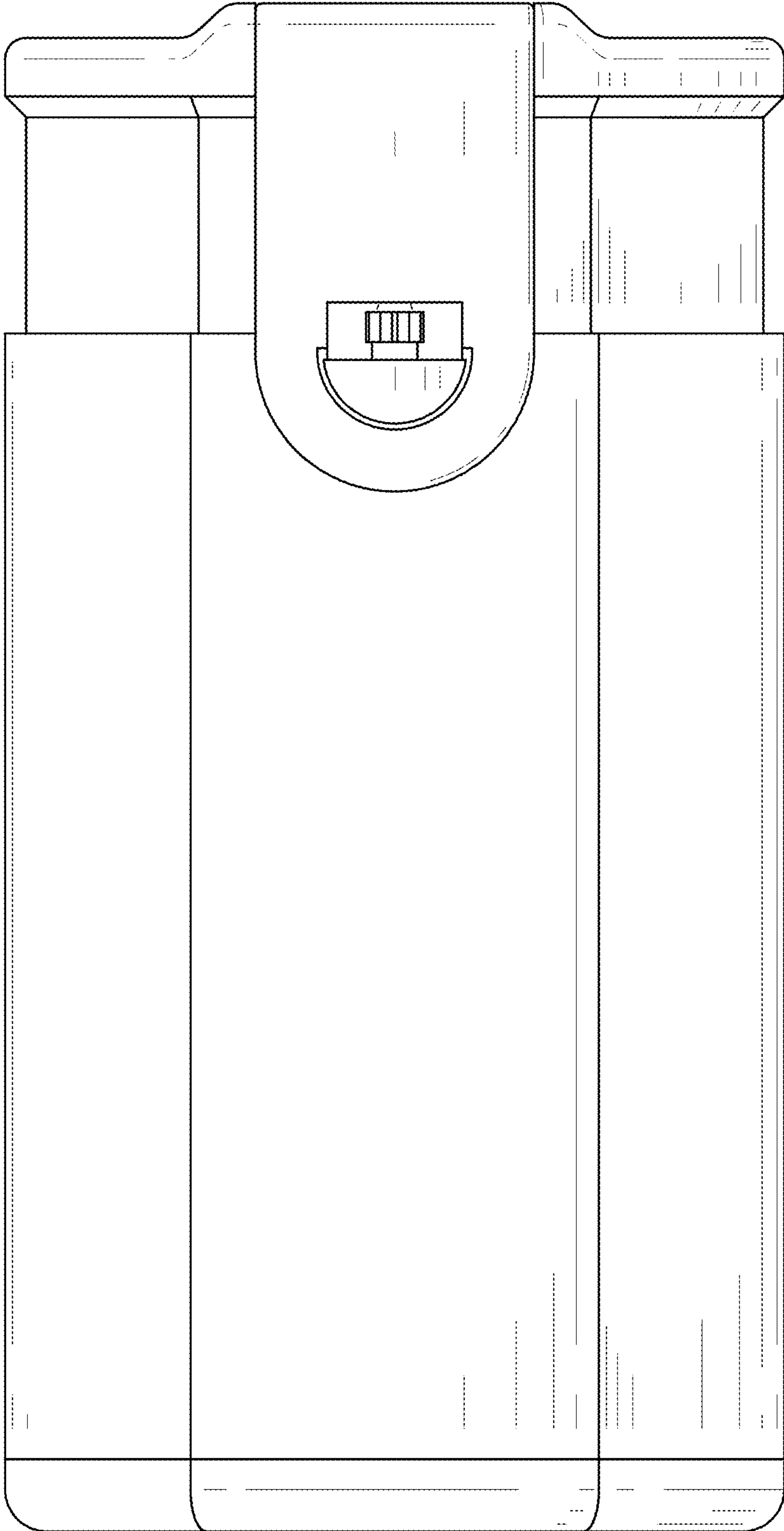


FIG. 1

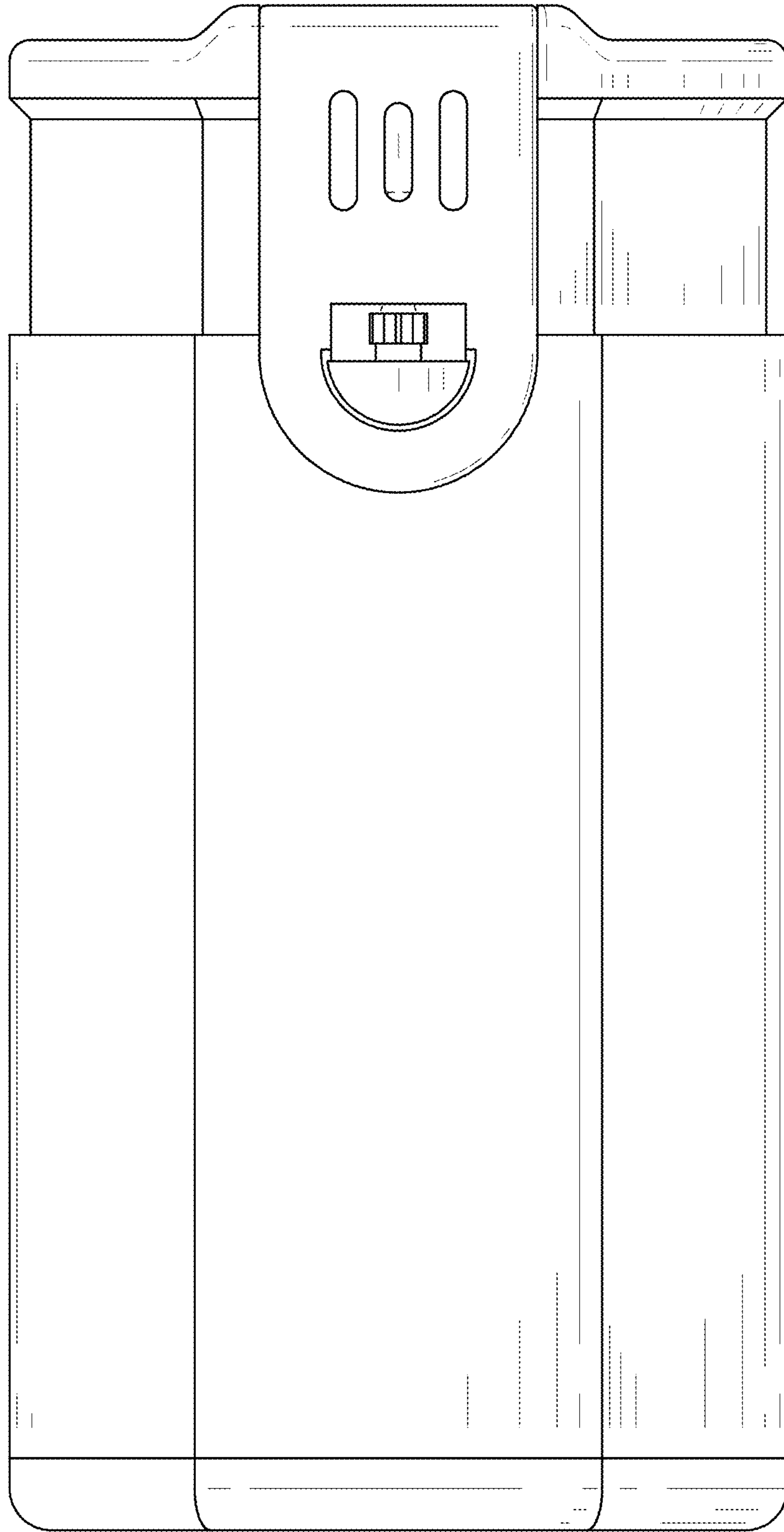


FIG. 2

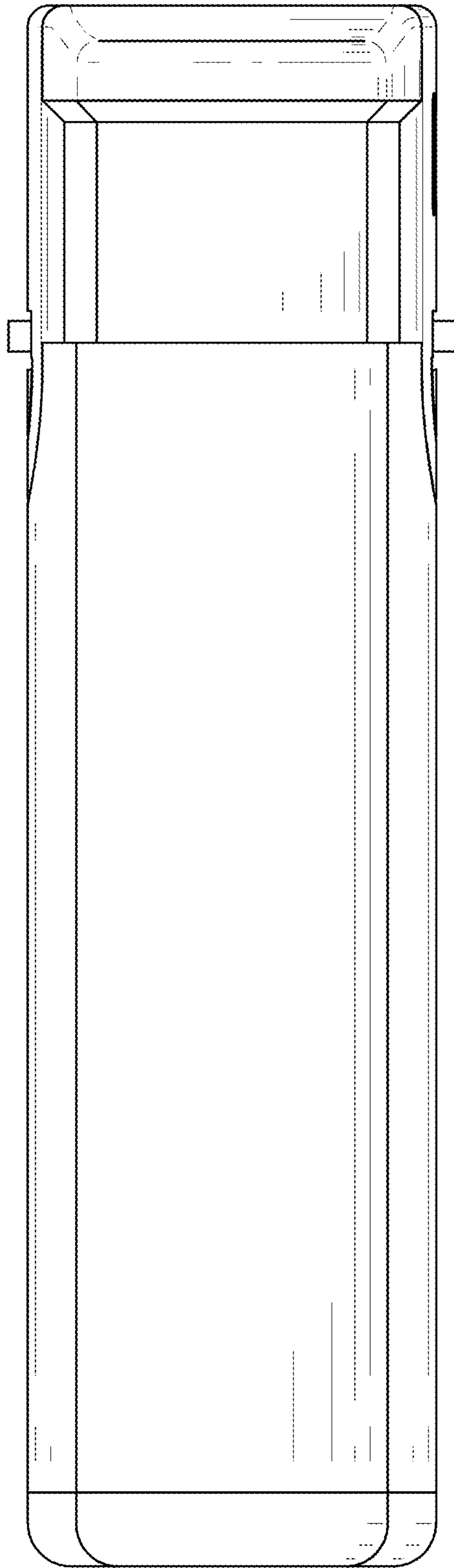


FIG. 3

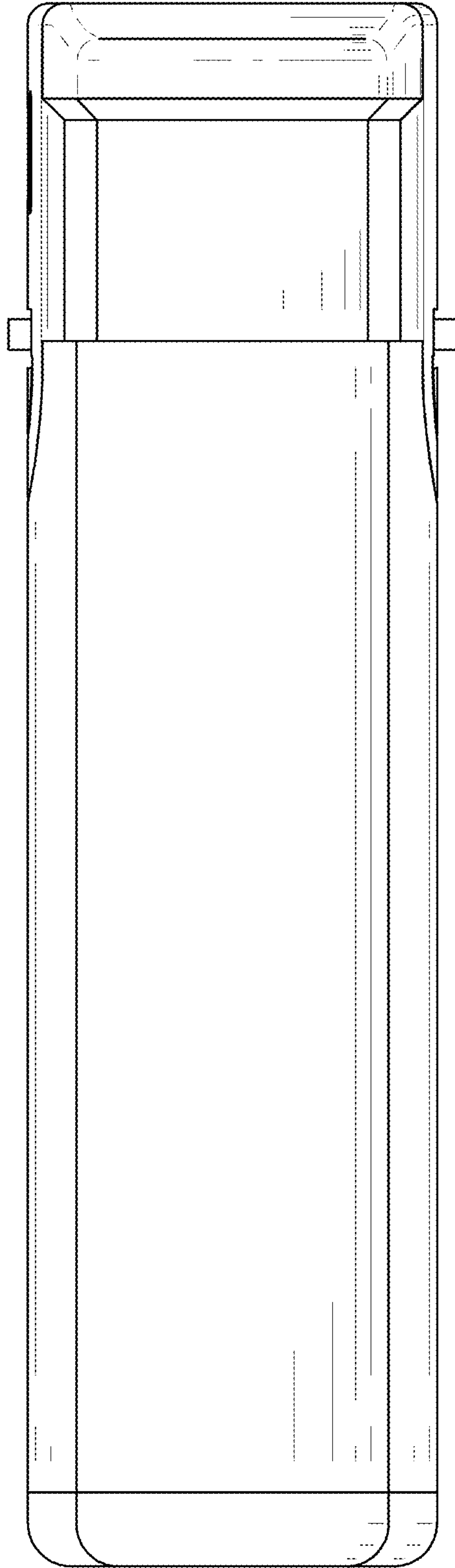


FIG. 4

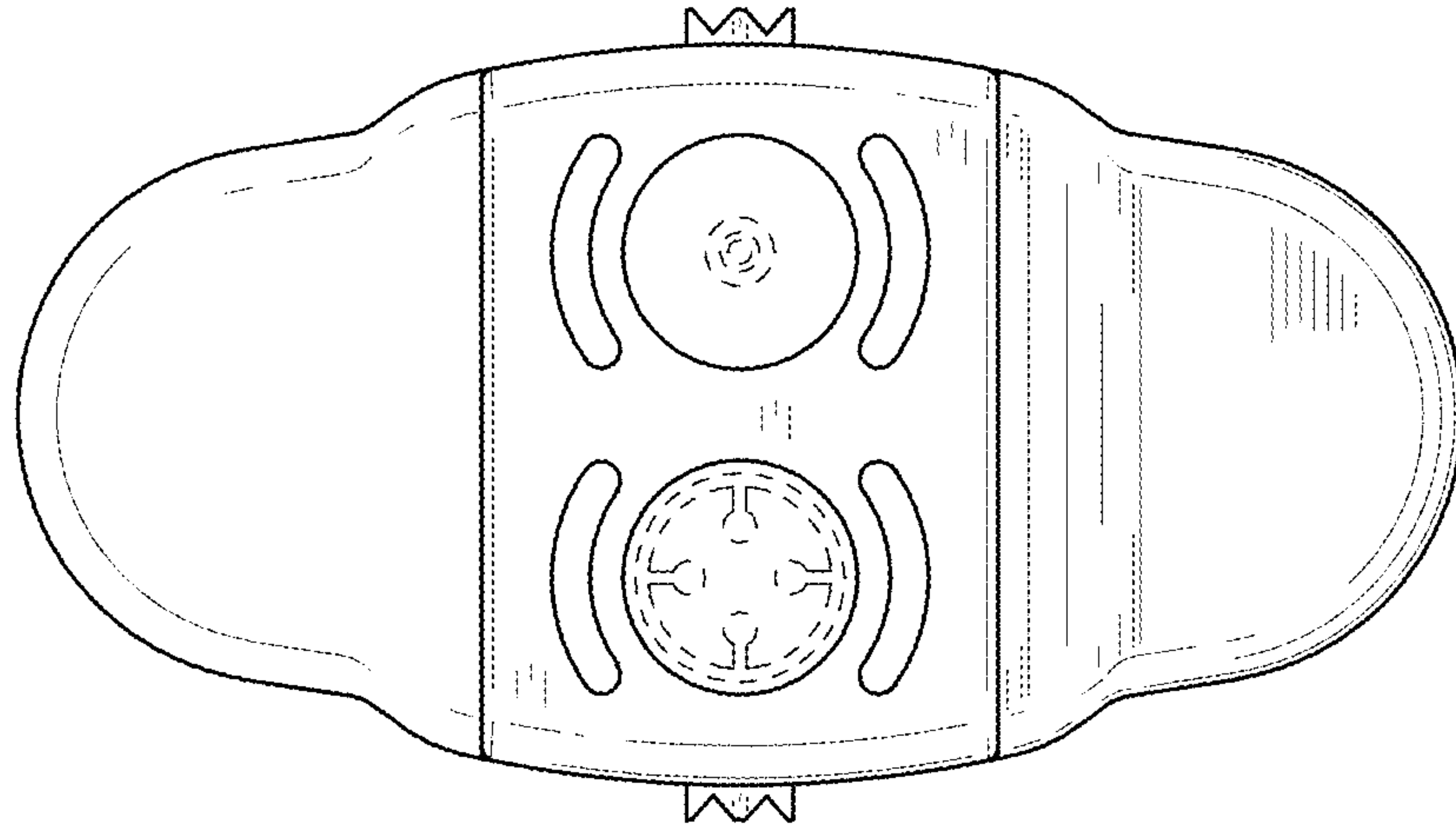


FIG. 5

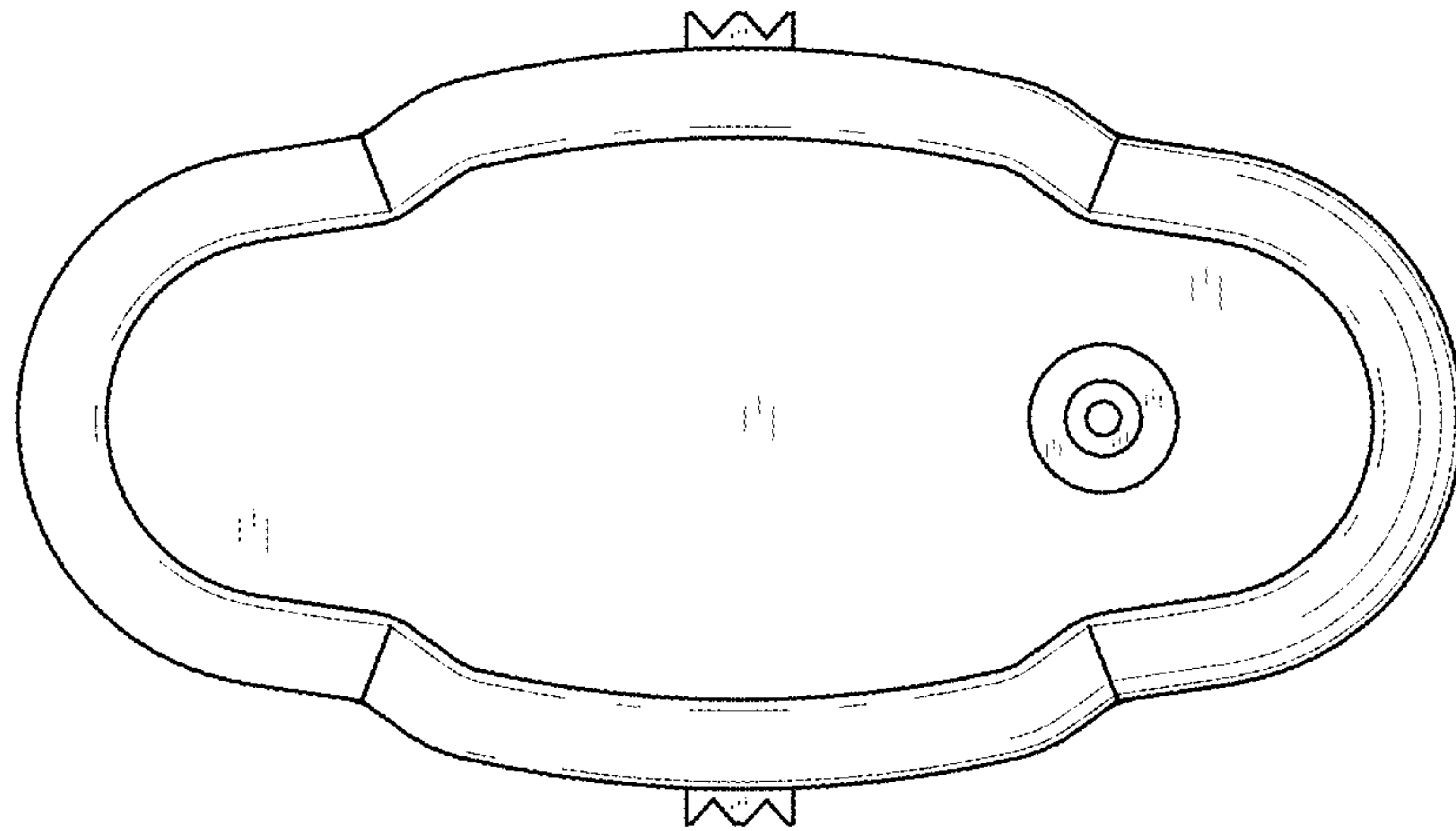


FIG. 6



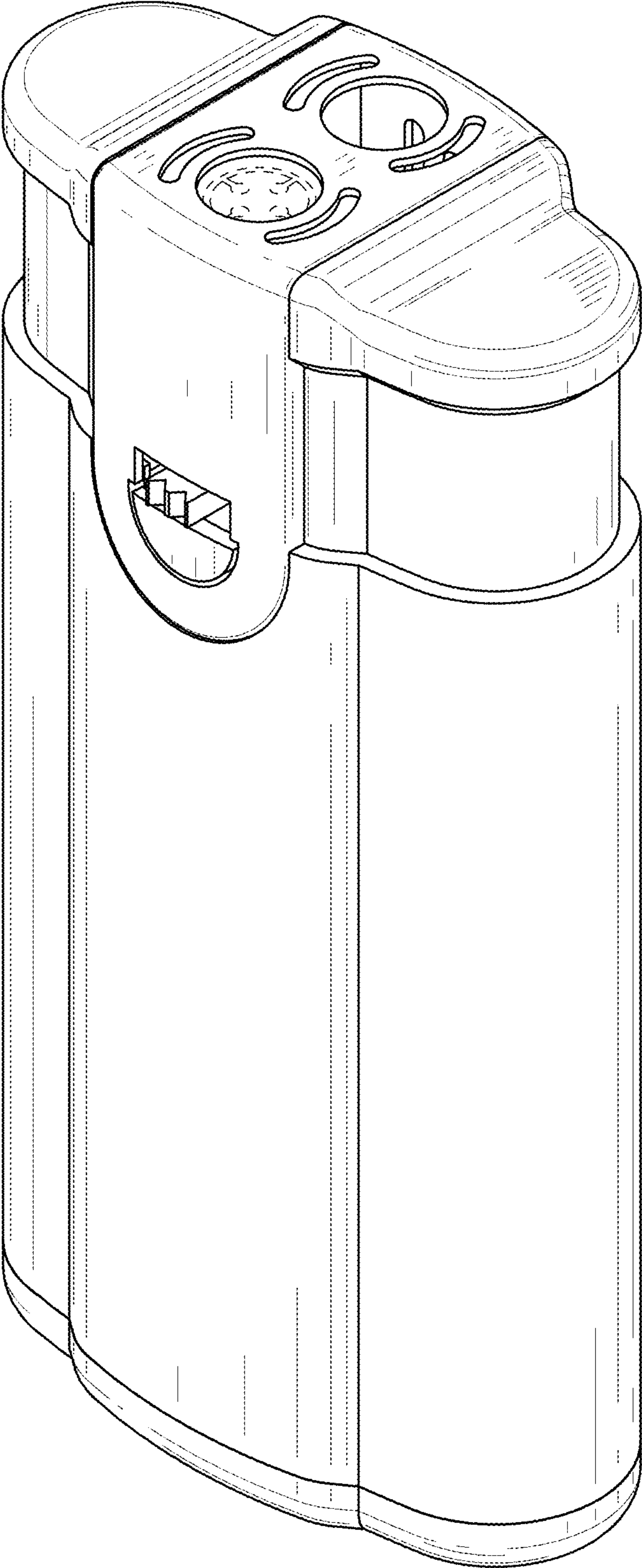


FIG. 7



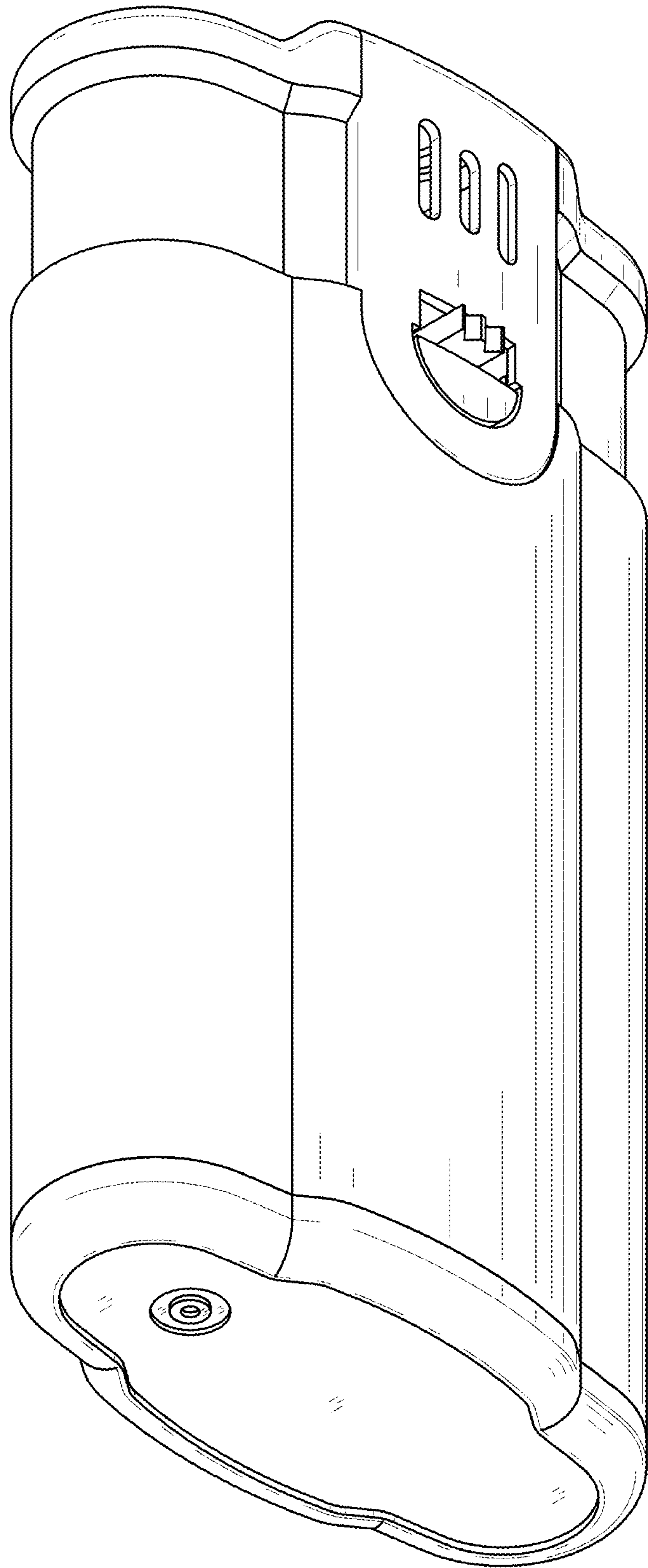


FIG. 8