



US00D884261S

(12) **United States Design Patent**
Long

(10) **Patent No.:** **US D884,261 S**

(45) **Date of Patent:** **** May 12, 2020**

(54) **FLASHLIGHT HOLDER**

(71) Applicant: **Xiao Long**, Nanjing (CN)

(72) Inventor: **Xiao Long**, Nanjing (CN)

(**) Term: **15 Years**

(21) Appl. No.: **29/680,618**

(22) Filed: **Feb. 18, 2019**

(51) **LOC (12) Cl.** **26-05**

(52) **U.S. Cl.**
USPC **D26/138**

(58) **Field of Classification Search**
USPC D26/72, 74, 76, 78-83, 85, 86, 88, 90,
D26/93, 111, 113, 118, 119, 120, 121,
D26/122, 138, 139, 140, 141, 142, 152
CPC F21S 2/00; F21S 4/00; F21S 4/003; F21S
4/005; F21S 4/006; F21S 4/007; F21S
4/008; F21S 6/00; F21S 8/00; F21S
8/024; F21S 8/026; F21S 8/031; F21S
8/033; F21S 8/035-037; F21S 8/04; F21S
8/043; F21S 8/063
See application file for complete search history.

(56) **References Cited**

U.S. PATENT DOCUMENTS

D324,109 S * 2/1992 Caridi D26/140
D326,927 S * 6/1992 Catalina D26/138
D328,820 S * 8/1992 Davie D26/37

D333,012 S * 2/1993 Fleming D26/138
D334,993 S * 4/1993 Lee D26/38
D345,814 S * 4/1994 Wright, III D26/138
D370,740 S * 6/1996 Rance D26/138
D401,005 S * 11/1998 Ludbrook D26/138
D491,689 S * 6/2004 Krieger D26/138
D614,345 S * 4/2010 Bertken D26/138
D752,273 S * 3/2016 Pratt D10/104.1
D771,305 S * 11/2016 Woller D26/138
D774,690 S * 12/2016 Feustel D26/138
D783,890 S * 4/2017 Samson D26/138
D806,940 S * 1/2018 Christensen D26/142

* cited by examiner

Primary Examiner — Natasha Vujcic

(74) *Attorney, Agent, or Firm* — Jie Yang; ZANIP

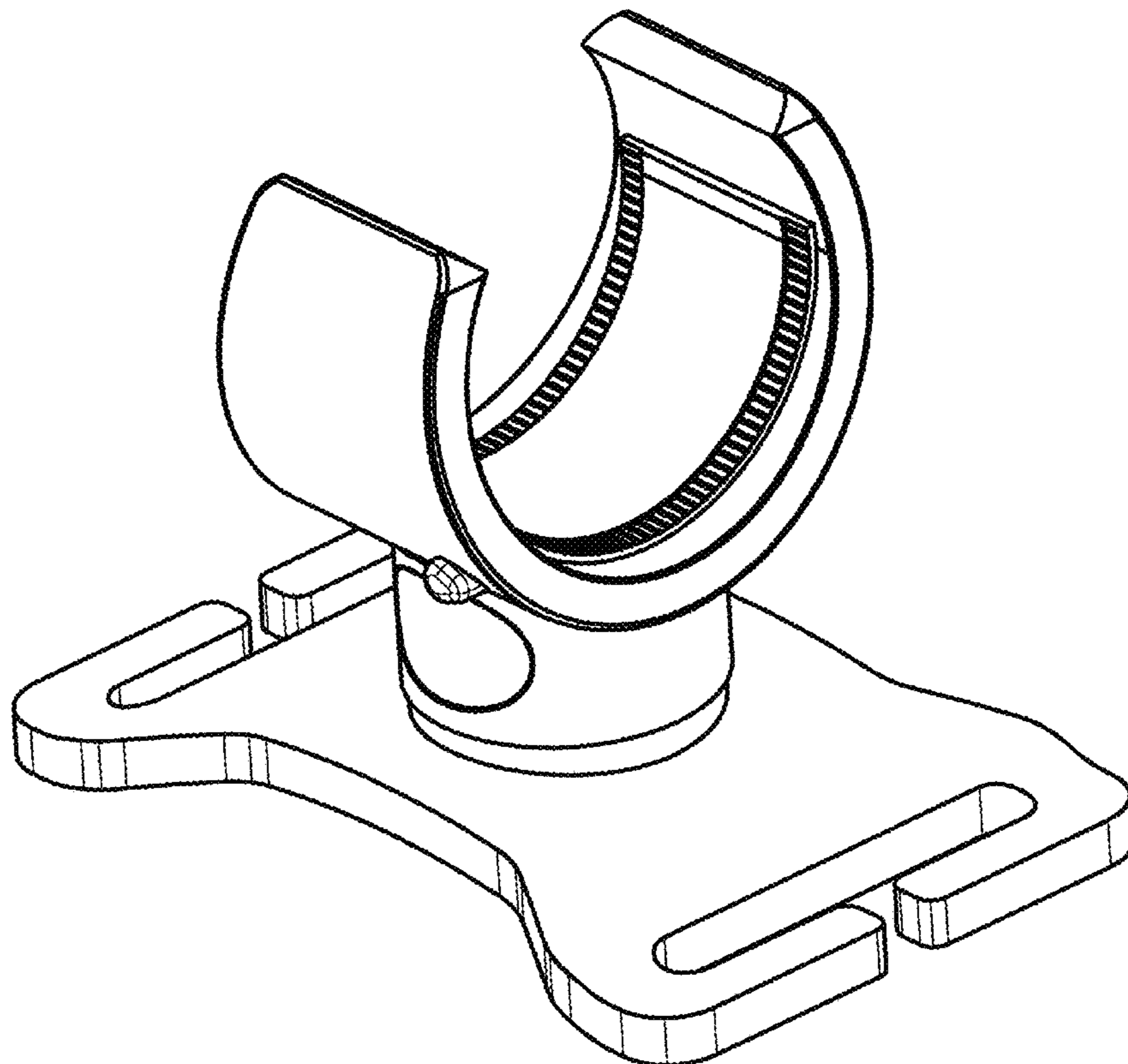
(57) **CLAIM**

I claim, the ornamental design for a flashlight holder, as shown and described.

DESCRIPTION

FIG. 1 is a perspective view of a flashlight holder showing my new design;
FIG. 2 is another perspective view thereof;
FIG. 3 is a back view thereof;
FIG. 4 is a front view thereof;
FIG. 5 is a first side view thereof;
FIG. 6 is a second side view thereof;
FIG. 7 is a top plan view thereof;
FIG. 8 is a bottom plan view thereof; and,
FIG. 9 is a bottom perspective view thereof.

1 Claim, 9 Drawing Sheets



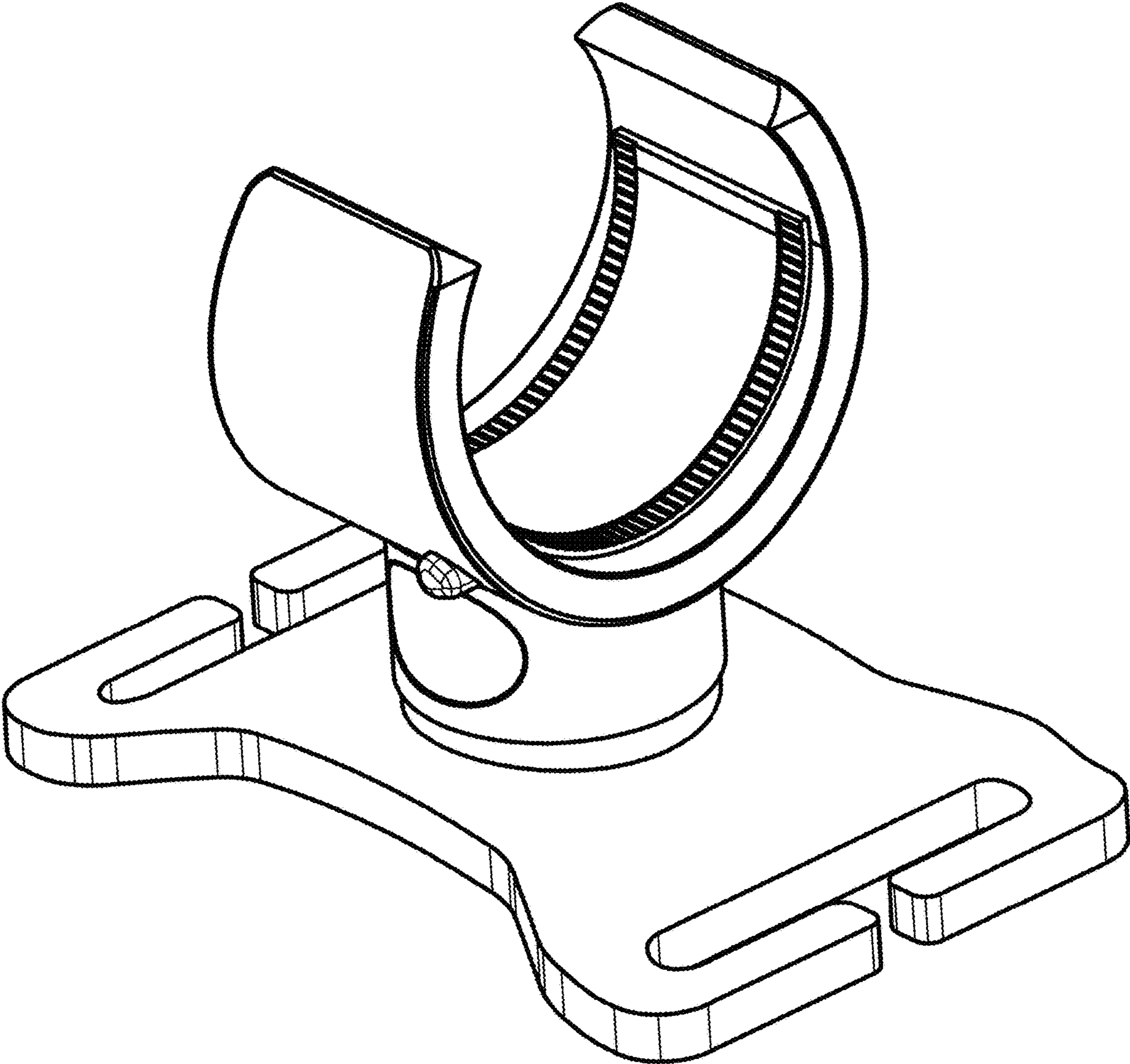


FIG. 1

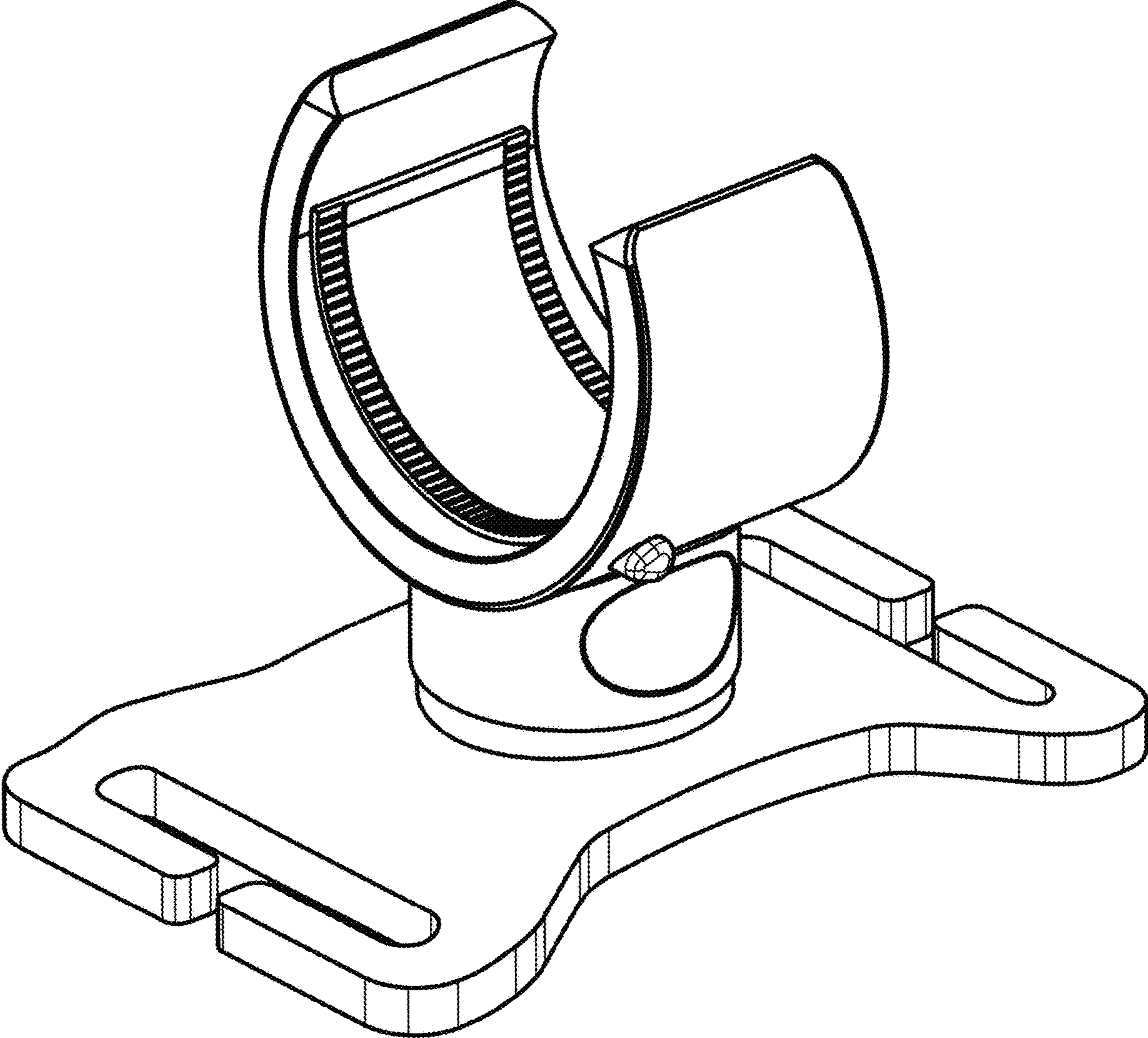


FIG. 2

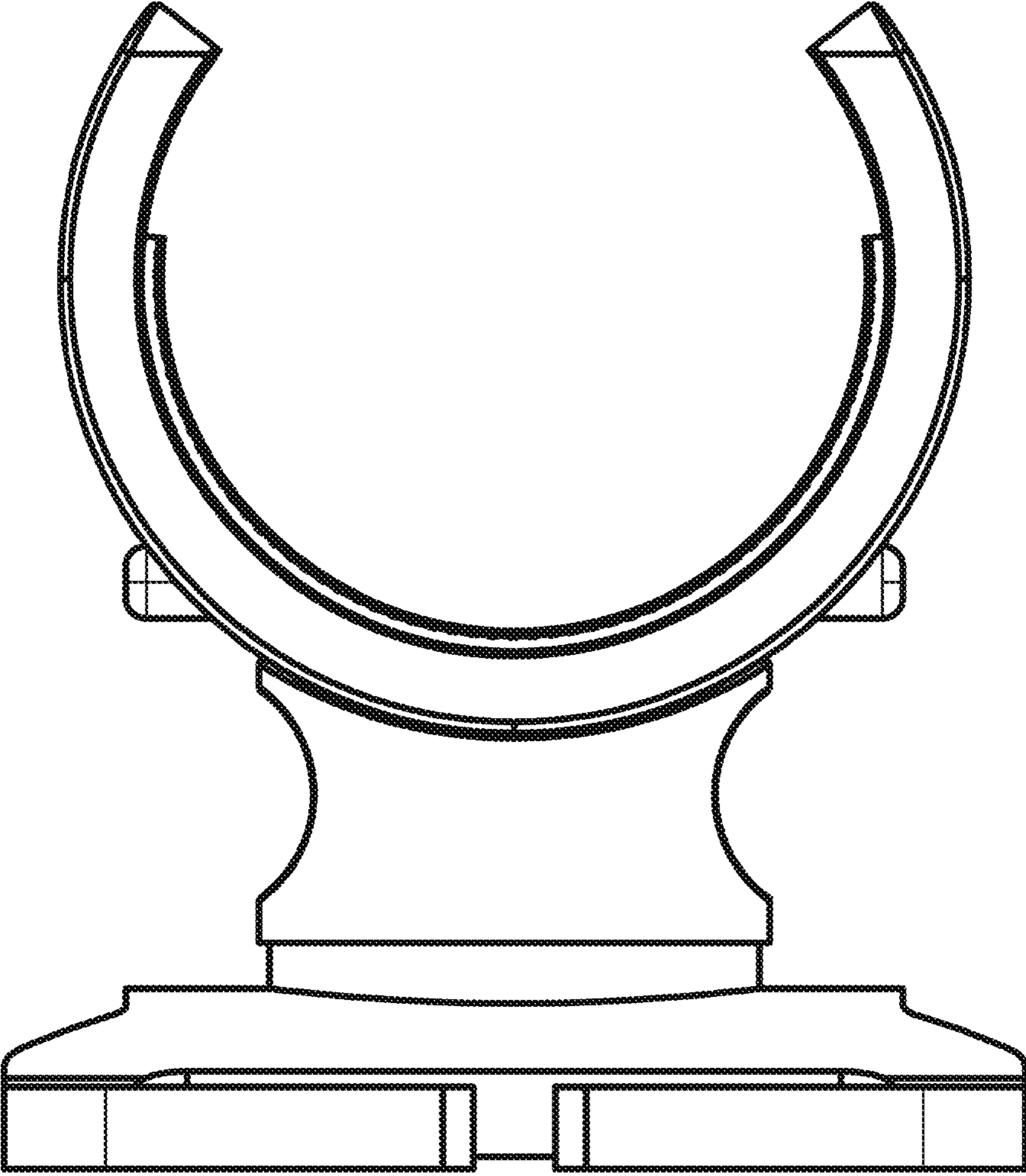


FIG. 3

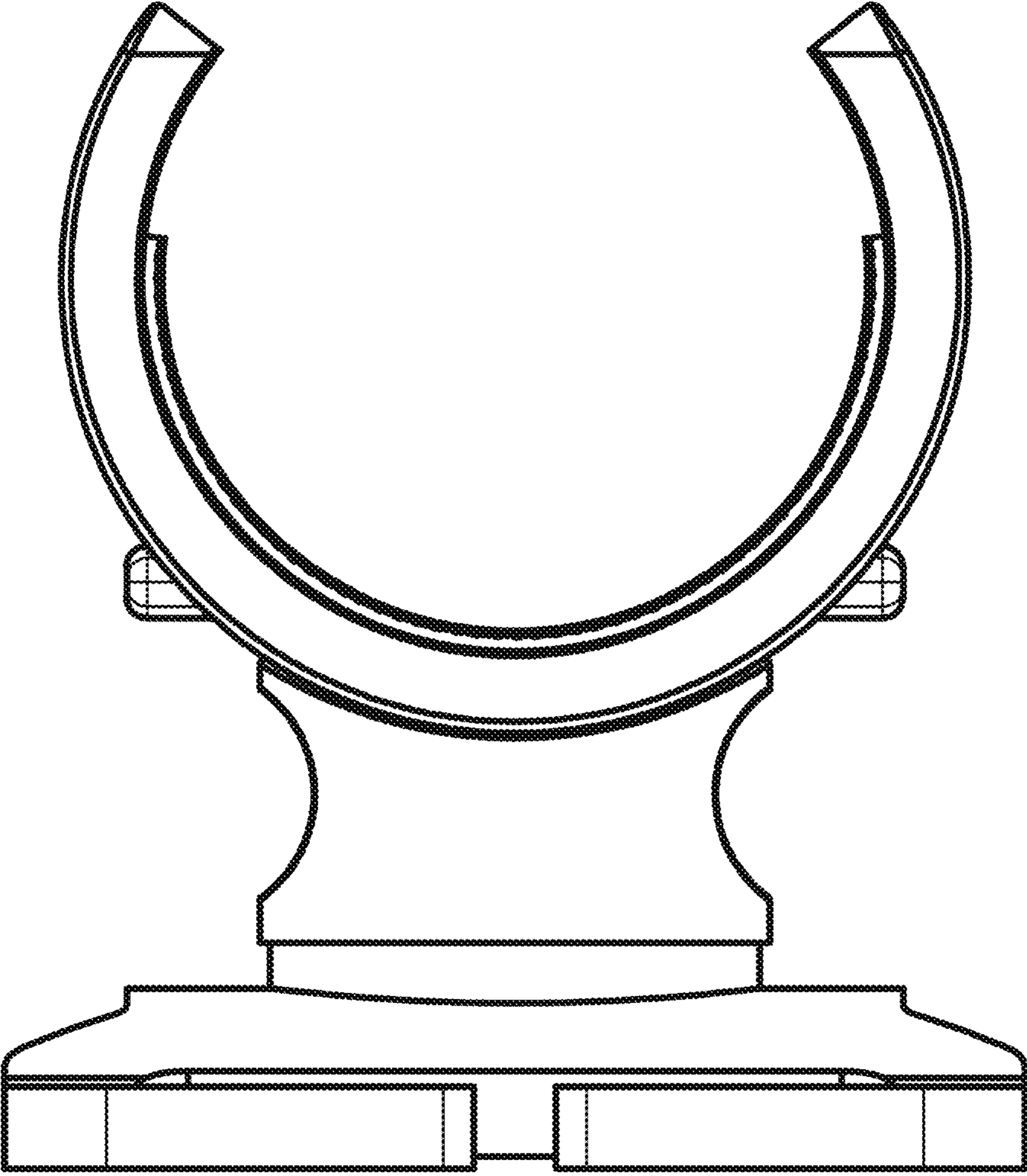


FIG. 4

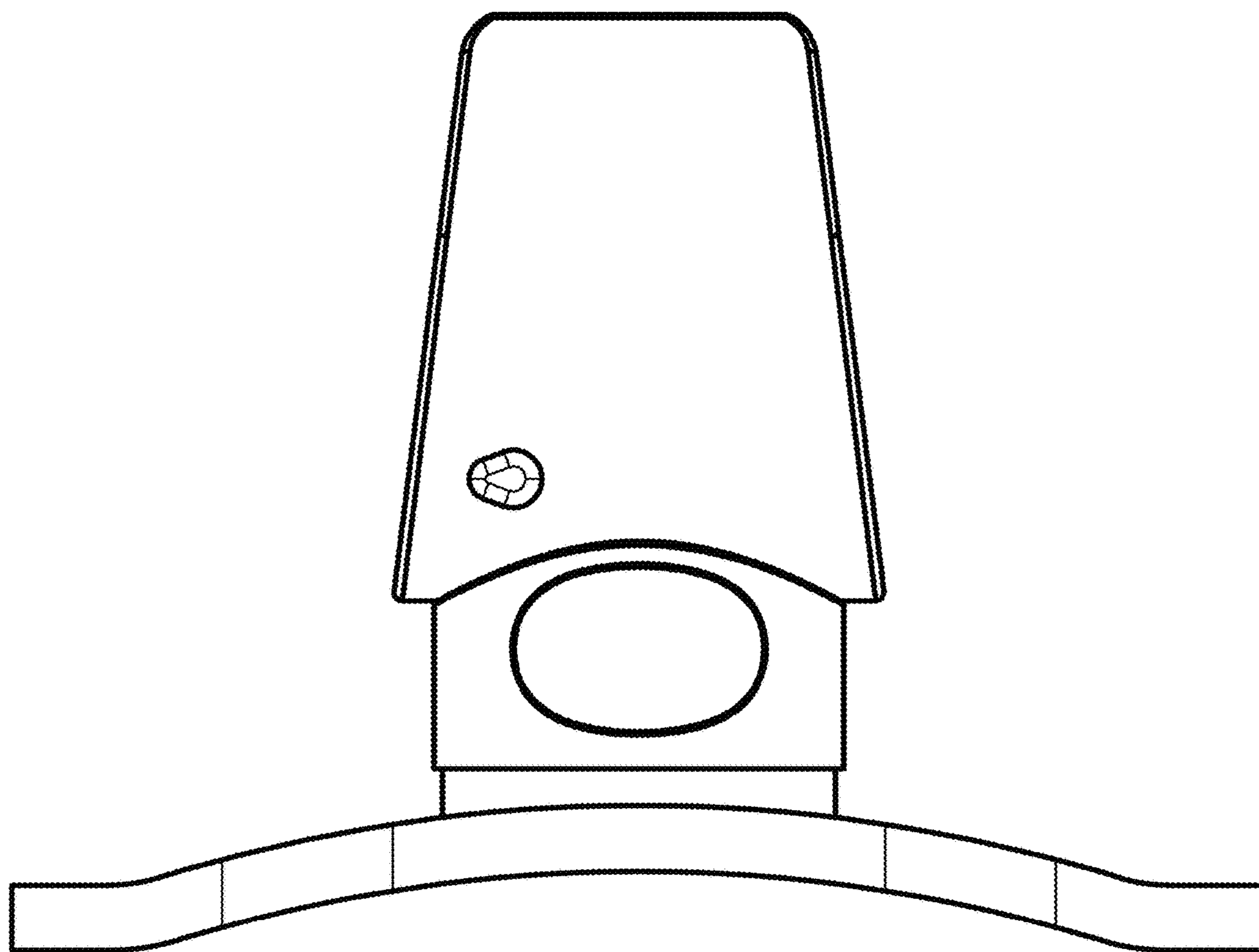


FIG. 5

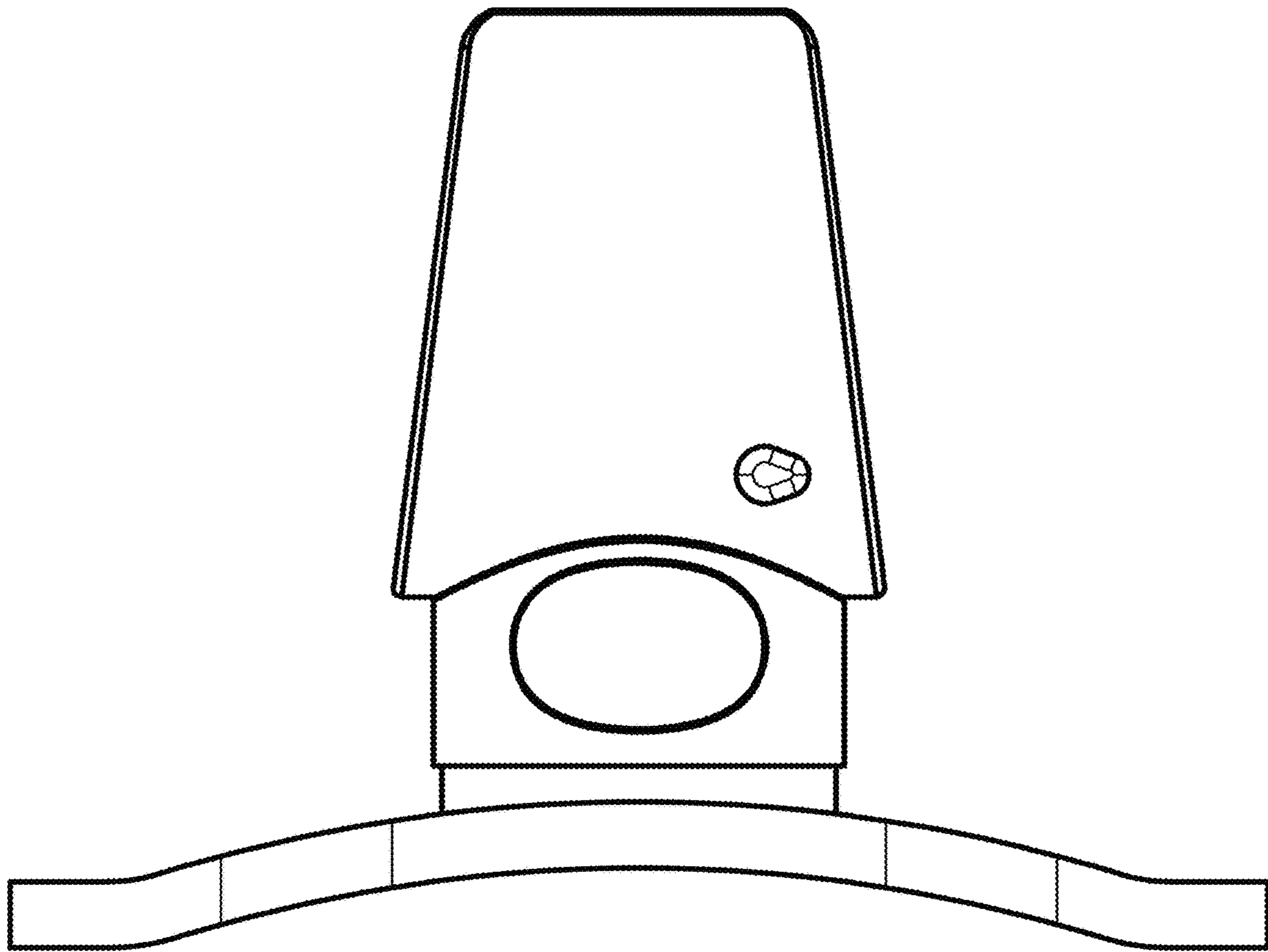


FIG. 6

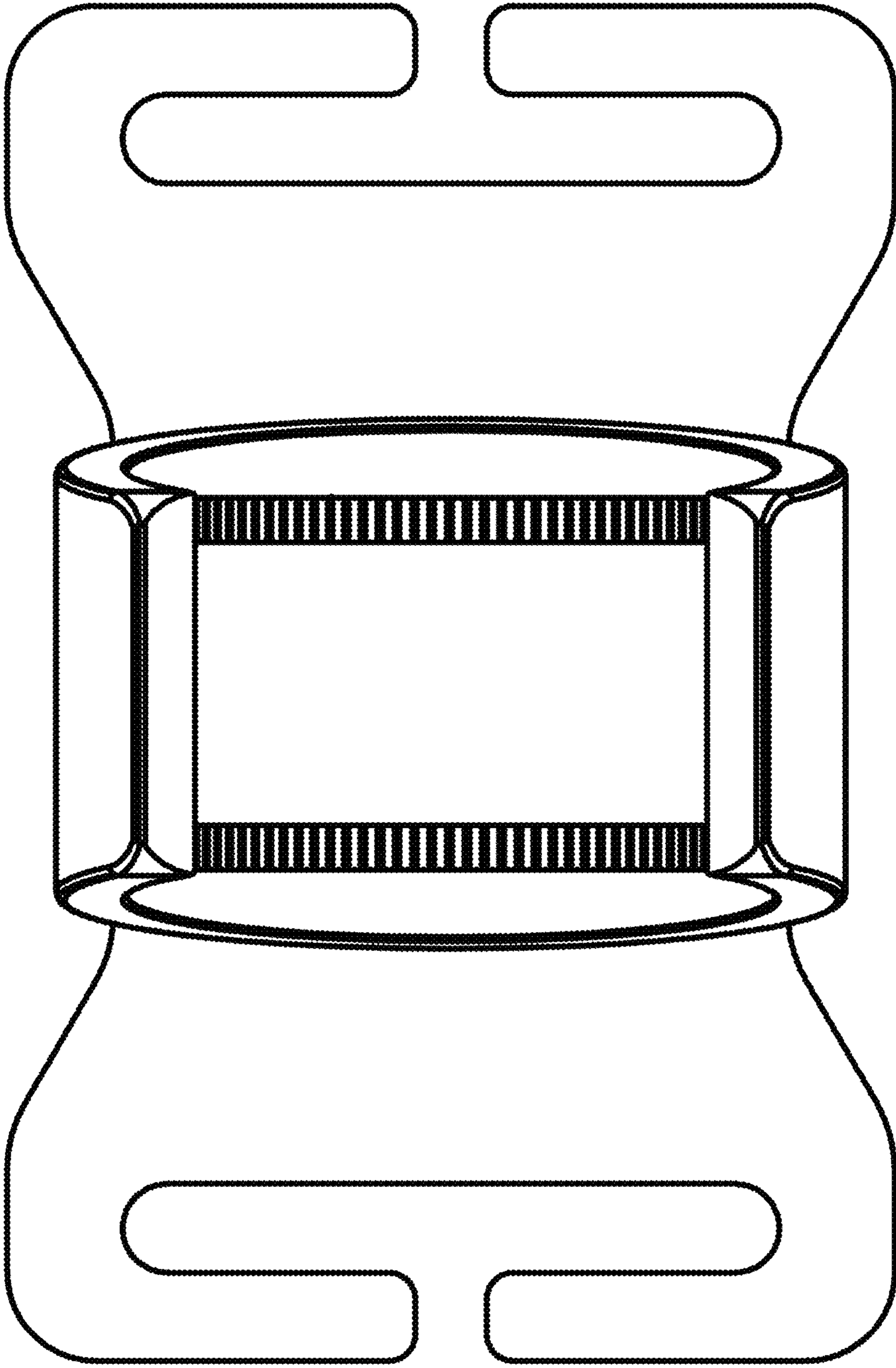


FIG. 7

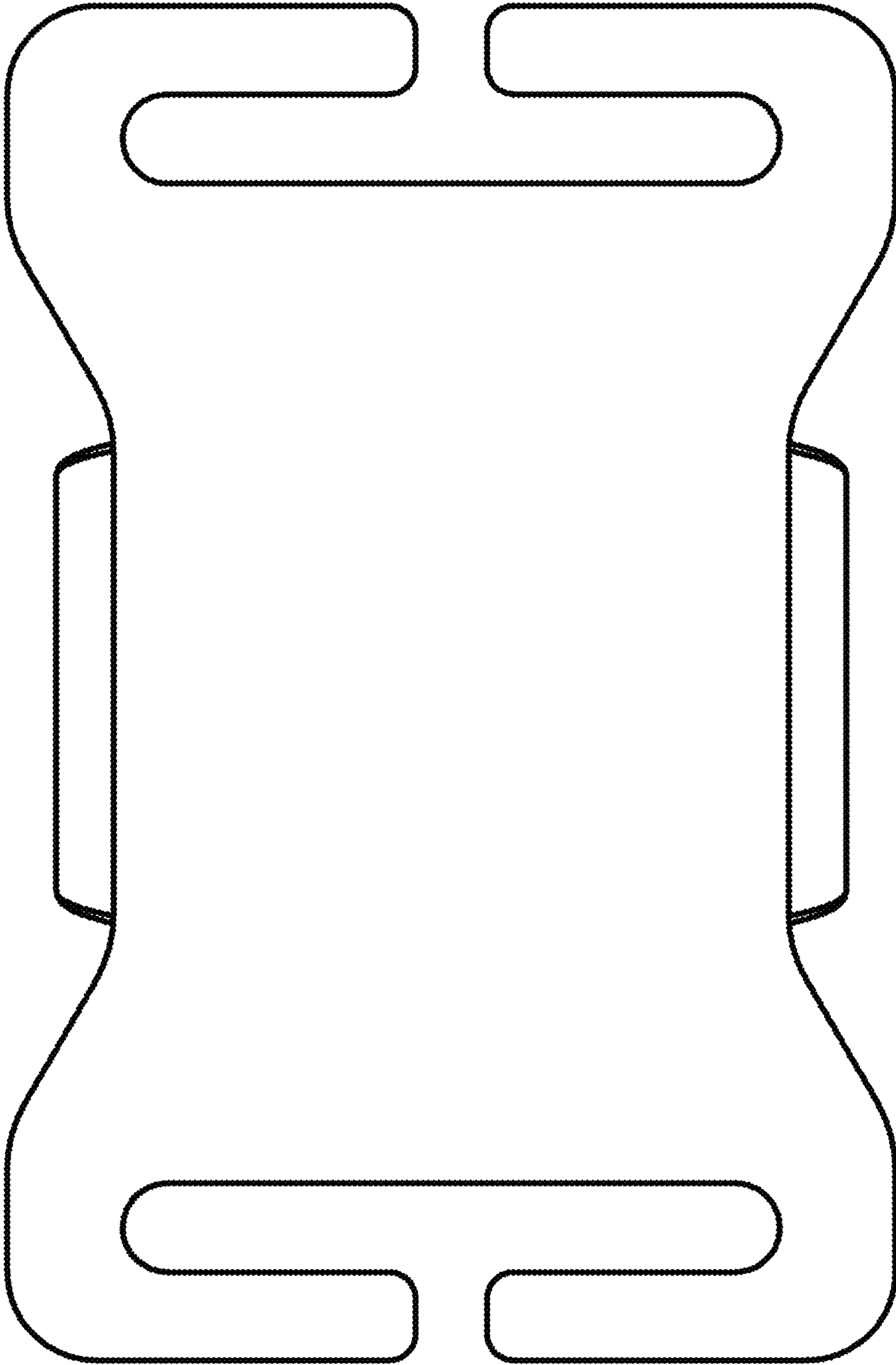


FIG. 8

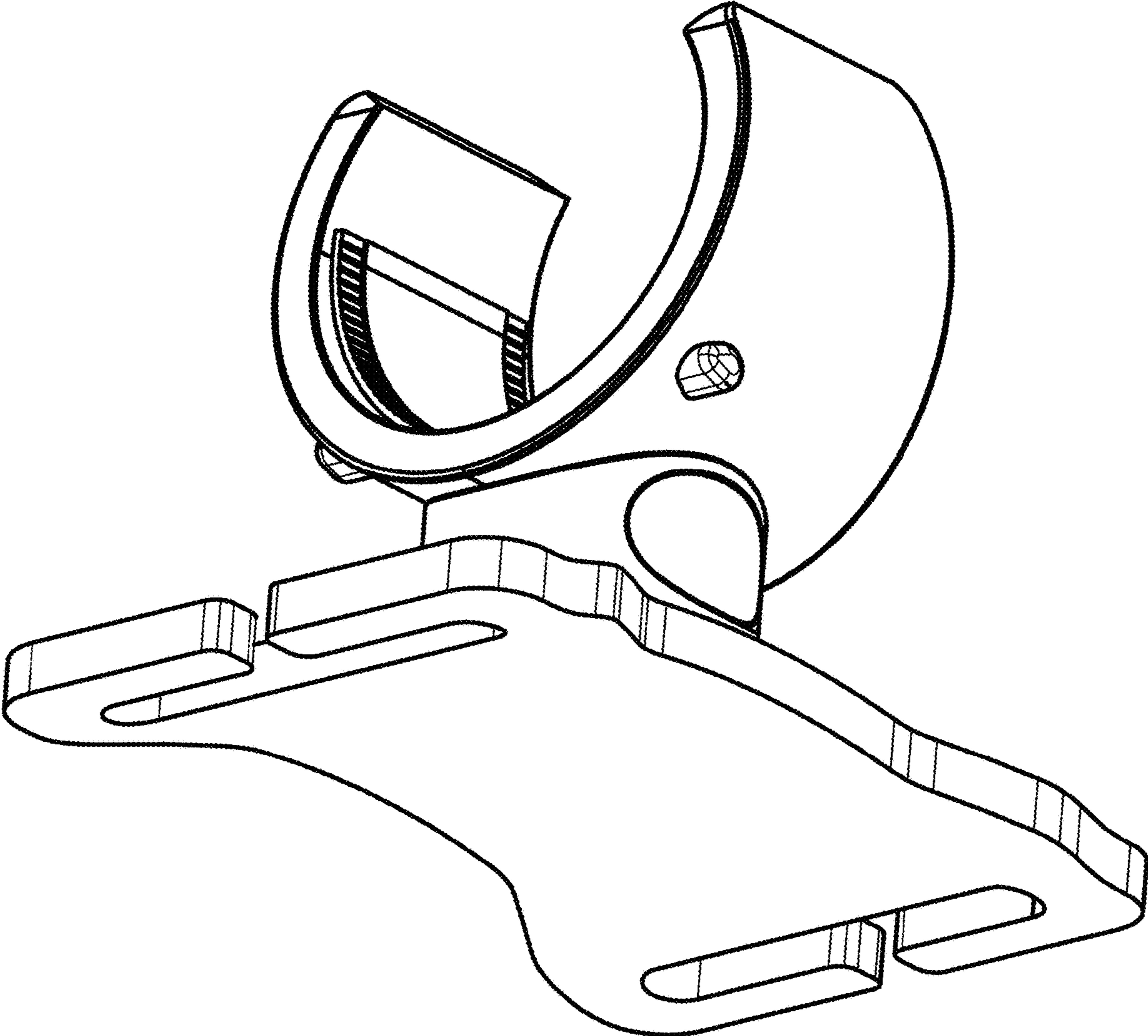


FIG. 9