



US00D884260S

(12) **United States Design Patent** (10) **Patent No.:** **US D884,260 S**  
**Soofer** (45) **Date of Patent:** **\*\* May 12, 2020**

- (54) **DECORATIVE STAKE**
- (71) Applicant: **Alpine Corporation**, Los Angeles, CA (US)
- (72) Inventor: **Sohrab Robby Soofer**, Beverly Hills, CA (US)
- (\*\*) Term: **15 Years**
- (21) Appl. No.: **29/668,651**
- (22) Filed: **Oct. 31, 2018**
- (51) **LOC (12) Cl.** ..... **26-05**
- (52) **U.S. Cl.**  
USPC ..... **D26/138**
- (58) **Field of Classification Search**  
USPC ..... D26/27, 138, 72, 74, 76, 78-83, 85, 86, D26/88, 90, 93, 111, 113, 118, 119, 120, D26/121, 122, 139, 140, 141, 142, 152  
CPC ..... F21S 2/00; F21S 4/00; F21S 4/003; F21S 4/005; F21S 4/006  
See application file for complete search history.

(56) **References Cited**

U.S. PATENT DOCUMENTS

D346,240 S *	4/1994	Dickens, Sr.	.....	D26/138
D470,972 S *	2/2003	Scantlin	.....	D26/138
D570,030 S *	5/2008	Starck	.....	D26/84
D614,340 S *	4/2010	Thun	.....	D26/88
D674,531 S *	1/2013	Yuen	.....	D26/93
D700,673 S *	3/2014	Ochagavia Torino	.....	D21/840
D702,515 S *	4/2014	Garber	.....	D8/1
D795,493 S *	8/2017	Ellis	.....	D26/142
D799,106 S *	10/2017	Adams, IV	.....	D26/138

D807,540 S	1/2018	Soofer	
D807,541 S	1/2018	Soofer	
D814,254 S *	4/2018	Handlos	..... D8/1
9,970,612 B2	5/2018	Soofer	
D819,878 S *	6/2018	Cerce	..... D26/138
D827,176 S *	8/2018	Mirchandani	..... D26/67
D846,789 S *	4/2019	Barber	..... D26/88
D854,727 S *	7/2019	Cole	..... D26/76
D869,741 S *	12/2019	Sonneman	..... D26/138
D869,742 S *	12/2019	Sonneman	..... D26/138
D869,743 S *	12/2019	Sonneman	..... D26/138
D869,744 S *	12/2019	Sonneman	..... D26/138
2017/0001213 A1 *	1/2017	Peterson	..... B05B 15/622

\* cited by examiner

*Primary Examiner* — Mark A Goodwin

*Assistant Examiner* — Benjamin M Weeks

(74) *Attorney, Agent, or Firm* — Payam Moradian

(57) **CLAIM**

I claim the ornamental design for a decorative stake, as shown and described.

**DESCRIPTION**

FIG. 1 is a perspective view of a decorative stake showing my new design;

FIG. 2 is a left side view thereof;

FIG. 3 is a right side view thereof;

FIG. 4 is a front side view thereof;

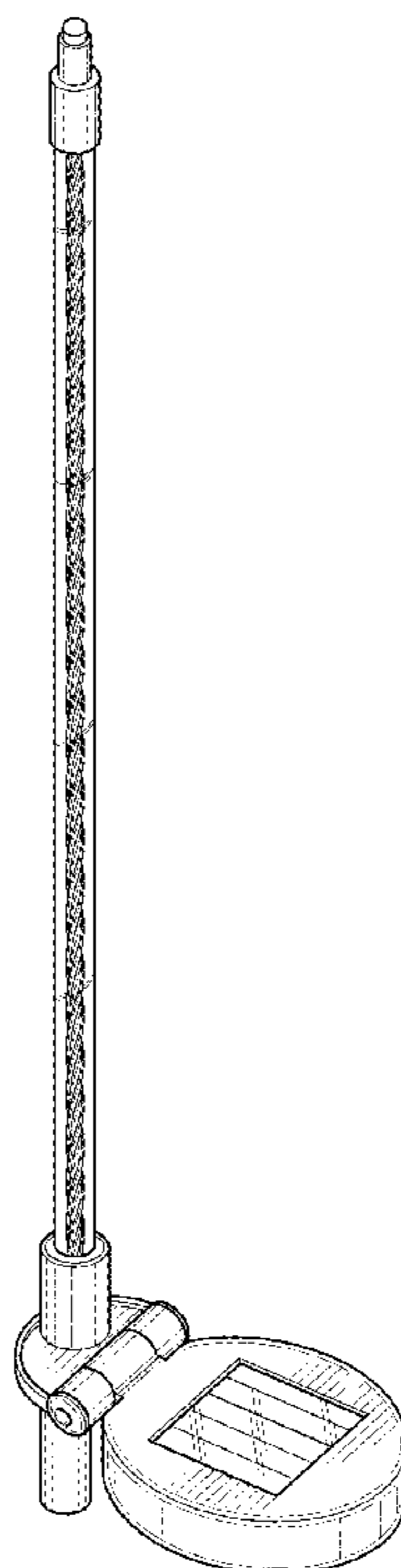
FIG. 5 is a back side view thereof;

FIG. 6 is a top plan view thereof; and,

FIG. 7 is a bottom plan view thereof.

The broken lines in the drawings are for showing portions of the article and form no part of the claimed design.

**1 Claim, 4 Drawing Sheets**



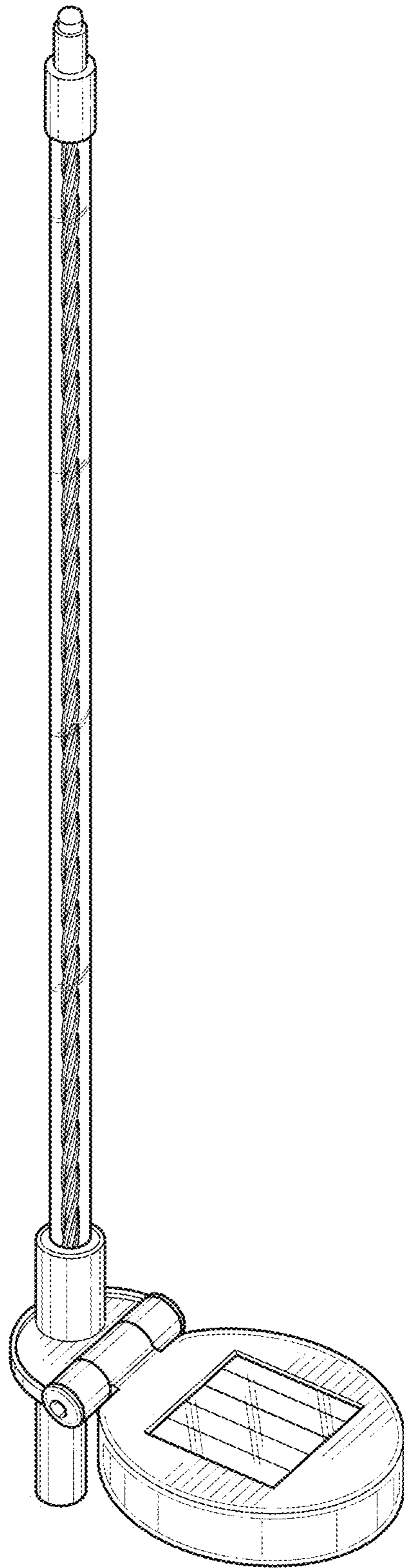


FIG. 1

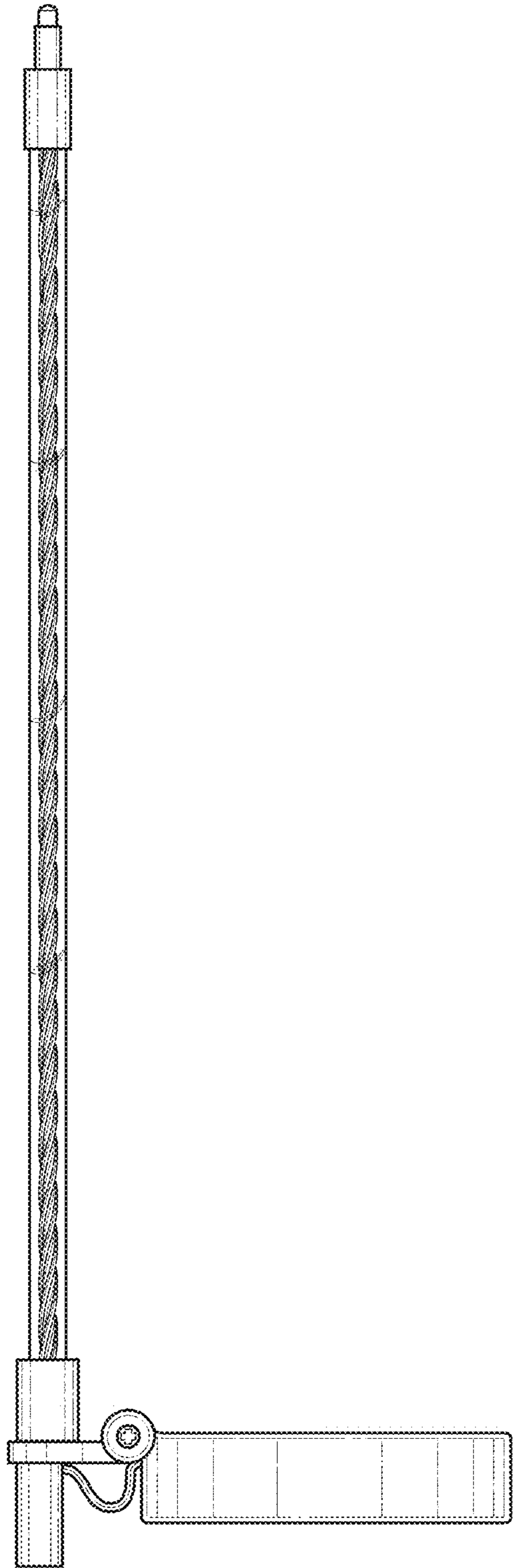


FIG. 2

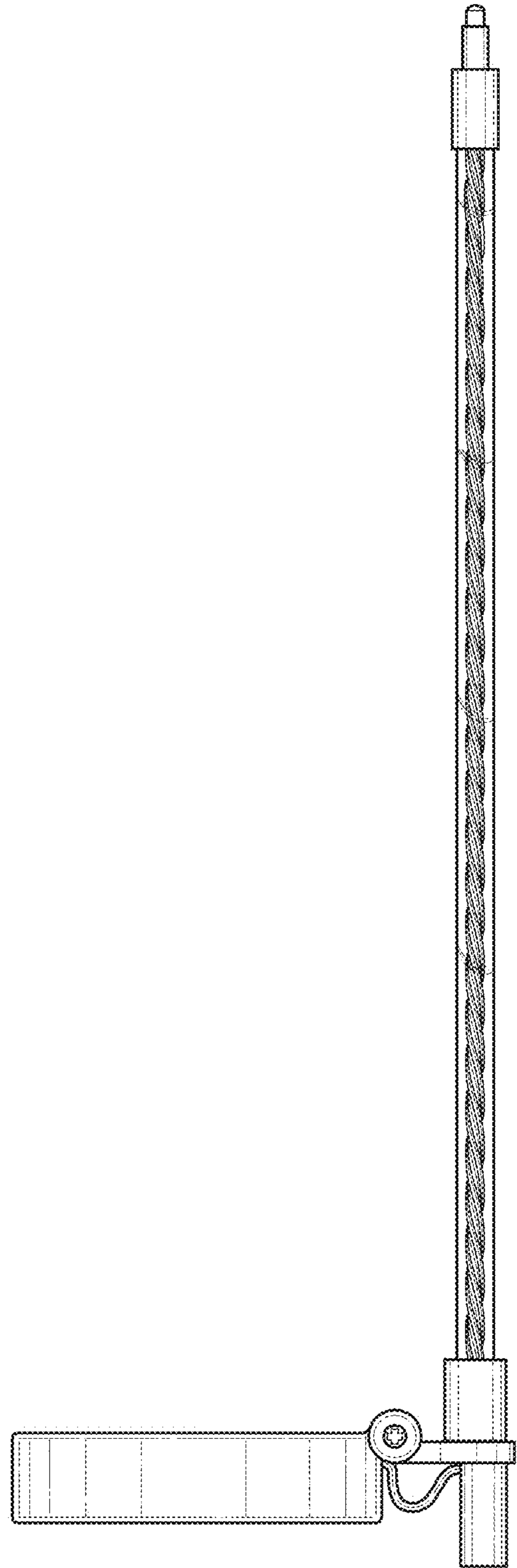


FIG. 3

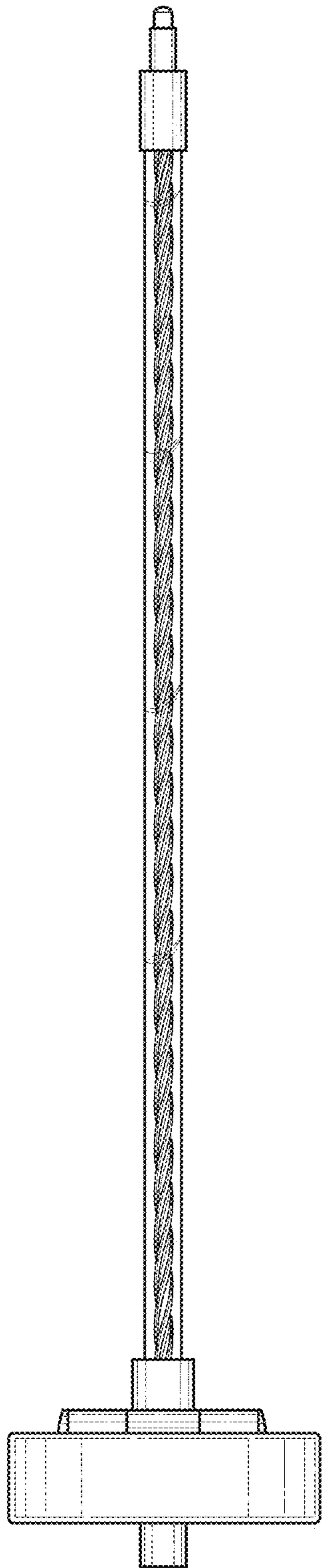


FIG. 4

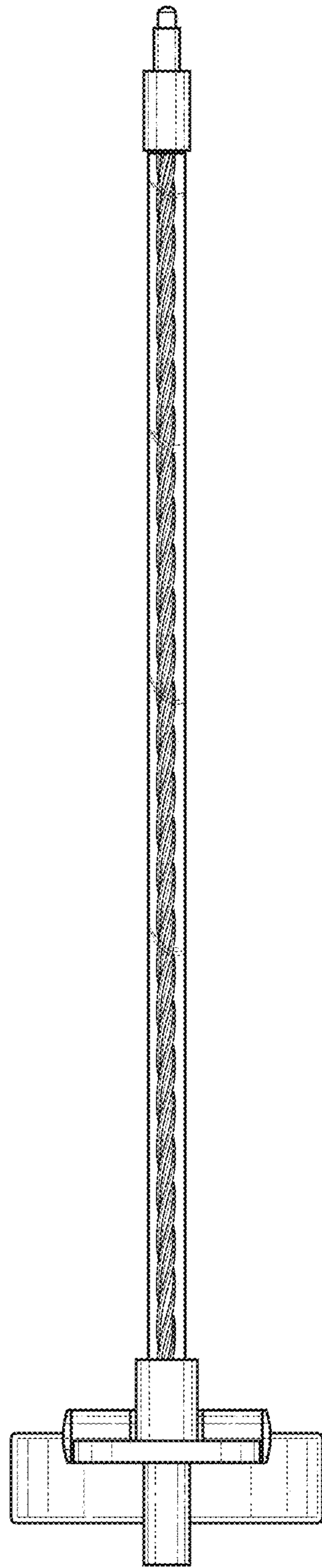


FIG. 5

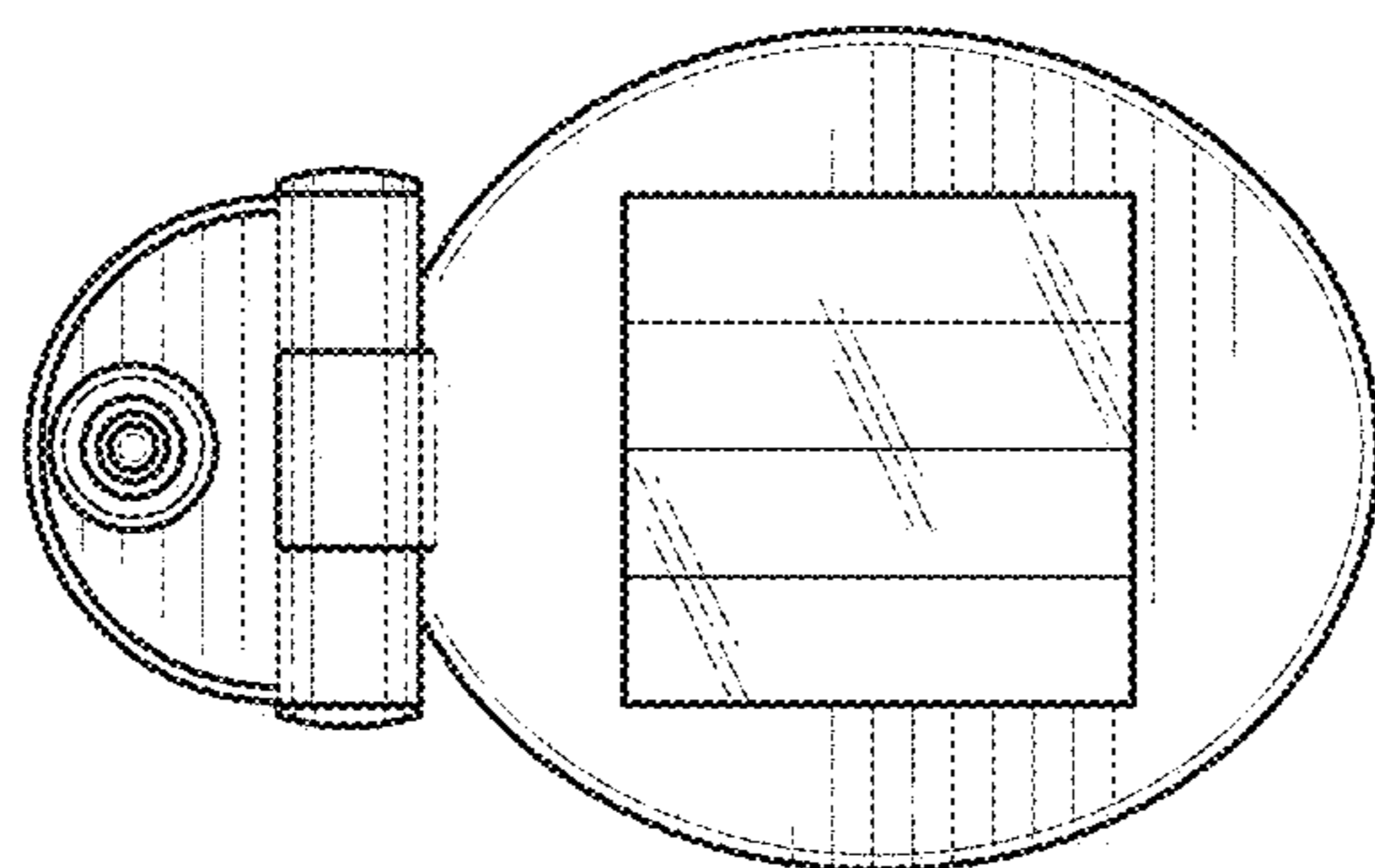


FIG. 6

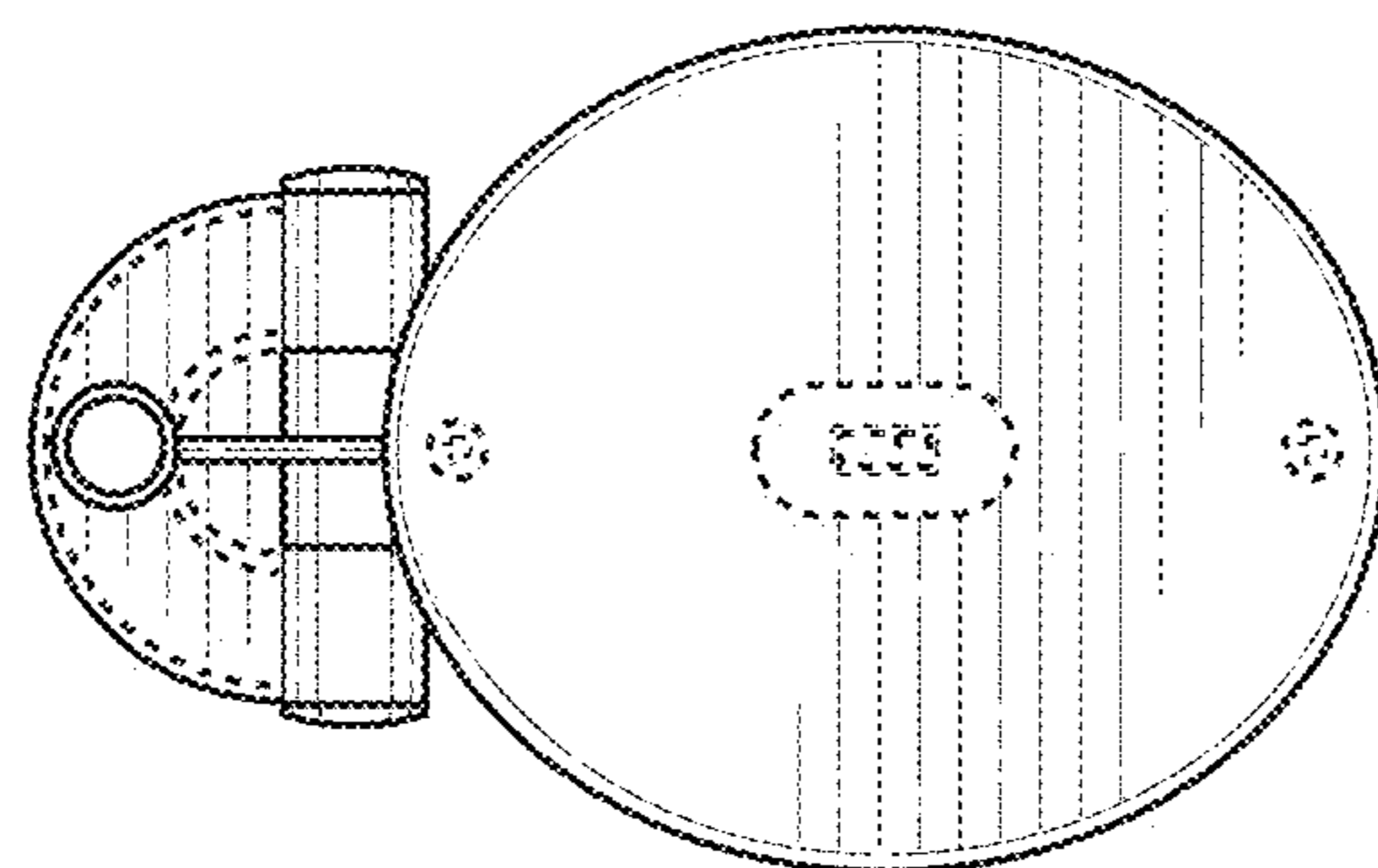


FIG. 7