



US00D884258S

(12) **United States Design Patent** (10) **Patent No.:** **US D884,258 S**  
**Schmid et al.** (45) **Date of Patent:** **\*\* May 12, 2020**

(54) **MEDICAL LAMP**  
(71) Applicant: **MAVIG GmbH**, Munich (DE)  
(72) Inventors: **Martin Schmid**, Munich (DE);  
**Christian Spangenberg**, Munich (DE)  
(73) Assignee: **MAVIG GMBH**, Munich (DE)  
(\*\*) Term: **15 Years**  
(21) Appl. No.: **29/645,079**  
(22) Filed: **Apr. 23, 2018**

D448,507 S \* 9/2001 Shen ..... D26/63  
D457,671 S \* 5/2002 Jacquelin ..... D26/51  
D472,659 S \* 4/2003 Wang ..... D26/63  
D478,682 S \* 8/2003 Abry ..... D26/65  
D480,831 S \* 10/2003 Pallo ..... D26/142  
D483,147 S \* 12/2003 Farmer ..... D26/118  
D558,371 S \* 12/2007 Meda ..... D26/62  
D577,854 S \* 9/2008 Tufano ..... D26/138  
D600,853 S \* 9/2009 Clepper ..... D26/138  
D607,142 S \* 12/2009 Alvarez ..... D26/118  
D684,296 S \* 6/2013 Henderson ..... D26/118  
D699,879 S \* 2/2014 Haenel ..... D26/63  
D766,496 S \* 9/2016 Maerzke ..... D26/118  
D790,756 S \* 6/2017 Elfring ..... D26/118  
D844,688 S \* 4/2019 Hodgson ..... D16/135

\* cited by examiner

(30) **Foreign Application Priority Data**  
Nov. 24, 2017 (EM) ..... 004521250  
(51) **LOC (12) Cl.** ..... **26-05**  
(52) **U.S. Cl.**  
USPC ..... **D26/138; D26/118**  
(58) **Field of Classification Search**  
USPC ..... D26/72, 74, 76, 78-83, 85, 86, 88, 90,  
D26/93, 111, 113, 118, 119, 120, 121,  
D26/122, 138, 139, 140, 141, 142, 152  
CPC ..... F21S 2/00; F21S 4/00; F21S 4/003; F21S  
4/005; F21S 4/006; F21S 4/007; F21S  
4/008; F21S 6/00; F21S 8/00; F21S  
8/024; F21S 8/026; F21S 8/031; F21S  
8/033; F21S 8/035-037; F21S 8/04; F21S  
8/043; F21S 8/063  
See application file for complete search history.

*Primary Examiner* — Natasha Vujcic  
(74) *Attorney, Agent, or Firm* — Hodgson Russ LLP

(57) **CLAIM**

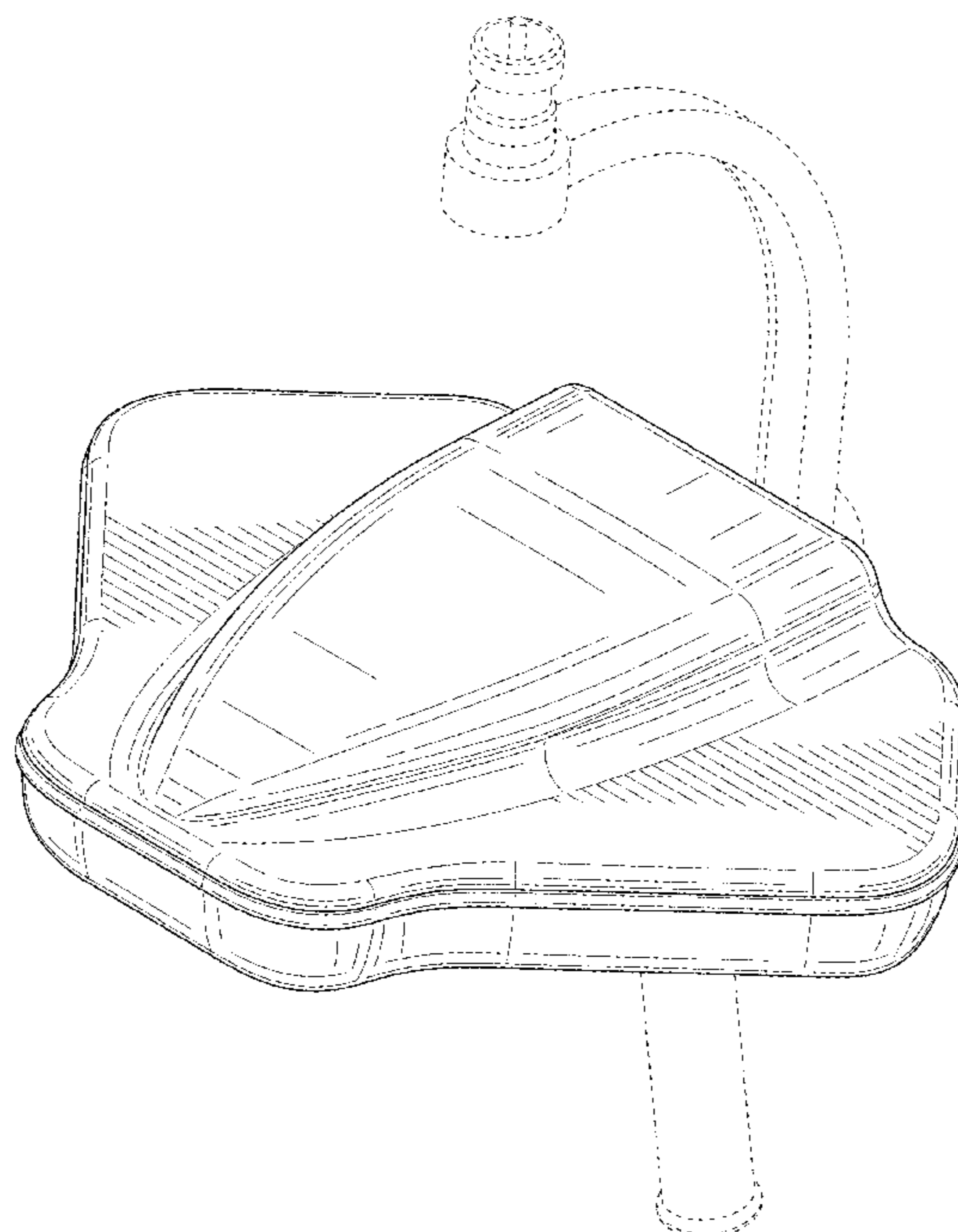
The ornamental design for a medical lamp, as shown and described.

**DESCRIPTION**

FIG. 1 is a top perspective view of a medical lamp showing our new design;  
FIG. 2 is a bottom perspective view thereof;  
FIG. 3 is a top plan view thereof;  
FIG. 4 is a bottom plan view thereof;  
FIG. 5 is a front elevation view thereof;  
FIG. 6 is a rear elevation view thereof;  
FIG. 7 is a right side elevation view thereof; and,  
FIG. 8 is a left side elevation view thereof.  
The dashed lines illustrate portions of the medical lamp that form no part of the claimed design.

(56) **References Cited**  
U.S. PATENT DOCUMENTS  
D348,953 S \* 7/1994 Shwisha ..... D26/135  
D369,876 S \* 5/1996 Muellenmeister ..... D26/63

**1 Claim, 8 Drawing Sheets**



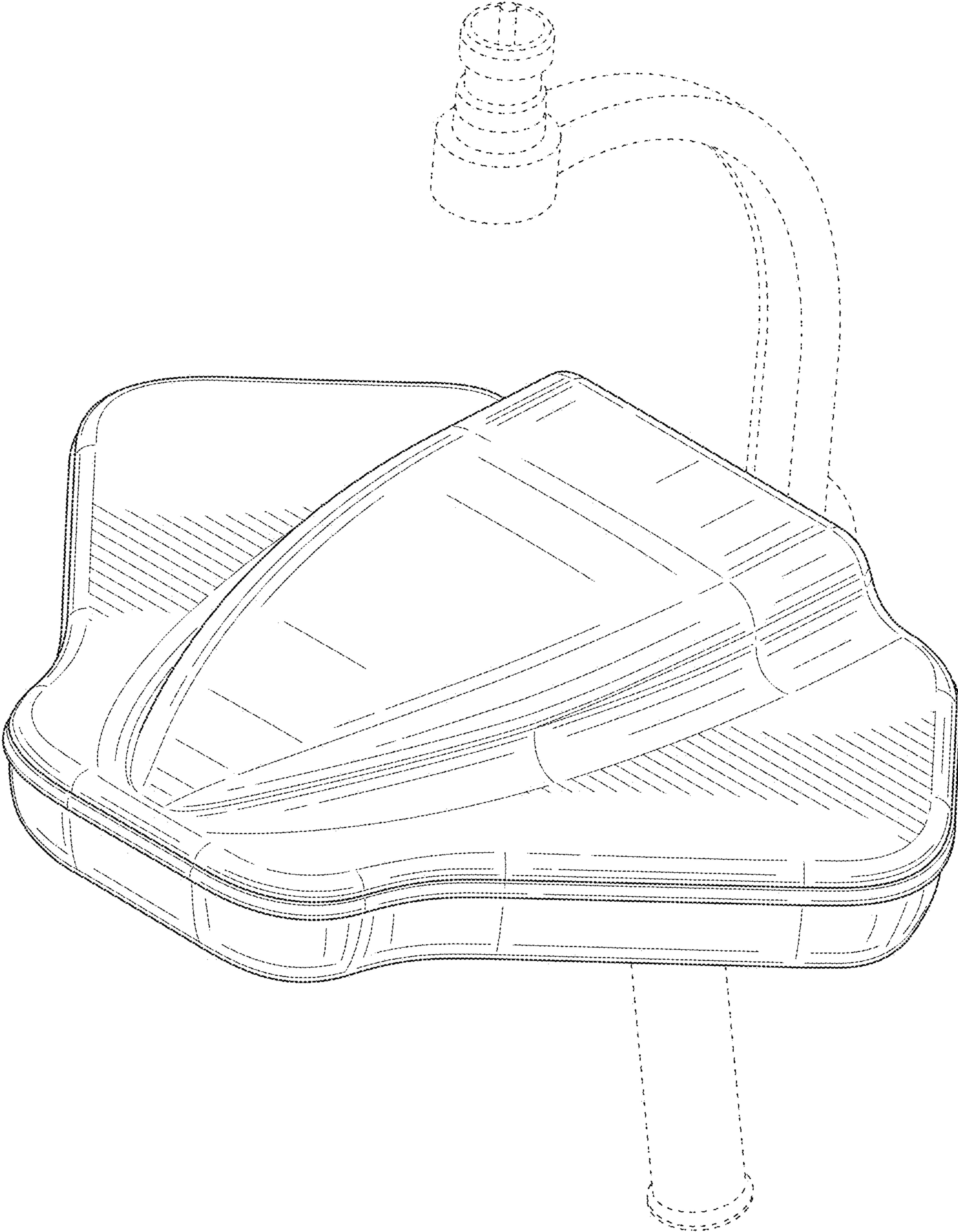


FIG. 1

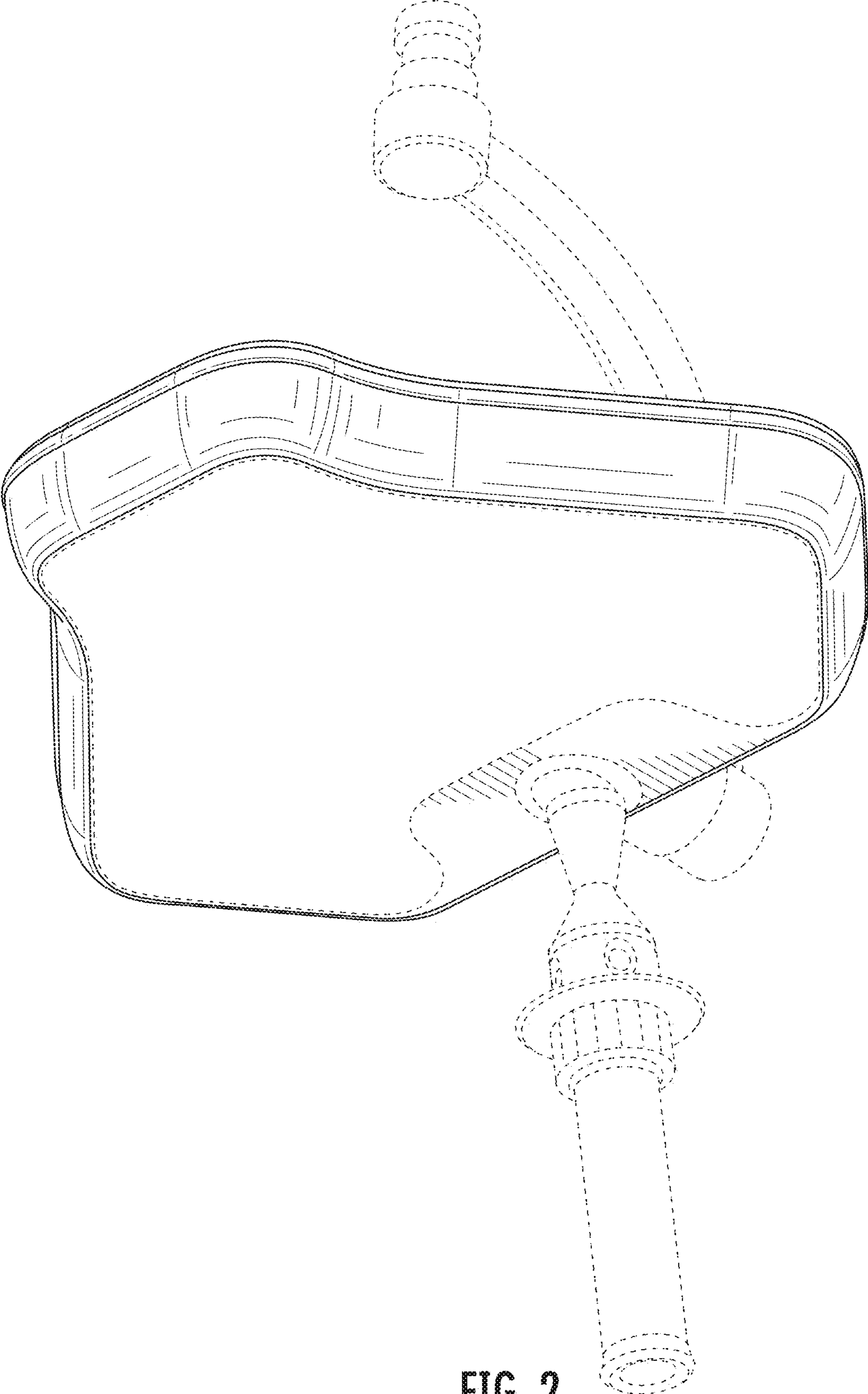


FIG. 2



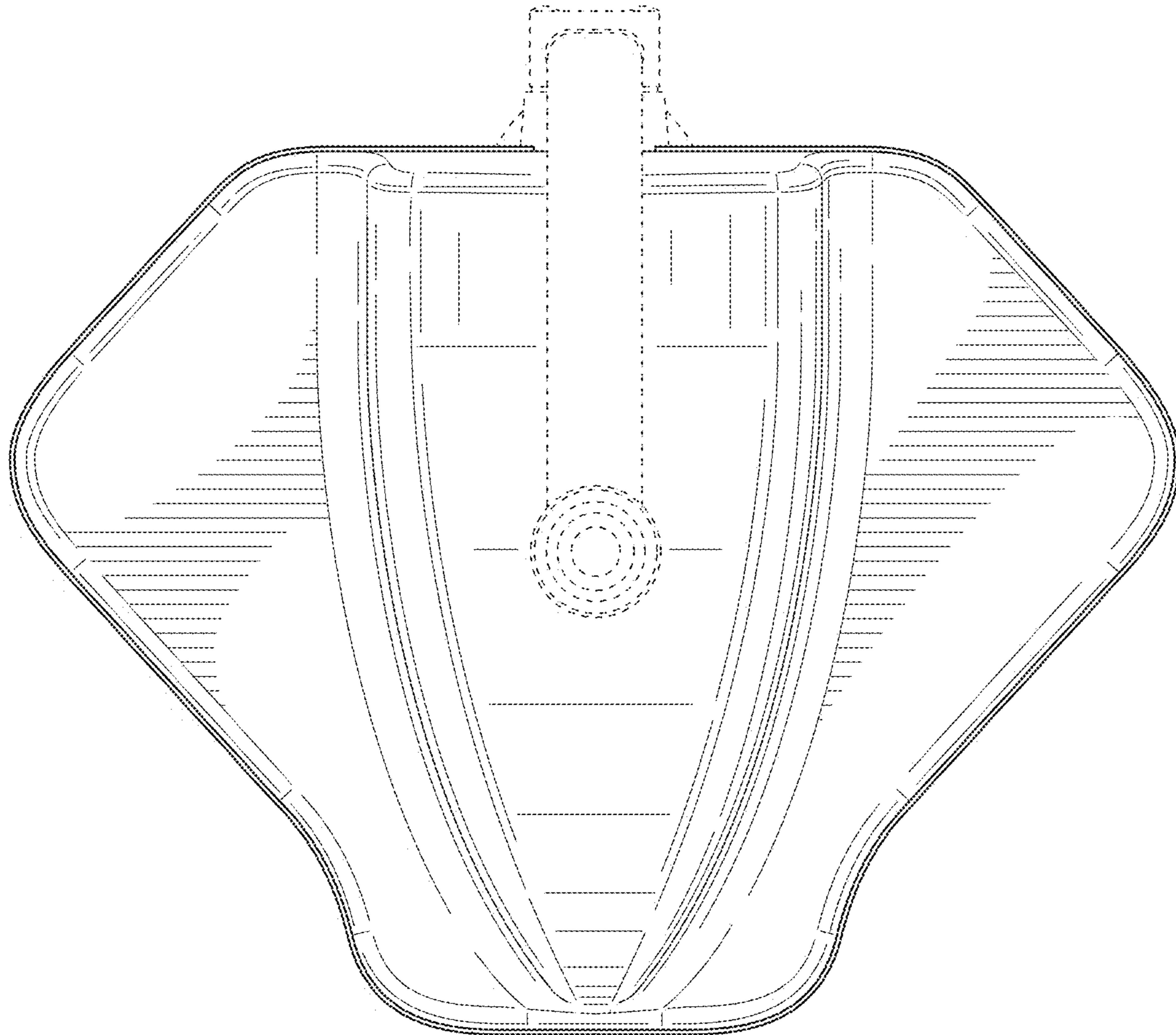


FIG. 3

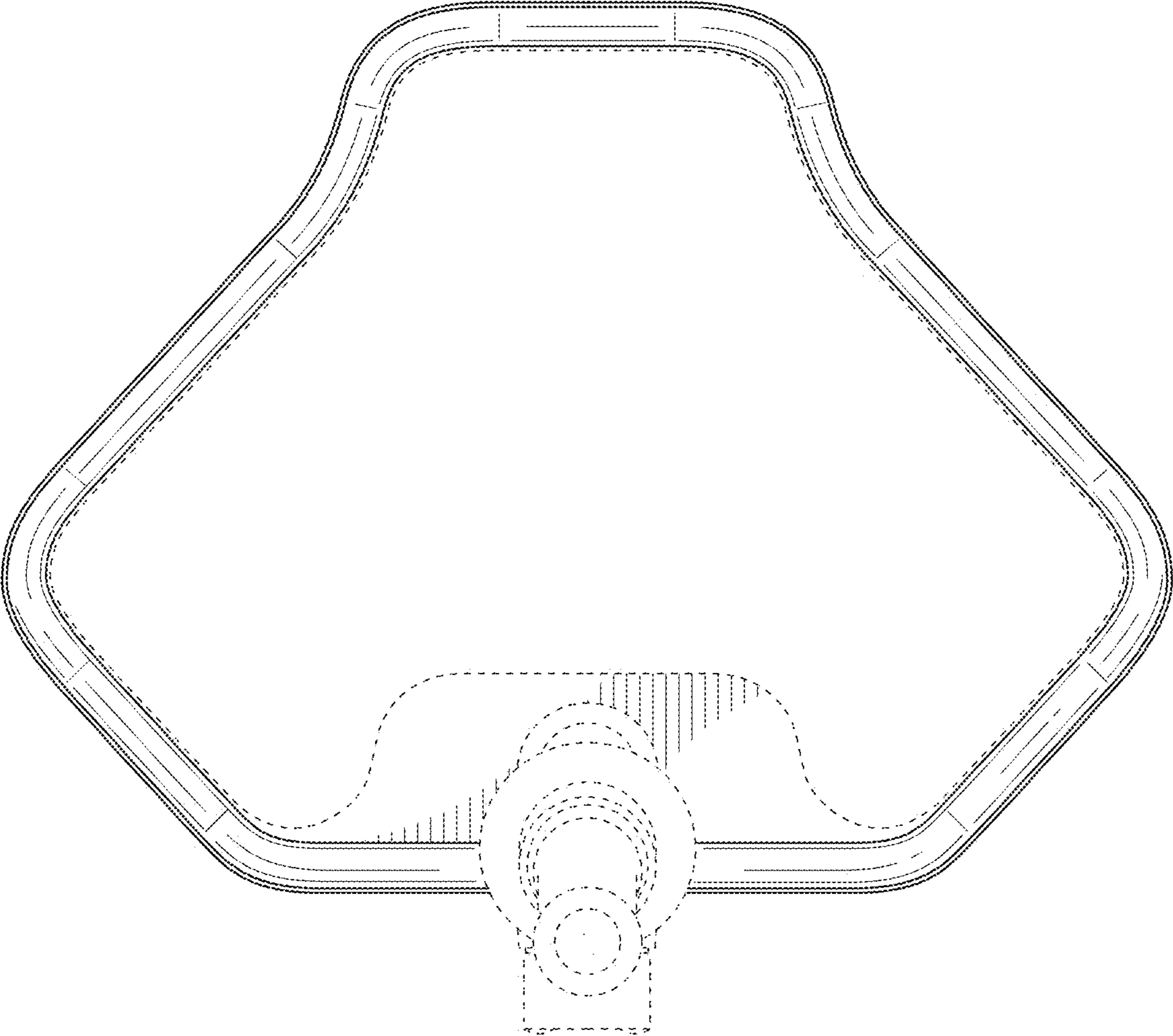


FIG. 4

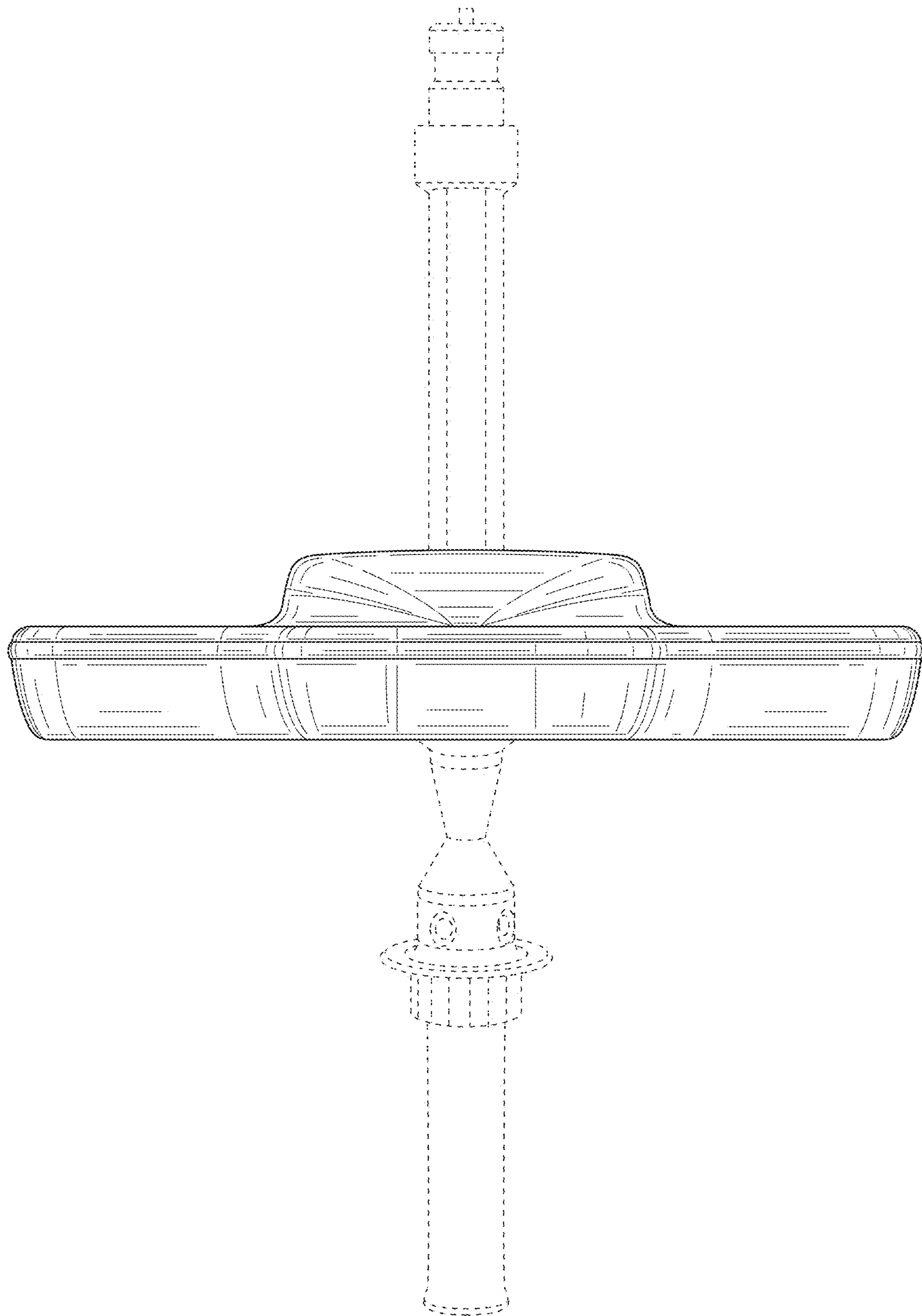


FIG. 5

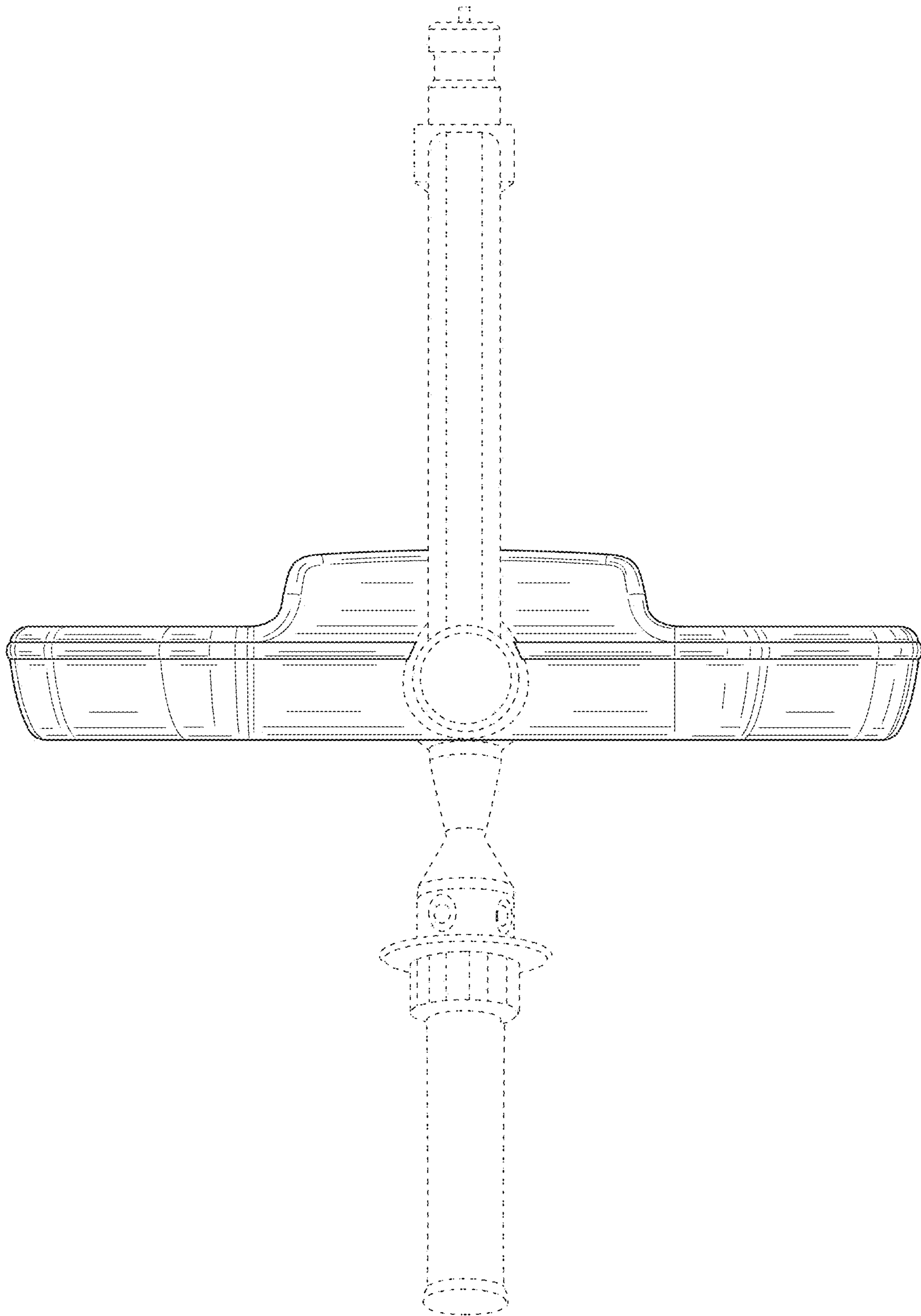


FIG. 6

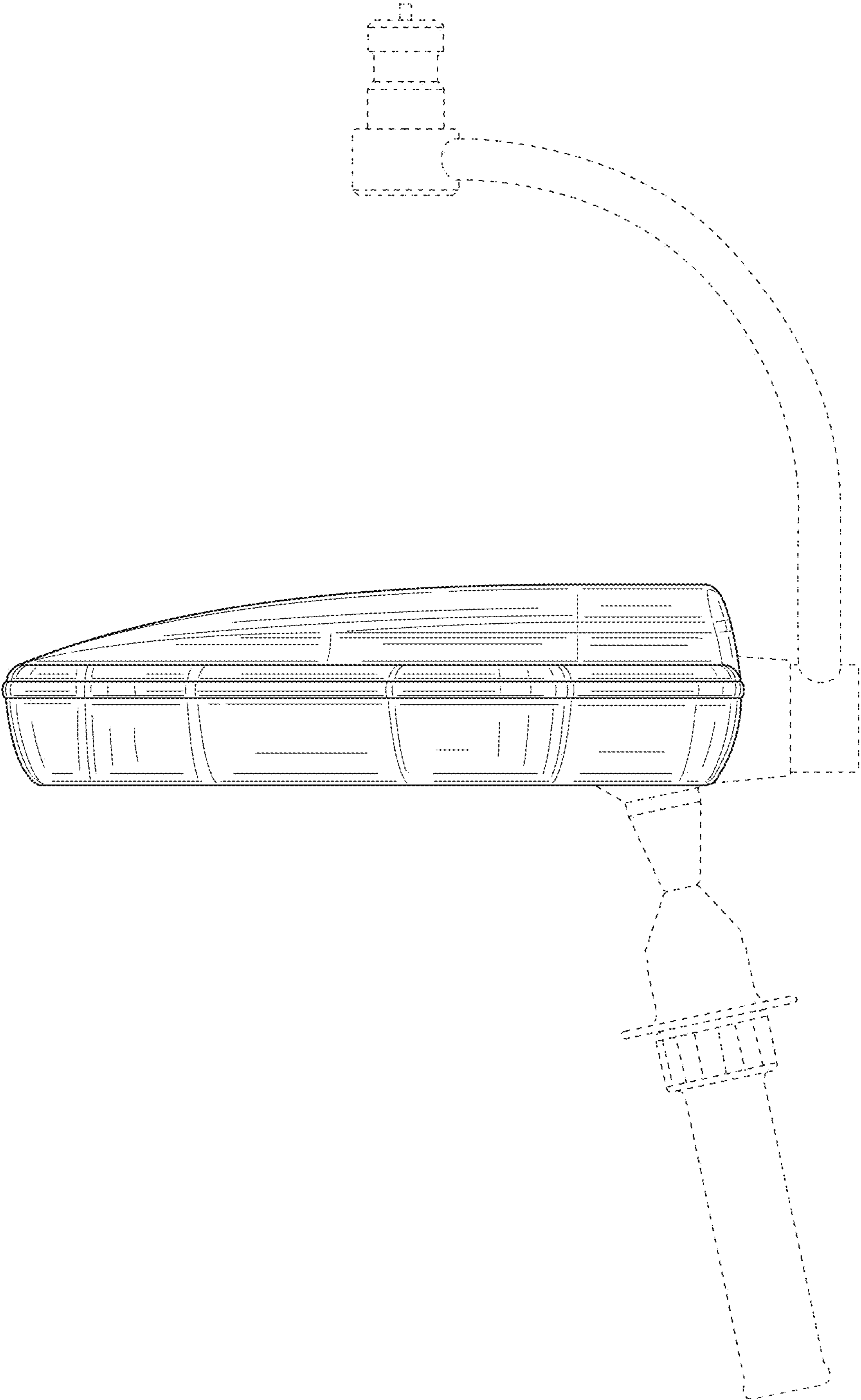


FIG. 7



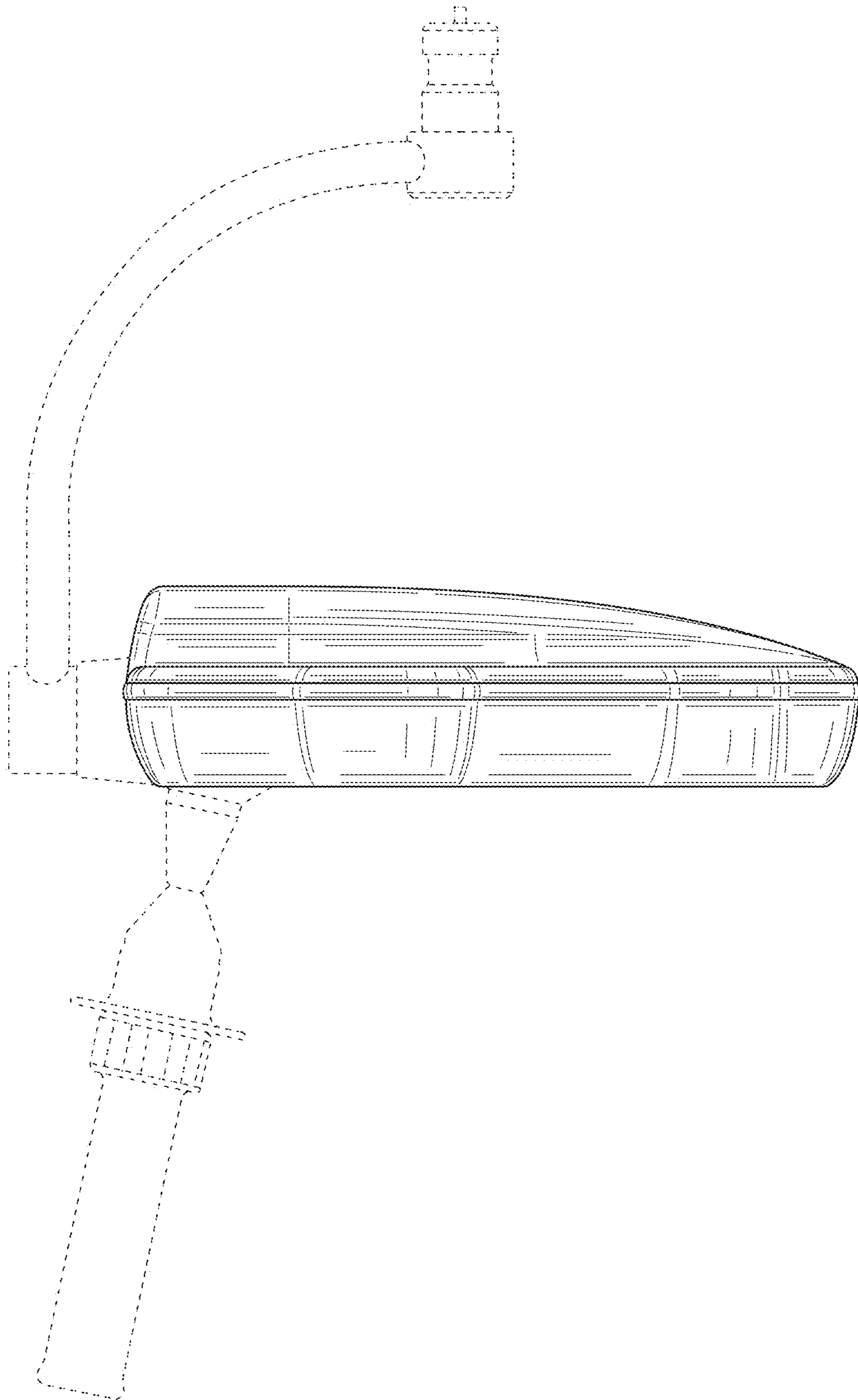


FIG. 8