



US00D884254S

(12) **United States Design Patent**
Li

(10) **Patent No.:** **US D884,254 S**

(45) **Date of Patent:** **** May 12, 2020**

(54) **DIAMOND UNDERWATER LIGHT**

(71) Applicant: **Jinzhi Li**, Gansu (CN)

(72) Inventor: **Jinzhi Li**, Gansu (CN)

(**) Term: **15 Years**

(21) Appl. No.: **29/654,966**

(22) Filed: **Jun. 28, 2018**

(51) **LOC (12) Cl.** **26-03**

(52) **U.S. Cl.**

USPC **D26/110**

(58) **Field of Classification Search**

USPC D26/1, 4, 24, 27, 51, 93, 94, 104, 106,
D26/110; D11/131, 157, 184, 121, 125

CPC .. A63H 13/00; F21S 6/00; F21S 6/002; F21S
10/00; F21V 3/00; F21V 3/0418; F21V
15/00; F21V 21/02; F21V 31/00; F21W
2121/00; F21W 2131/30

See application file for complete search history.

(56) **References Cited**

U.S. PATENT DOCUMENTS

D379,550 S * 5/1997 Kuo D26/118

D574,750 S * 8/2008 Sano D11/157

D646,839 S * 10/2011 Verelst D26/106

D665,935 S * 8/2012 Guinon D26/37

D814,686 S * 4/2018 Chen D26/110

D861,967 S * 10/2019 Lin D26/110

* cited by examiner

Primary Examiner — Brian N. Vinson

(57) **CLAIM**

The ornamental design for a diamond underwater light, as shown and described.

DESCRIPTION

FIG. 1 is a top perspective view of a diamond underwater light showing my new design;

FIG. 2 is a bottom perspective view thereof;

FIG. 3 is a front elevational view thereof;

FIG. 4 is a rear elevational view thereof;

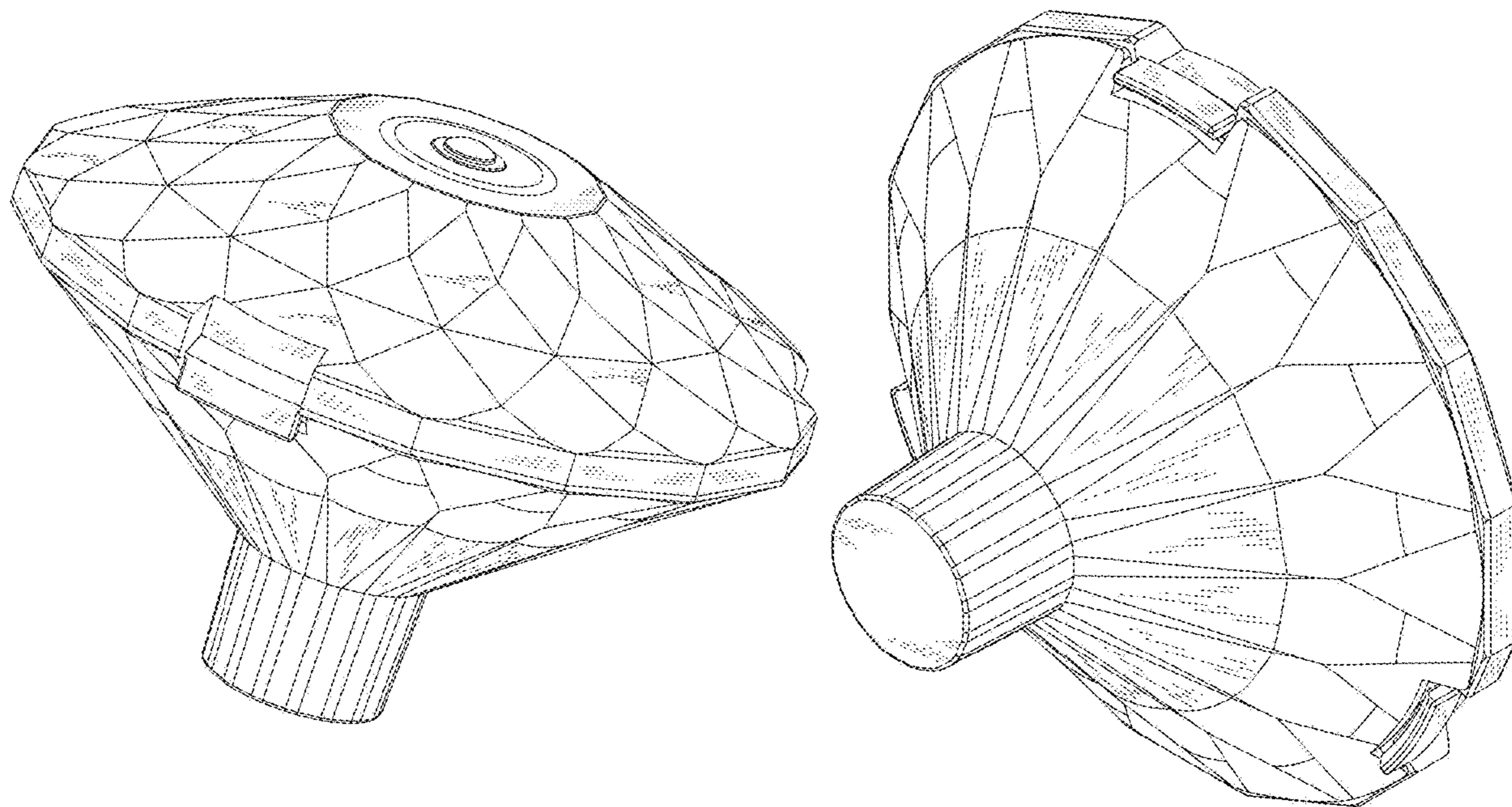
FIG. 5 is a left side elevational view thereof;

FIG. 6 is a right side elevational view thereof;

FIG. 7 is a top plan view thereof; and,

FIG. 8 is a bottom plan view thereof.

1 Claim, 8 Drawing Sheets



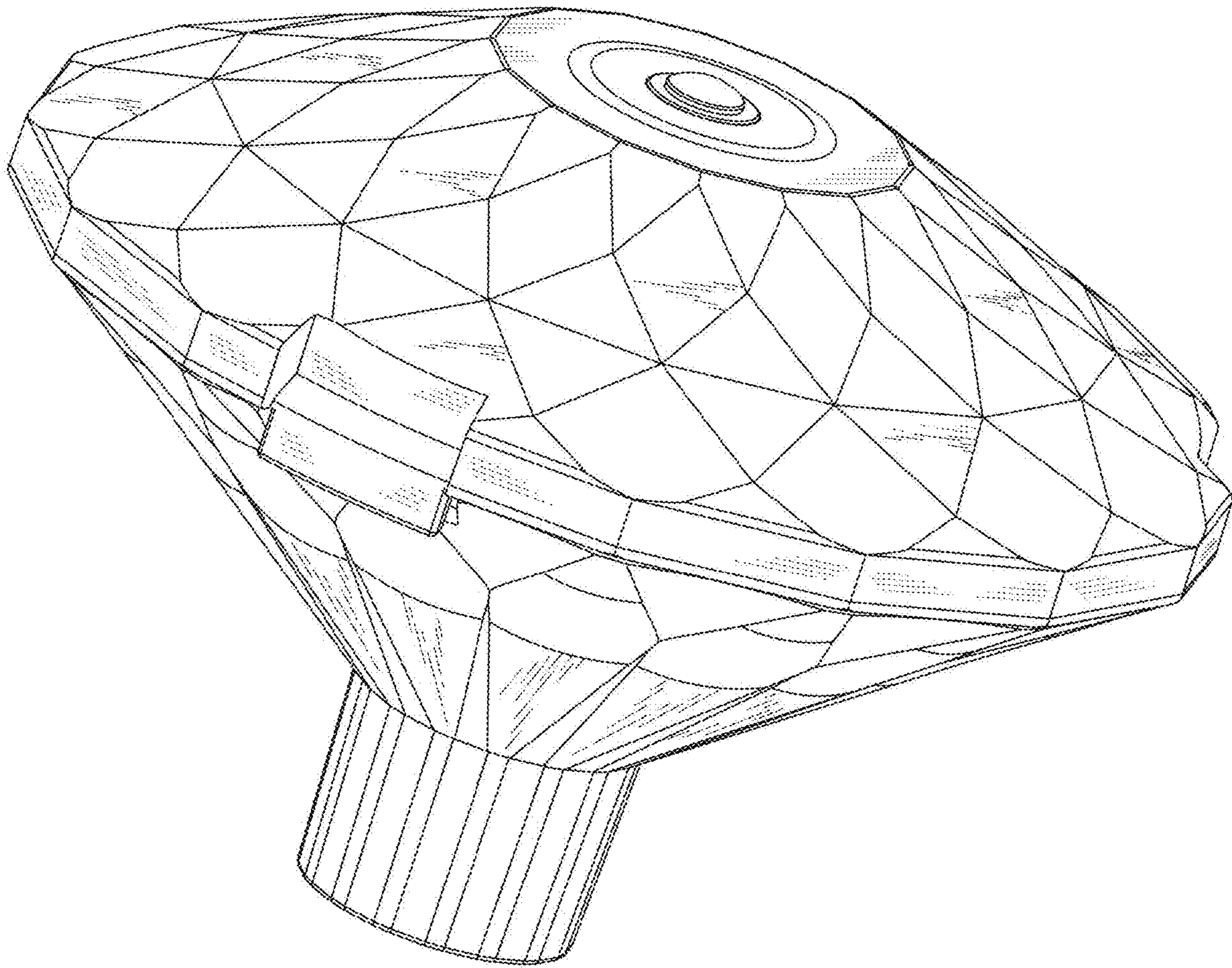


FIG.1

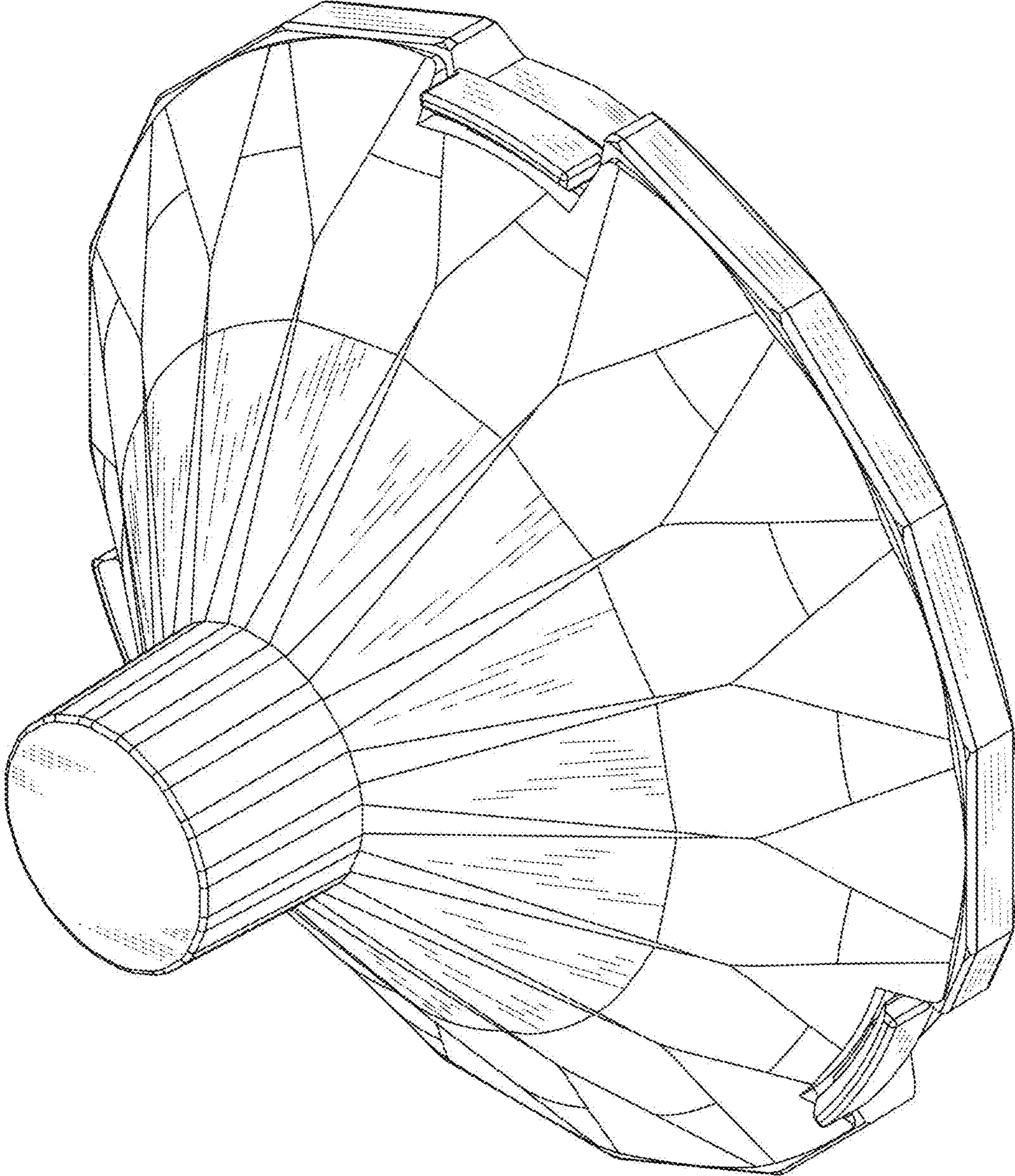


FIG.2

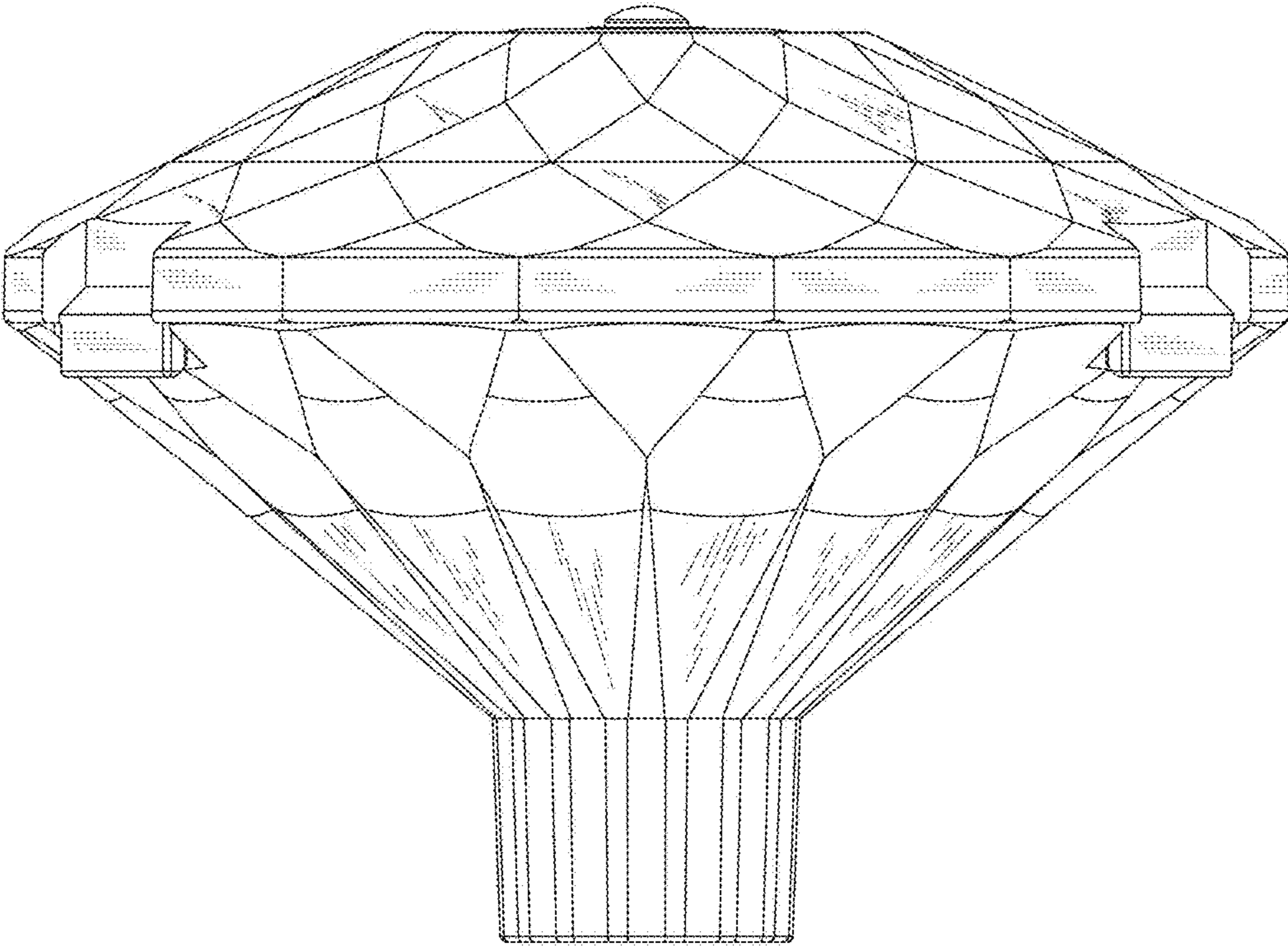


FIG.3

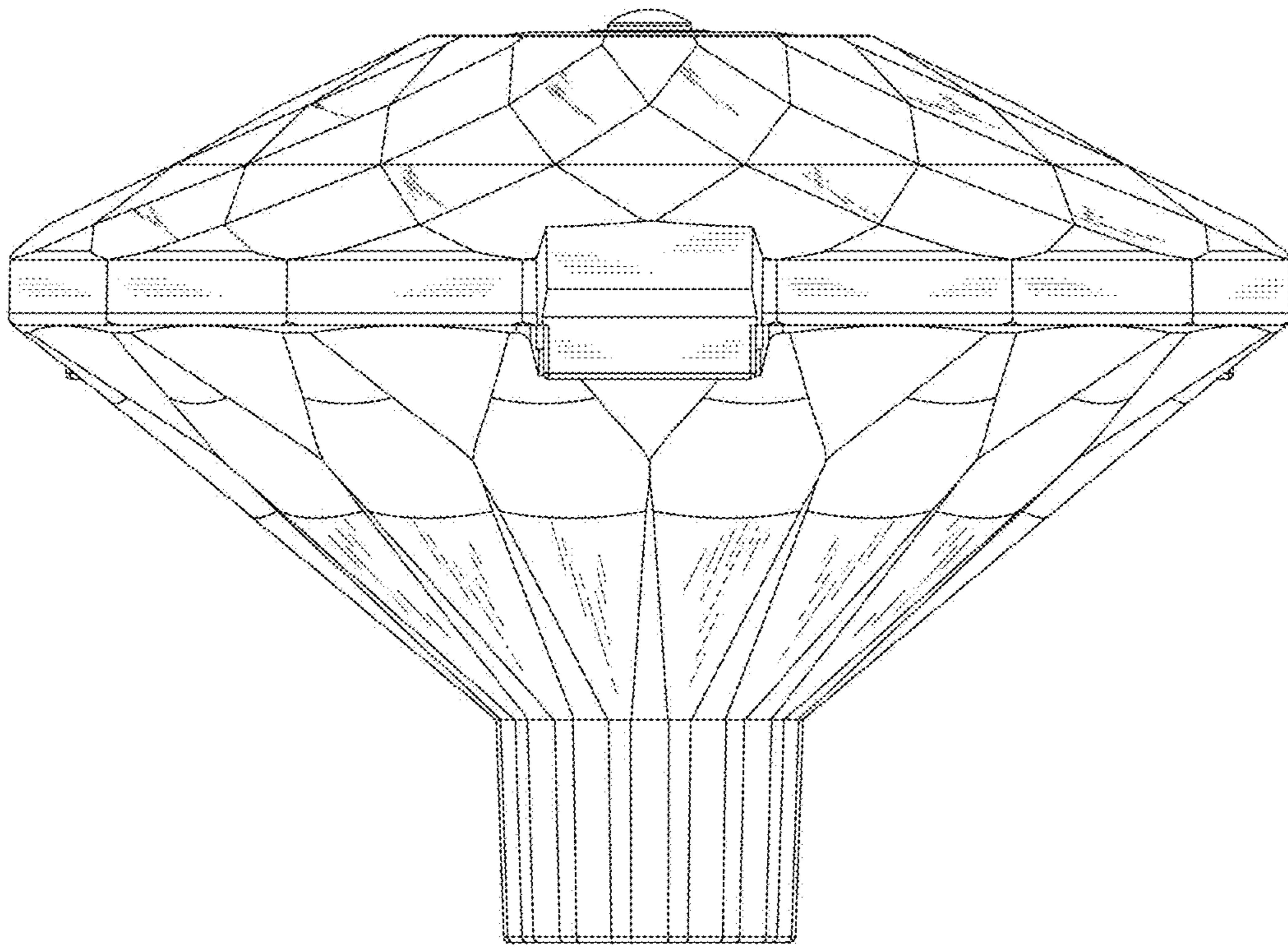


FIG.4

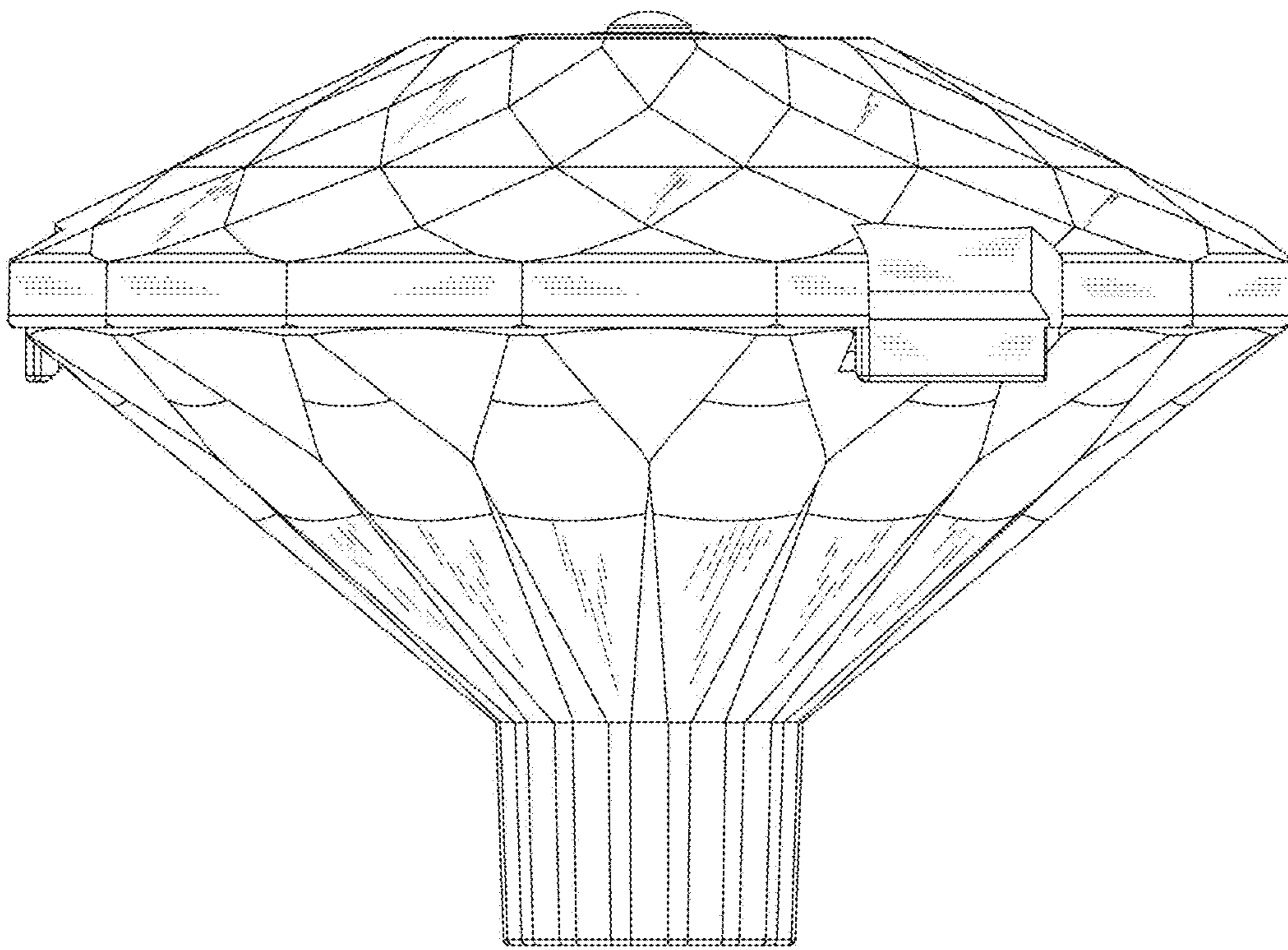


FIG. 5

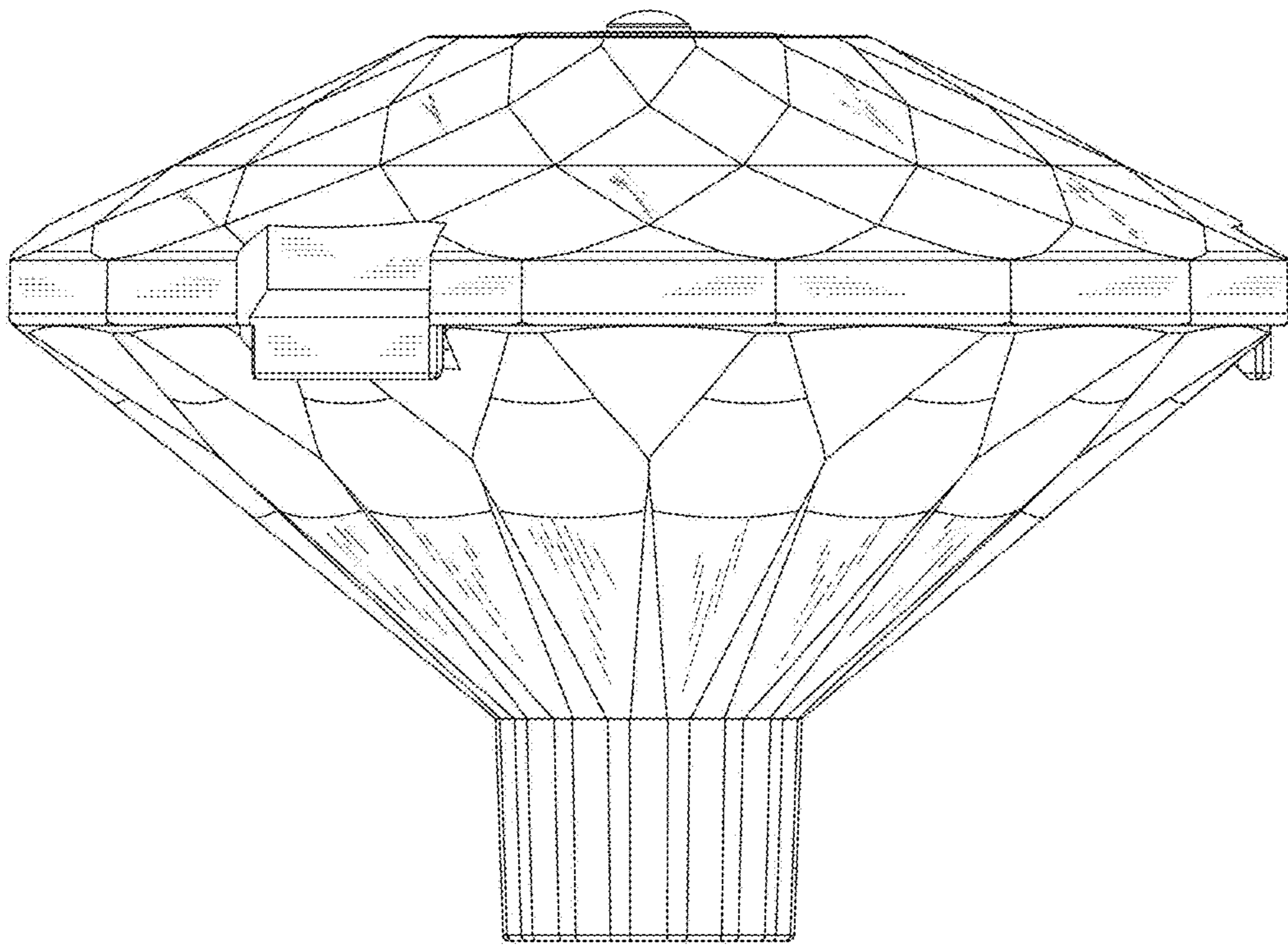


FIG.6

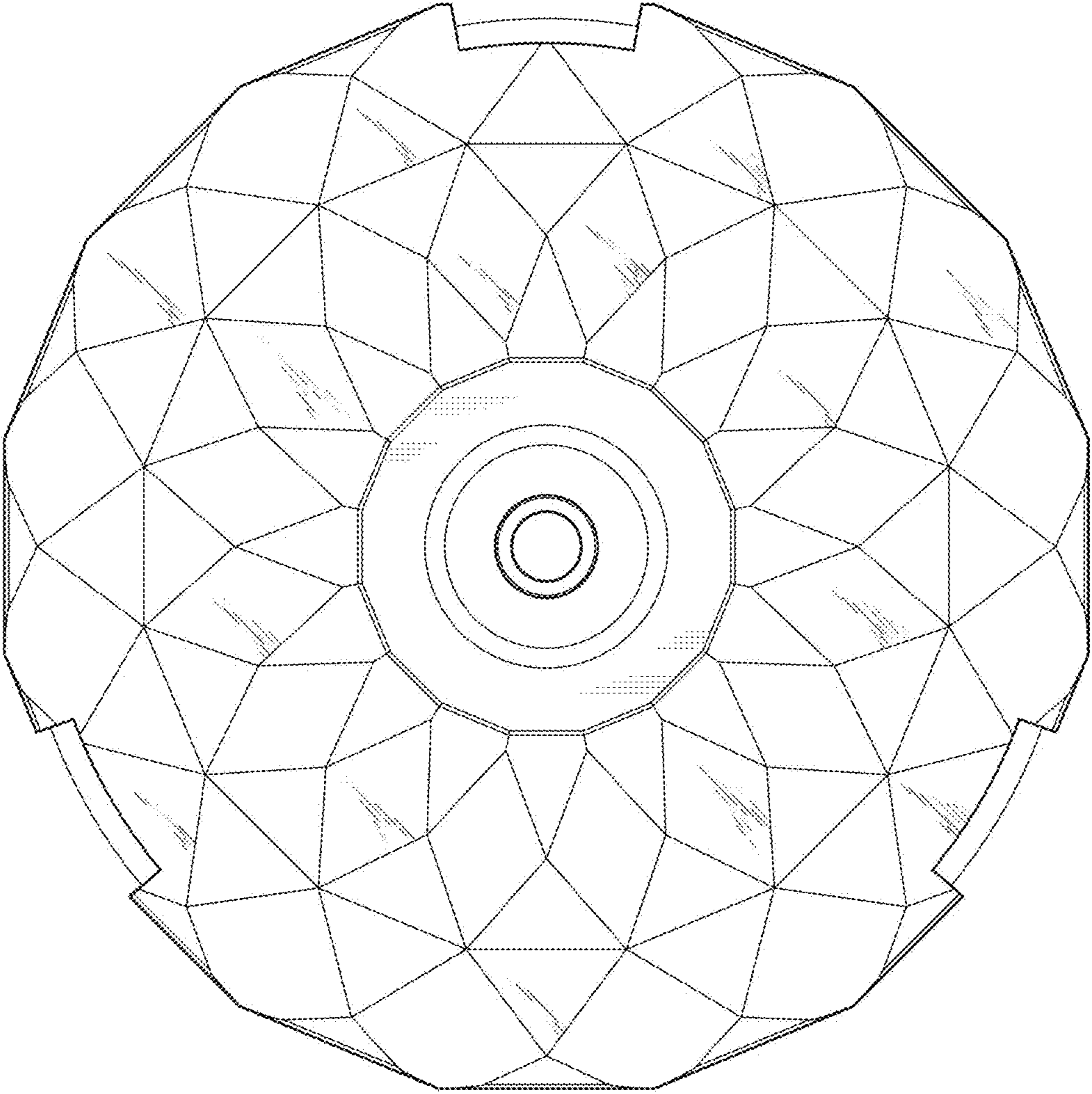


FIG.7

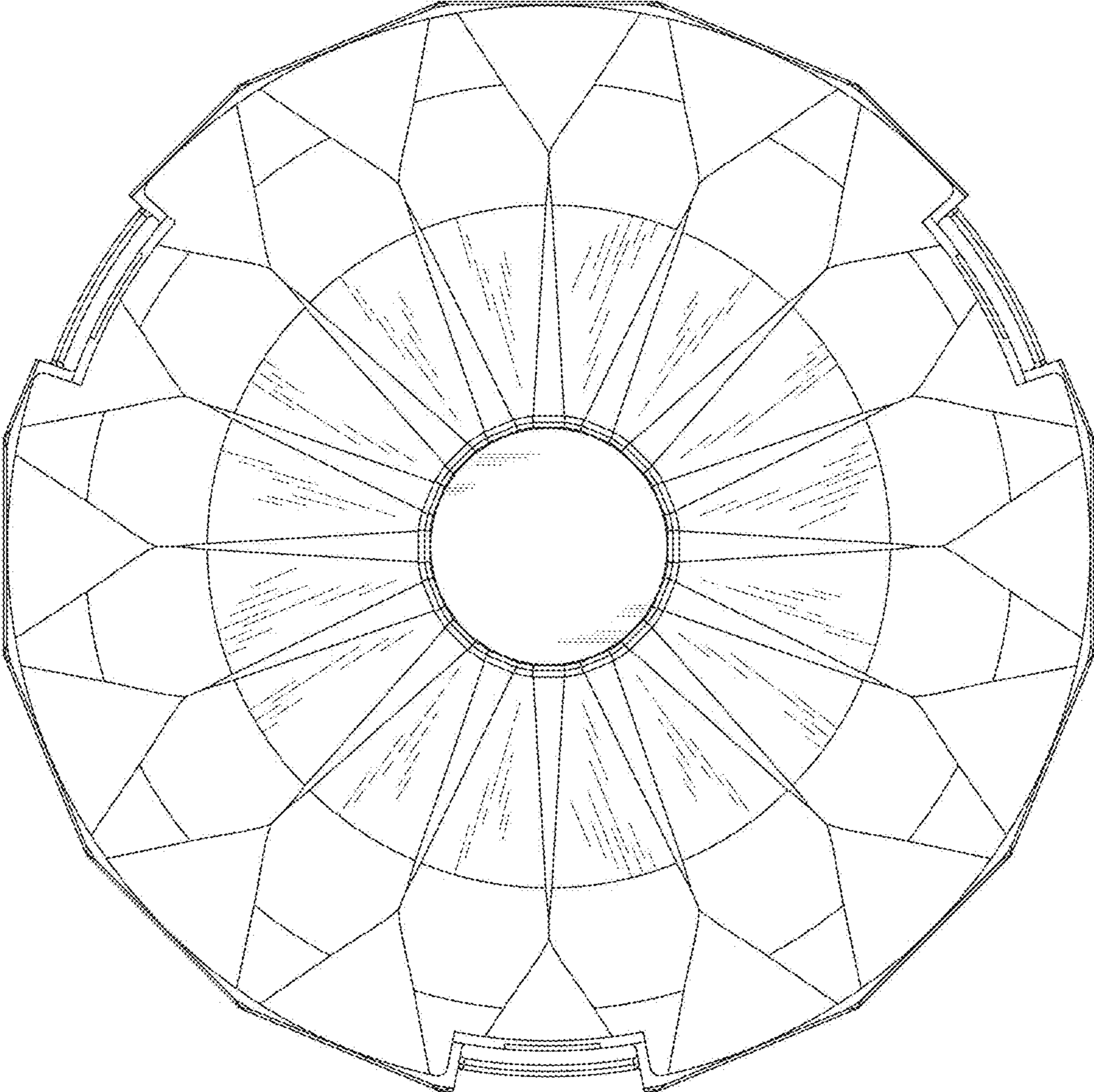


FIG. 8