



US00D884250S

(12) **United States Design Patent**
Rao

(10) **Patent No.:** **US D884,250 S**

(45) **Date of Patent:** **** May 12, 2020**

(54) **SOLAR LAMP**

D864,460 S * 10/2019 Hu D26/85
D866,043 S * 11/2019 Hu D26/85
D866,842 S * 11/2019 Wang D26/85

(71) Applicant: **Liangyong Chen**, Xucheng (CN)

(72) Inventor: **Jianping Rao**, Fuzhou (CN)

(73) Assignee: **Liangyong Chen**, Xucheng (CN)

(**) Term: **15 Years**

(21) Appl. No.: **29/669,344**

(22) Filed: **Nov. 7, 2018**

(51) **LOC (12) Cl.** **26-03**

(52) **U.S. Cl.**

USPC **D26/85**

(58) **Field of Classification Search**

USPC D26/72, 80, 85; D10/106.6, 106.8
CPC F21S 8/03; F21S 8/033; F21S 8/036; F21S
8/037; F21S 9/022; F21S 9/024; F21S
9/03; F21S 9/035; F21S 9/037; F21W
2131/107; G08B 13/193

See application file for complete search history.

(56) **References Cited**

U.S. PATENT DOCUMENTS

4,015,163 A * 3/1977 Iacobelli F21S 8/033
312/238
D394,124 S * 5/1998 Mackert D10/104.1
D822,874 S * 7/2018 Hu D26/85
D835,830 S * 12/2018 Liu D26/85
D841,865 S * 2/2019 Deng D26/85
D844,213 S * 3/2019 Liu D26/85
D849,988 S * 5/2019 Li D26/85
D861,224 S * 9/2019 Hu D26/85
D861,226 S * 9/2019 Liu D26/85

OTHER PUBLICATIONS

100 LED Solar Powered 600lm PIR Motion Sensor Wall Light sold at gearbest.com as early as Nov. 12, 2019. (Year: 2019).*

Solar Lights Outdoor 150 LEDs by Ekrist, sold at amazon.com Aug. 28, 2019. (Year: 2019).*

Solar Lights Outdoor, IP67 Waterproof Solar Powered Motion Sensor Lights by Litom, sold at amazon.com Jul. 29, 2019. (Year: 2019).*

Solar Lights Outdoor, IP67 Waterproof Wireless Solar Motion Sensor Lights with 270°Wide Angle by Litom, sold at amazon.com Oct. 31, 2018. (Year: 2018).*

* cited by examiner

Primary Examiner — Clare E Heflin

(74) *Attorney, Agent, or Firm* — JiangIP LLC; Yanling Jiang

(57) **CLAIM**

The ornamental design for solar lamp, as shown and described.

DESCRIPTION

FIG. 1 is a back, right perspective view of the solar lamp showing my new design;

FIG. 2 is a front right perspective view thereof;

FIG. 3 is a rear elevation view thereof;

FIG. 4 is a front elevation view thereof;

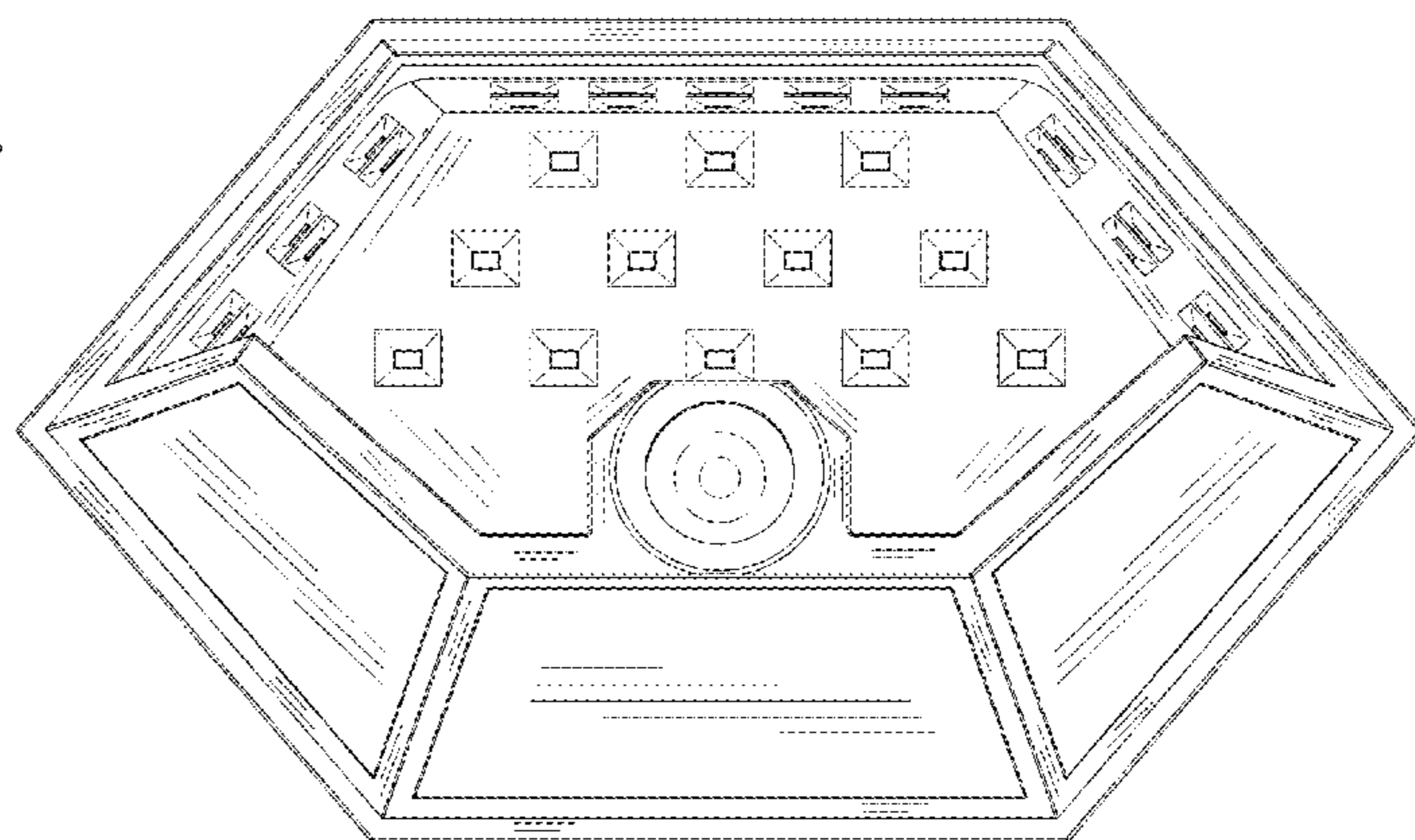
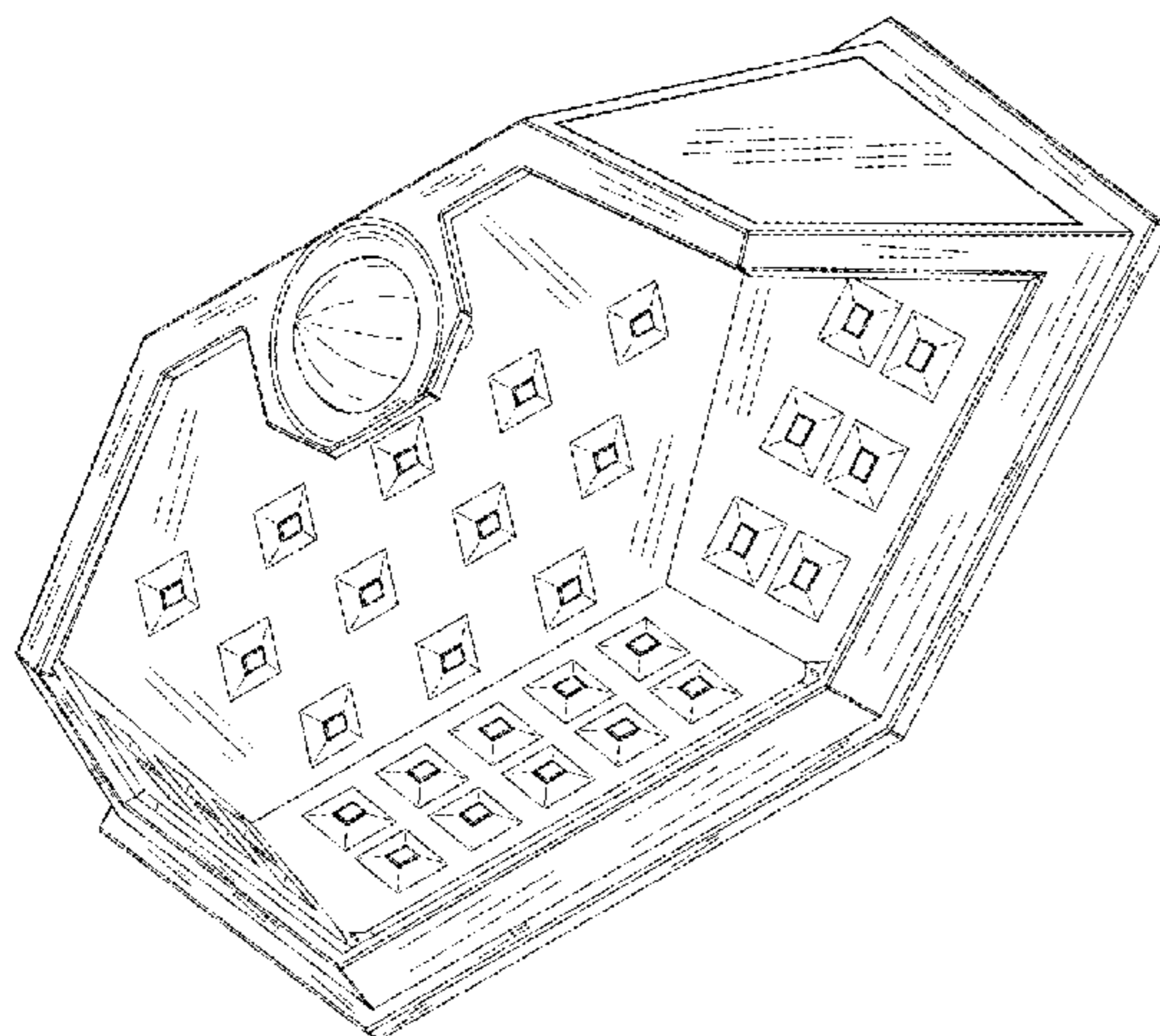
FIG. 5 is a left side view thereof;

FIG. 6 is a right side view thereof;

FIG. 7 is a bottom plan view thereof; and,

FIG. 8 is a top plan view thereof.

1 Claim, 8 Drawing Sheets



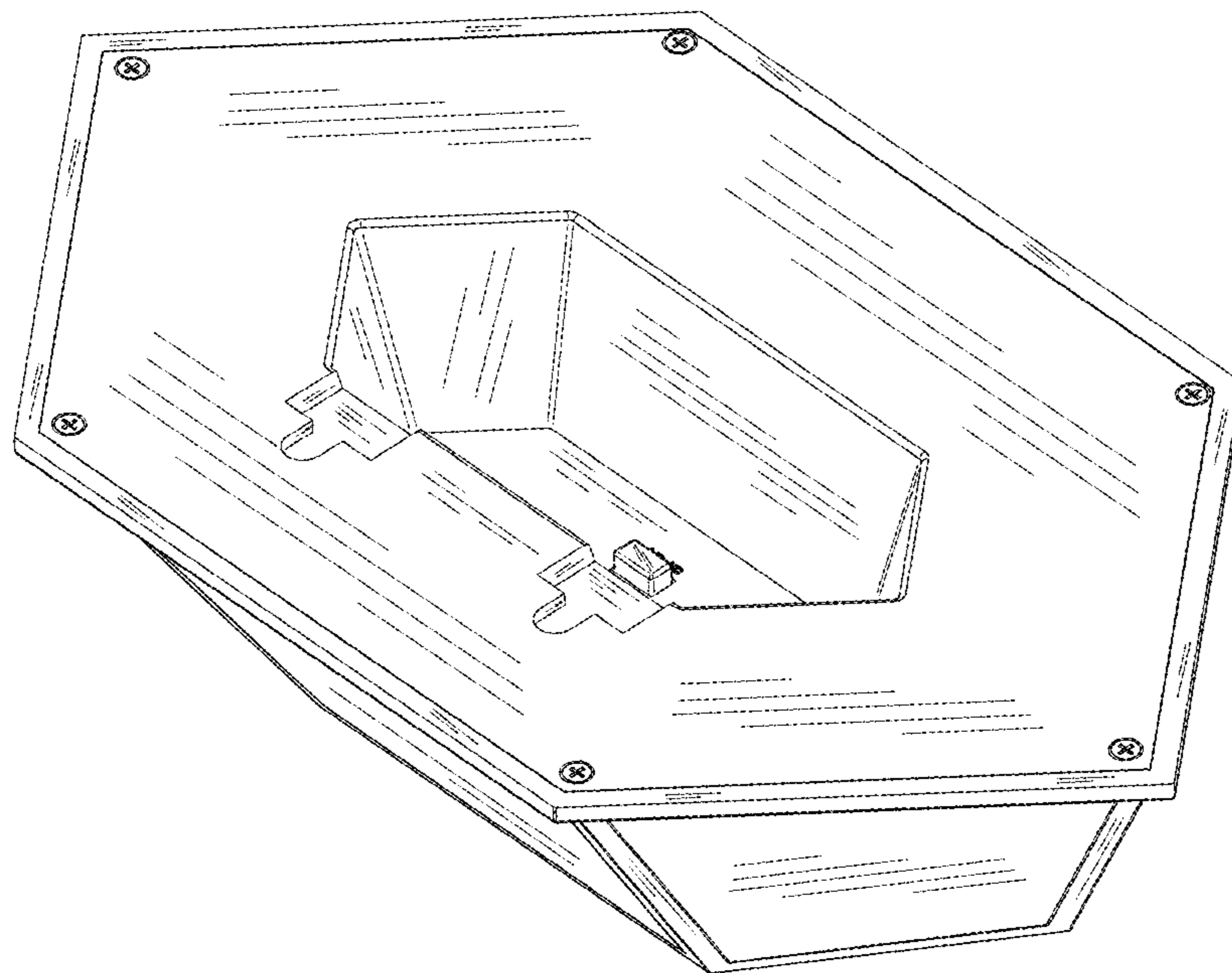


FIG. 1

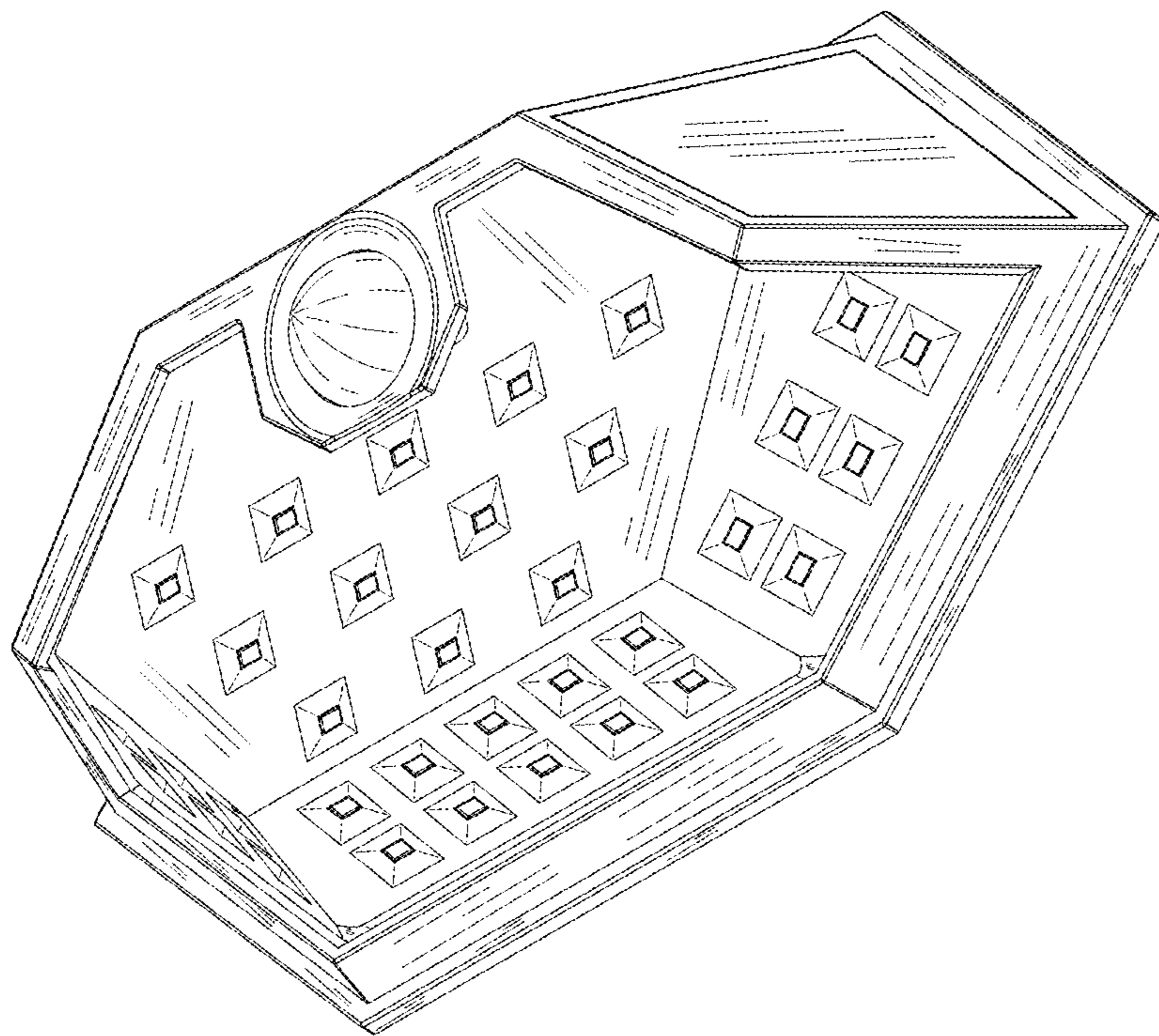


FIG. 2

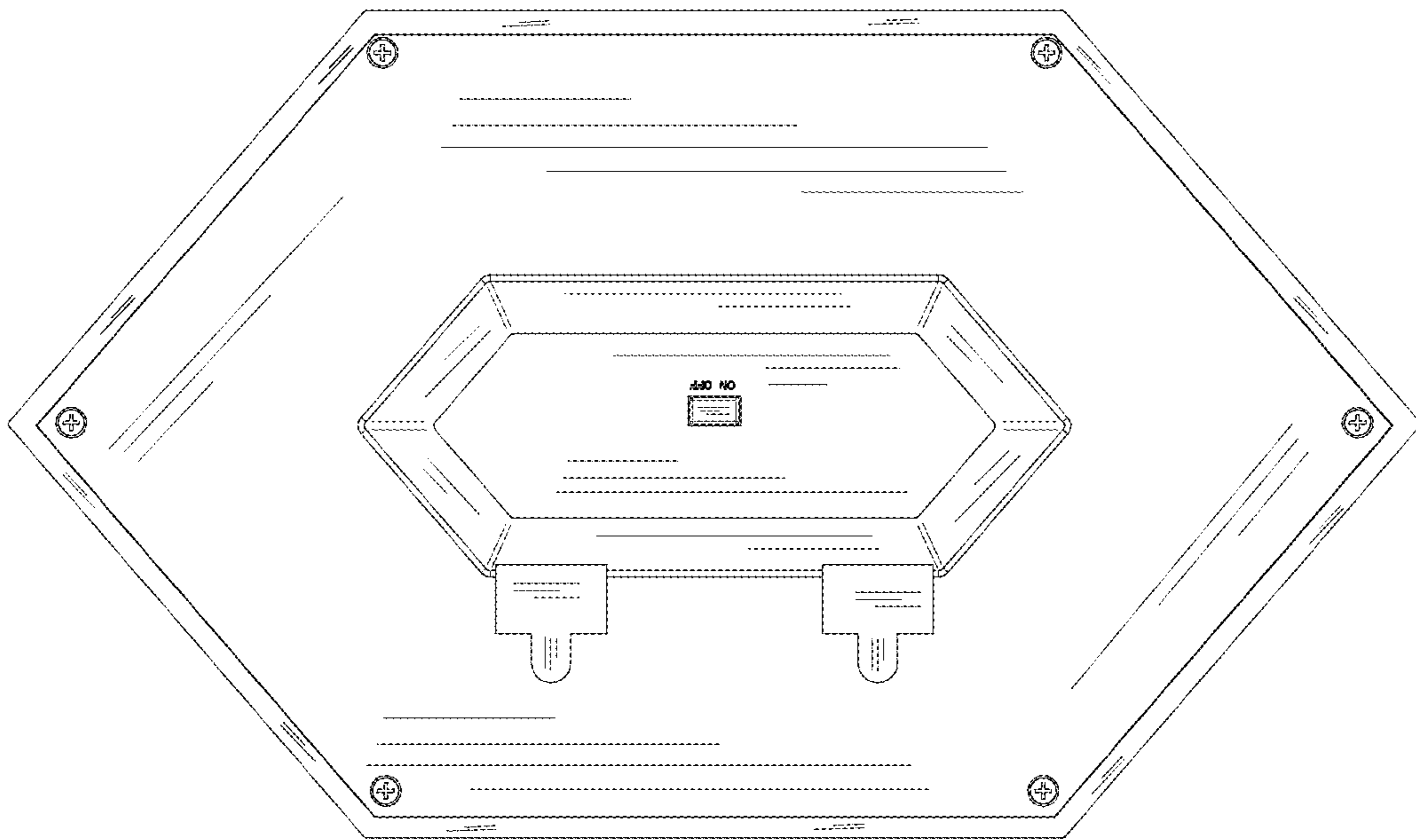


FIG. 3

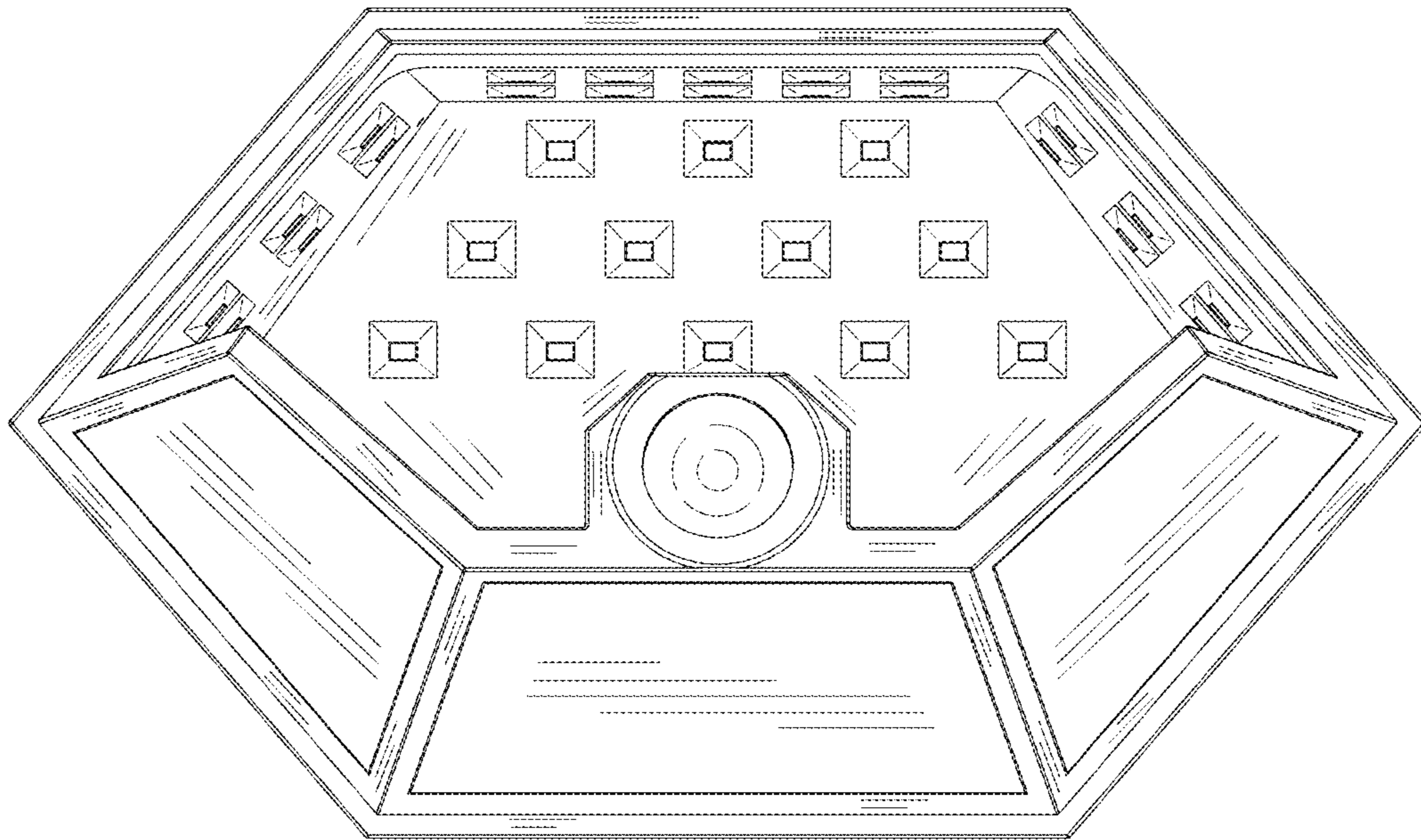


FIG. 4

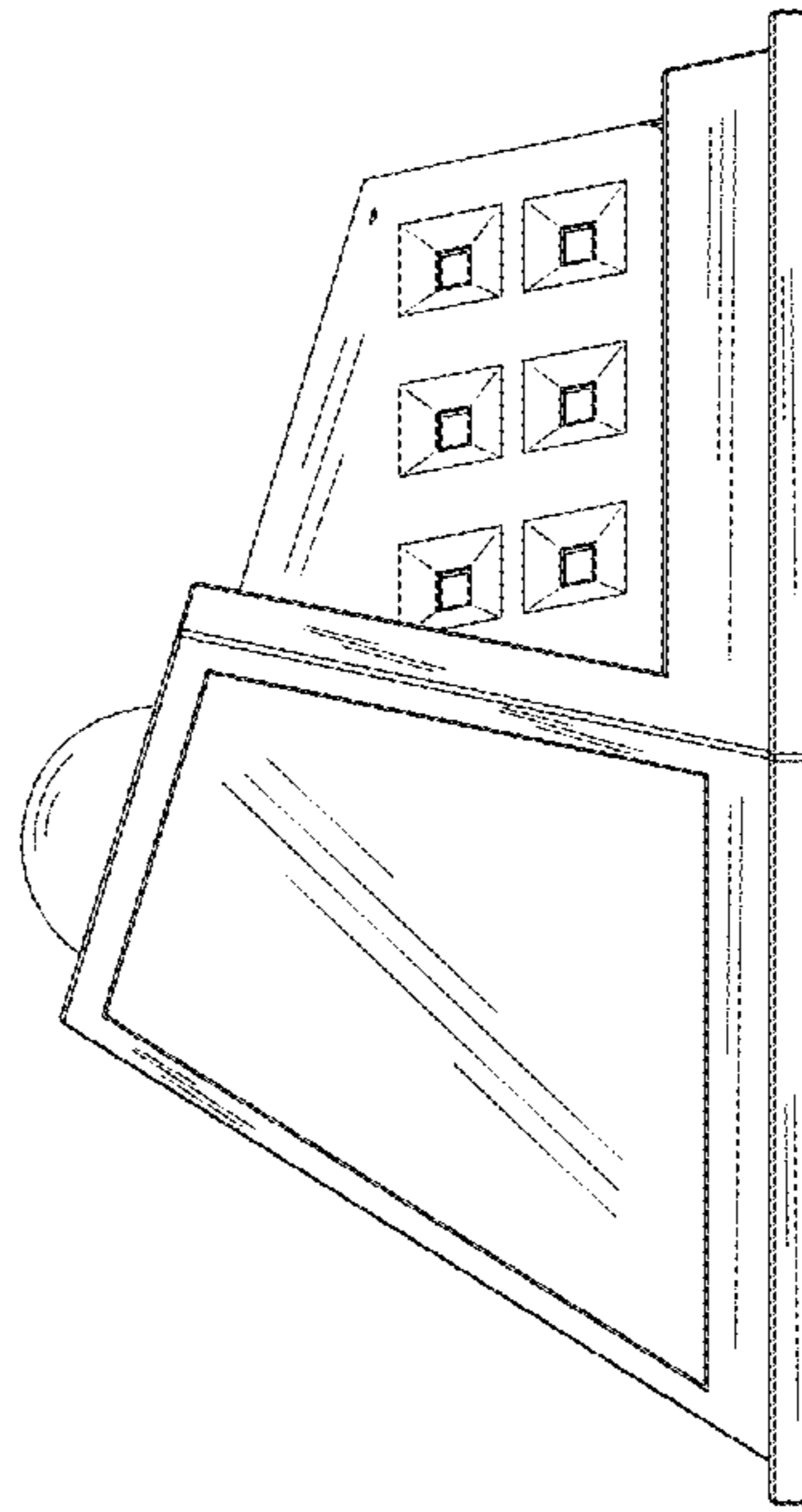


FIG. 5

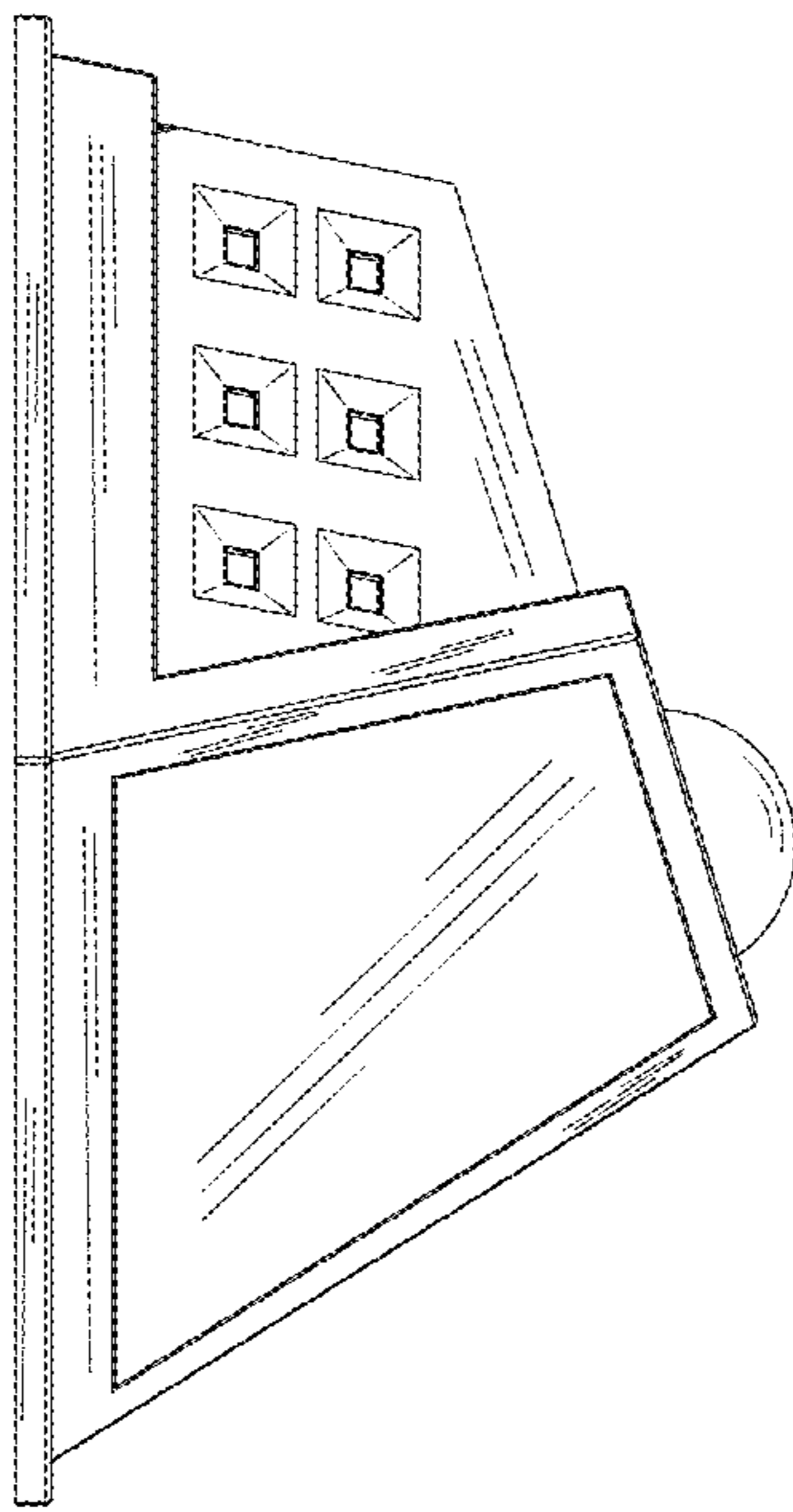


FIG. 6

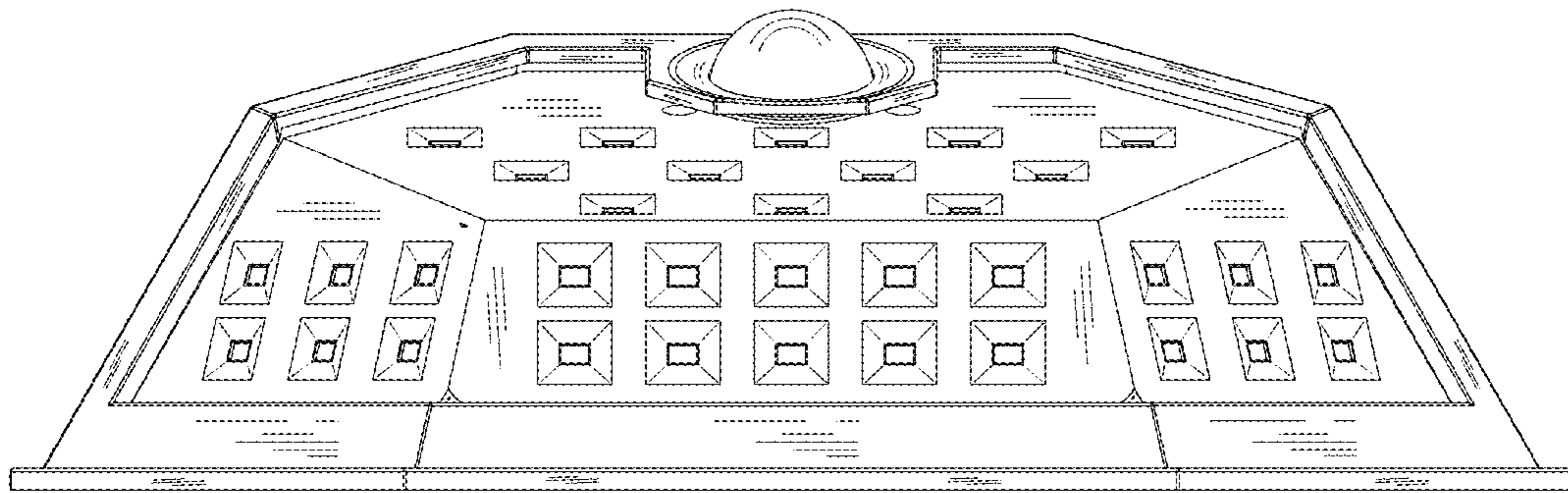


FIG. 7

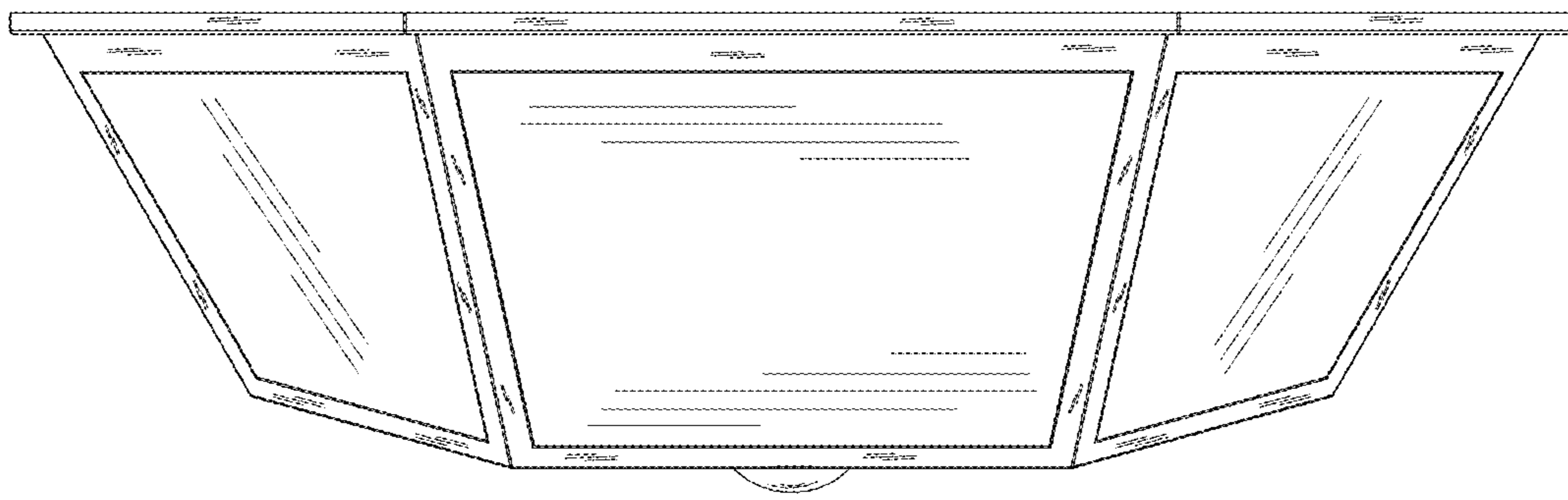


FIG. 8