



US00D884249S

(12) **United States Design Patent** (10) **Patent No.:** **US D884,249 S**
Mei (45) **Date of Patent:** **** May 12, 2020**

(54) **DOWN LIGHT**

(71) Applicant: **Zhiguo Mei**, Shenzhen (CN)

(72) Inventor: **Zhiguo Mei**, Shenzhen (CN)

(**) Term: **15 Years**

(21) Appl. No.: **29/640,253**

(22) Filed: **Mar. 13, 2018**

(30) **Foreign Application Priority Data**

Sep. 14, 2017 (CN) 2017 3 0436350

(51) **LOC (12) Cl.** **26-05**

(52) **U.S. Cl.**
USPC **D26/74**

(58) **Field of Classification Search**
USPC D26/74, 72, 75, 76, 77, 78, 85, 88, 89,
D26/118, 138, 141; 362/364, 365, 373,
362/145, 146, 147, 148, 150, 153, 153.1,
362/294, 296.01, 296, 296.08
CPC F21V 29/2262; F21V 7/06; F21V 21/044;
F21V 21/047; F21V 29/2212; F21V
29/2225; F21V 29/2256; F21V 29/225;
F21V 29/2268; F21Y 2111/002; F21S
8/02; F21S 8/026
See application file for complete search history.

(56) **References Cited**

U.S. PATENT DOCUMENTS

D399,590 S * 10/1998 Lecluze D26/118
D595,452 S * 6/2009 Khang F21S 8/026
D26/138

D640,819 S * 6/2011 Pan D26/74
D640,820 S * 6/2011 Hopper D26/74
D683,882 S * 6/2013 Rashidi D26/74
D734,526 S * 7/2015 Gordin D26/74
D773,097 S * 11/2016 Zhao D26/74
D779,100 S * 2/2017 Redfern D26/74
D820,494 S * 6/2018 Cohen D26/74
D827,902 S * 9/2018 McGrayne D26/74
D835,828 S * 12/2018 McGrayne D26/74
2014/0160772 A1 * 6/2014 Wu F21S 8/026
362/373

* cited by examiner

Primary Examiner — Angela J Lee

(74) *Attorney, Agent, or Firm* — Hauptman Ham, LLP

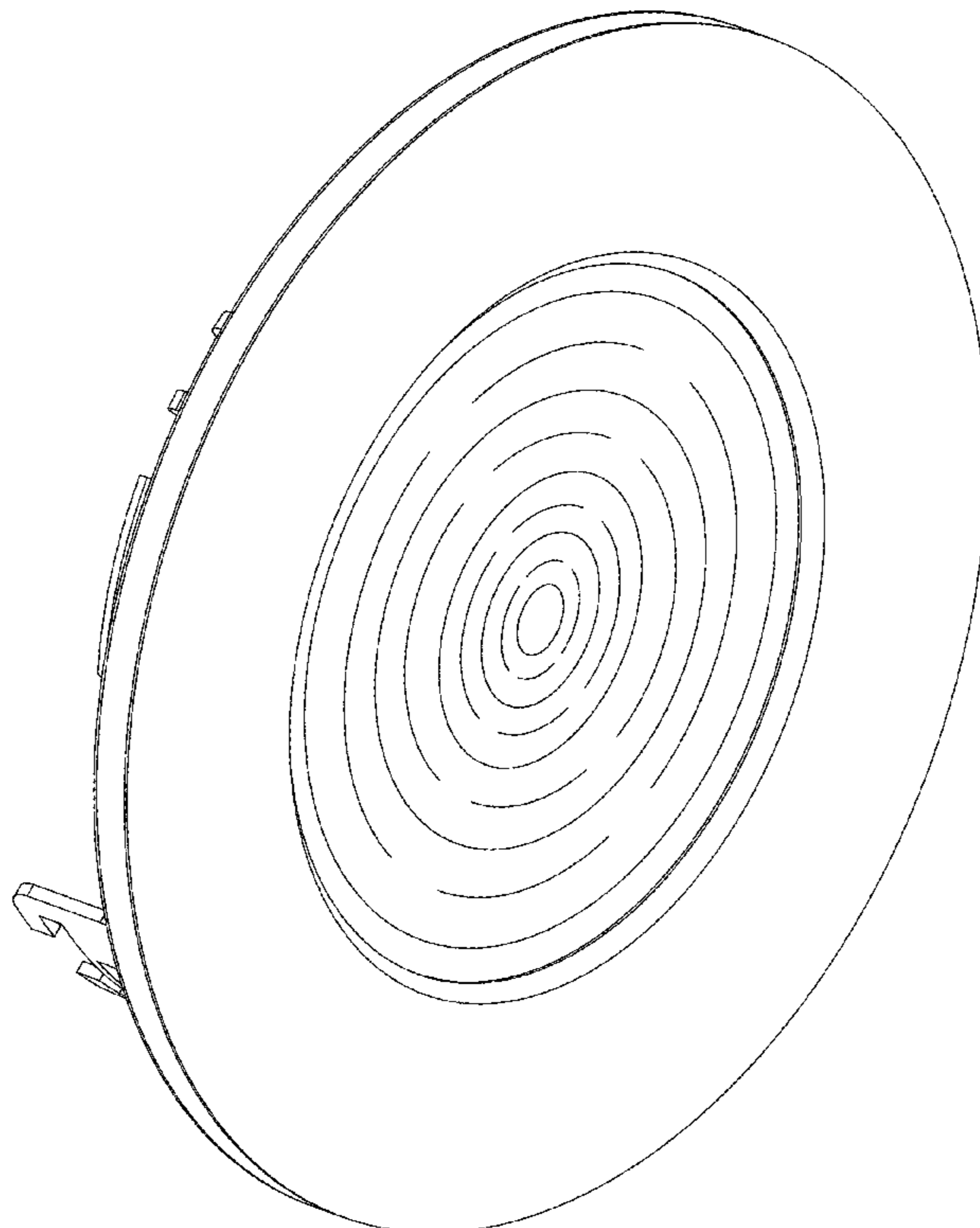
(57) **CLAIM**

The ornamental design for a down light, as shown and described.

DESCRIPTION

FIG. 1 is a front elevation view of the down light;
FIG. 2 is a rear elevation view thereof;
FIG. 3 is a top plan view thereof;
FIG. 4 is a bottom plan view thereof;
FIG. 5 is a right elevation view thereof;
FIG. 6 is a left elevation view thereof;
FIG. 7 is a right-front perspective view thereof;
FIG. 8 is a left-front perspective view thereof; and,
FIG. 9 is a side perspective view thereof.
The broken lines illustrate portions of the down light and form no part of the claimed design.

1 Claim, 9 Drawing Sheets



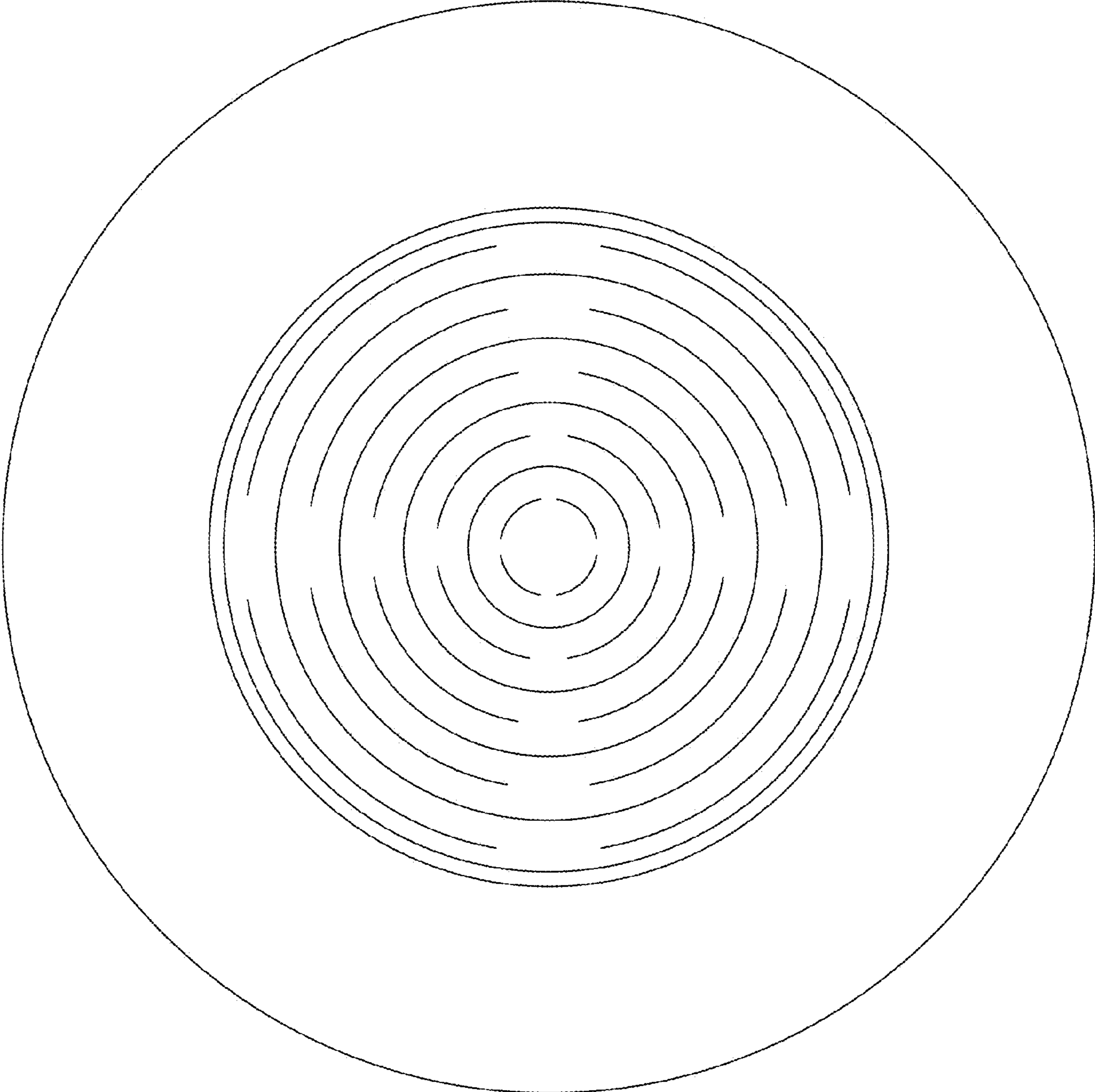


FIG. 1

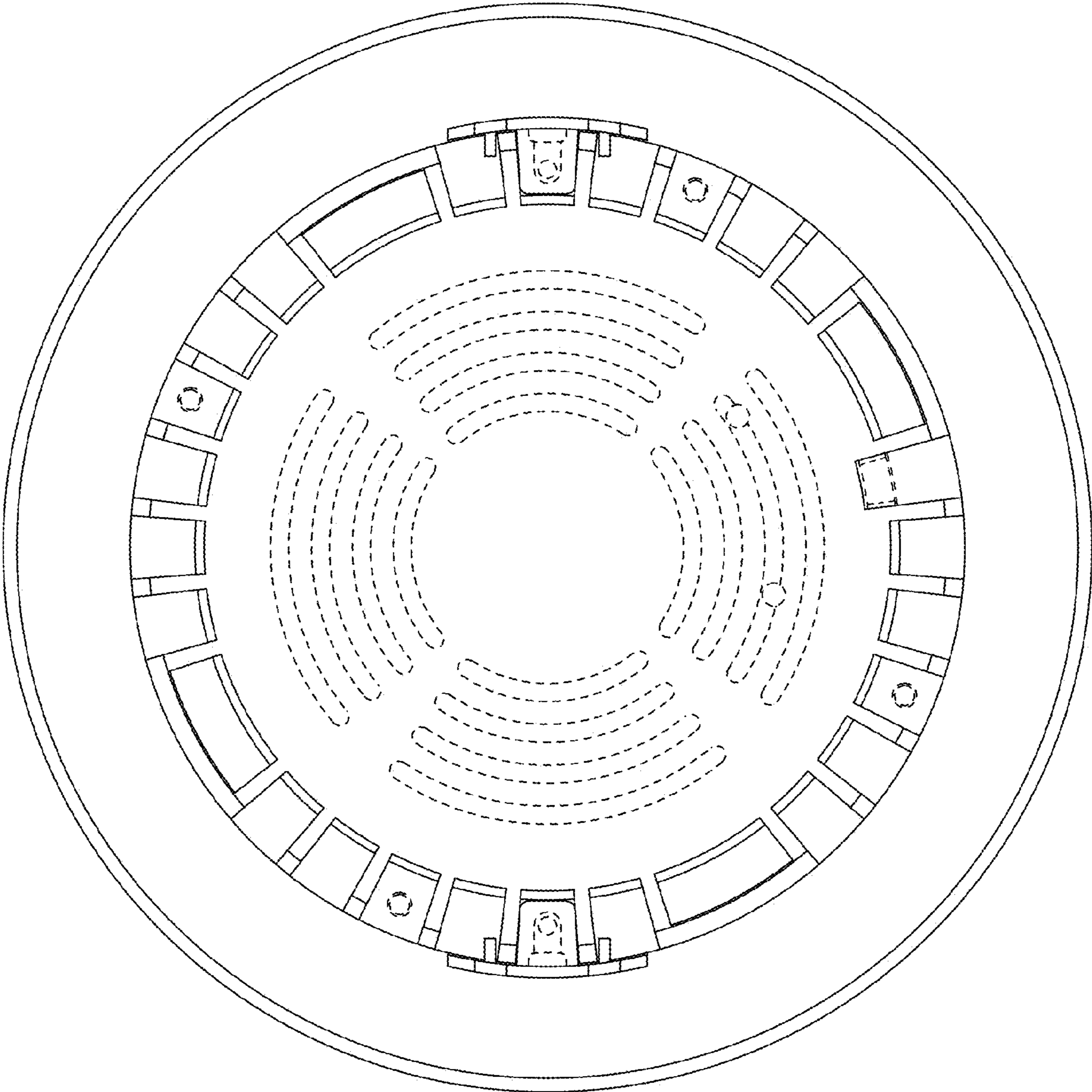


FIG. 2

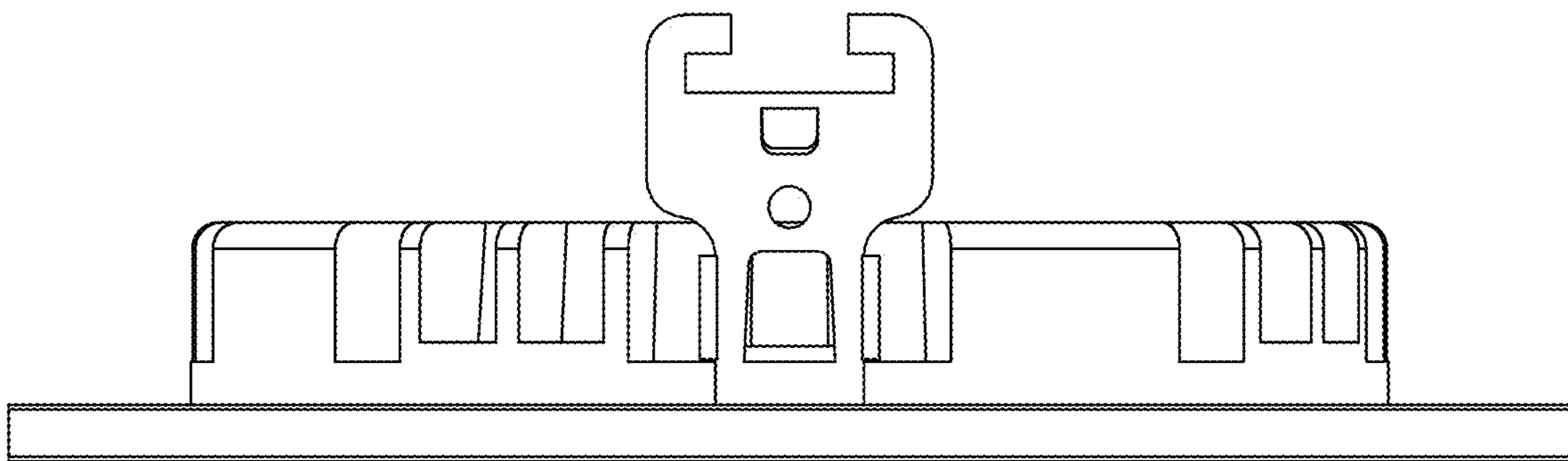


FIG. 3

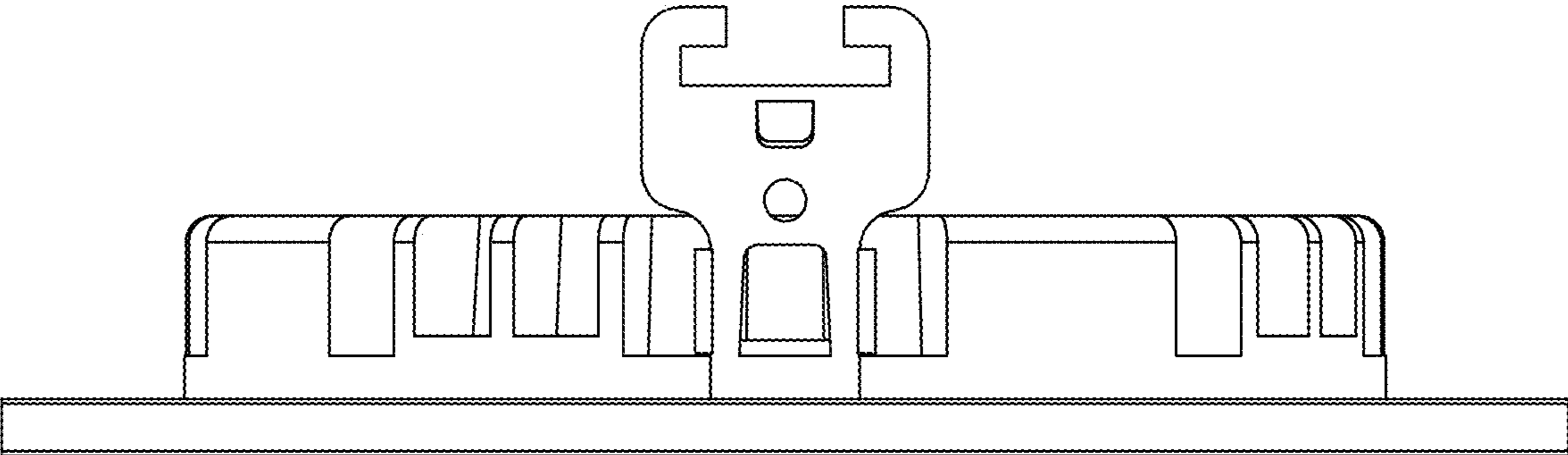


FIG. 4

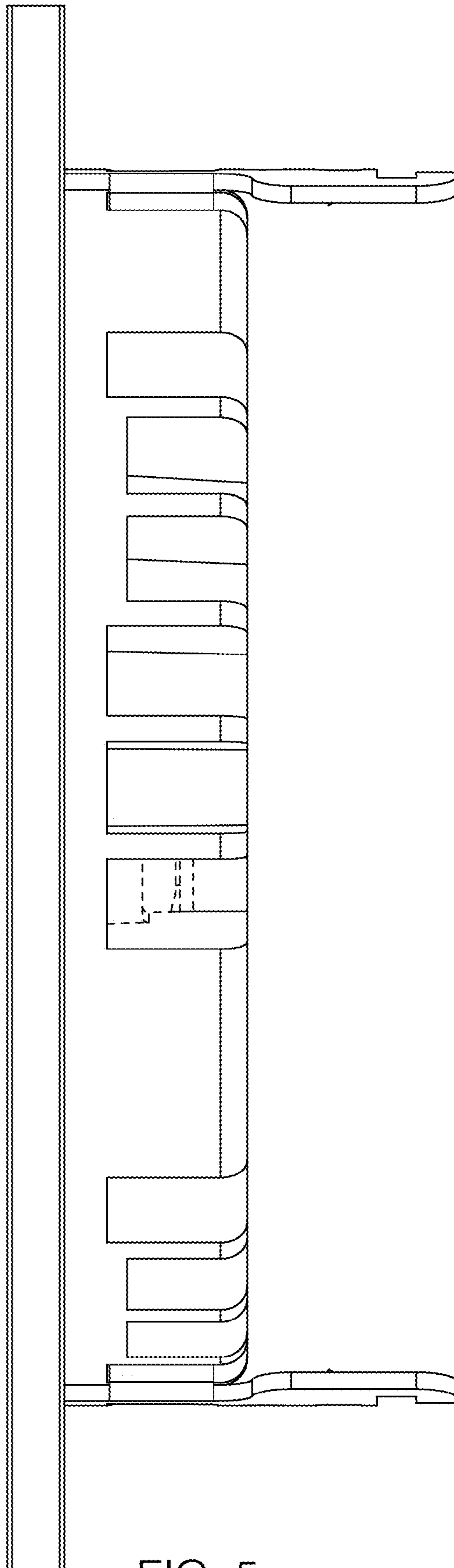


FIG. 5

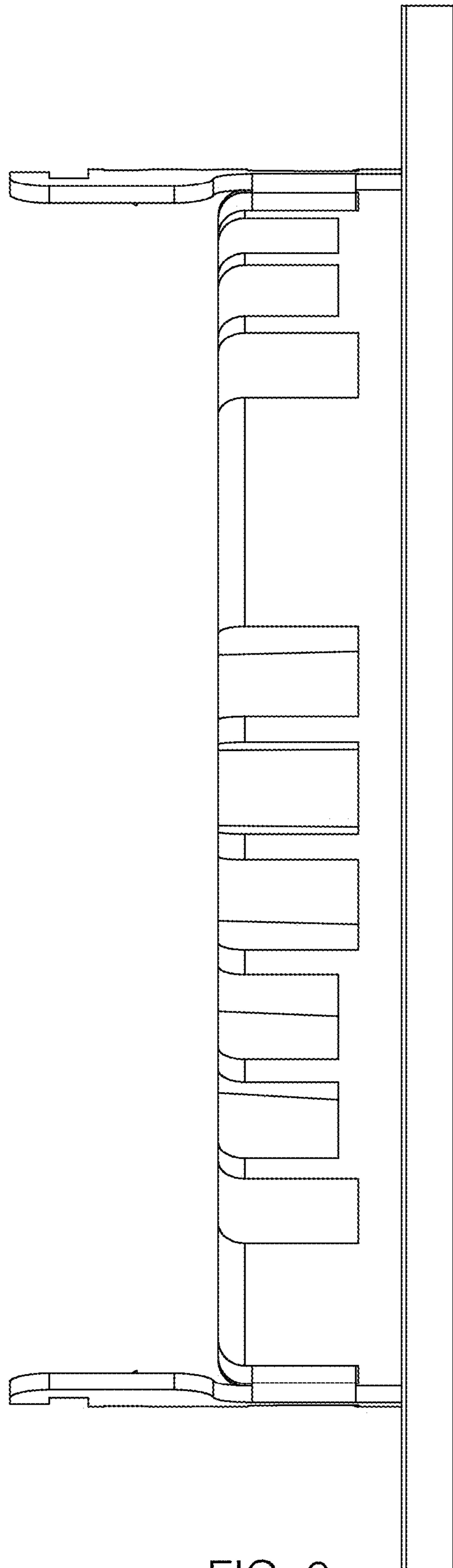


FIG. 6

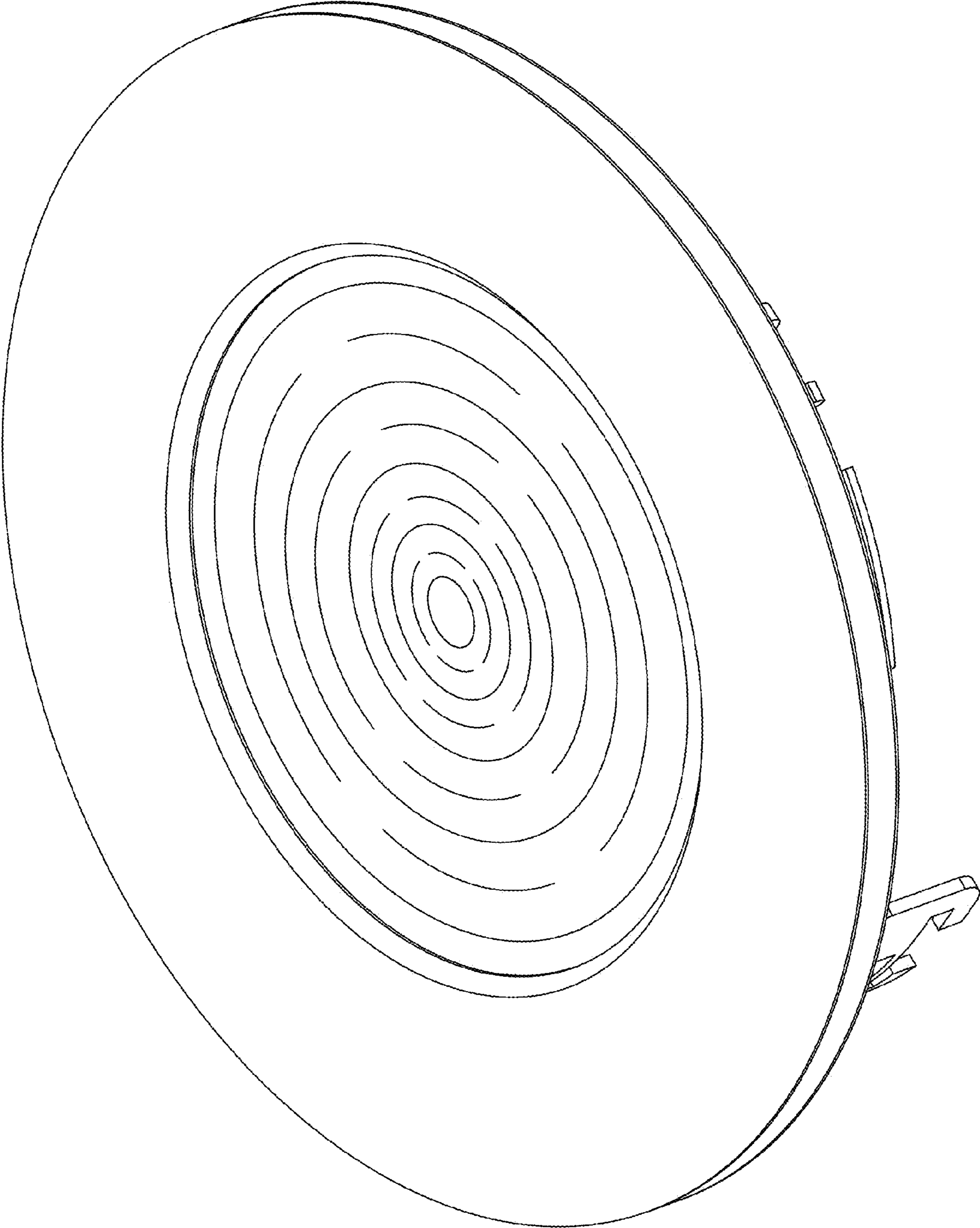


FIG. 7

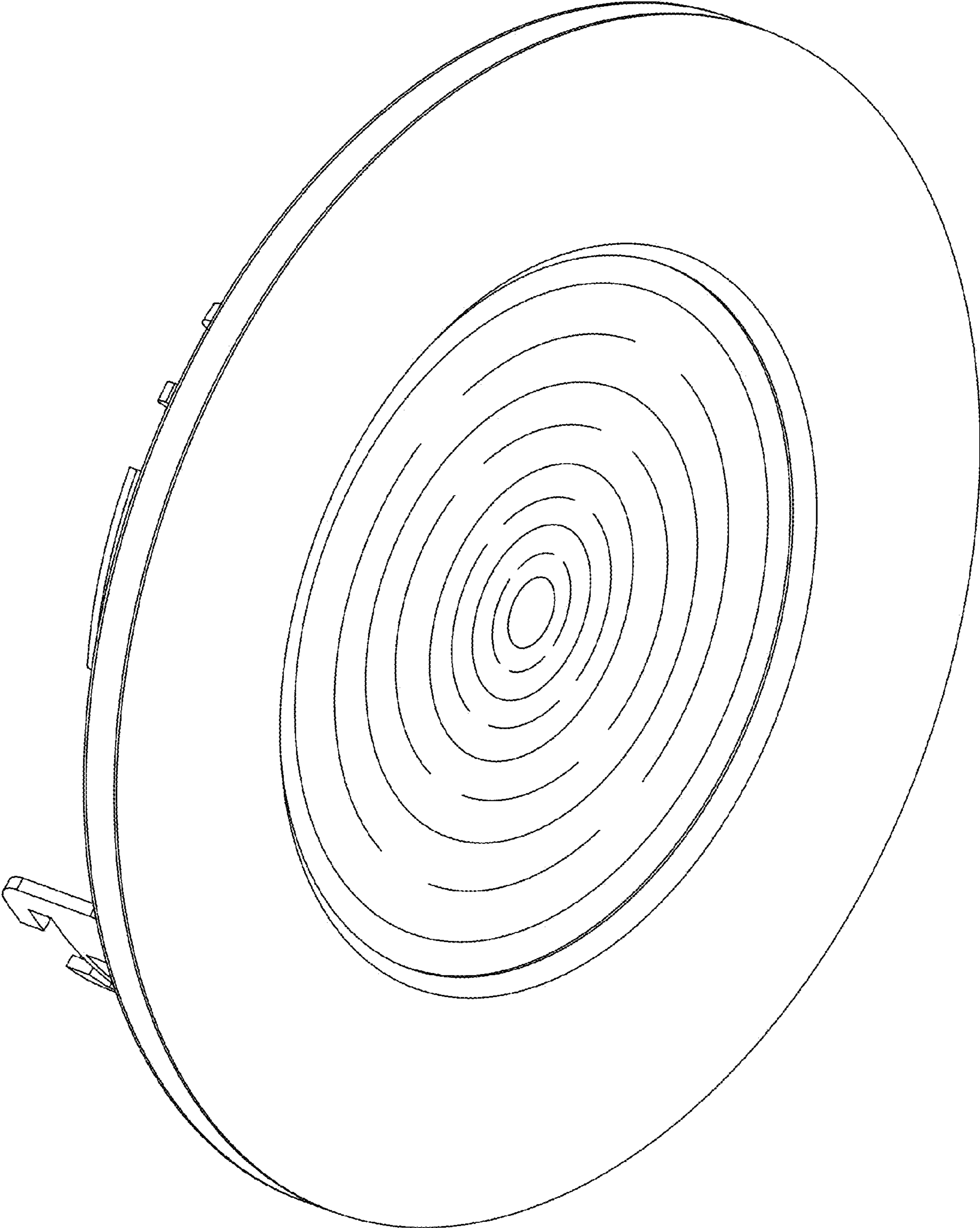


FIG. 8

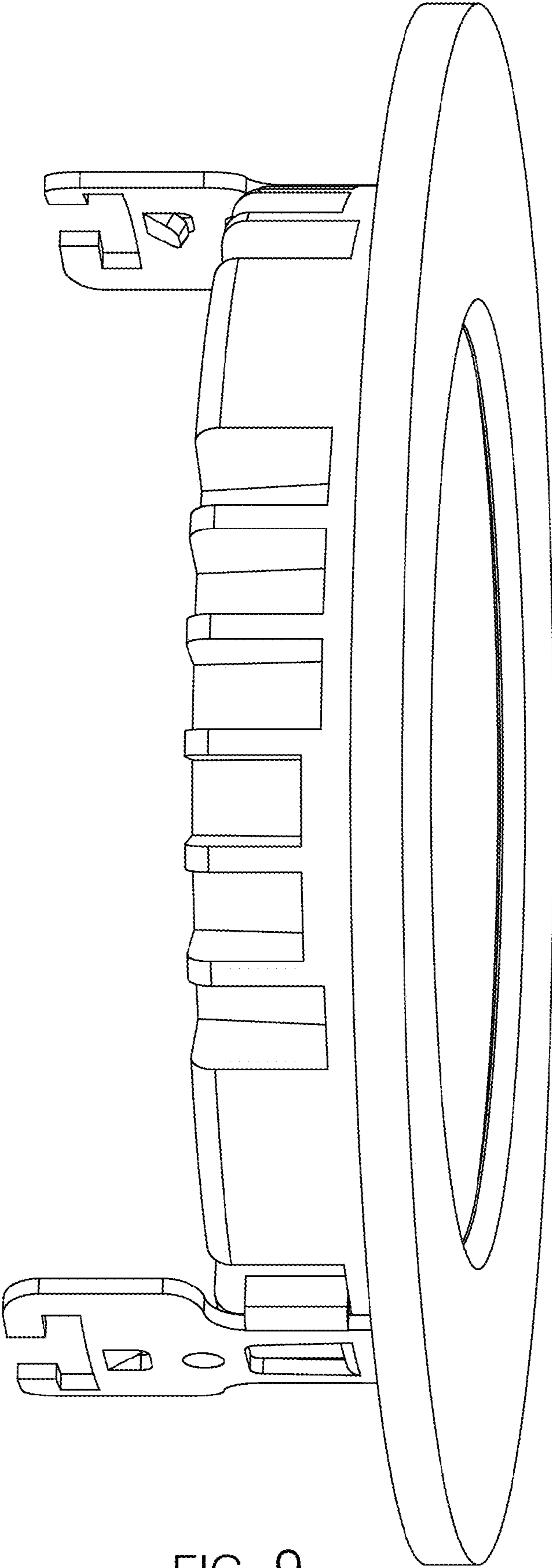


FIG. 9