



US00D884248S

(12) **United States Design Patent**  
**Zhu**

(10) **Patent No.:** **US D884,248 S**

(45) **Date of Patent:** **\*\* May 12, 2020**

(54) **SPIKE LAMP**

(71) Applicant: **YUYAO YUDA INDUSTRIAL CO., LTD.**, Yuyao, Ningbo, Zhejiang (CN)

(72) Inventor: **Liyun Zhu**, Zhejiang (CN)

(73) Assignee: **YUYAO YUDA INDUSTRIAL CO., LTD.**, Yuyao (CN)

(\*\*) Term: **15 Years**

(21) Appl. No.: **29/671,228**

(22) Filed: **Nov. 26, 2018**

(30) **Foreign Application Priority Data**

Sep. 29, 2018 (CN) ..... 2018 3 0550536

(51) **LOC (12) Cl.** ..... **26-05**

(52) **U.S. Cl.**  
USPC ..... **D26/67**

(58) **Field of Classification Search**  
USPC ..... D26/67-71  
CPC .... F21S 8/08; F21S 8/081; F21S 8/083; F21S 8/088; F21S 9/03; F21S 9/037; F21V 21/0824; F21W 2111/02; F21W 2131/109  
See application file for complete search history.

(56) **References Cited**

**U.S. PATENT DOCUMENTS**

- 41,547 A \* 2/1864 Stratton ..... F21V 7/22  
362/341
- D226,327 S \* 2/1973 Anderson, Jr. .... D26/67
- D362,737 S \* 9/1995 Messina, Jr. .... D26/67
- D385,643 S \* 10/1997 Brohard ..... D26/71

- D497,023 S \* 10/2004 Burkart ..... E04H 17/20  
D26/118
- D506,565 S \* 6/2005 Yurich ..... D26/85
- D547,483 S \* 7/2007 Pickett ..... D26/59
- D574,536 S \* 8/2008 Sanoner ..... D26/67
- D626,676 S \* 11/2010 Johnson ..... D26/67
- D827,899 S \* 9/2018 Li ..... D26/67
- D869,041 S \* 12/2019 Yan ..... D26/68
- 2011/0299272 A1\* 12/2011 Ko ..... F21S 8/081  
362/183
- 2018/0231201 A1\* 8/2018 Heim ..... F21V 11/08

**OTHER PUBLICATIONS**

Rise F080 Single LED luminaire Spec Sheet ecosenselighting.com dated Nov. 5, 2019. (Year: 2019).\*

\* cited by examiner

*Primary Examiner* — Clare E Heflin

(74) *Attorney, Agent, or Firm* — Leason Ellis LLP

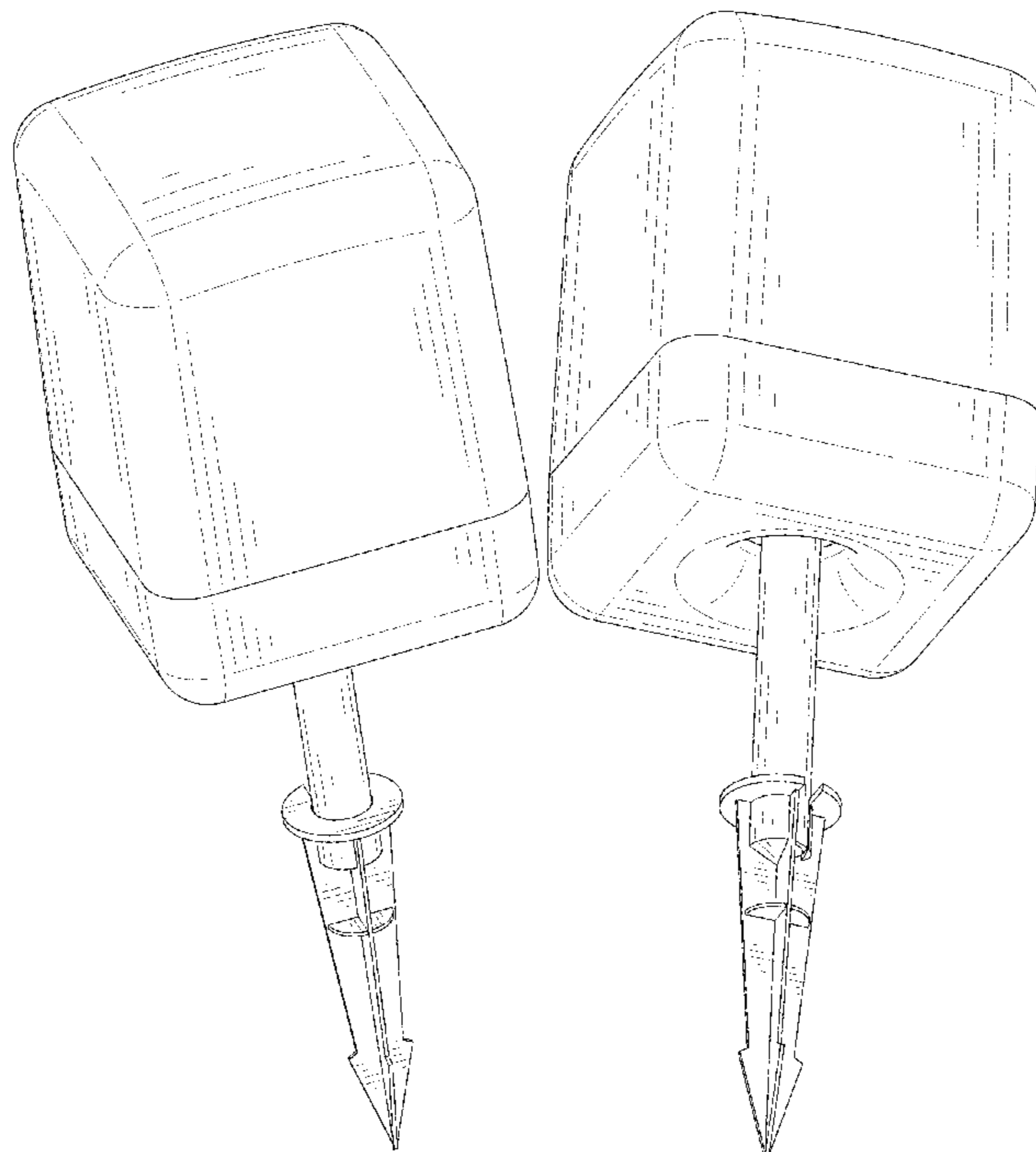
(57) **CLAIM**

The ornamental design for a spike lamp, substantially as shown and described.

**DESCRIPTION**

FIG. 1 is a front side view of a spike lamp in accordance with the present invention;  
FIG. 2 is a rear side view of the spike lamp in FIG. 1;  
FIG. 3 is a left side view thereof;  
FIG. 4 is a right side view thereof;  
FIG. 5 is a top side view thereof;  
FIG. 6 is a bottom side view thereof;  
FIG. 7 is a perspective view thereof; and,  
FIG. 8 is another perspective view thereof.

**1 Claim, 8 Drawing Sheets**



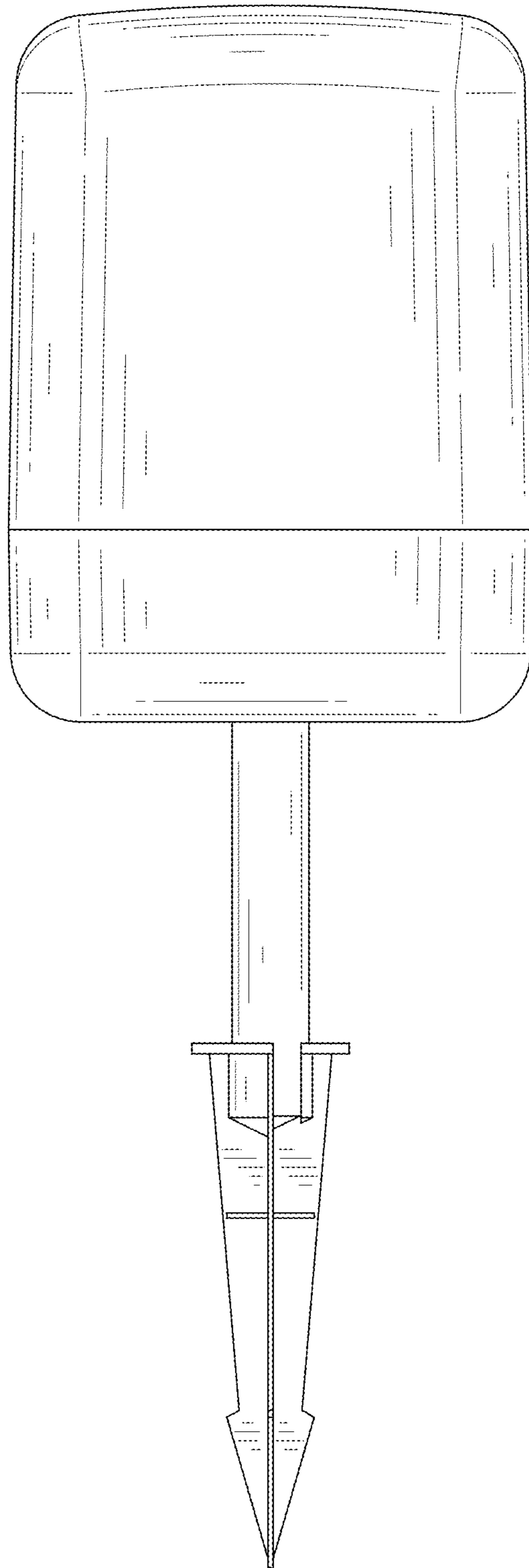


FIG. 1

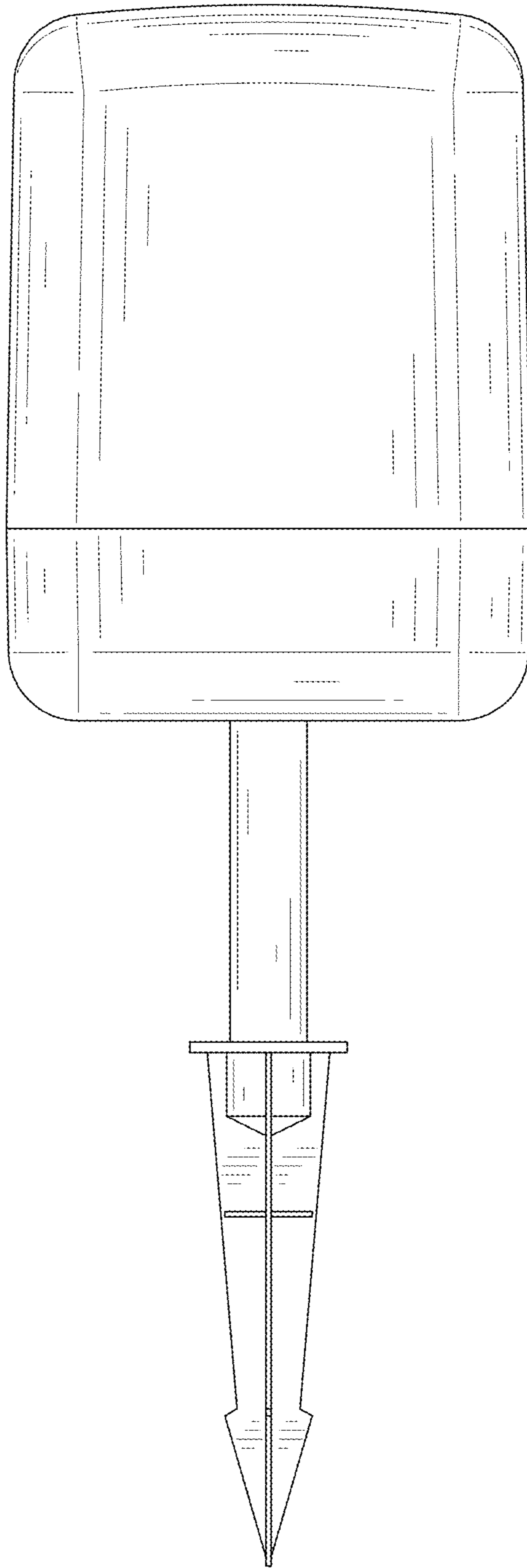


FIG. 2

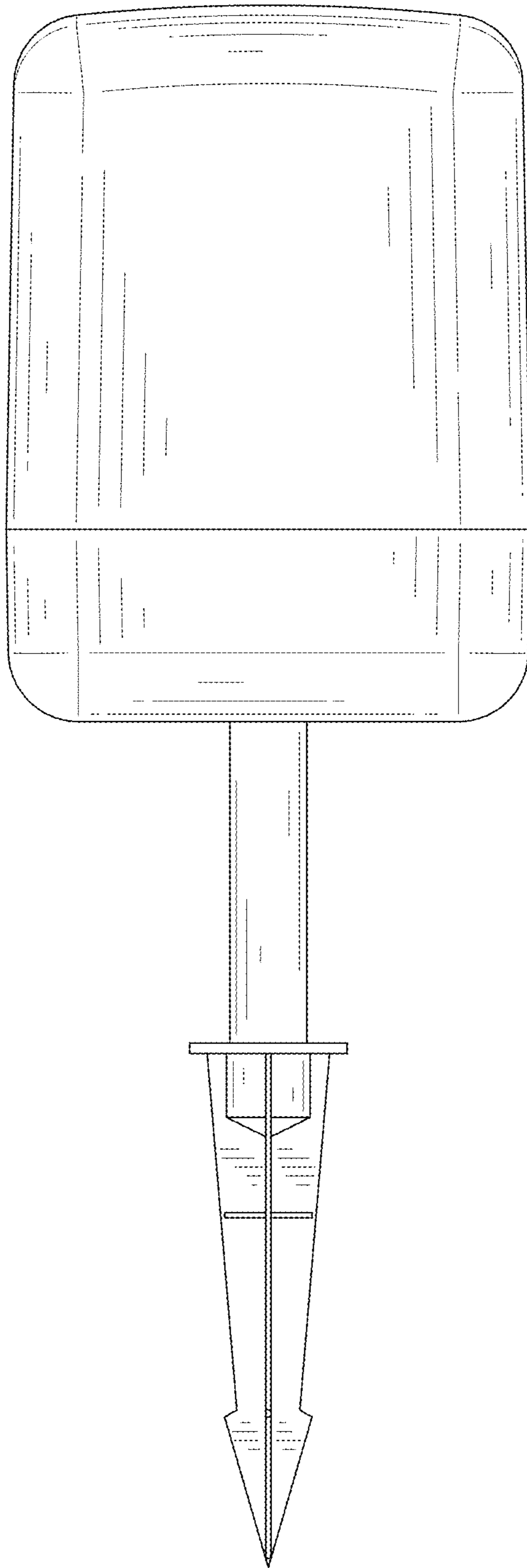


FIG. 3

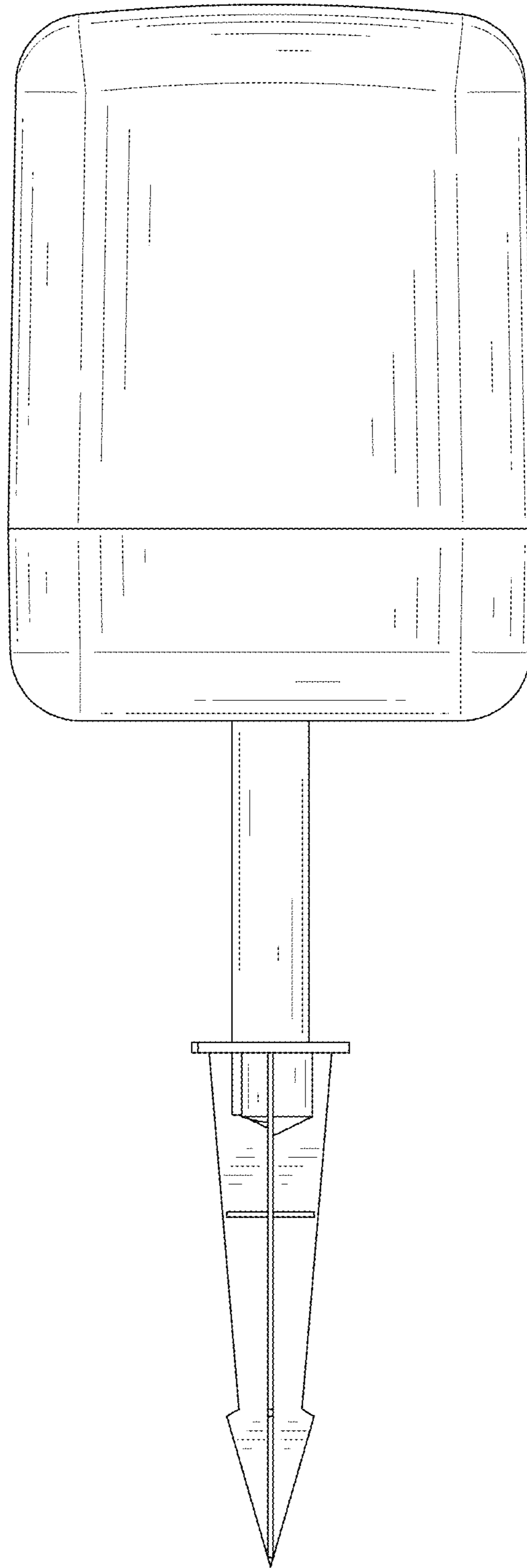


FIG. 4

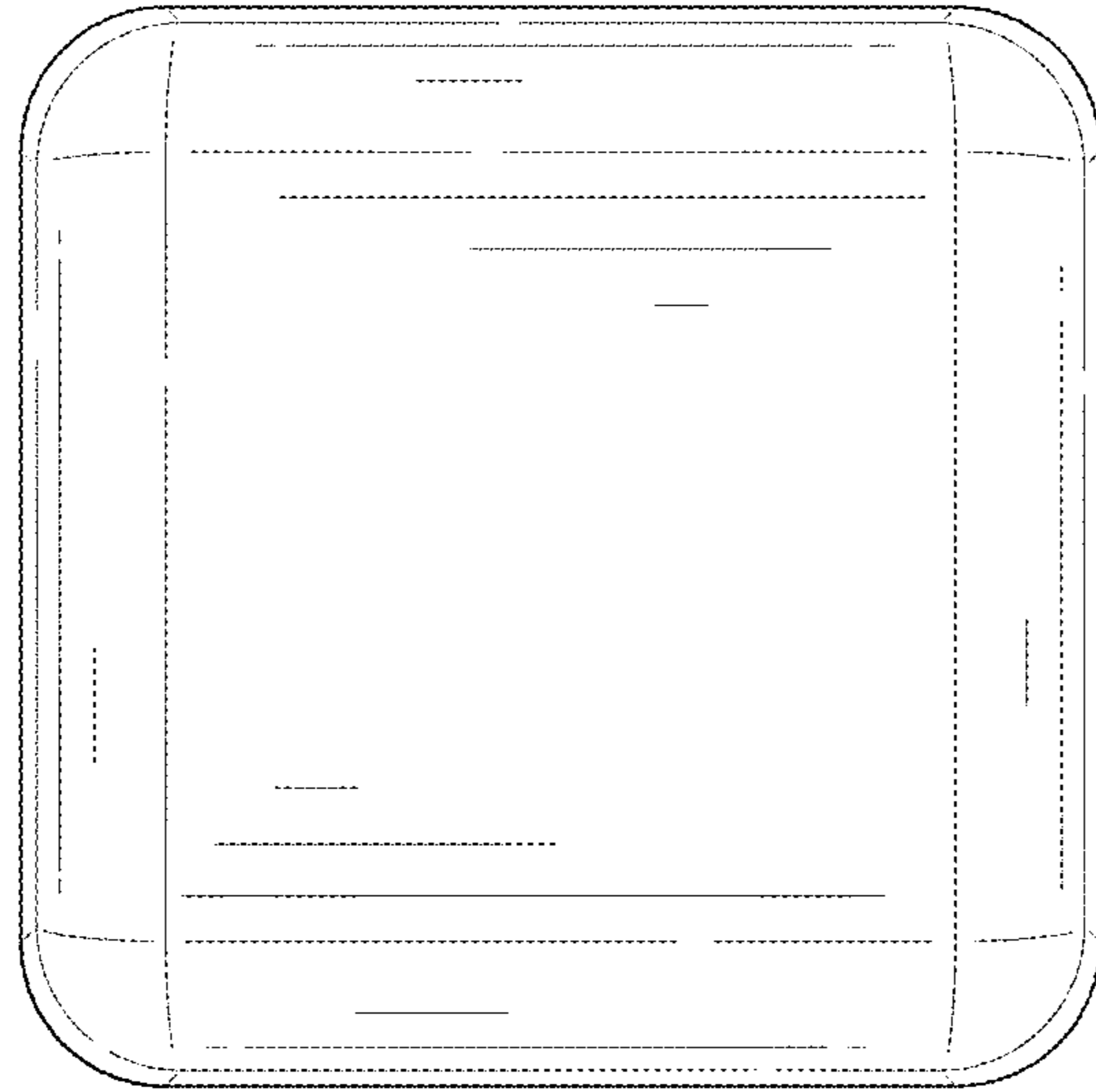


FIG. 5

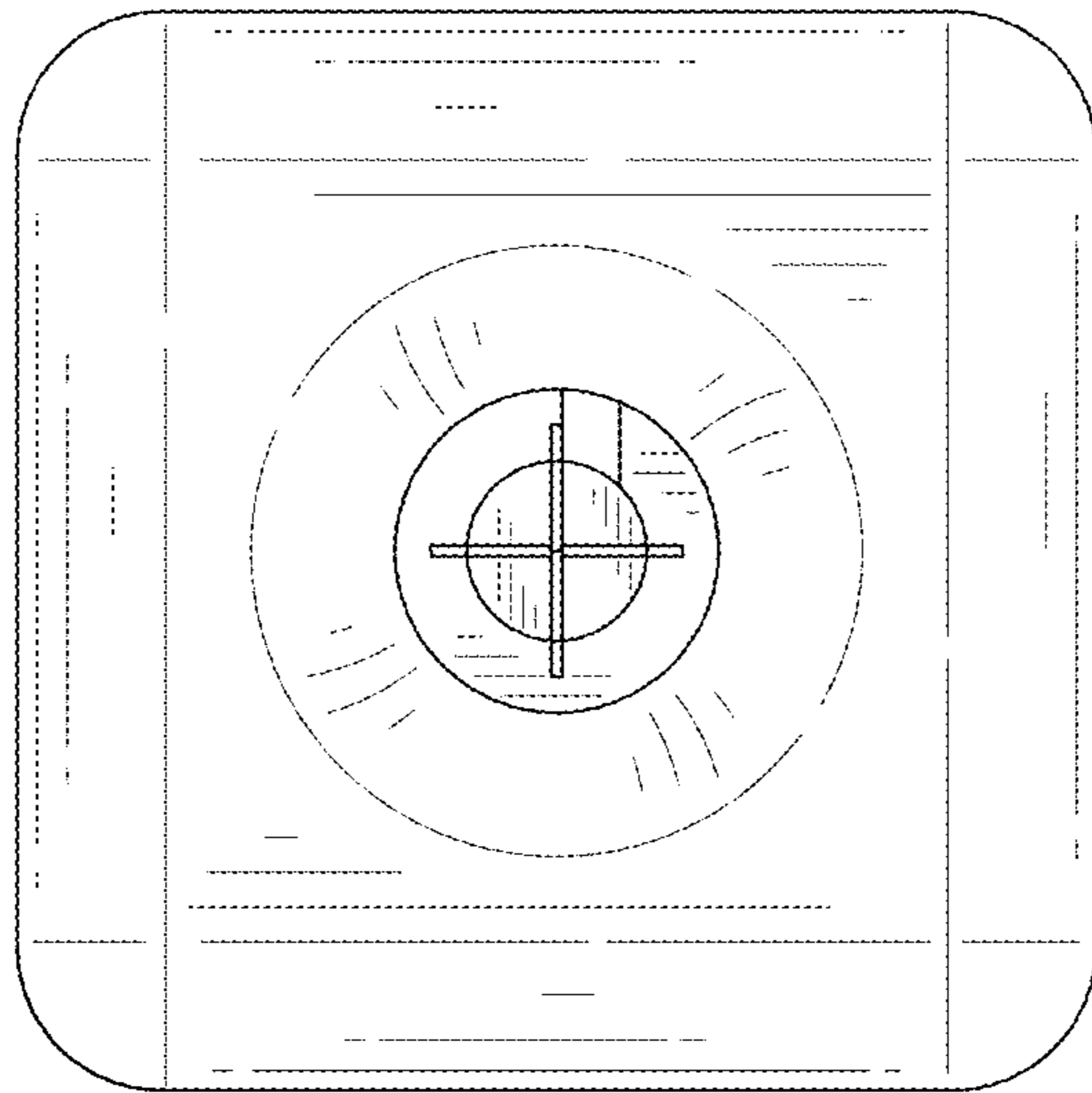


FIG. 6

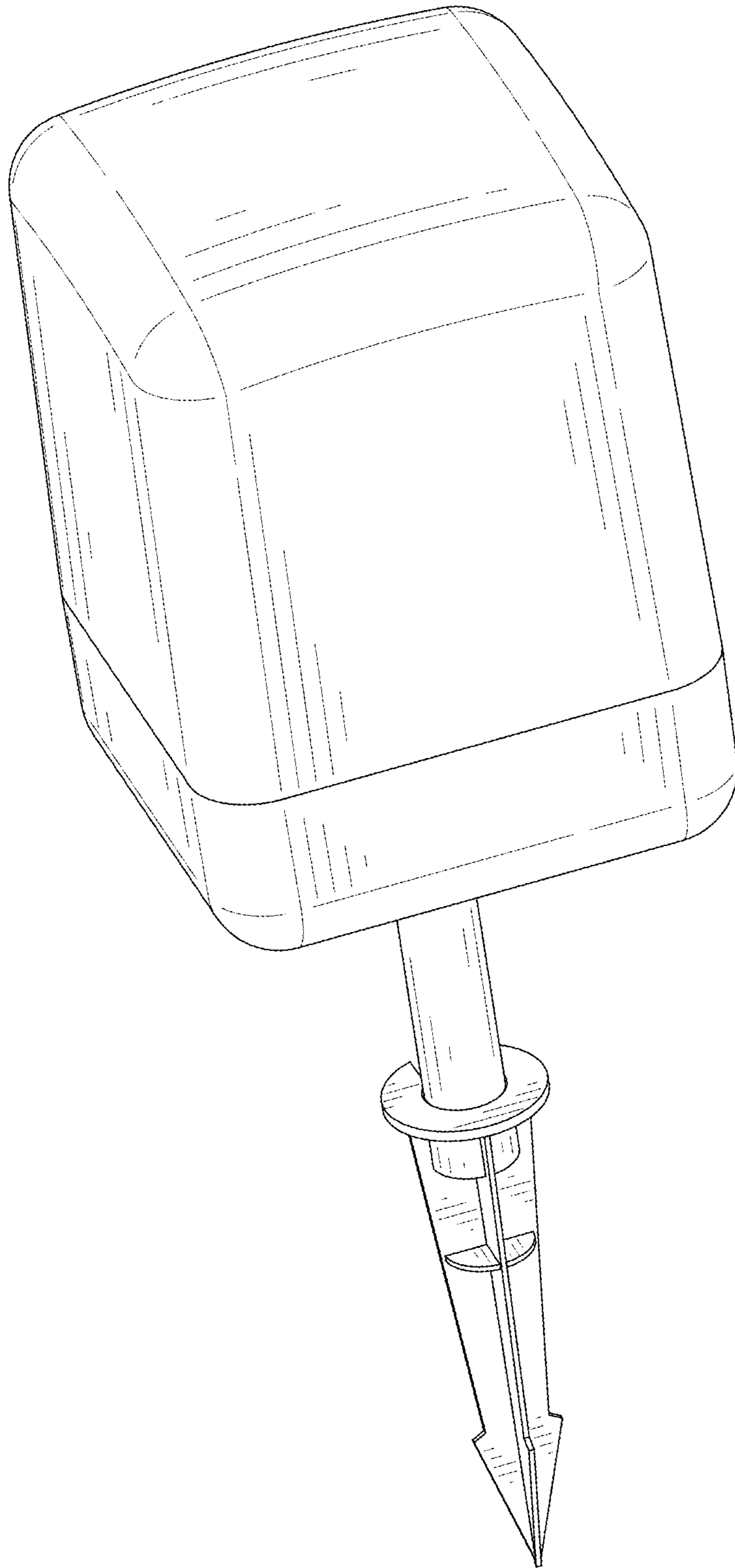


FIG. 7



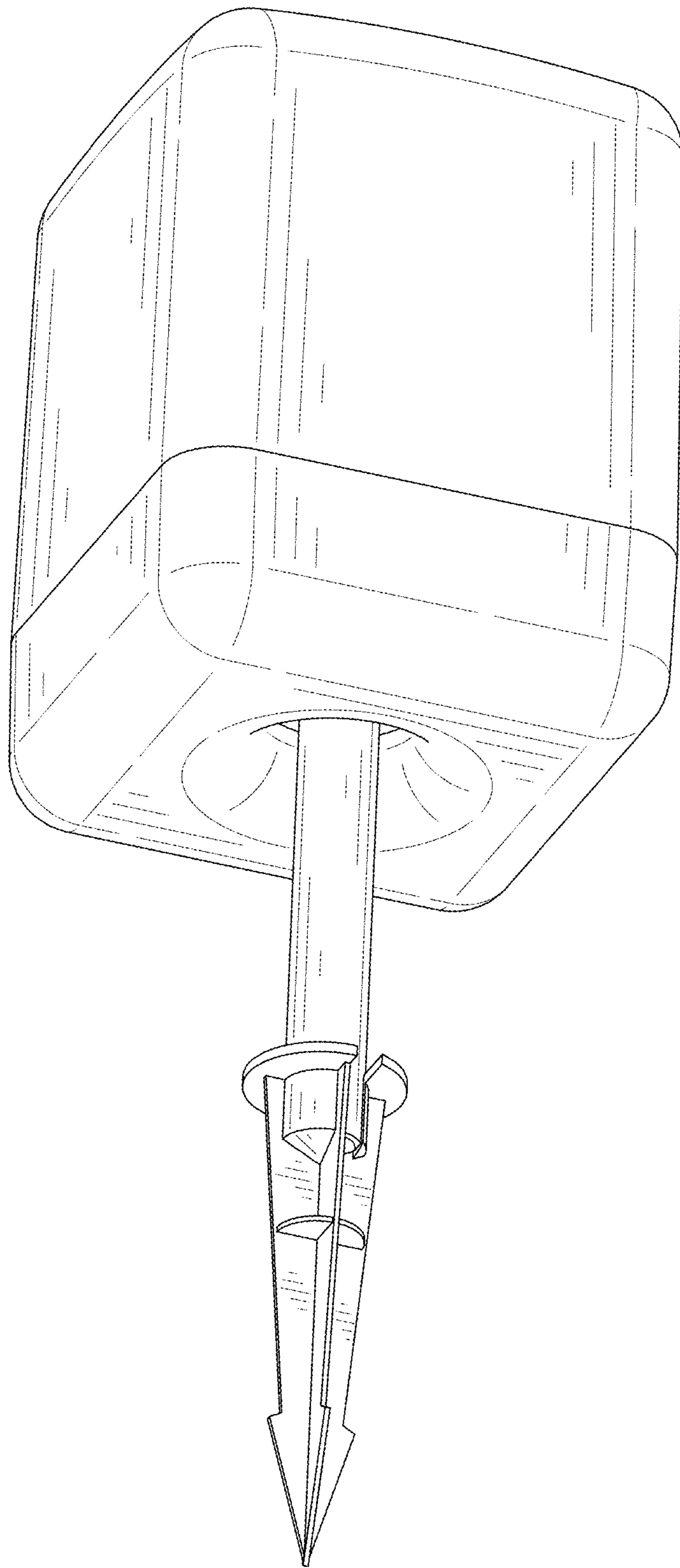


FIG. 8