



US00D884247S

(12) **United States Design Patent**
Zhu

(10) **Patent No.:** **US D884,247 S**

(45) **Date of Patent:** **** May 12, 2020**

(54) **SPIKE LAMP**

(71) Applicant: **YUYAO YUDA INDUSTRIAL CO., LTD.**, Yuyao, Ningbo, Zhejiang (CN)

(72) Inventor: **Liyun Zhu**, Yuyao (CN)

(73) Assignee: **YUYAO YUDA INDUSTRIAL CO., LTD.**, Yuyao (CN)

(**) Term: **15 Years**

(21) Appl. No.: **29/671,225**

(22) Filed: **Nov. 26, 2018**

(30) **Foreign Application Priority Data**

Sep. 29, 2018 (CN) 2018 3 0551038

(51) **LOC (12) Cl.** **26-05**

(52) **U.S. Cl.**
USPC **D26/67**

(58) **Field of Classification Search**
USPC D26/67-71
CPC F21S 8/08; F21S 8/081; F21S 8/083; F21S 8/088; F21S 9/03; F21S 9/037; F21V 21/0824; F21W 2111/02; F21W 2131/109
See application file for complete search history.

(56) **References Cited**

U.S. PATENT DOCUMENTS

D226,327 S * 2/1973 Anderson, Jr. D26/67
D506,565 S * 6/2005 Yurich D26/85
D567,984 S * 4/2008 Chen D26/67

D626,676 S * 11/2010 Johnson D26/67
D638,158 S * 5/2011 Glasbrenner D26/59
D743,605 S * 11/2015 Verelst D26/68
D827,899 S * 9/2018 Li D26/67
D869,041 S * 12/2019 Yan D26/68
D870,944 S * 12/2019 Niswonger D26/67
2011/0299272 A1* 12/2011 Ko F21S 8/081
362/183
2018/0231201 A1* 8/2018 Heim F21V 11/08

OTHER PUBLICATIONS

“Spike Spot” ground and deck mount lamp found at hunzalighting.com, visited Jan. 15, 2019 (Year: 2019).*

* cited by examiner

Primary Examiner — Clare E Heflin

(74) *Attorney, Agent, or Firm* — Leason Ellis LLP

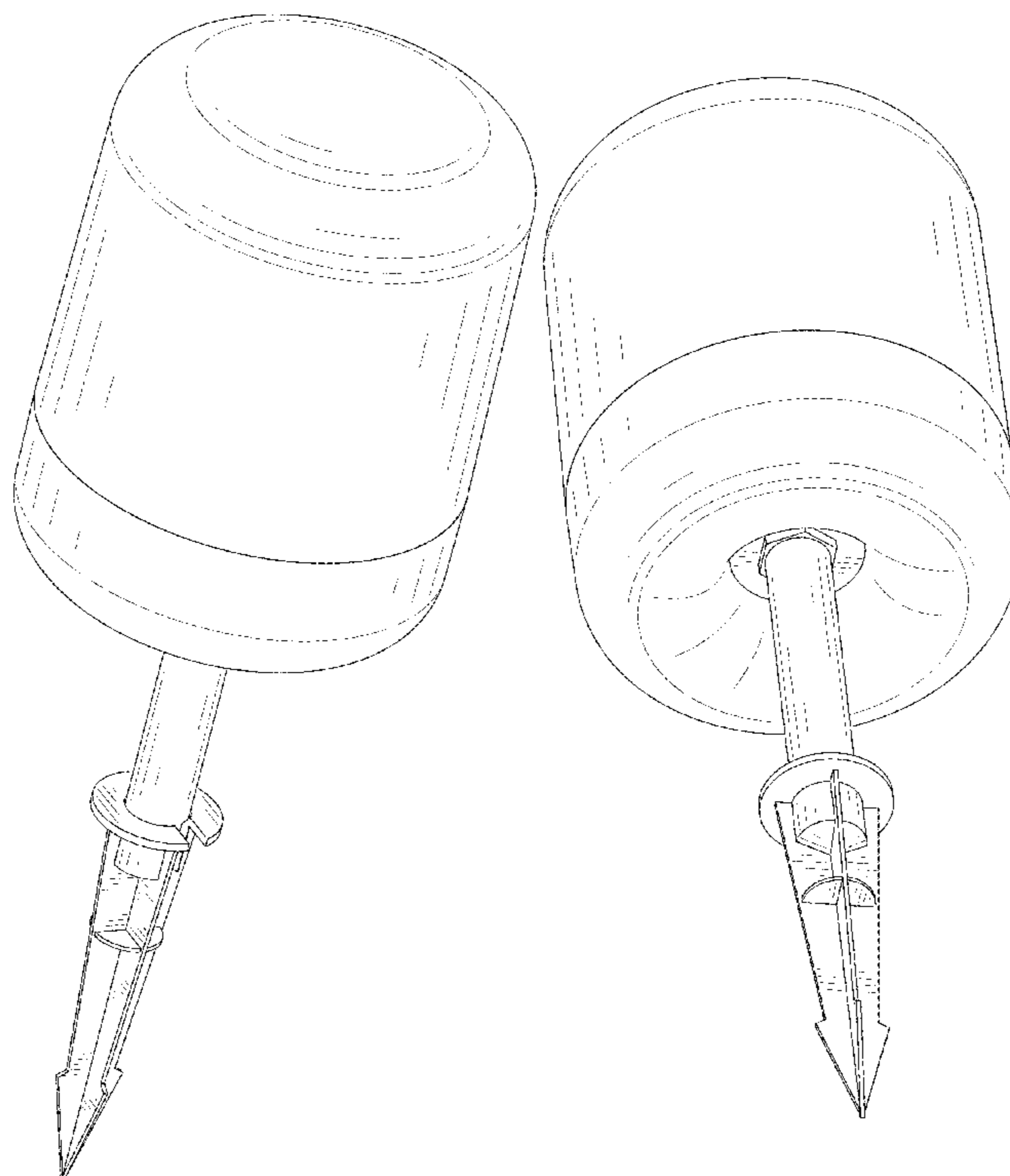
(57) **CLAIM**

The ornamental design for a spike lamp, substantially as shown and described.

DESCRIPTION

FIG. 1 is a front side view of a spike lamp in accordance with the present invention;
FIG. 2 is a rear side view of the spike lamp in FIG. 1;
FIG. 3 is a left side view thereof;
FIG. 4 is a right side view thereof;
FIG. 5 is a top side view thereof;
FIG. 6 is a bottom side view thereof;
FIG. 7 is a front perspective view thereof; and,
FIG. 8 is a bottom perspective view thereof.

1 Claim, 8 Drawing Sheets



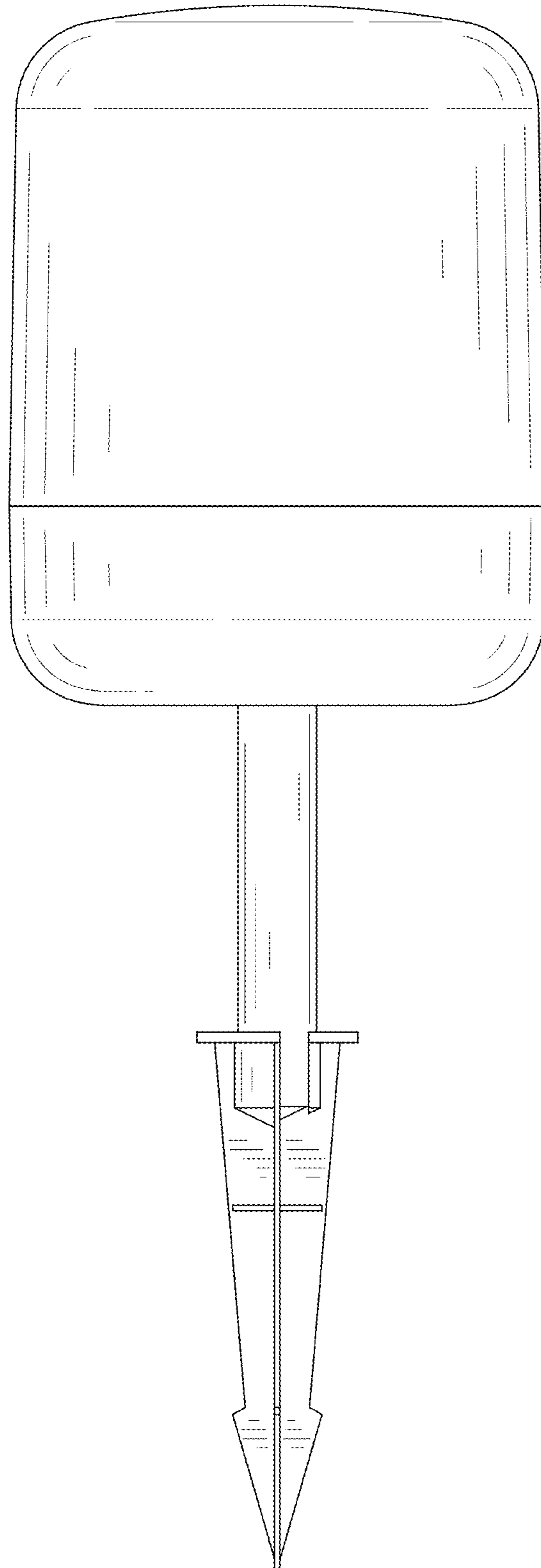


FIG. 1

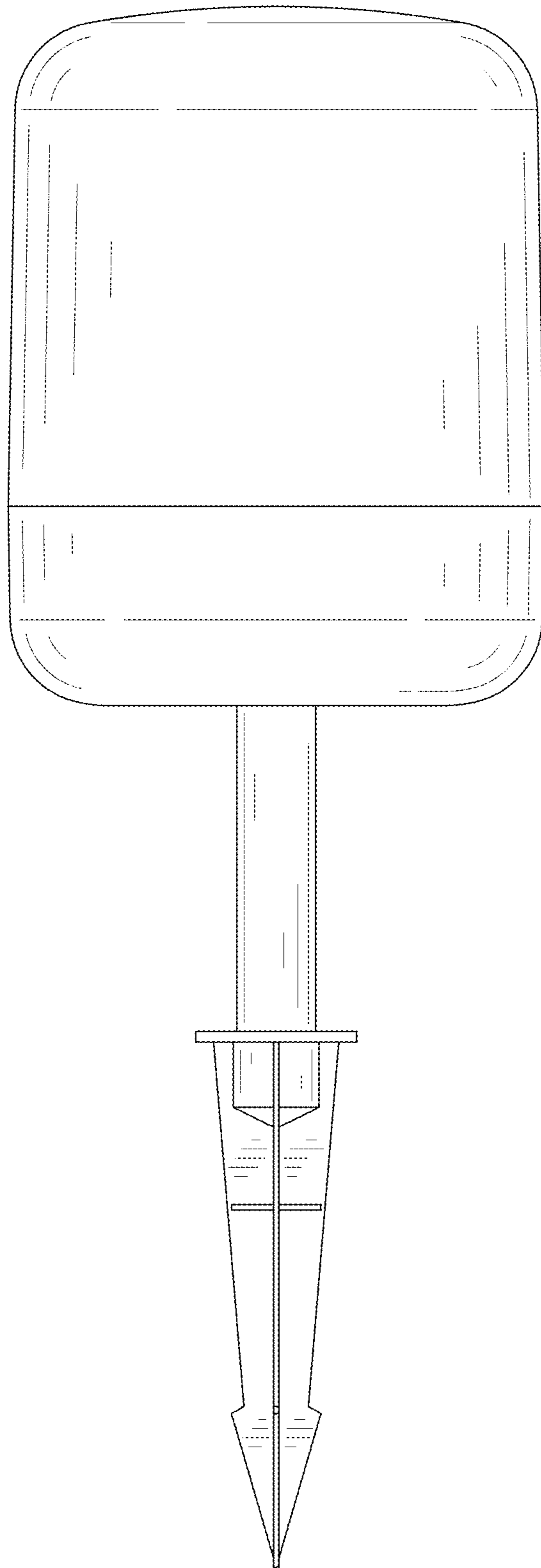


FIG. 2

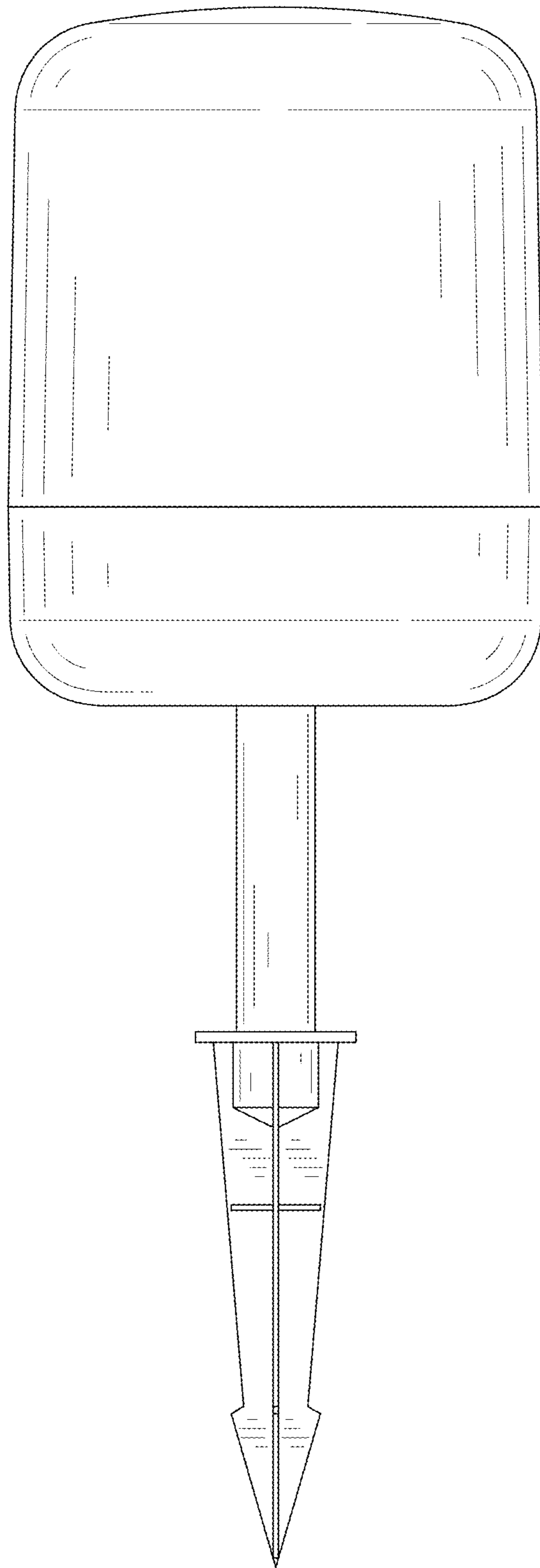


FIG. 3

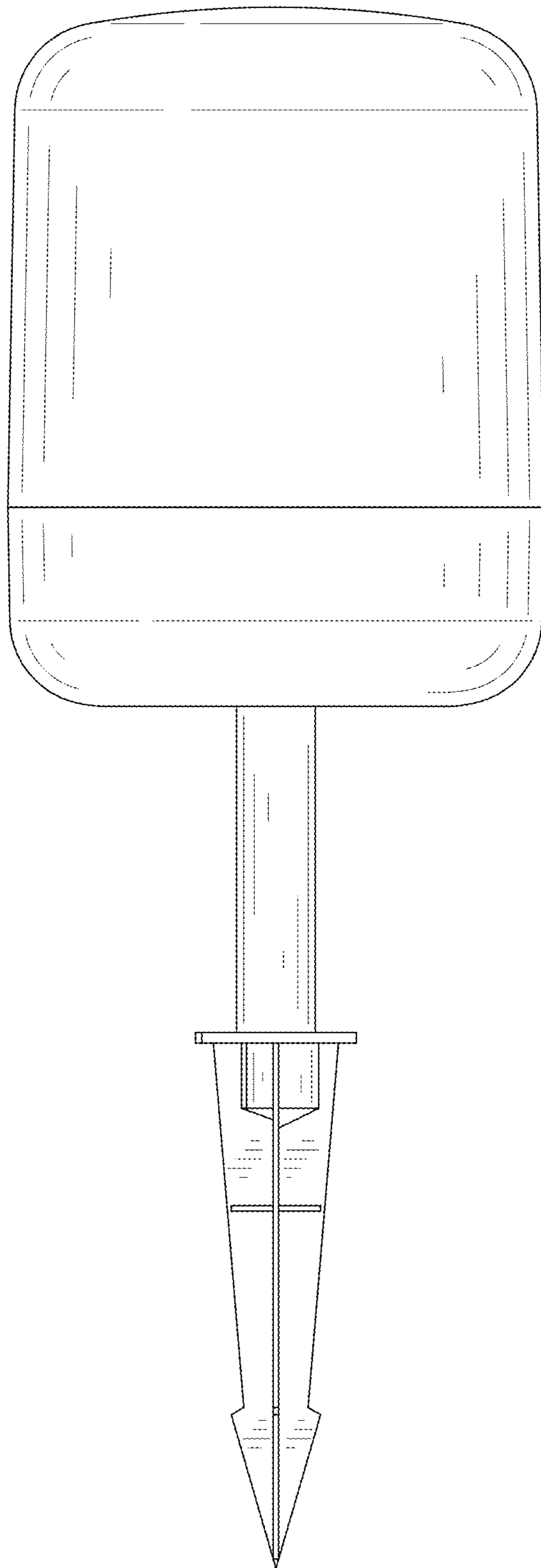


FIG. 4

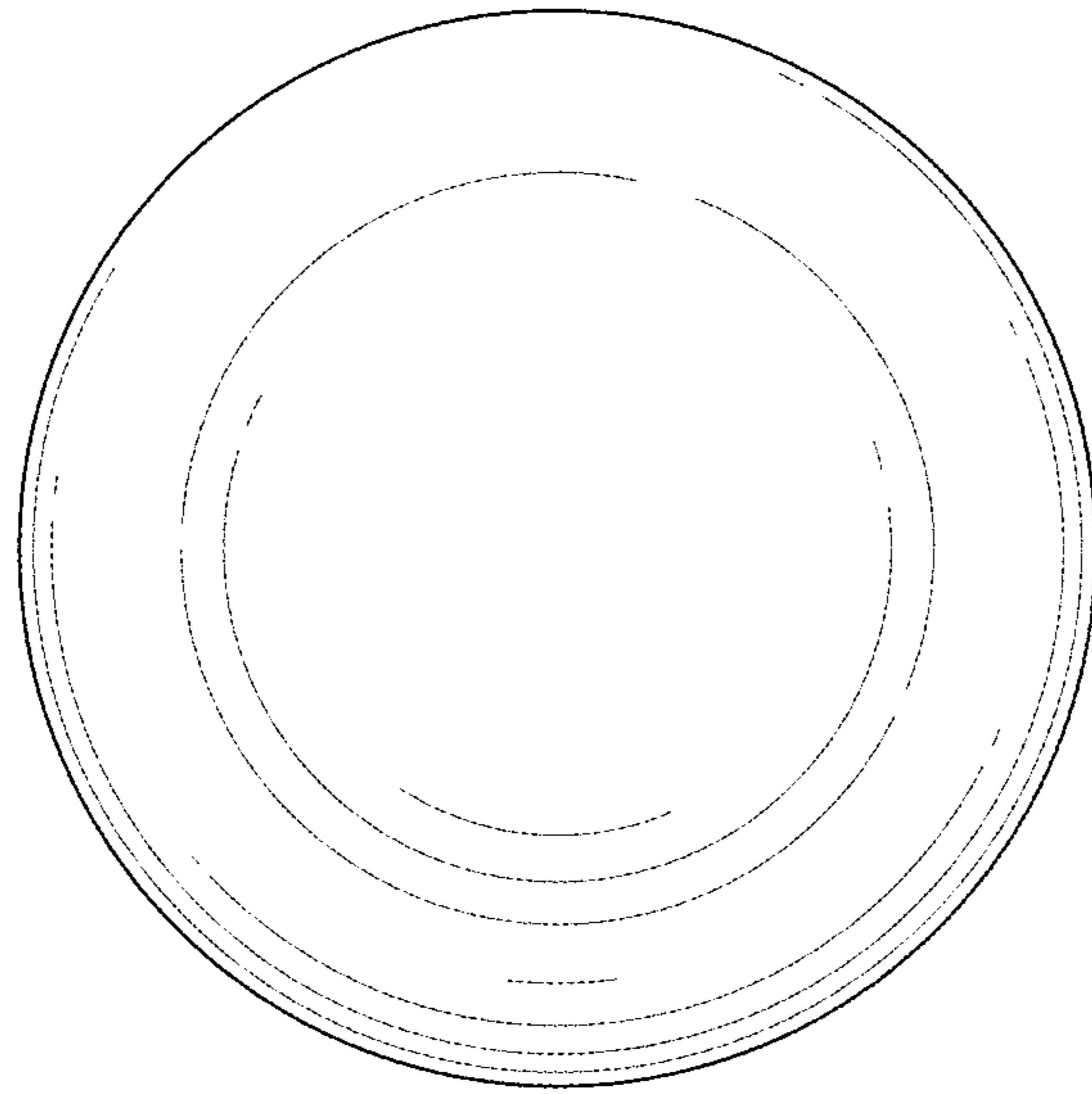


FIG. 5

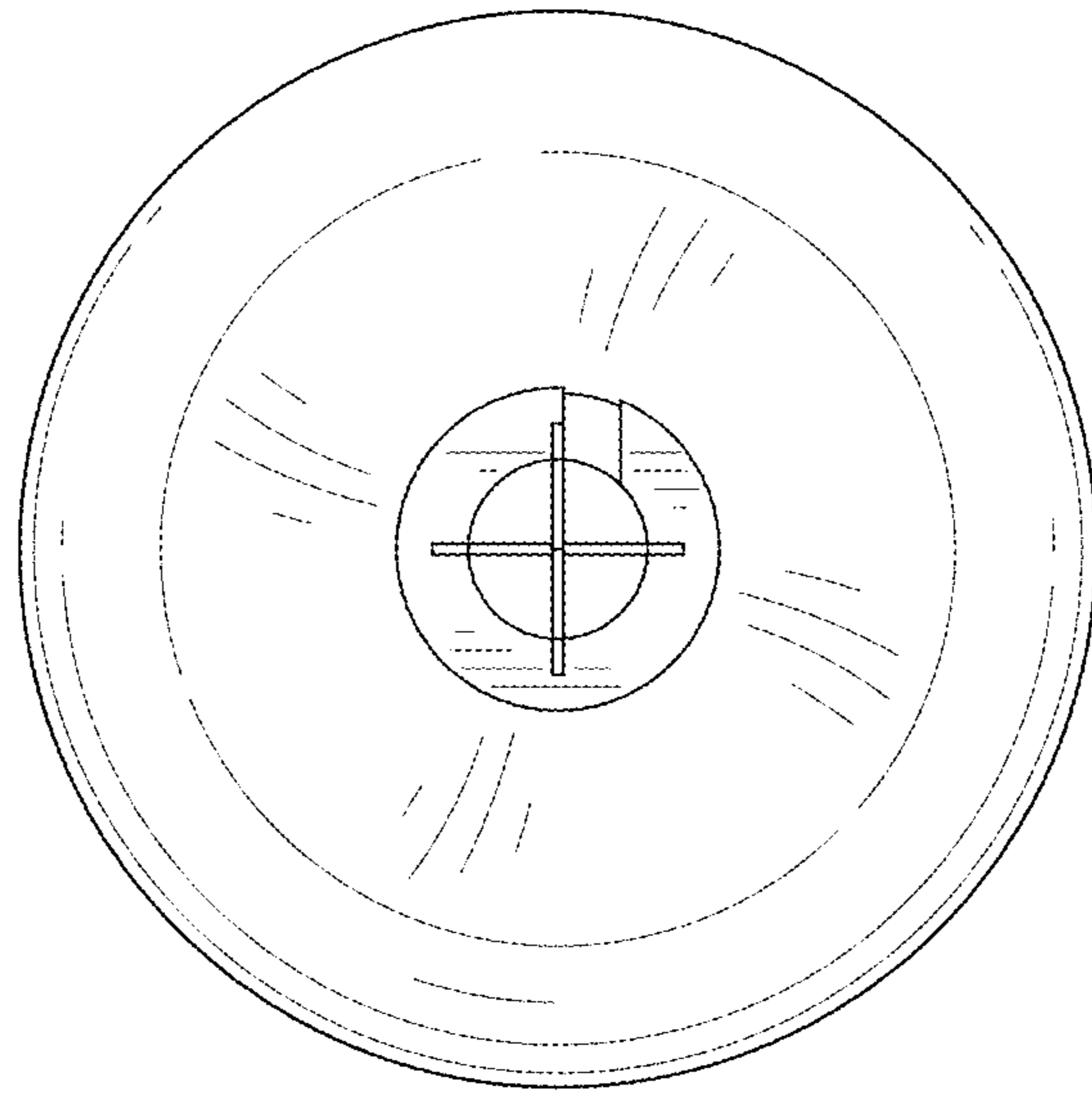


FIG. 6

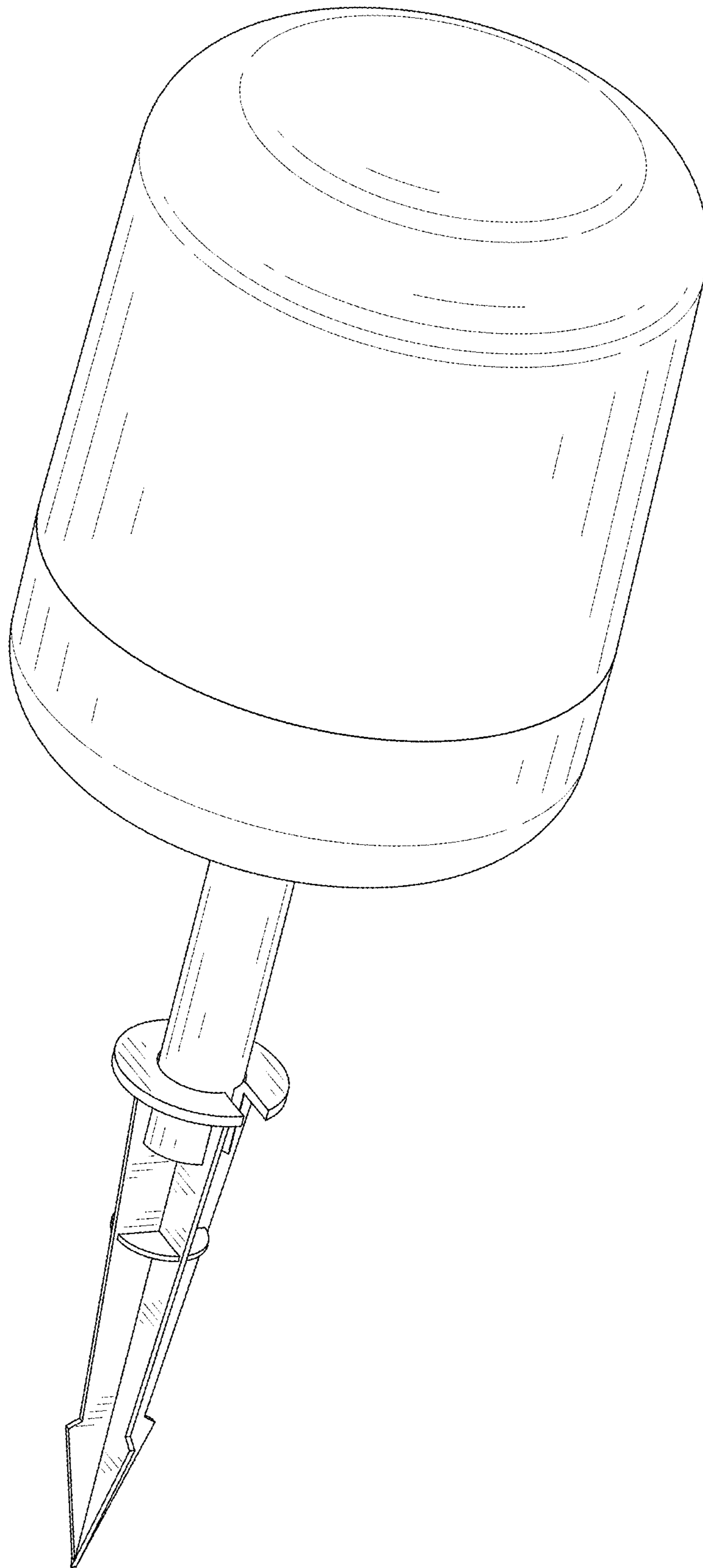


FIG. 7

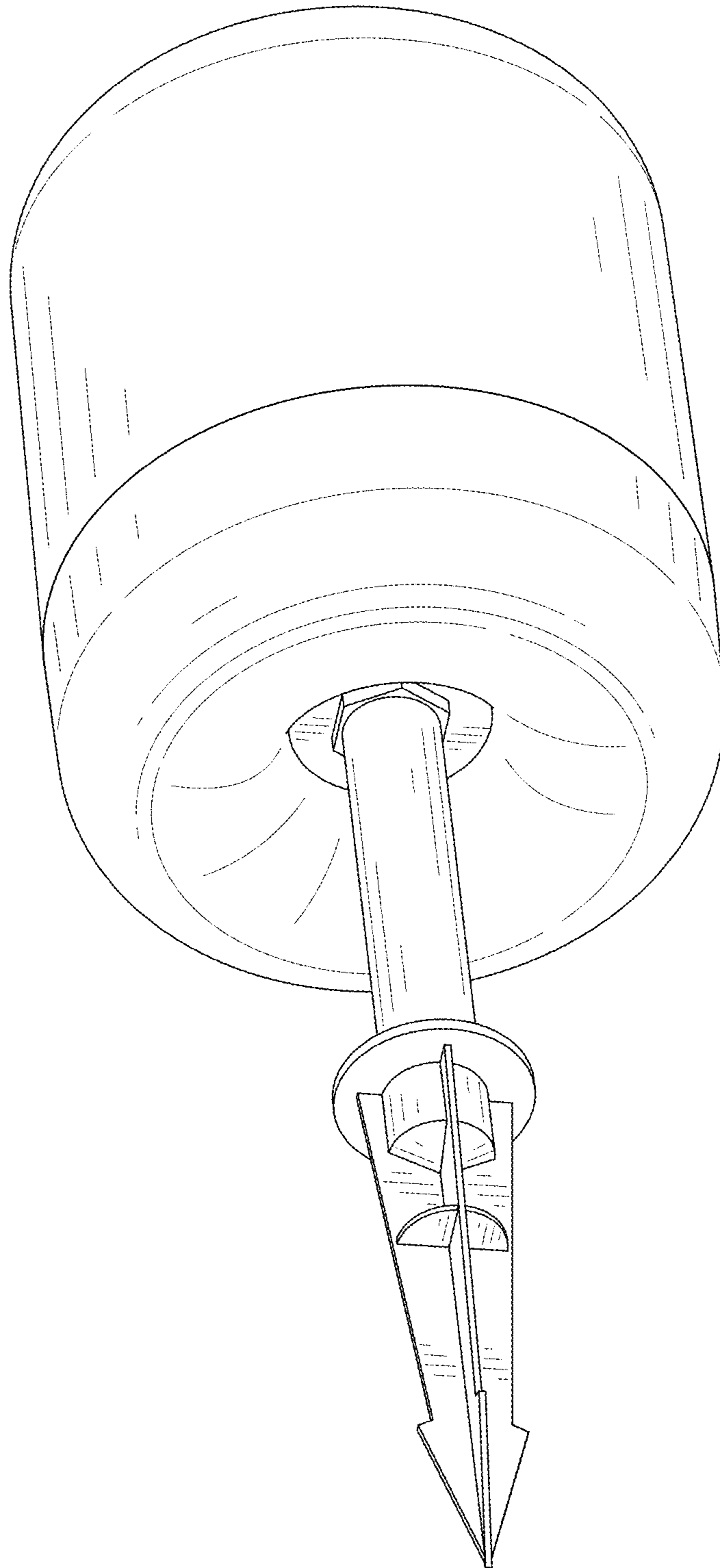


FIG. 8