



US00D884246S

(12) **United States Design Patent**
Tang et al.

(10) **Patent No.:** **US D884,246 S**

(45) **Date of Patent:** **** May 12, 2020**

(54) **SOLAR LAMP**

(71) Applicant: **NINGBO SOLAR TECH IMP. & EXP. CO., LTD.**, Ningbo (CN)

(72) Inventors: **Xingao Tang**, Ningbo (CN); **Kai Zhang**, Ningbo (CN)

(**) Term: **15 Years**

(21) Appl. No.: **29/660,595**

(22) Filed: **Aug. 21, 2018**

(51) **LOC (12) Cl.** **26-05**

(52) **U.S. Cl.**
USPC **D26/67**

(58) **Field of Classification Search**
USPC D26/63, 67-70, 85
CPC .. F21S 8/081; F21S 8/083; F21S 8/088; F21S 9/03; F21S 9/032; F21S 9/035; F21V 21/0824; F21W 2111/02; F21W 2111/023; F21W 2131/109
See application file for complete search history.

(56) **References Cited**

U.S. PATENT DOCUMENTS

D169,798 S * 6/1953 Anthony D26/67
5,280,417 A * 1/1994 Hall F21S 8/081
362/153

5,297,013 A * 3/1994 Hall F21S 8/081
362/249.01
D348,944 S * 7/1994 Shalvi D26/67
D441,116 S * 4/2001 Sanoner D26/68
D461,579 S * 8/2002 Chang D26/67
D471,307 S * 3/2003 Yung D26/67
D541,967 S * 5/2007 Rahir D26/2
D551,791 S * 9/2007 Sanoner D26/68
D672,484 S * 12/2012 Chen D26/67
D738,556 S * 9/2015 Macura D26/67
D740,990 S * 10/2015 Tortel D26/67
D800,940 S * 10/2017 Guzzini D26/67

* cited by examiner

Primary Examiner — Clare E Heflin

(74) *Attorney, Agent, or Firm* — W&K IP

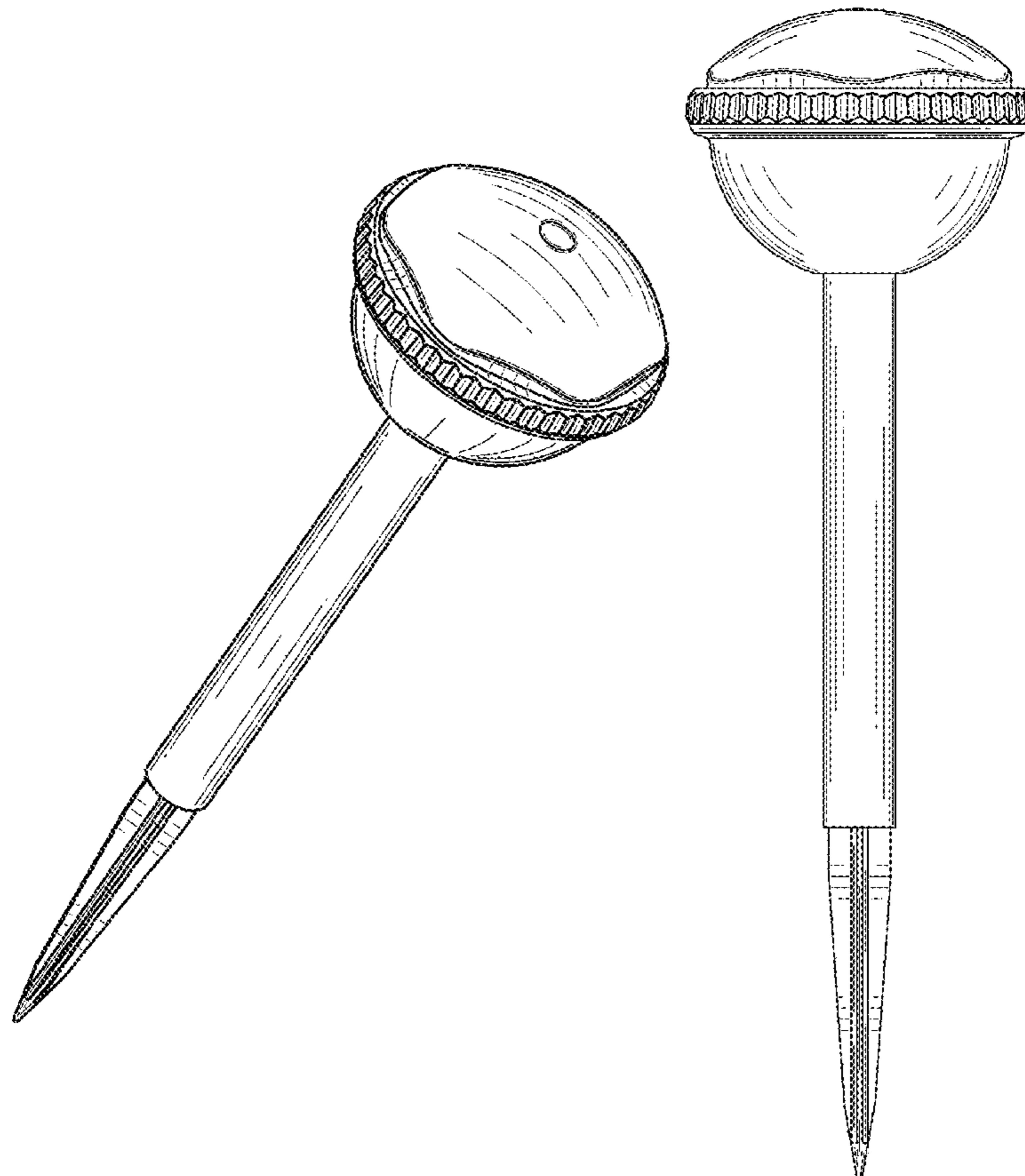
(57) **CLAIM**

The ornamental design for a solar lamp, as shown and described.

DESCRIPTION

FIG. 1 is a perspective view of a solar lamp;
FIG. 2 is a front view thereof;
FIG. 3 is a rear view thereof;
FIG. 4 is a left view thereof;
FIG. 5 is a right view thereof;
FIG. 6 is a top view thereof; and,
FIG. 7 is a bottom view thereof.

1 Claim, 7 Drawing Sheets



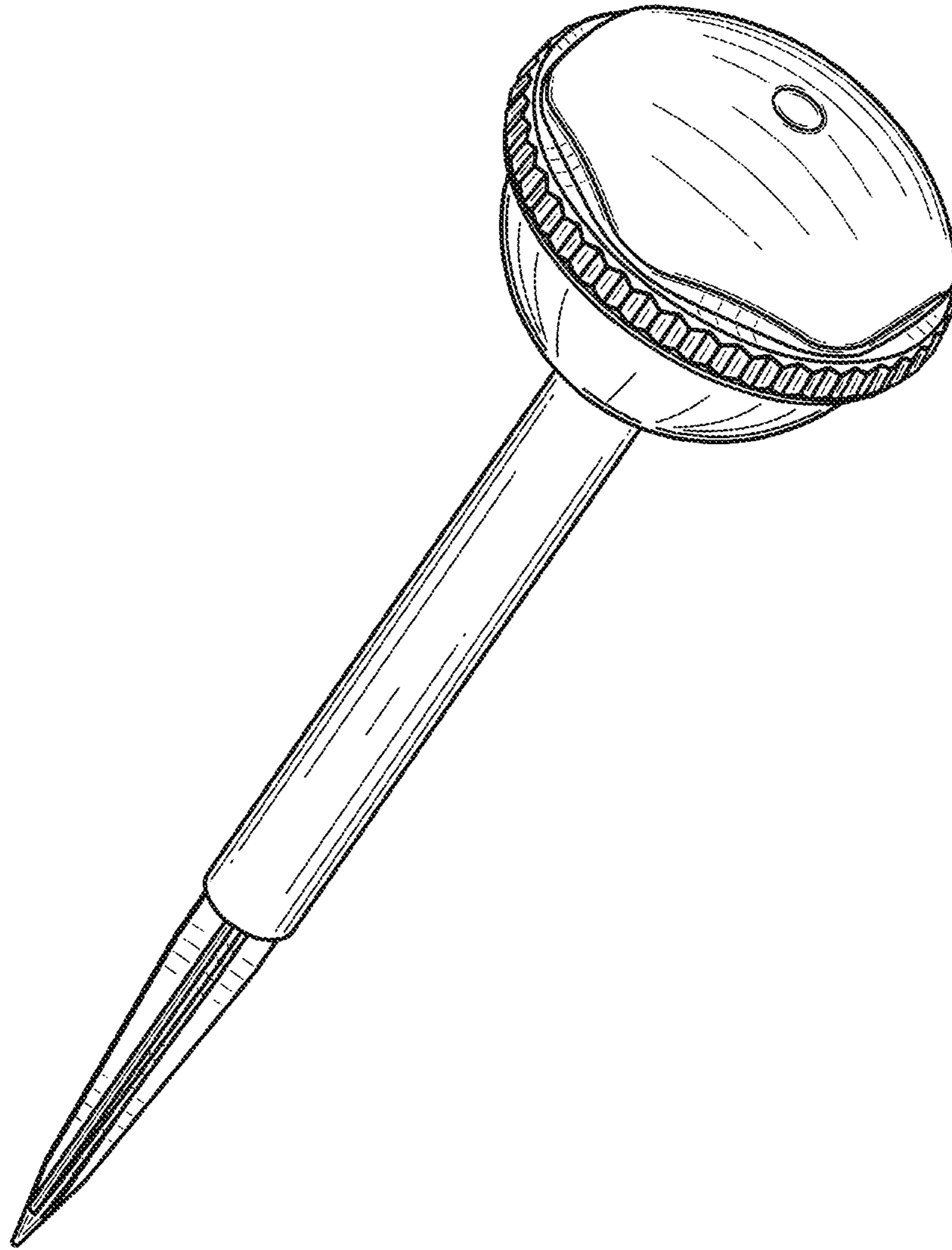


FIG. 1

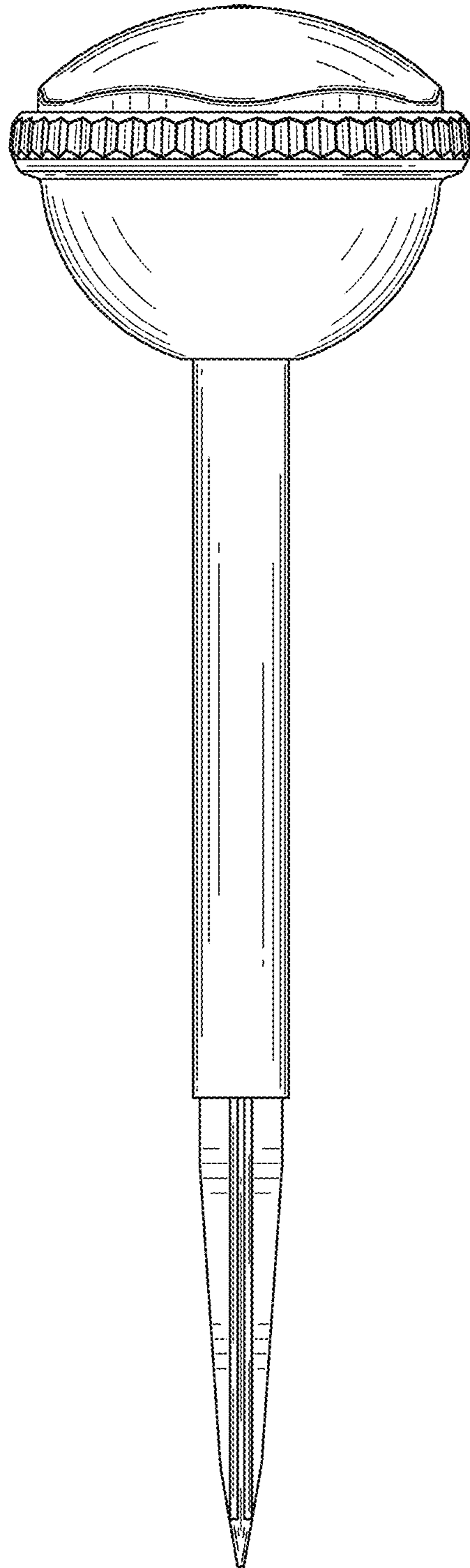


FIG. 2

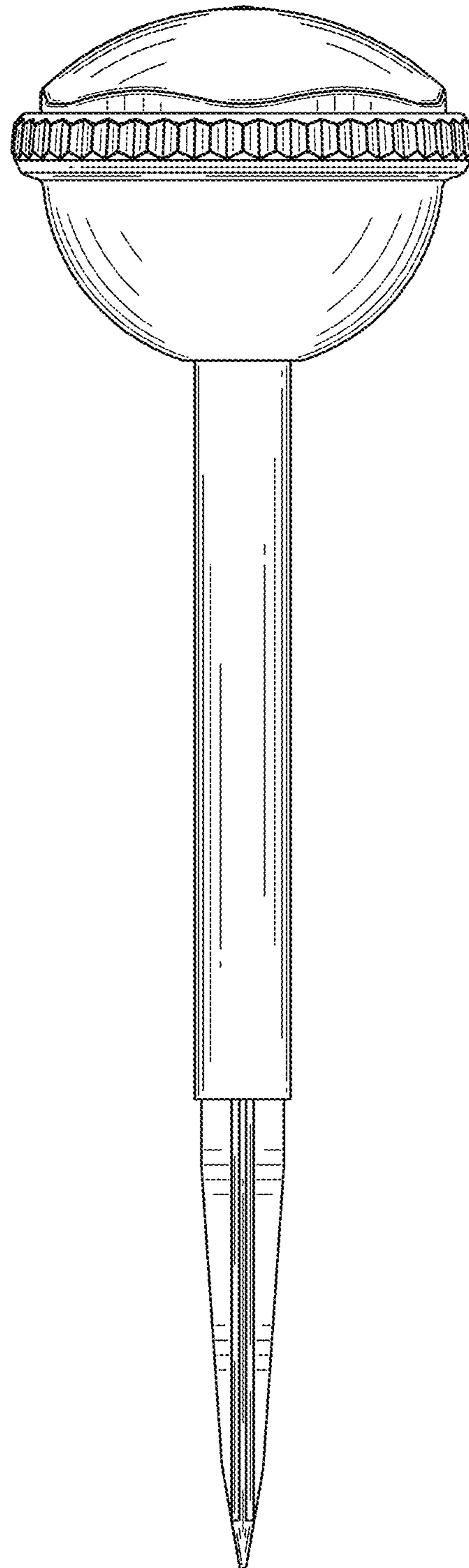


FIG. 3

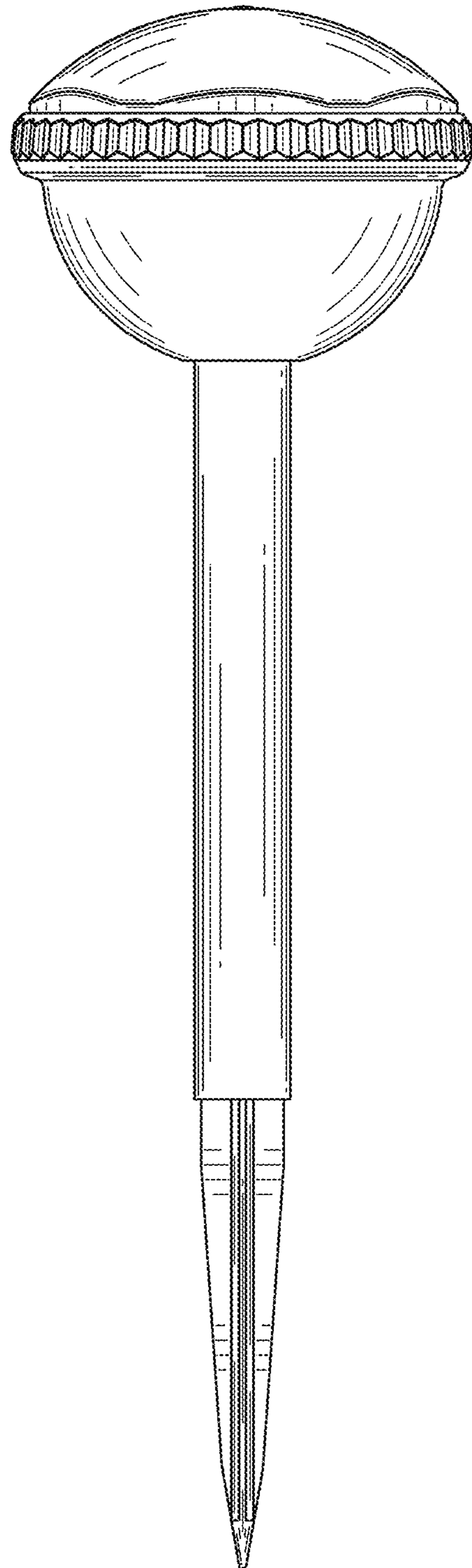


FIG. 4

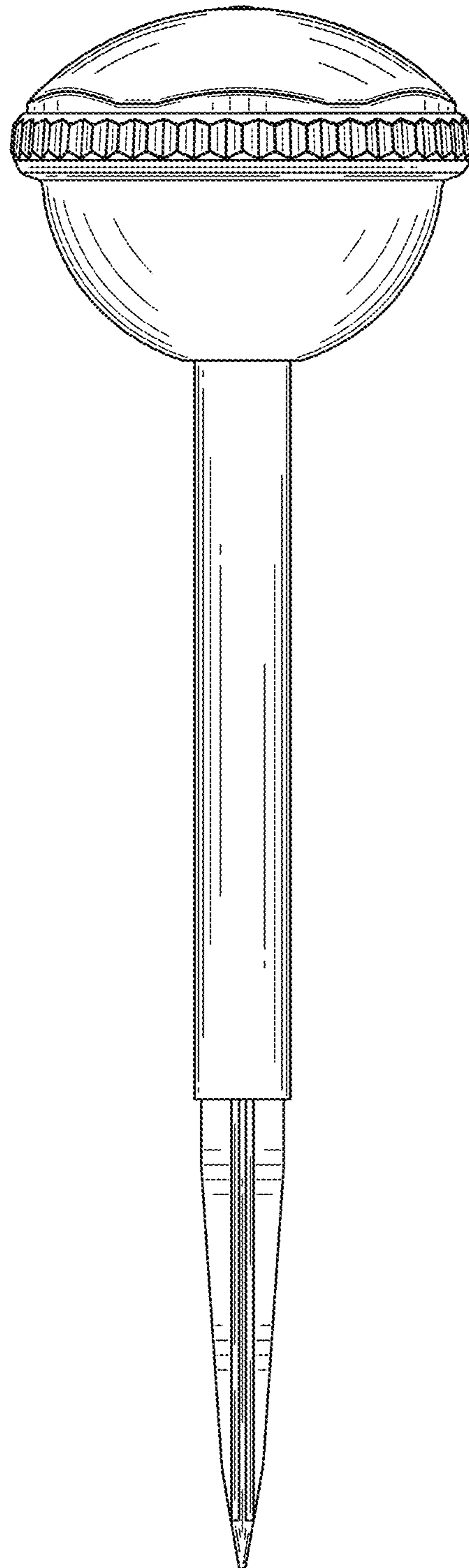


FIG. 5

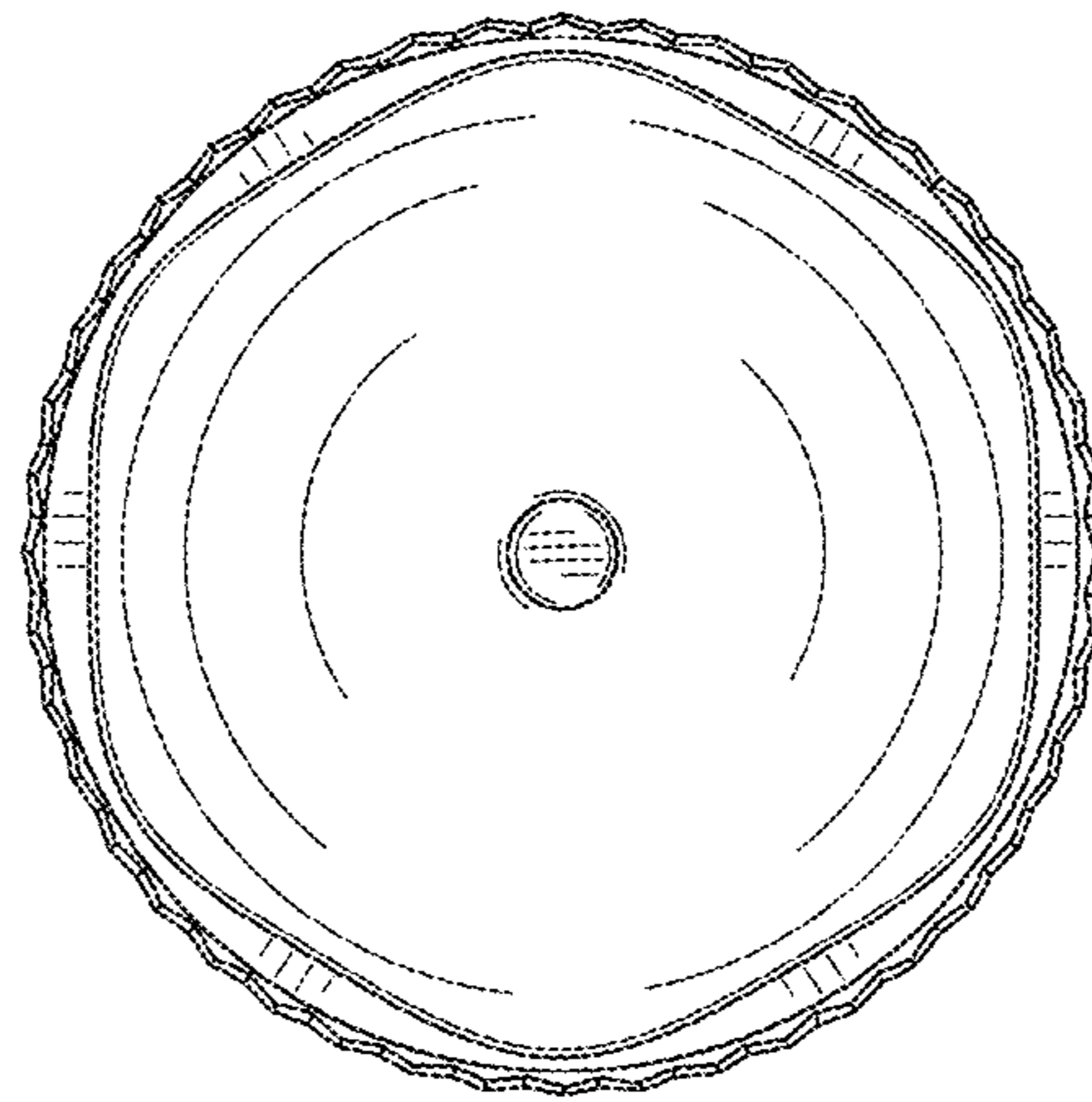


FIG. 6

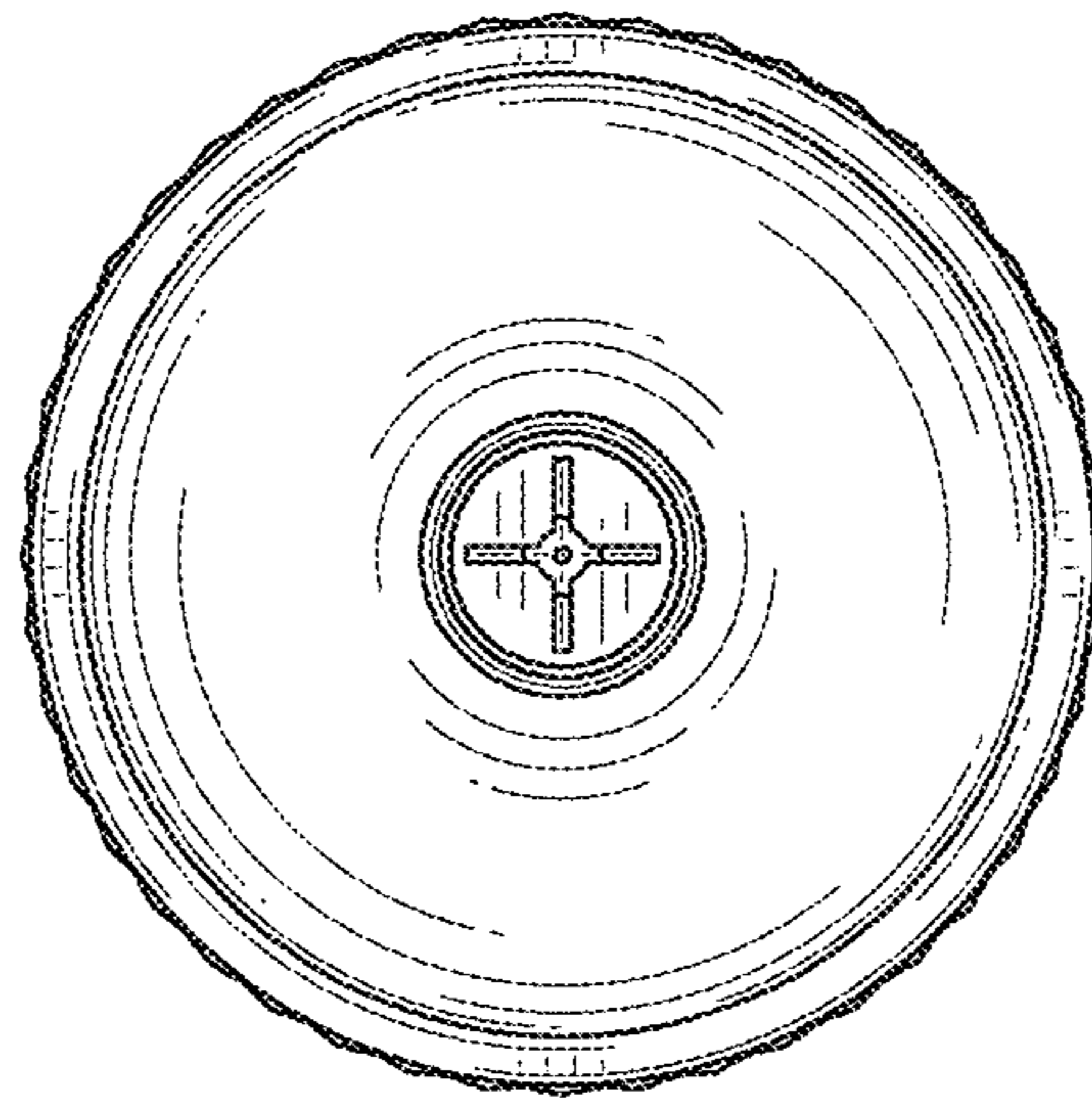


FIG. 7