



US00D884245S

(12) **United States Design Patent**
Ke

(10) **Patent No.:** **US D884,245 S**

(45) **Date of Patent:** **** May 12, 2020**

(54) **LED VIDEO LIGHT**

(71) Applicant: **SHENZHEN NEEWER TECHNOLOGY CO. LTD**, Shenzhen, Guangdong (CN)

(72) Inventor: **Yan Ke**, Jiangsu (CN)

(73) Assignee: **SHENZHEN NEEWER TECHNOLOGY CO. LTD**, Shenzhen (CN)

(**) Term: **15 Years**

(21) Appl. No.: **29/655,689**

(22) Filed: **Jul. 6, 2018**

(30) **Foreign Application Priority Data**

Jan. 26, 2018 (CN) 2018 3 0038951

(51) **LOC (12) Cl.** **26-03**

(52) **U.S. Cl.**
USPC **D26/65**

(58) **Field of Classification Search**
USPC D26/60-66, 72, 86, 102, 85, 87, 92
CPC F21Y 2103/002; F21Y 2101/02;
F21S 10/00; F21V 21/30; F21V 14/02;
F21V 21/00

See application file for complete search history.

(56) **References Cited**

U.S. PATENT DOCUMENTS

D645,184 S * 9/2011 Zhan D26/63
D693,397 S * 11/2013 Zhan D26/63

D711,030 S * 8/2014 Zhan D26/65
D711,577 S * 8/2014 Zhan D26/65
D747,526 S * 1/2016 Zhang D26/63
D828,620 S * 9/2018 Moller D26/63

* cited by examiner

Primary Examiner — Brian N. Vinson

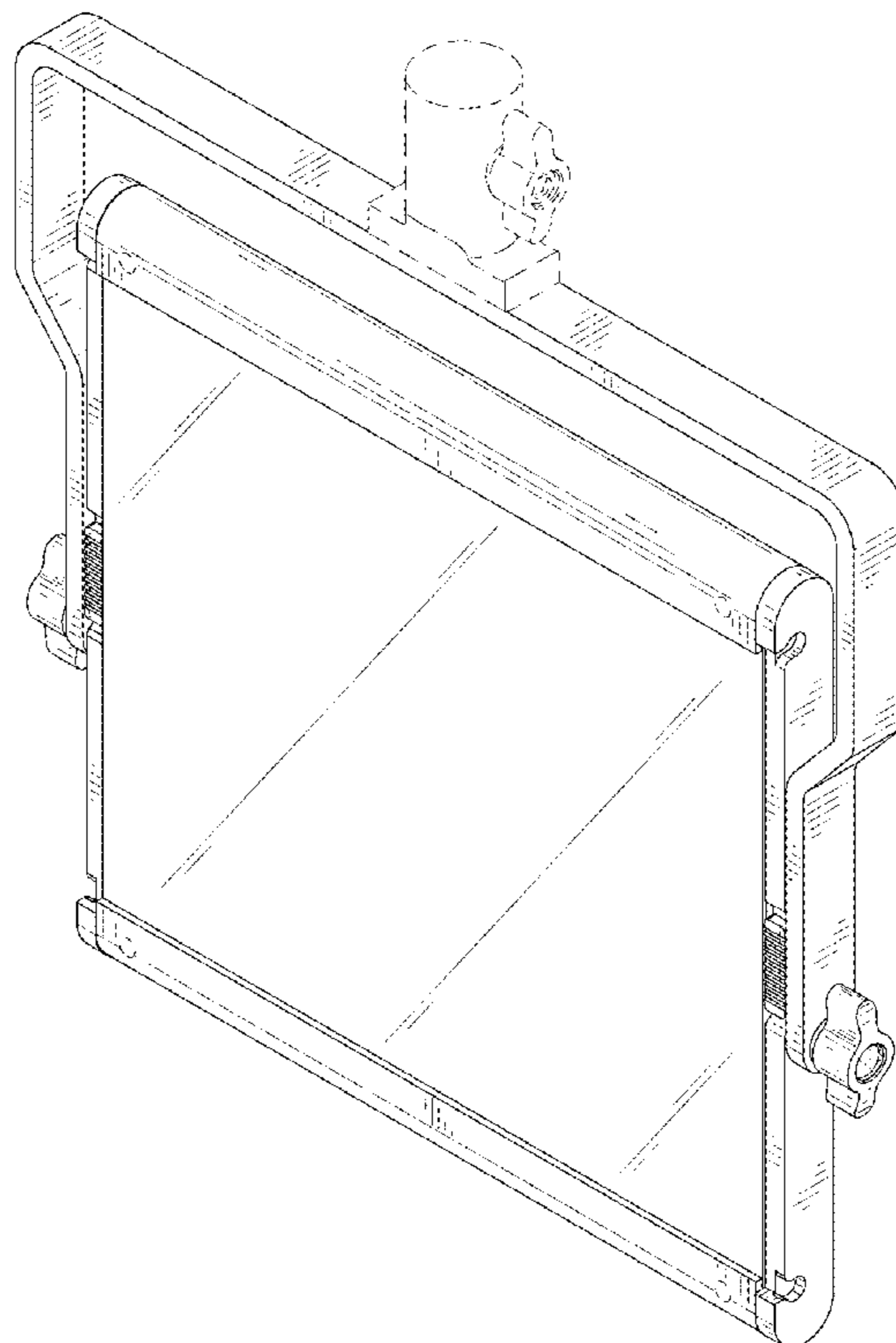
(57) **CLAIM**

The ornamental design for a LED video light, as shown and described.

DESCRIPTION

FIG. 1 is a top, front and right side perspective view of a LED video light showing my new design;
FIG. 2 is a bottom, rear and left side perspective view thereof;
FIG. 3 is a front elevational view thereof;
FIG. 4 is a rear elevational view thereof;
FIG. 5 is a left side view thereof;
FIG. 6 is a right side view thereof;
FIG. 7 is a top plan view thereof; and,
FIG. 8 is a bottom plan view thereof.
The broken lines in the drawings illustrate portions of the LED video light which form no part of the claimed design. The oblique shade lines in the drawings represent reflective surfaces.

1 Claim, 8 Drawing Sheets



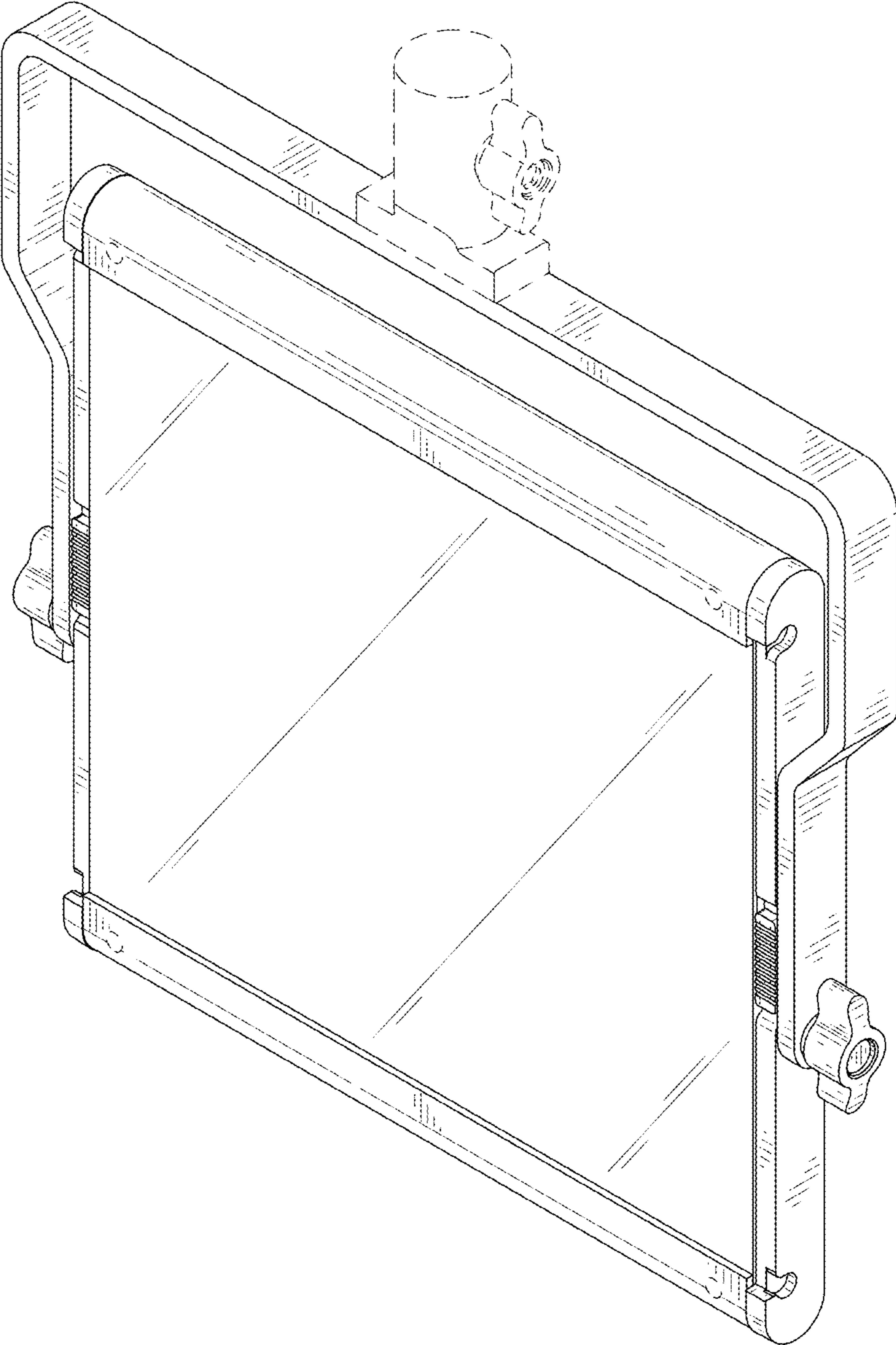


FIG. 1

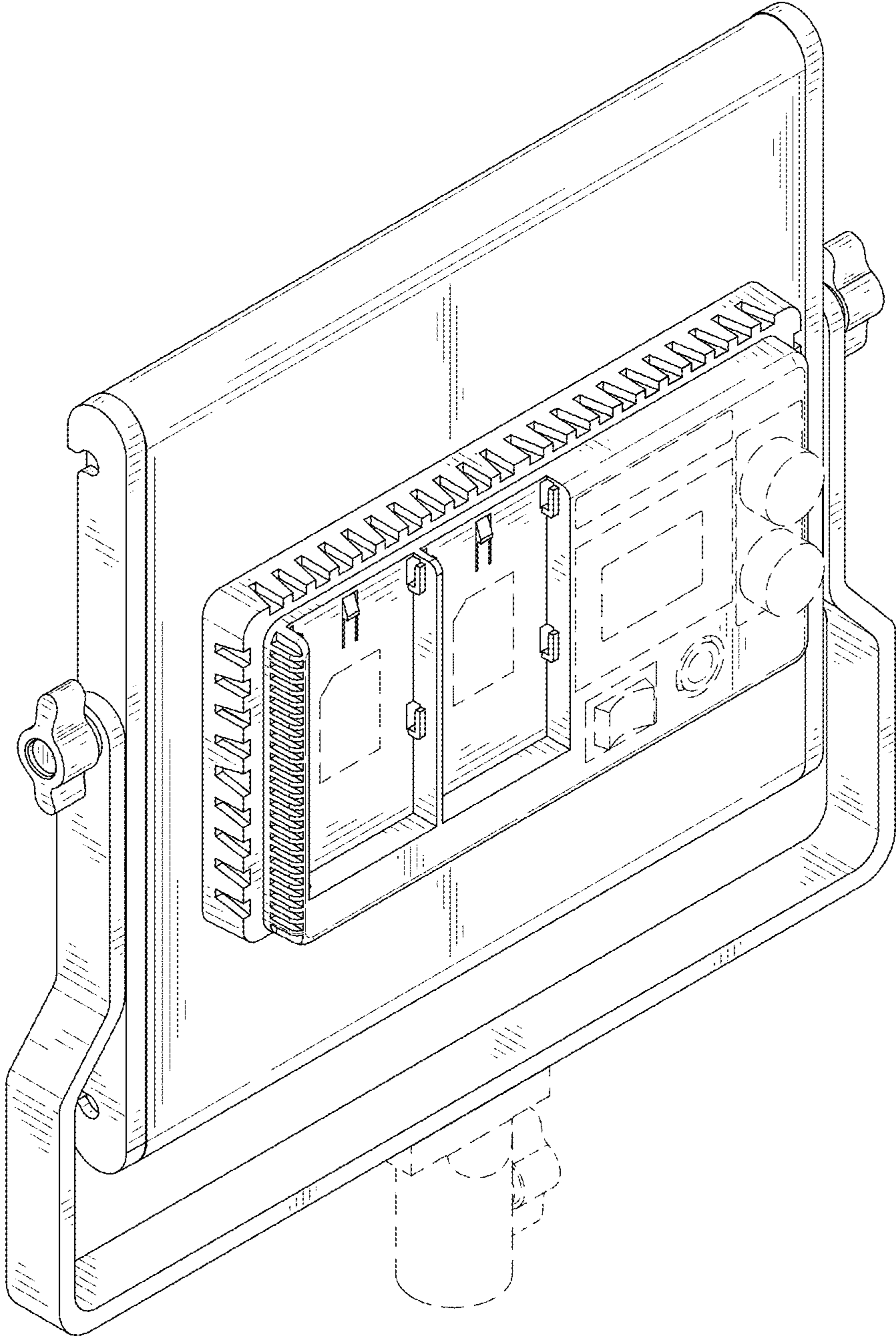


FIG. 2

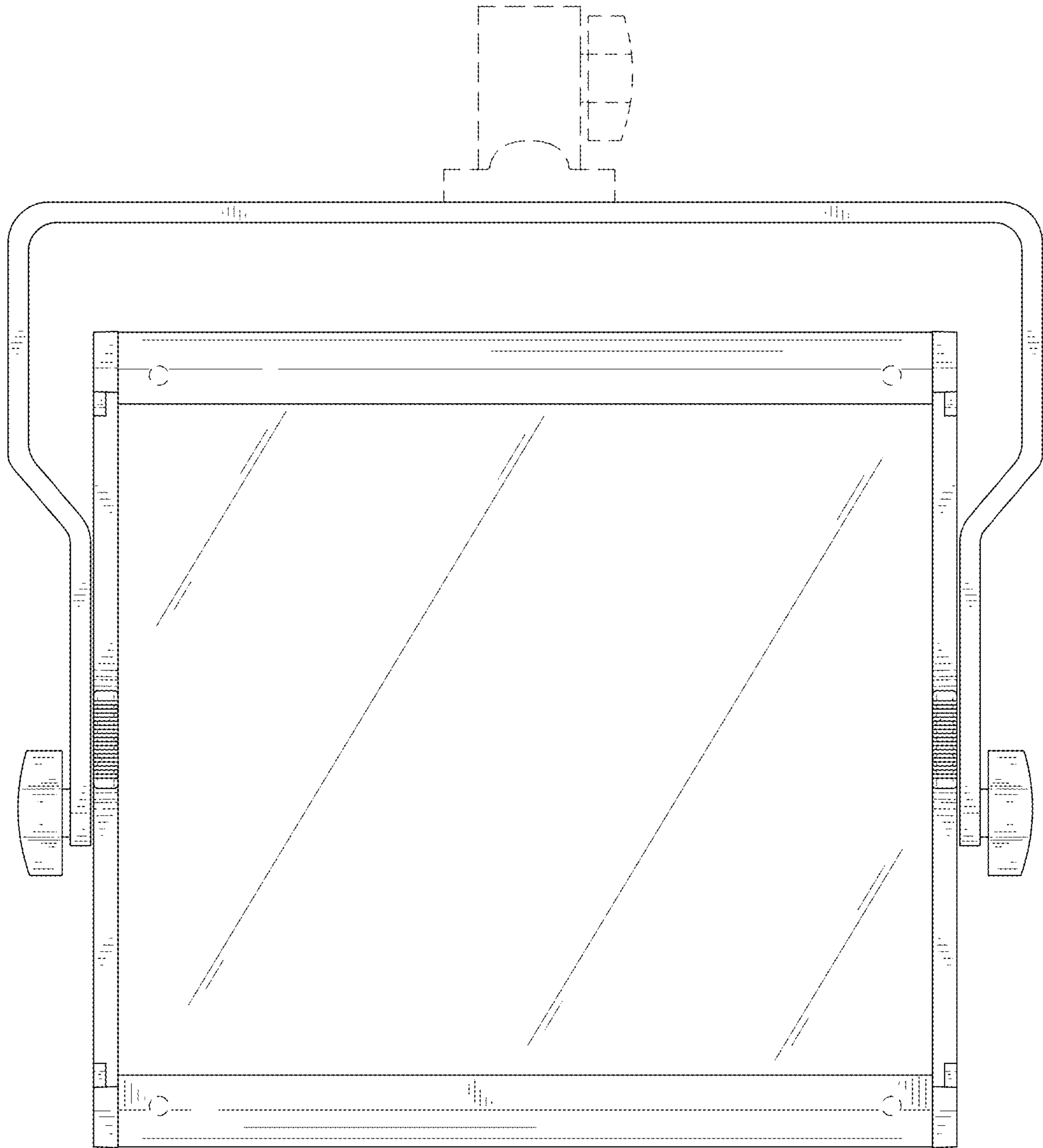


FIG. 3

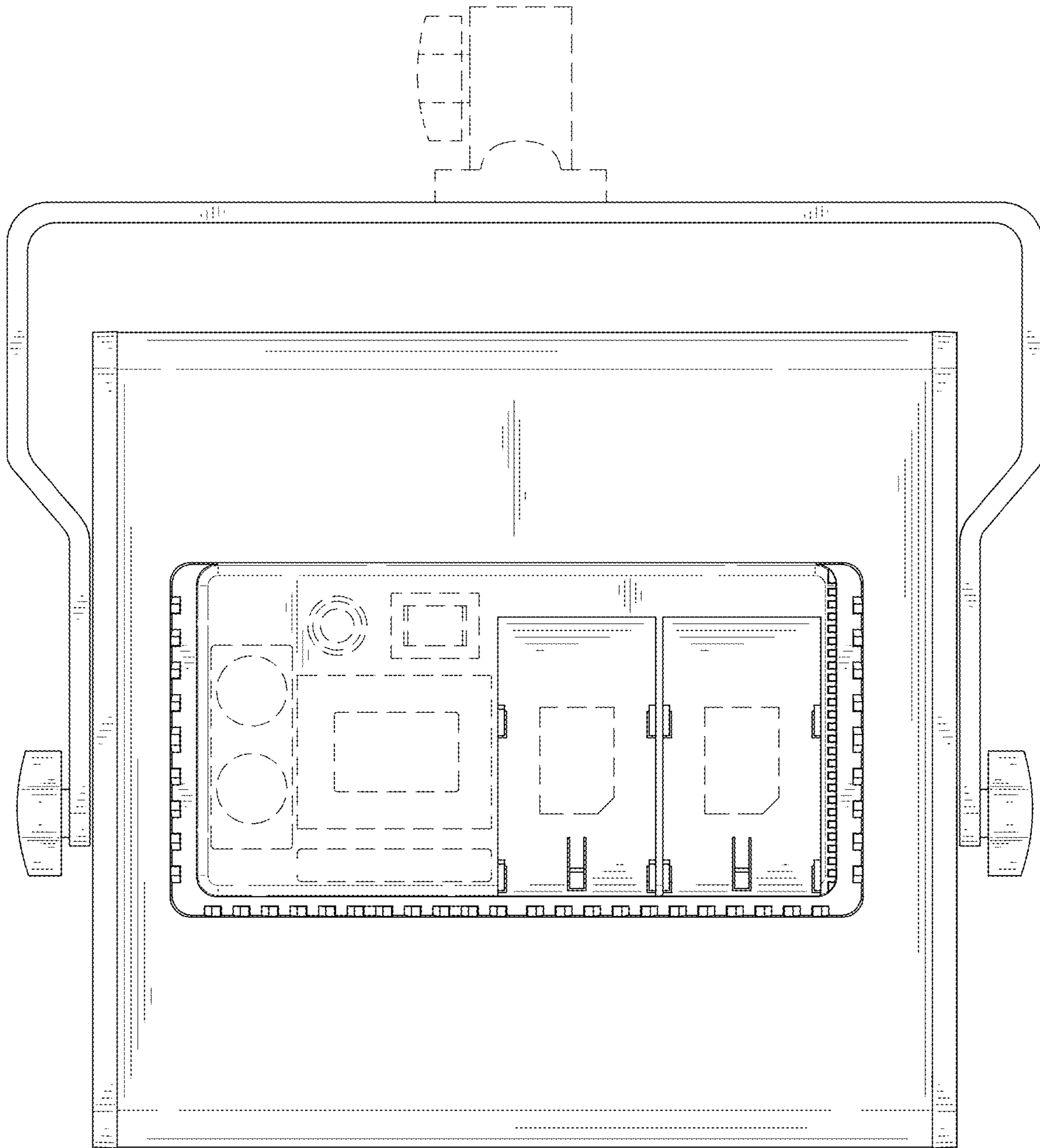


FIG. 4

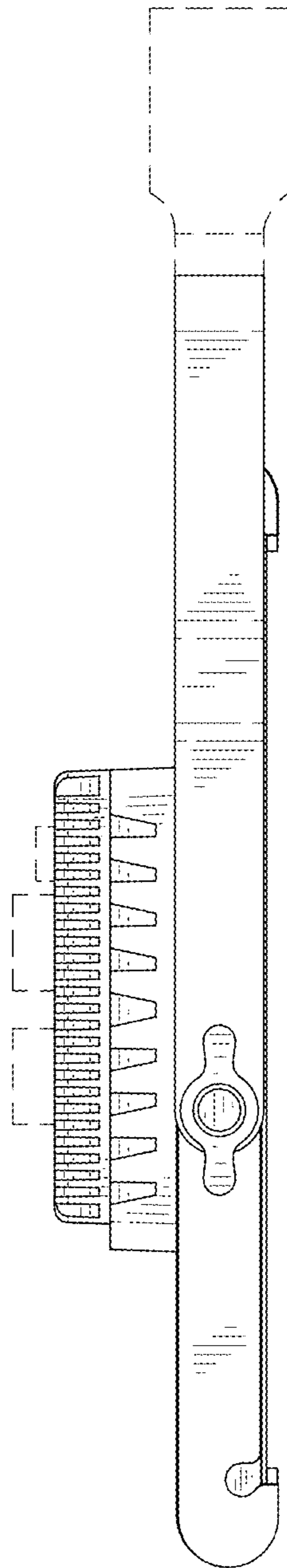


FIG. 5

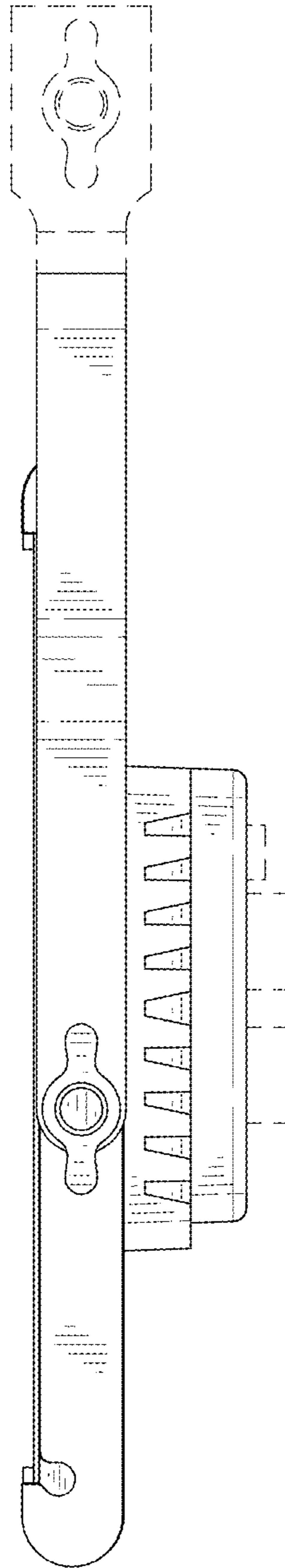


FIG. 6

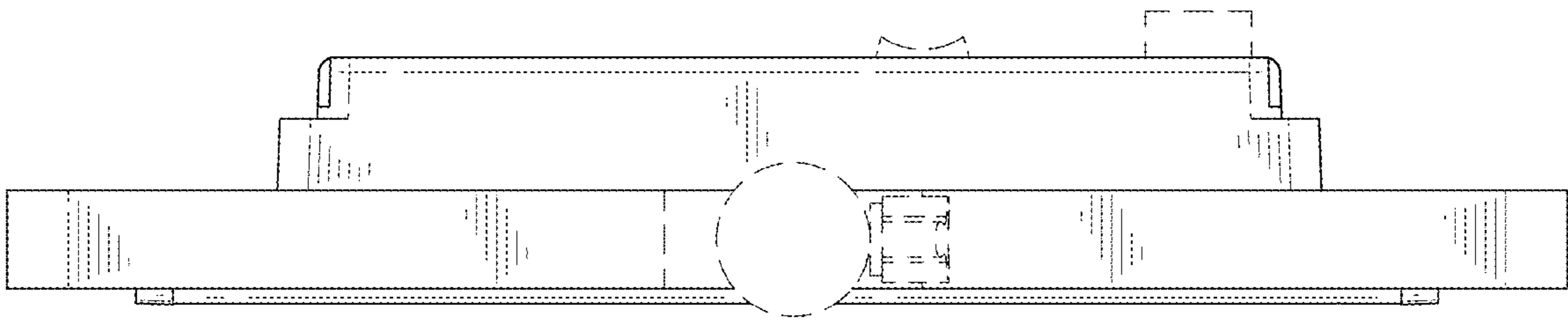


FIG. 7

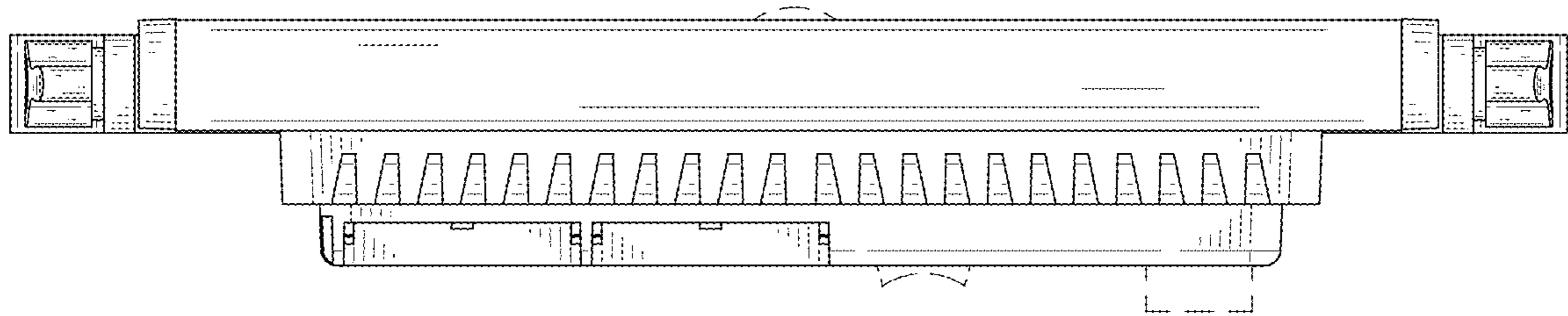


FIG. 8