



US00D884244S

(12) **United States Design Patent**
Wang

(10) **Patent No.:** **US D884,244 S**

(45) **Date of Patent:** **** May 12, 2020**

(54) **LED DEFORMABLE LIGHT**

(71) Applicant: **Qingyuan Wang**, Guangdong (CN)

(72) Inventor: **Qingyuan Wang**, Guangdong (CN)

(**) Term: **15 Years**

(21) Appl. No.: **29/720,144**

(22) Filed: **Jan. 10, 2020**

(51) **LOC (12) Cl.** **26-03**

(52) **U.S. Cl.**
USPC **D26/63; D26/2**

(58) **Field of Classification Search**
USPC D26/2, 24, 61, 63, 65, 72, 81, 83, 92
CPC .. F21S 8/036; F21S 8/038; F21S 8/043; F21S
8/081; F21S 8/083; F21S 8/085; F21S
8/086; F21S 8/088; F21S 13/10; F21S
9/03; F21S 9/035; F21S 9/037; F21S
10/063; F21S 6/003

See application file for complete search history.

(56) **References Cited**

U.S. PATENT DOCUMENTS

- 4,528,618 A * 7/1985 Bitsch F21S 6/003
362/220
- D357,993 S * 5/1995 Yuen D26/65
- D578,696 S * 10/2008 Wang D26/63
- D617,486 S 6/2010 Xiao et al.

- D650,937 S * 12/2011 Horsley D26/65
- D690,859 S * 10/2013 Mollaghaffari D26/63
- D770,657 S * 11/2016 Fang D26/63
- D822,868 S * 7/2018 Liu D26/63
- D861,926 S * 10/2019 Lin D26/2
- D870,943 S * 12/2019 Kuang D26/65

* cited by examiner

Primary Examiner — Brian N. Vinson

(74) *Attorney, Agent, or Firm* — ZanIP

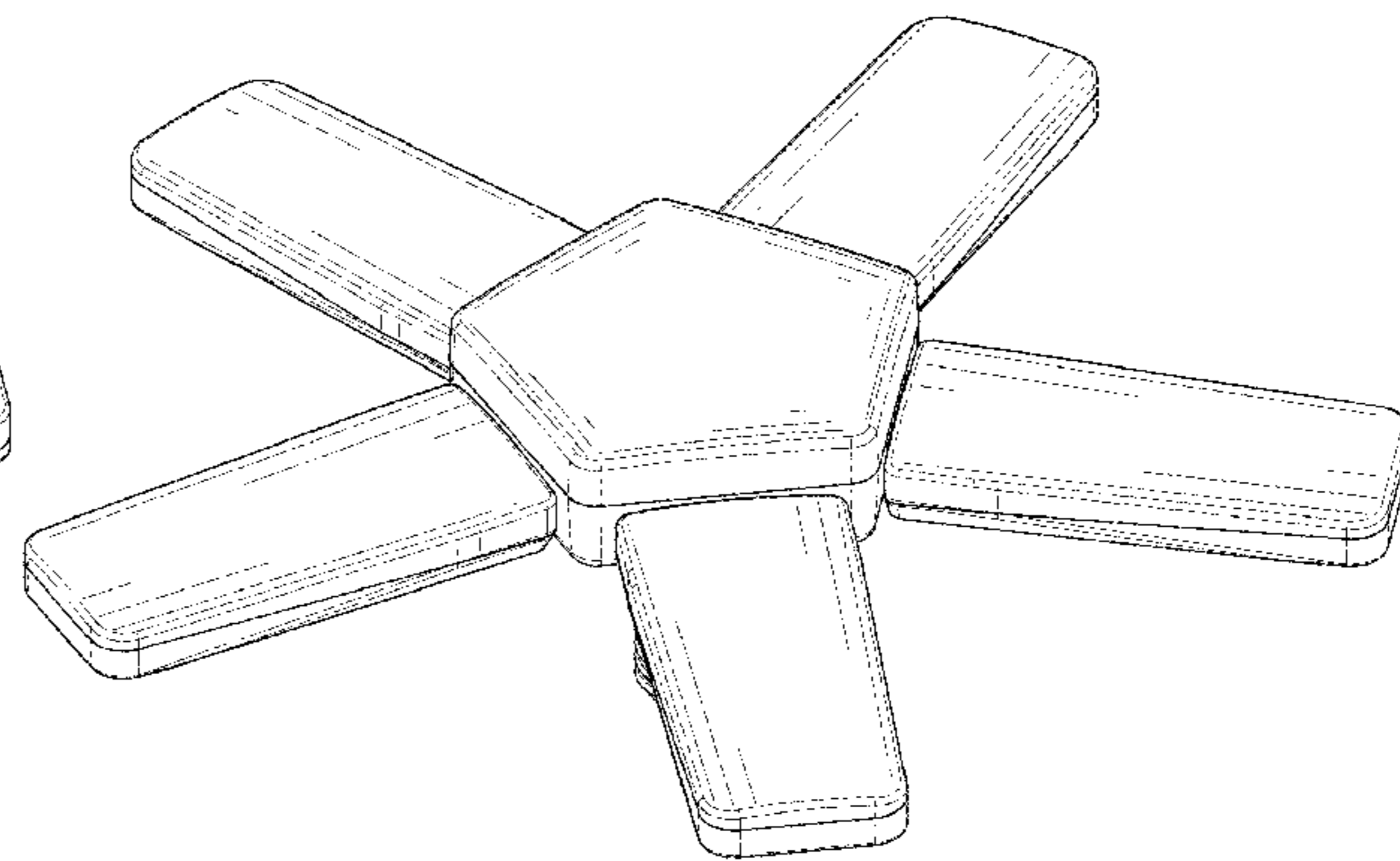
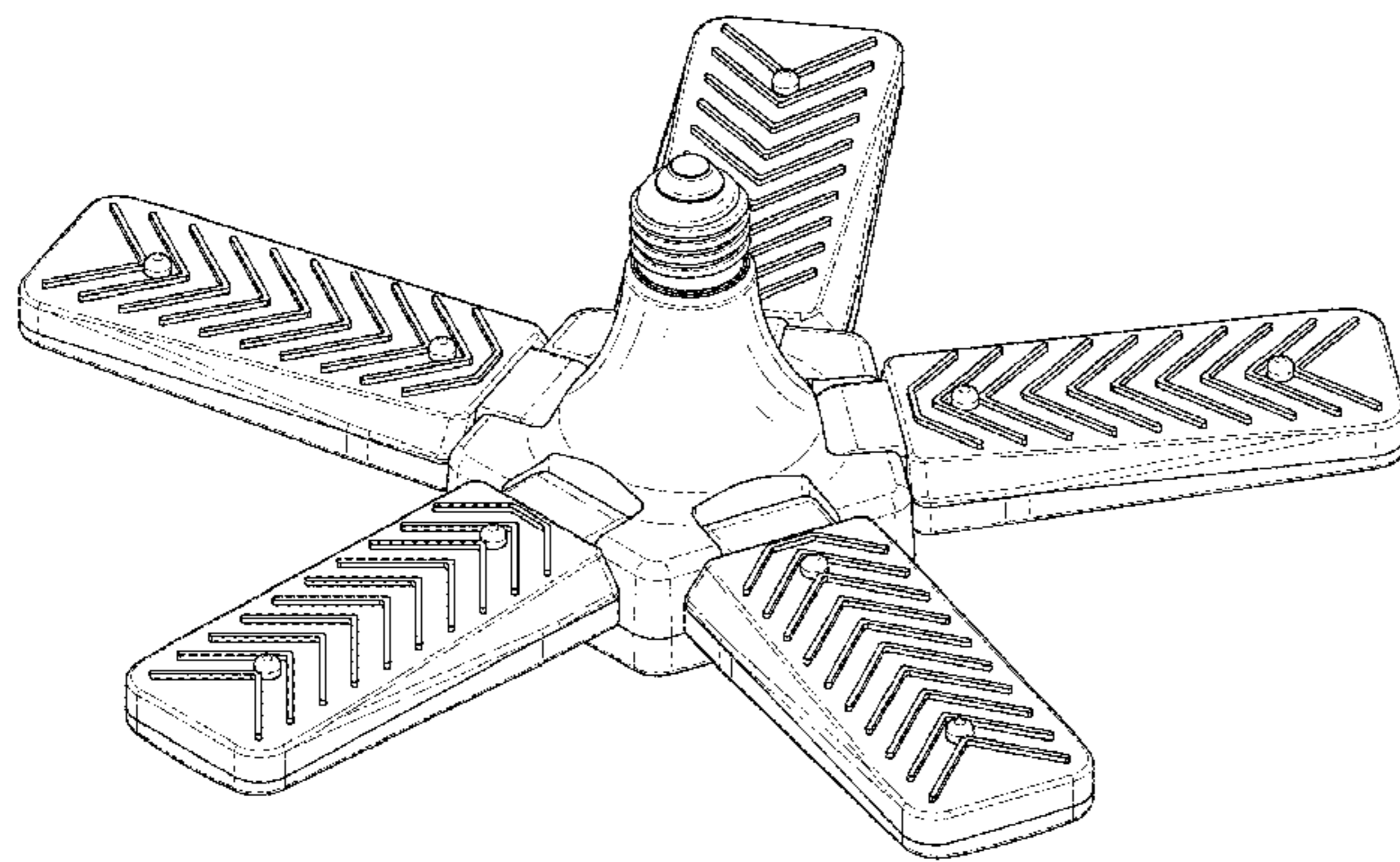
(57) **CLAIM**

The ornamental design for a LED deformable light, as shown and described.

DESCRIPTION

FIG. 1 is a front and top perspective view of a LED deformable light showing my new design;
 FIG. 2 is a rear and bottom perspective view thereof;
 FIG. 3 is a front elevational view thereof;
 FIG. 4 is a rear elevational view thereof;
 FIG. 5 is a left side elevational view thereof;
 FIG. 6 is a right side elevational view thereof;
 FIG. 7 is a top plan view thereof;
 FIG. 8 is a bottom plan view thereof; and,
 FIG. 9 is a perspective view thereof showing the LED deformable light in a folded position.

1 Claim, 9 Drawing Sheets



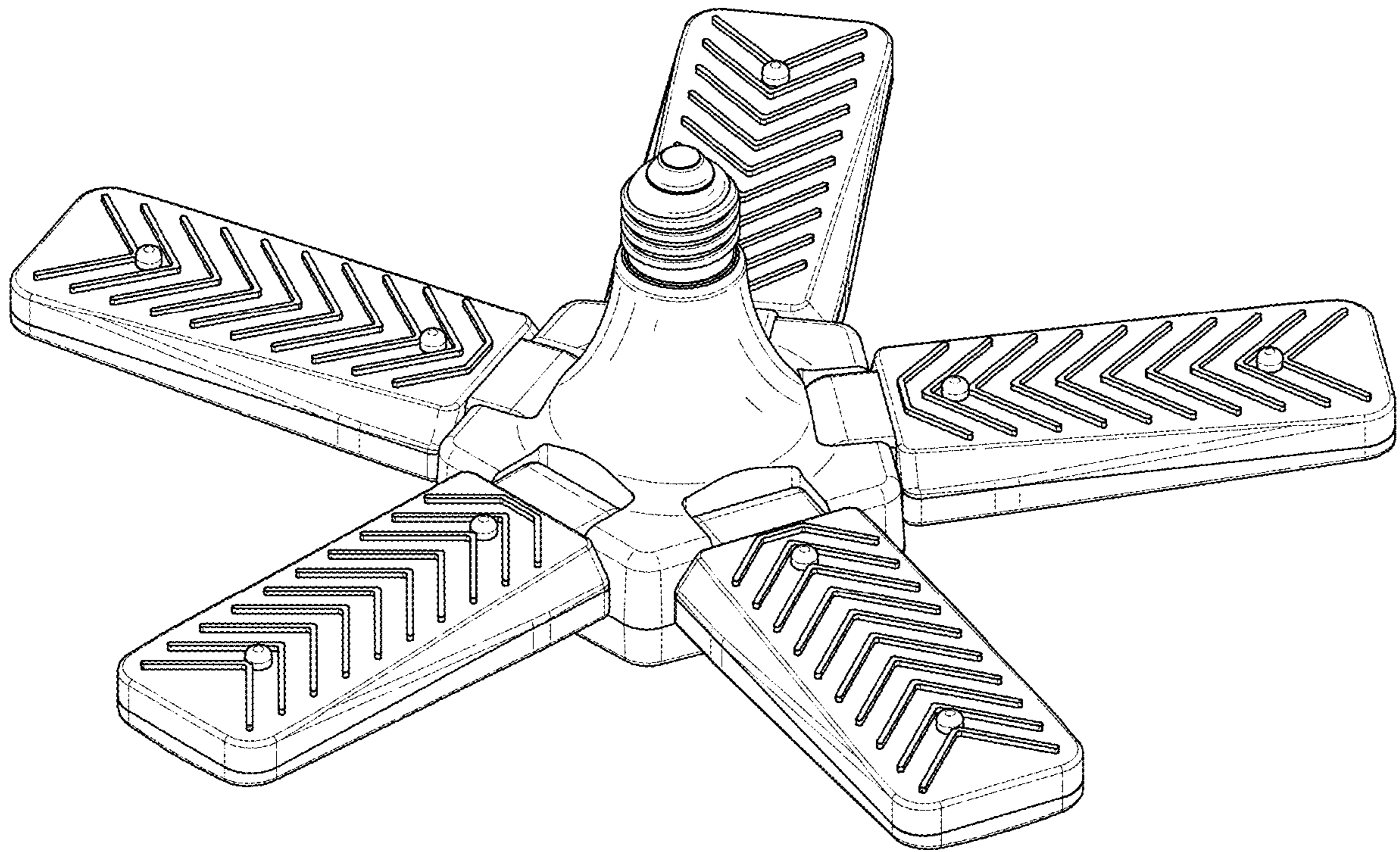


FIG. 1

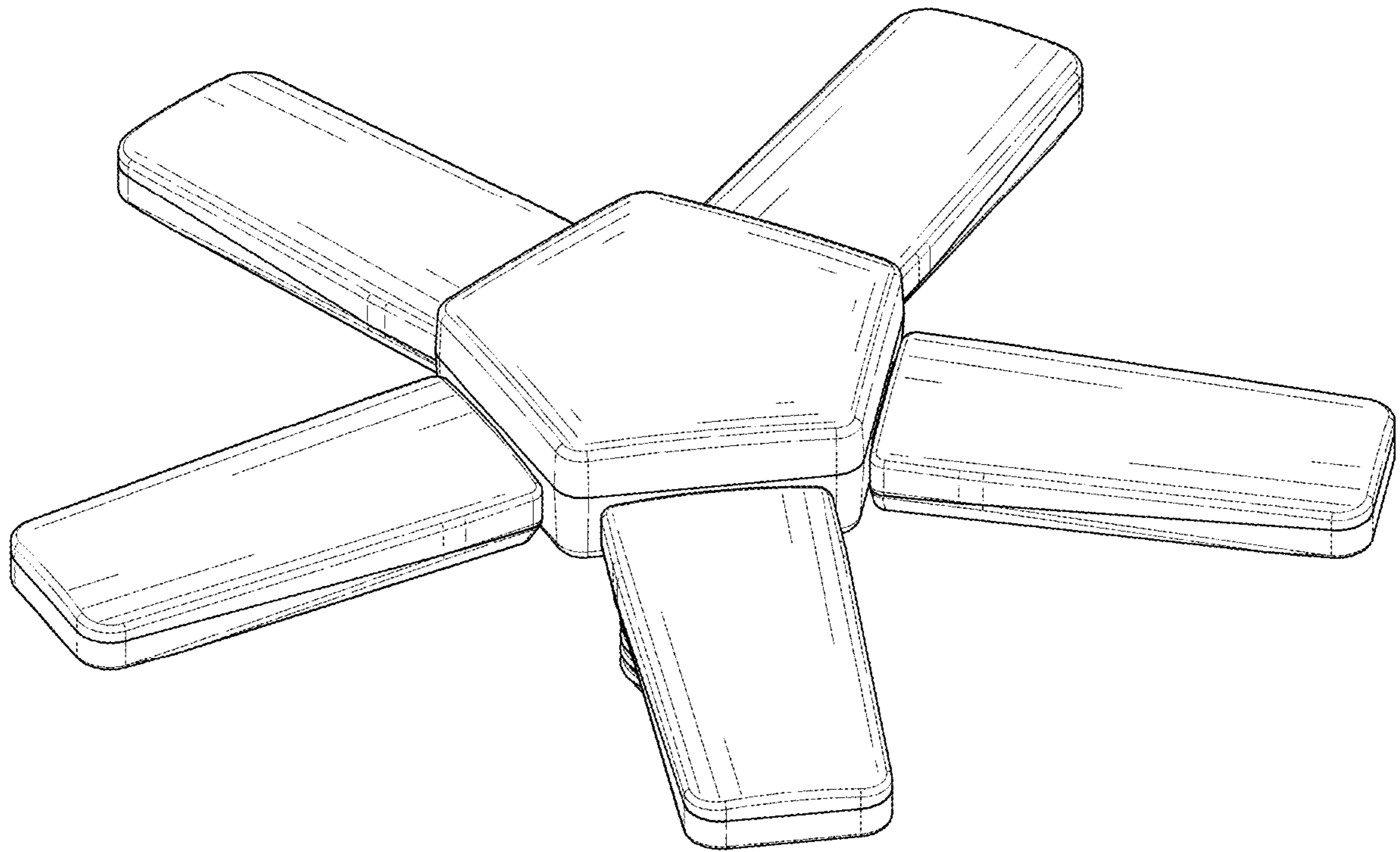


FIG. 2

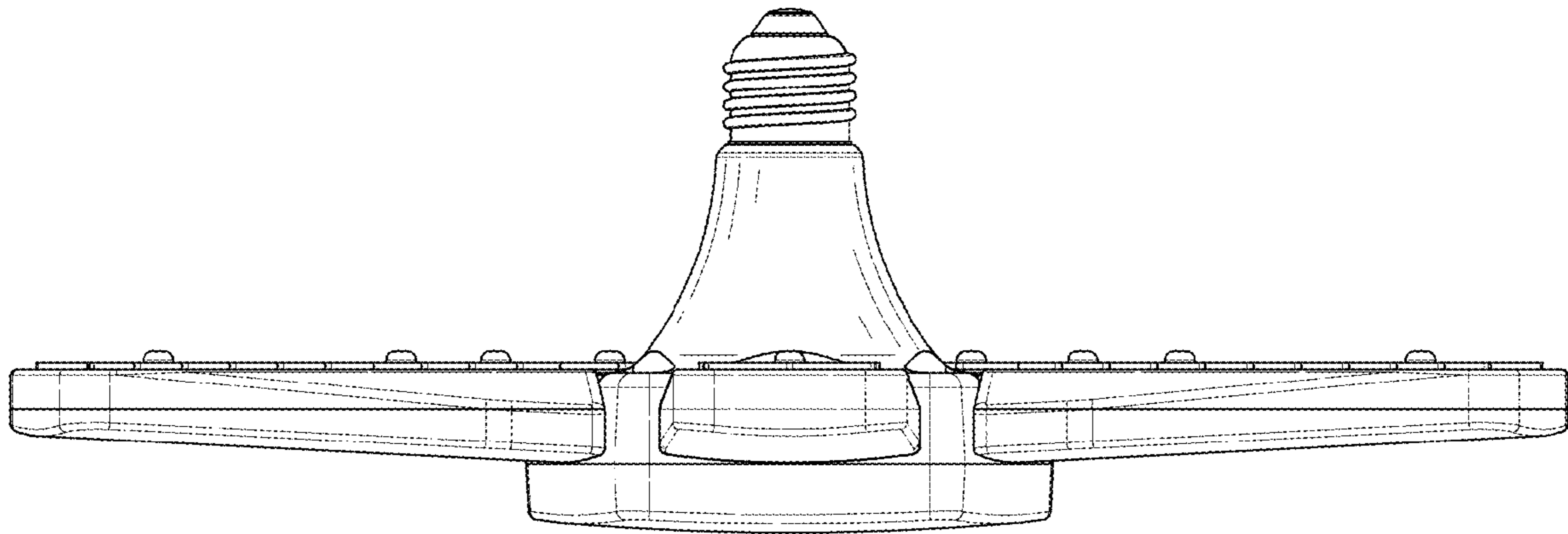


FIG. 3

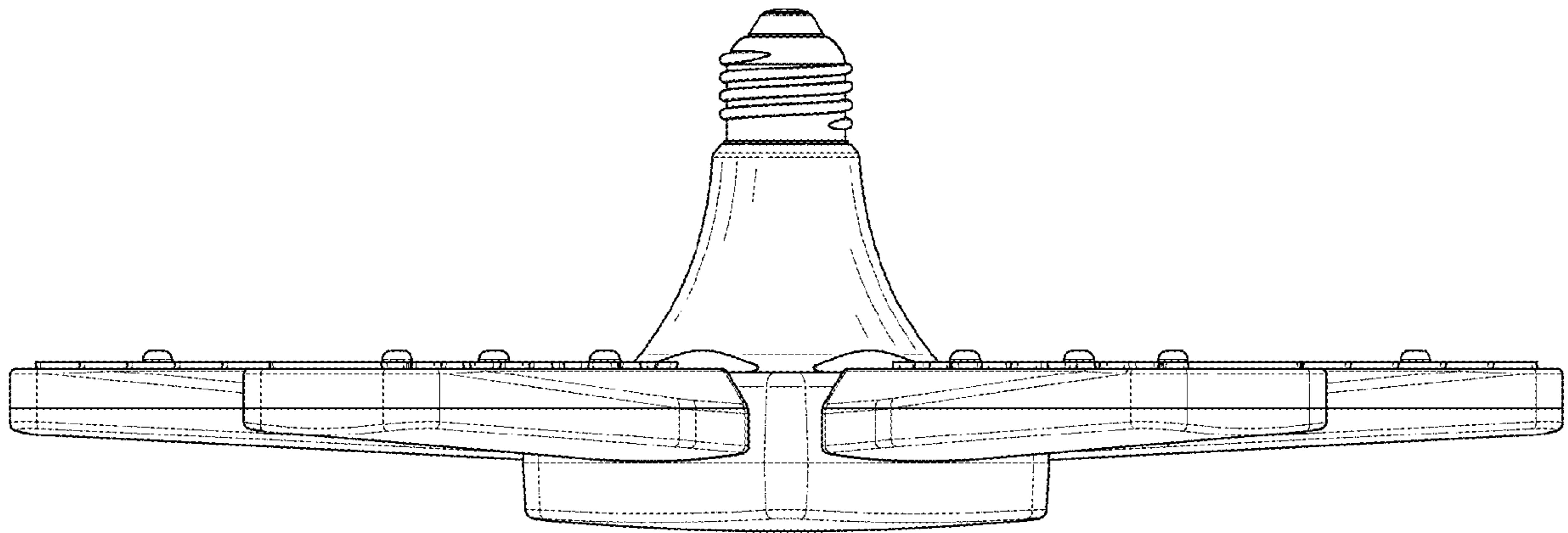


FIG. 4

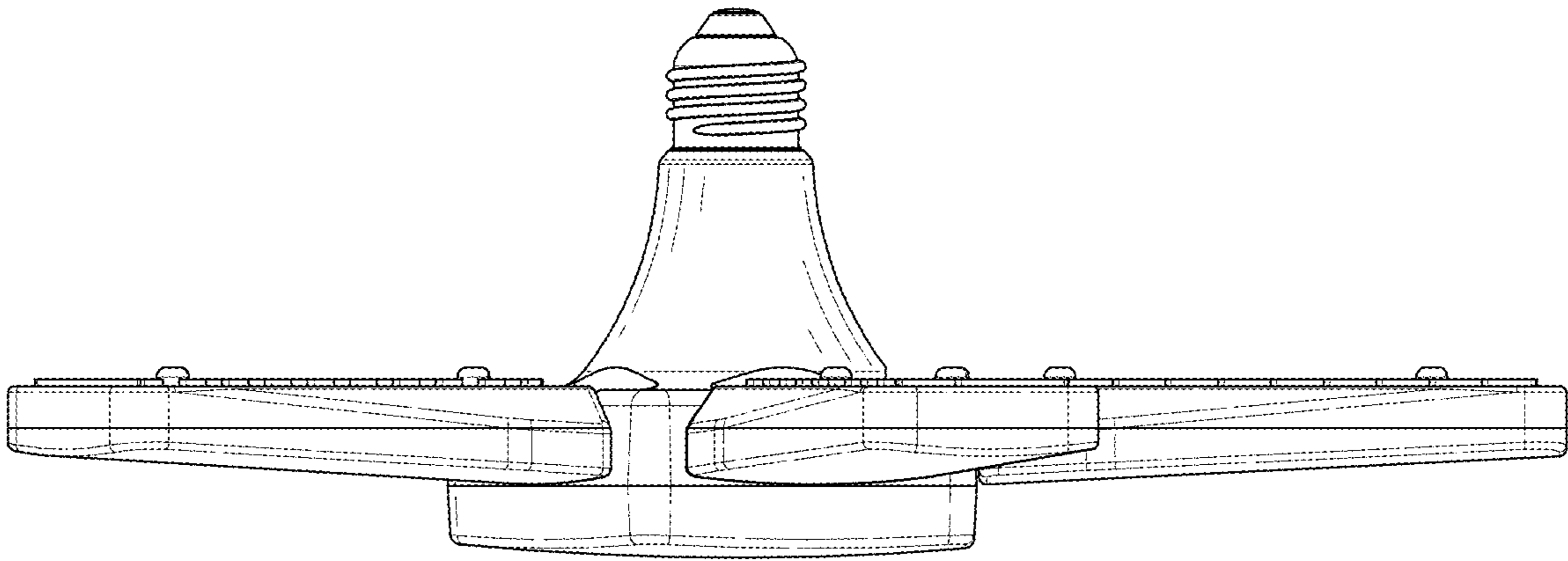


FIG. 5

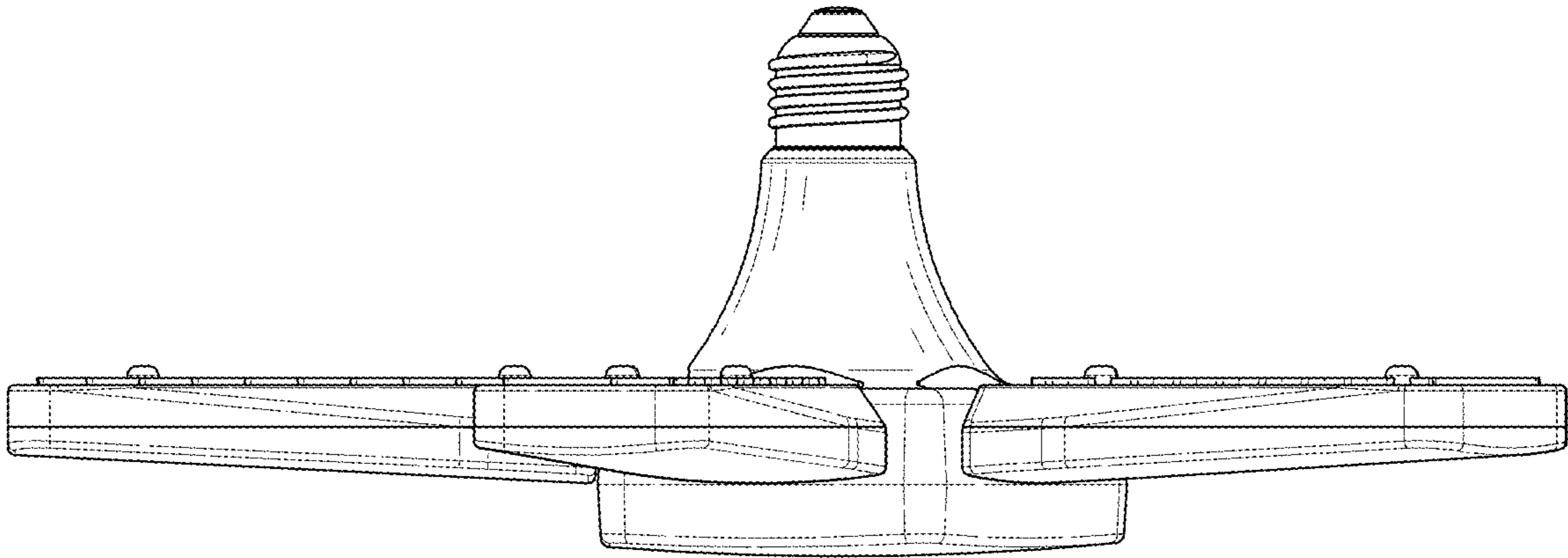


FIG. 6

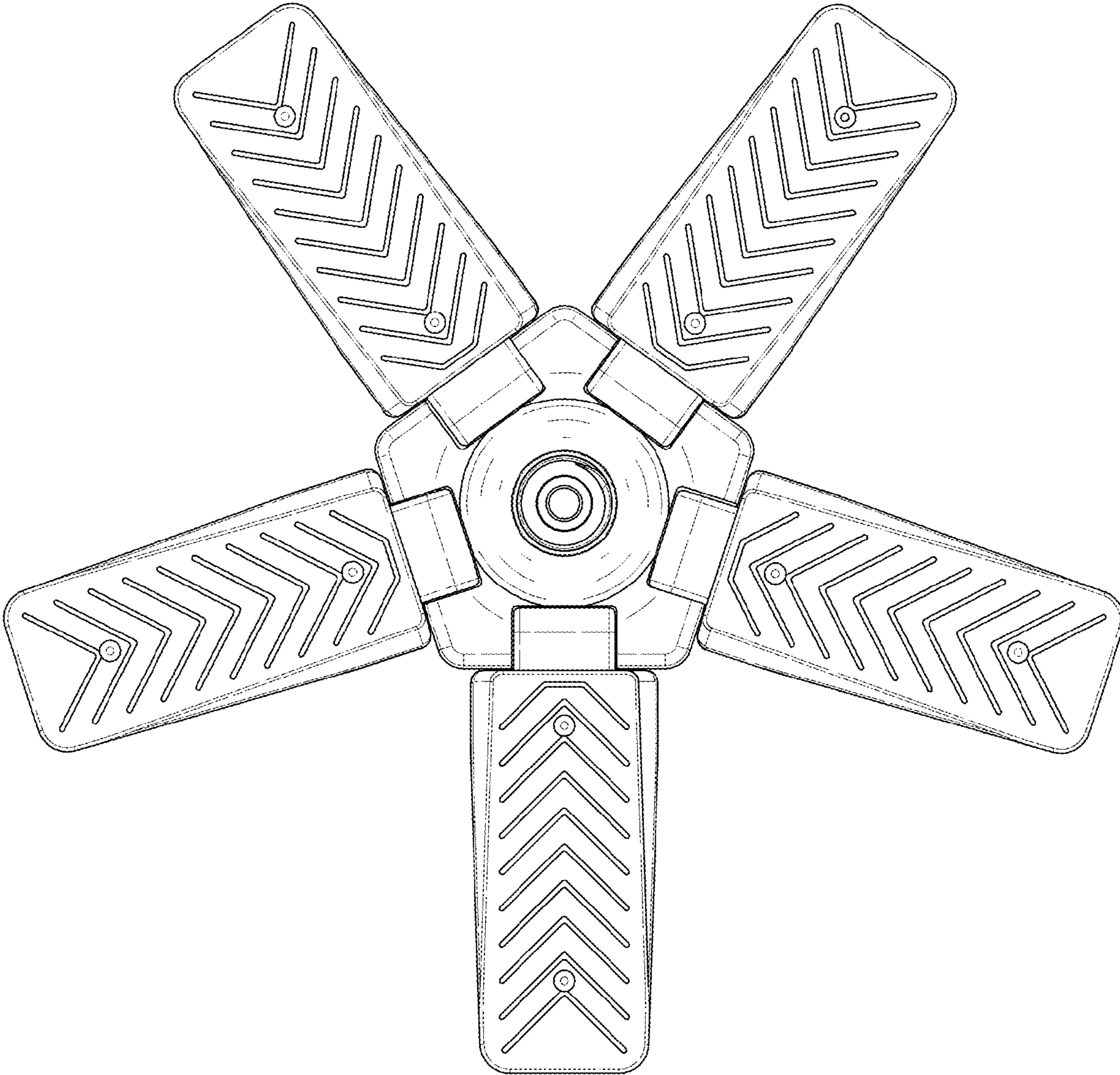


FIG. 7

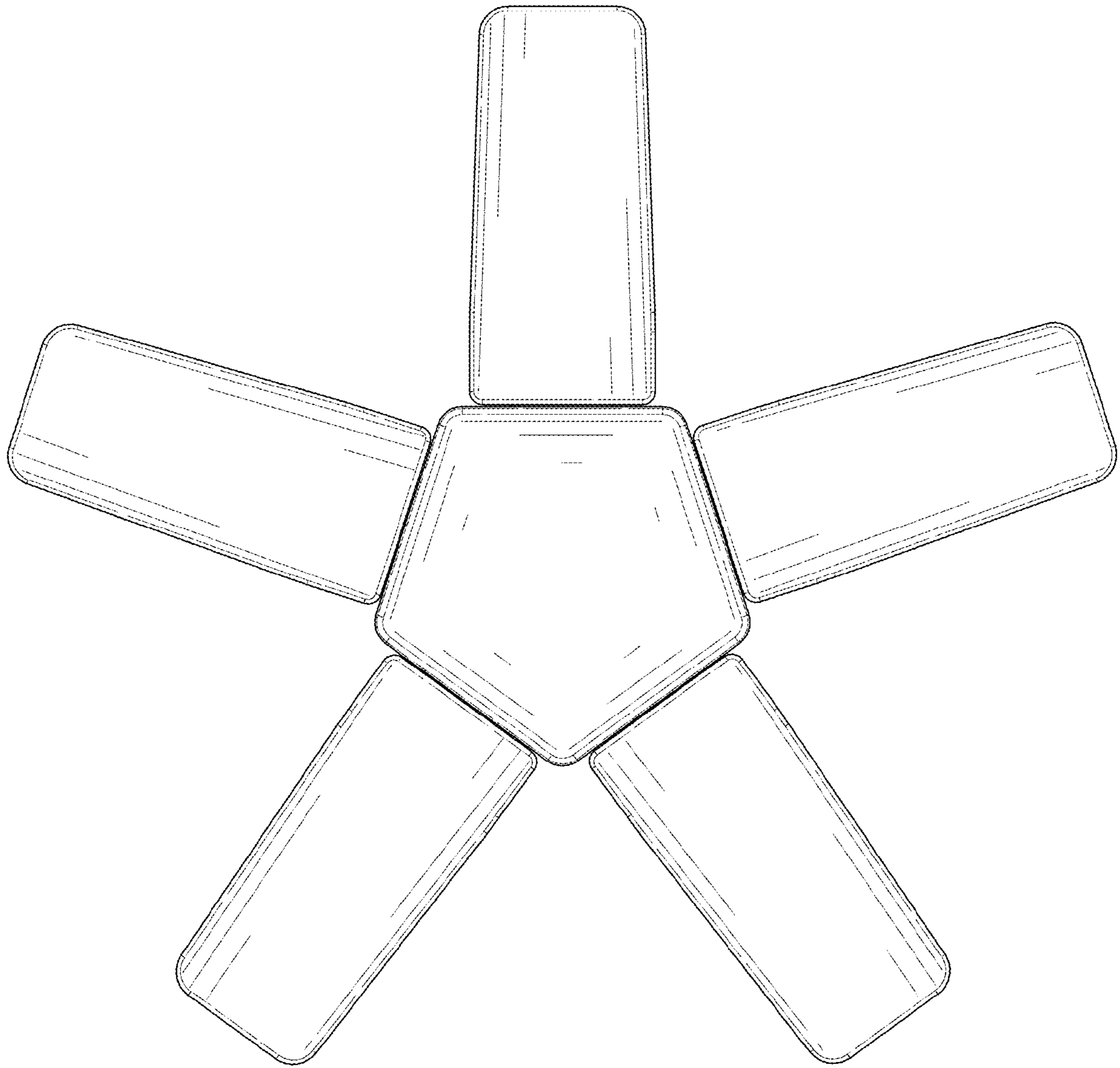


FIG. 8

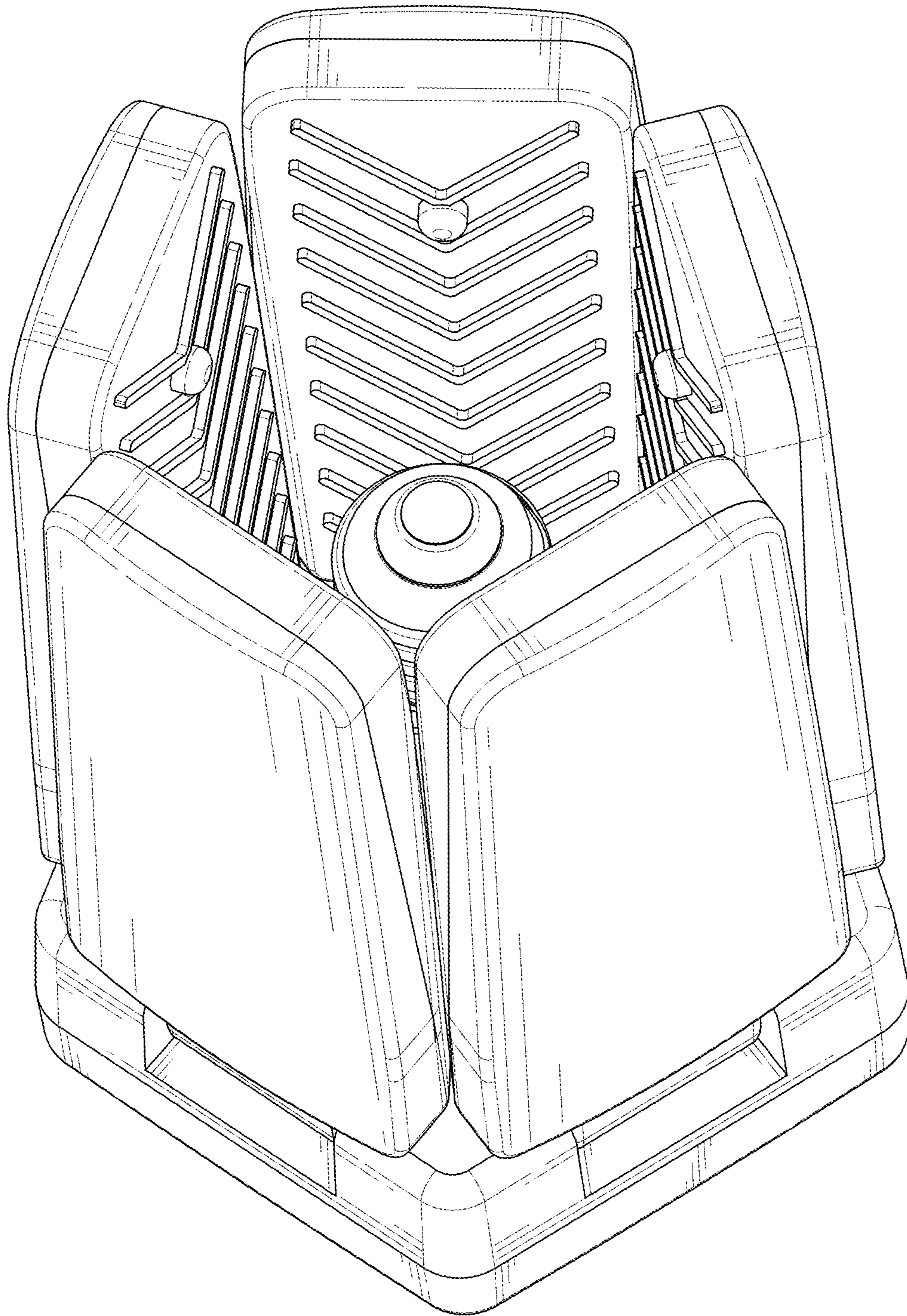


FIG. 9