



US00D884243S

(12) **United States Design Patent**
Li

(10) **Patent No.:** **US D884,243 S**

(45) **Date of Patent:** **** May 12, 2020**

(54) **WIRELESS MAGNETIC LAMP**

D838,025 S * 1/2019 Yu D26/63
D848,044 S * 5/2019 Zhu D26/63

(71) Applicant: **Teng Li**, Zhejiang (CN)

* cited by examiner

(72) Inventor: **Teng Li**, Zhejiang (CN)

Primary Examiner — Brian N. Vinson

(**) Term: **15 Years**

(21) Appl. No.: **29/674,408**

(57) **CLAIM**

(22) Filed: **Dec. 21, 2018**

The ornamental design for a wireless magnetic lamp, as shown and described.

(51) **LOC (12) Cl.** **26-03**

(52) **U.S. Cl.**
USPC **D26/63**

(58) **Field of Classification Search**
USPC D26/1, 24, 61, 63, 65, 85, 92
CPC F21V 21/14; F21V 15/01; F21V 14/02;
F21V 21/30; F21V 21/00; F21V 14/00;
F21S 8/00; F21S 8/003; F21S 8/043;
F21Y 2105/001

See application file for complete search history.

DESCRIPTION

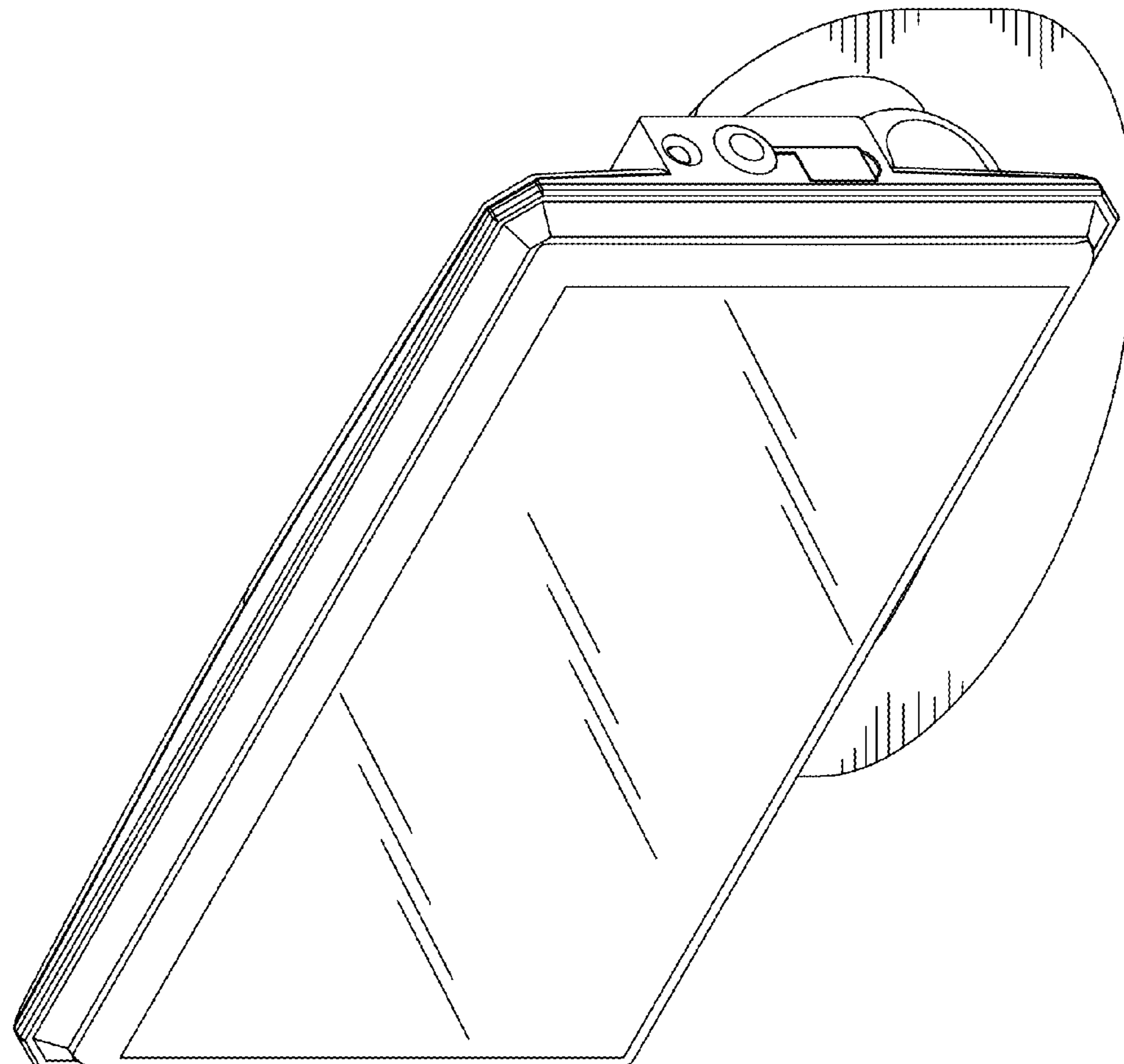
FIG. 1 is a perspective view of a wireless magnetic lamp showing my new design;
FIG. 2 is a front elevational view thereof;
FIG. 3 is a top plan view thereof;
FIG. 4 is a left side elevational view thereof;
FIG. 5 is a rear elevational view thereof;
FIG. 6 is a right side view thereof; and,
FIG. 7 is a bottom plan view thereof.

(56) **References Cited**

U.S. PATENT DOCUMENTS

D711,576 S * 8/2014 Zhan D26/63
D744,684 S * 12/2015 Guercio D26/63

1 Claim, 7 Drawing Sheets



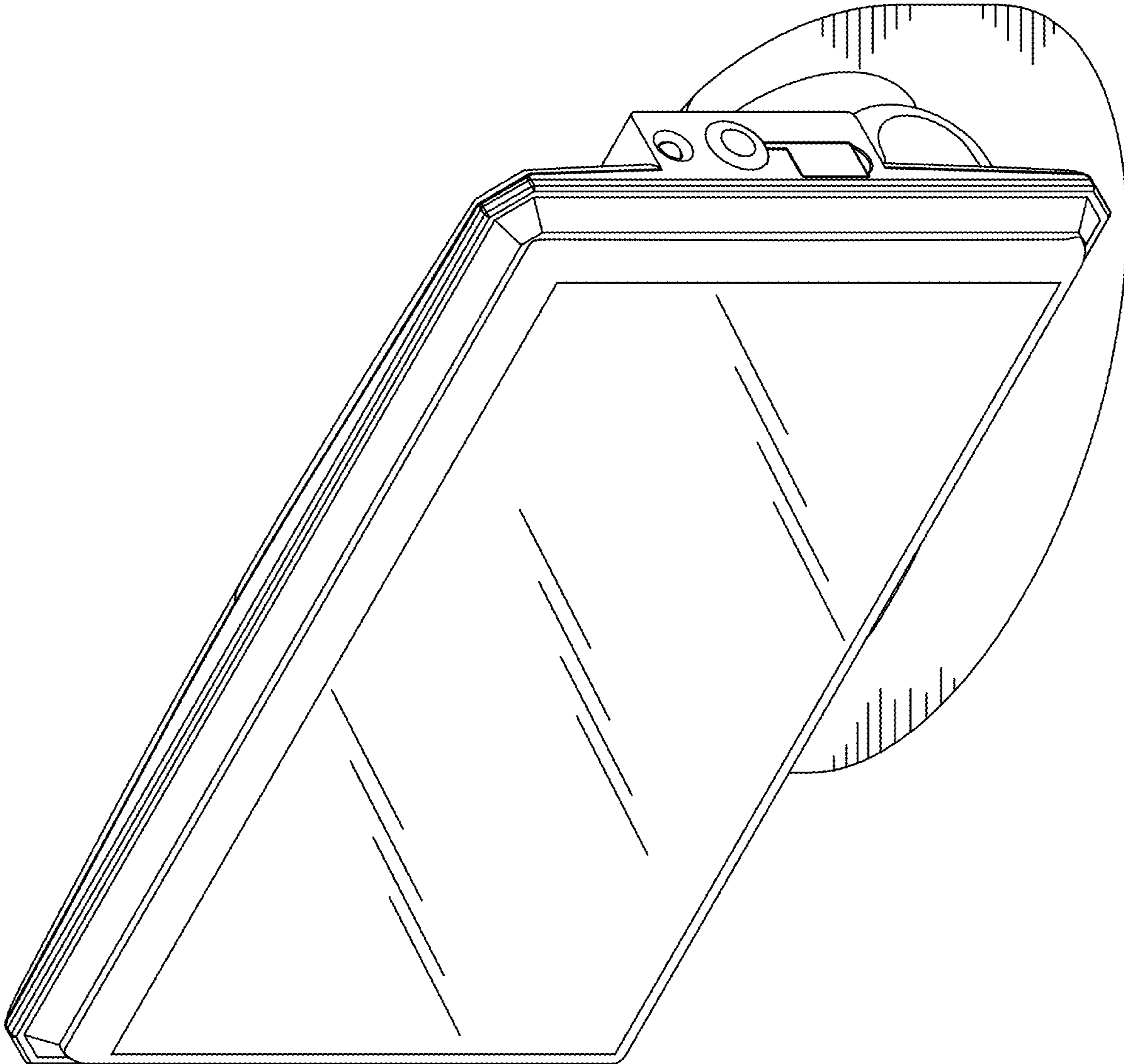


FIG. 1

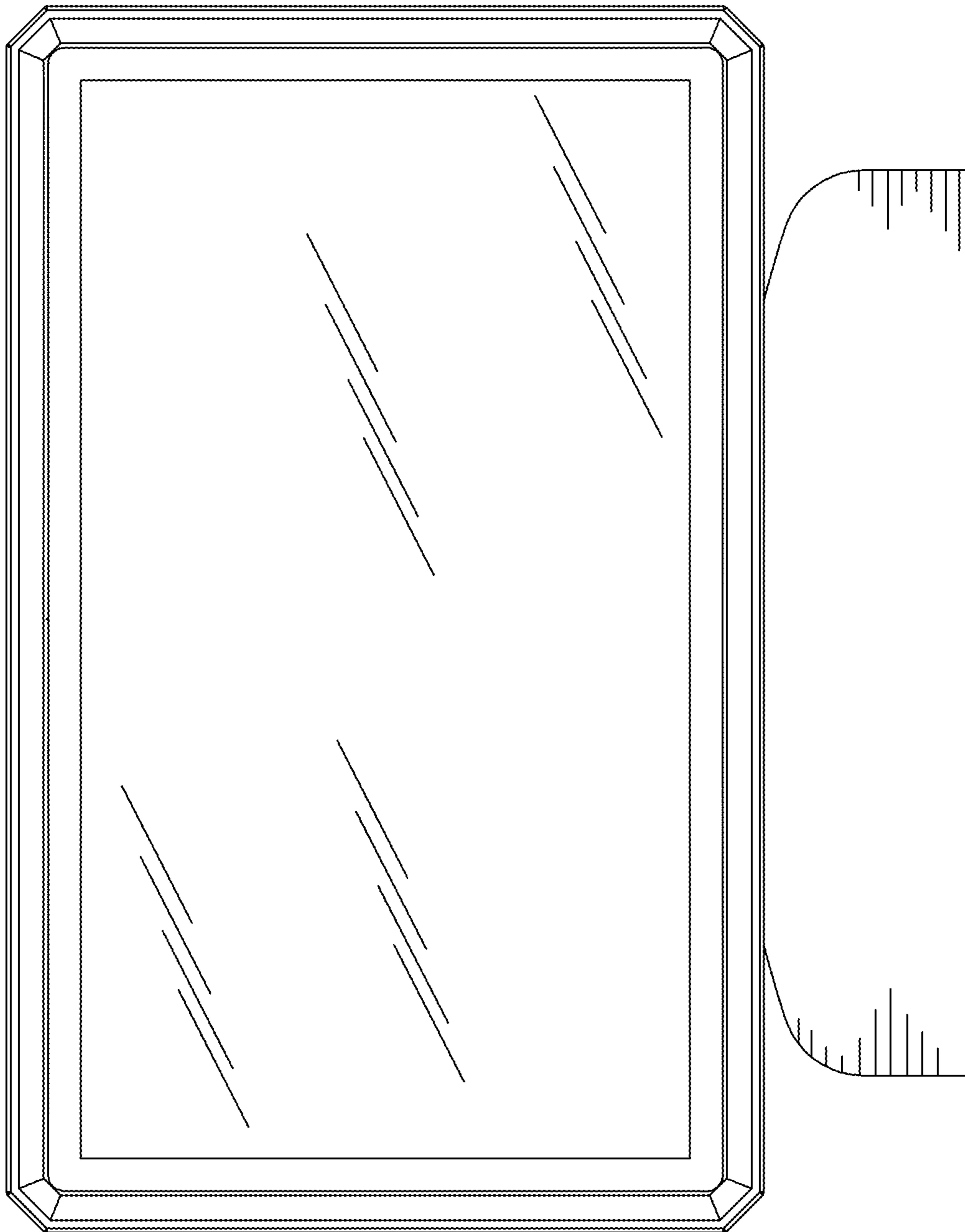


FIG. 2

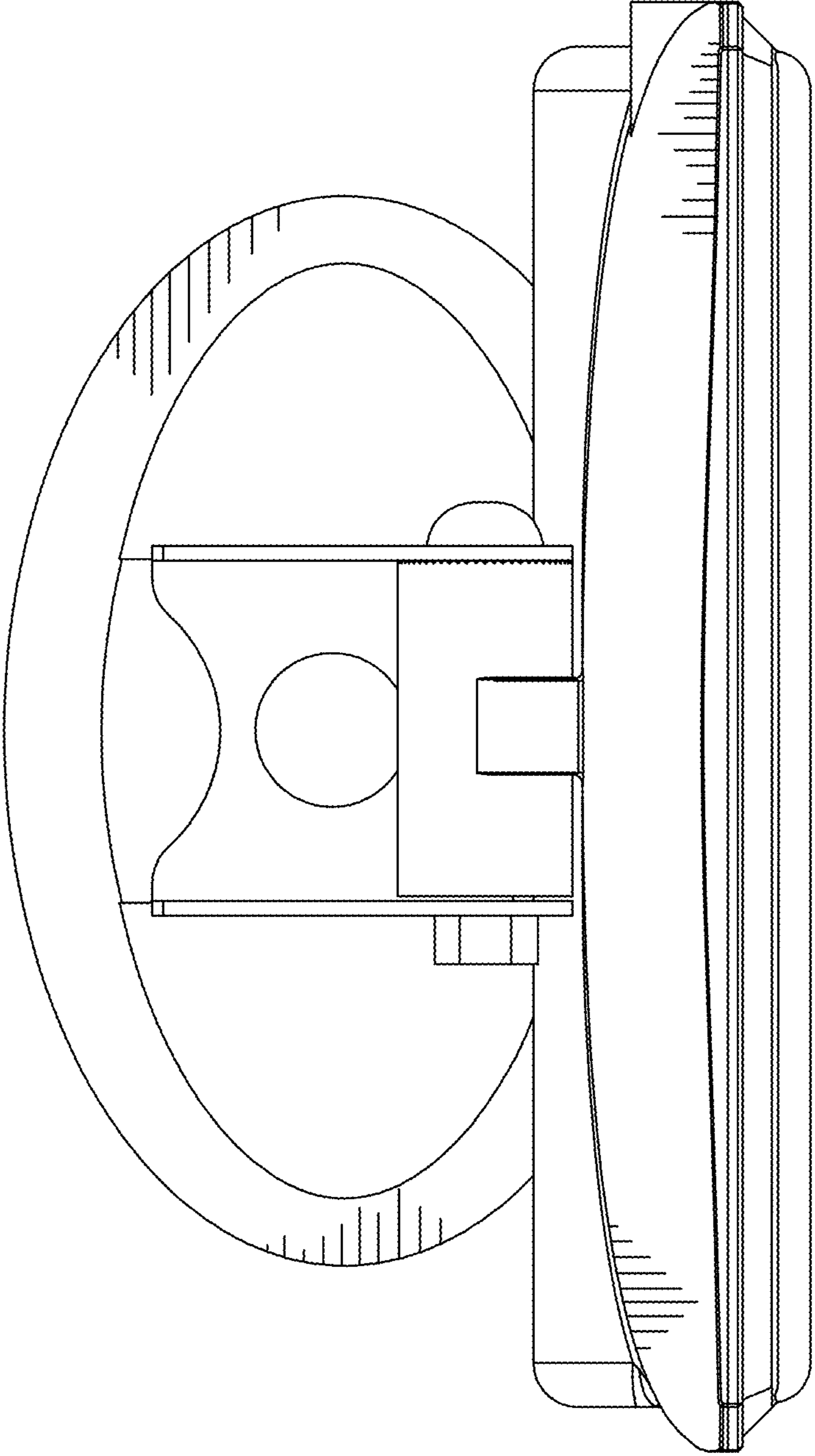


FIG. 3

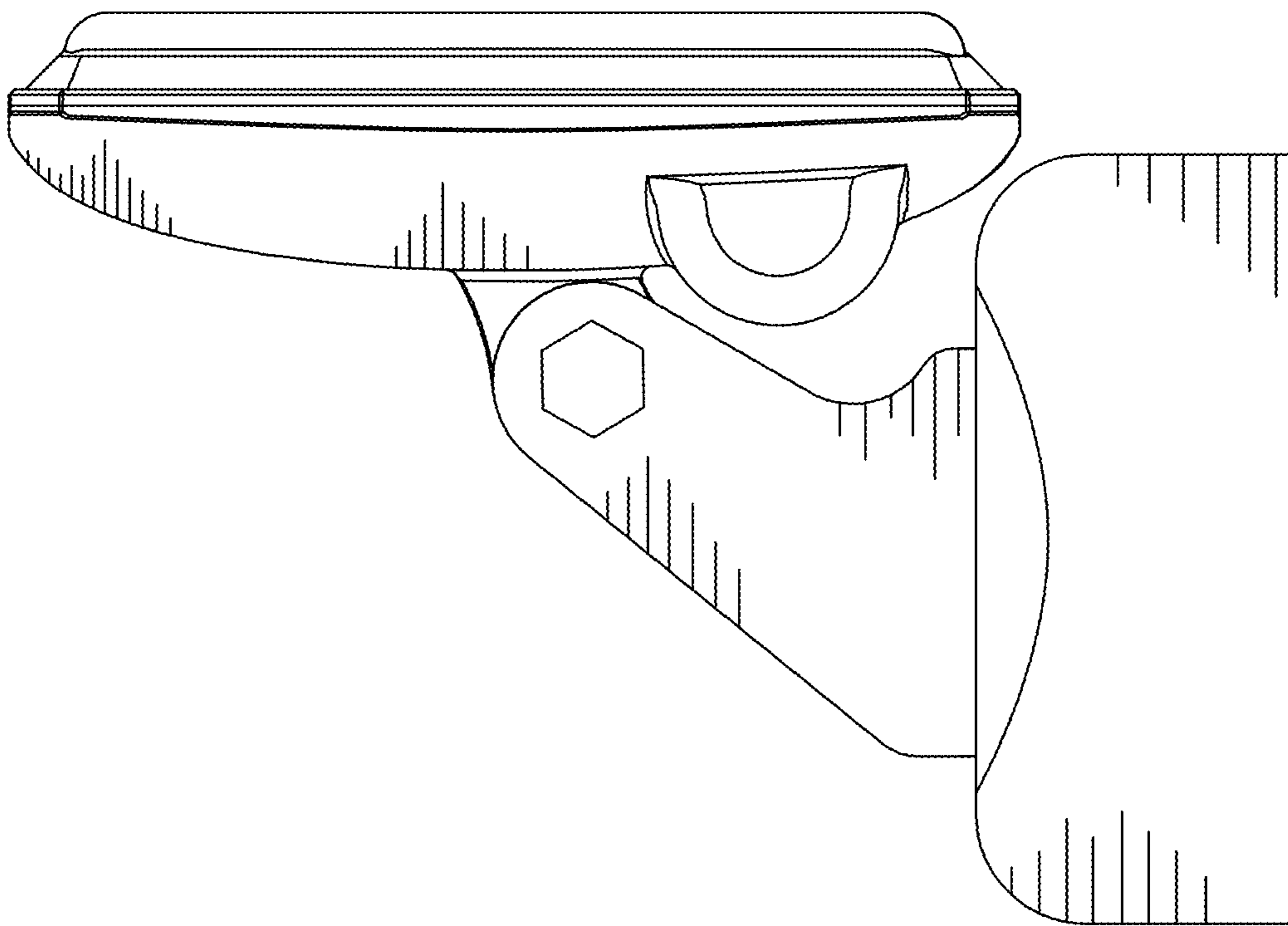


FIG. 4

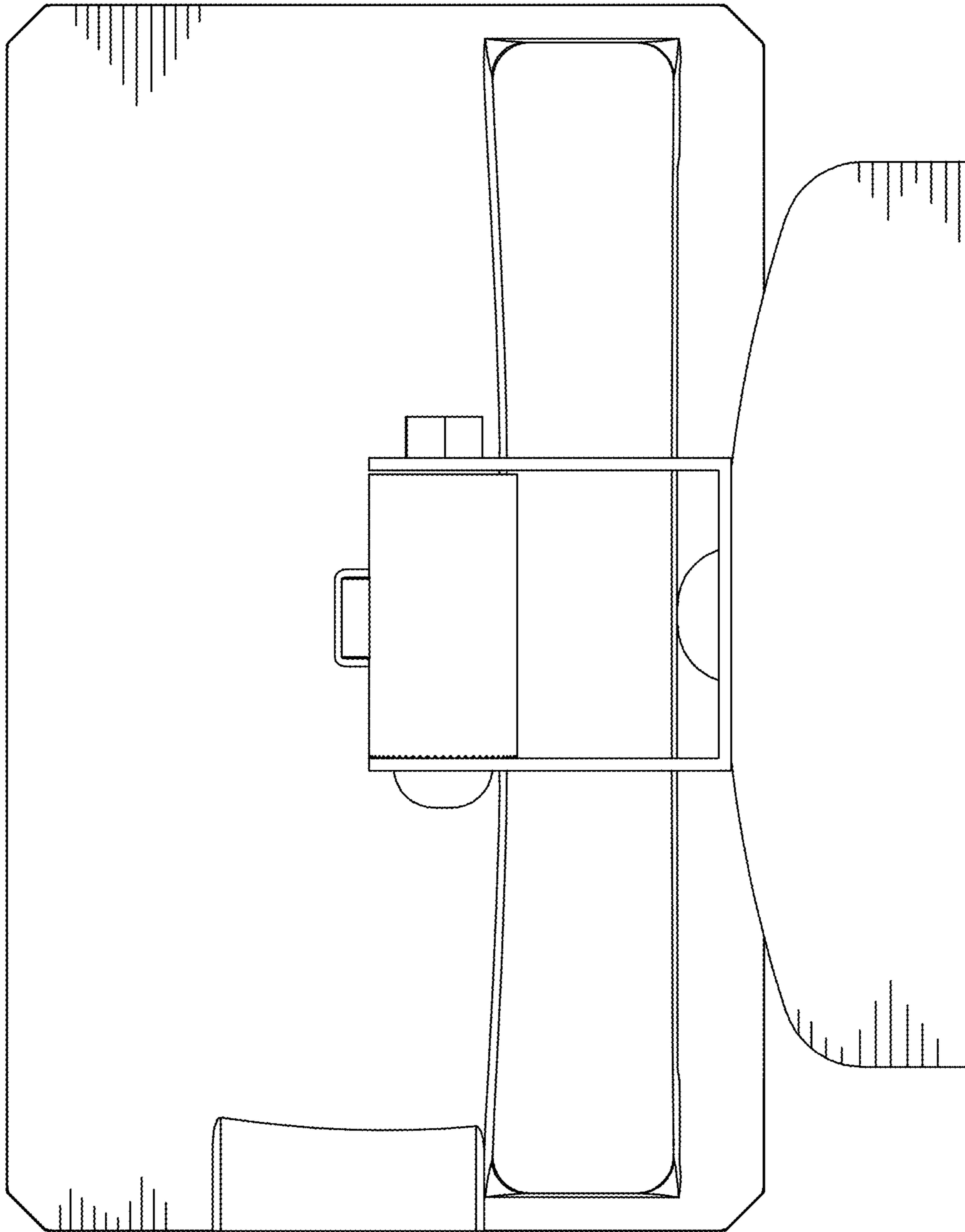


FIG. 5

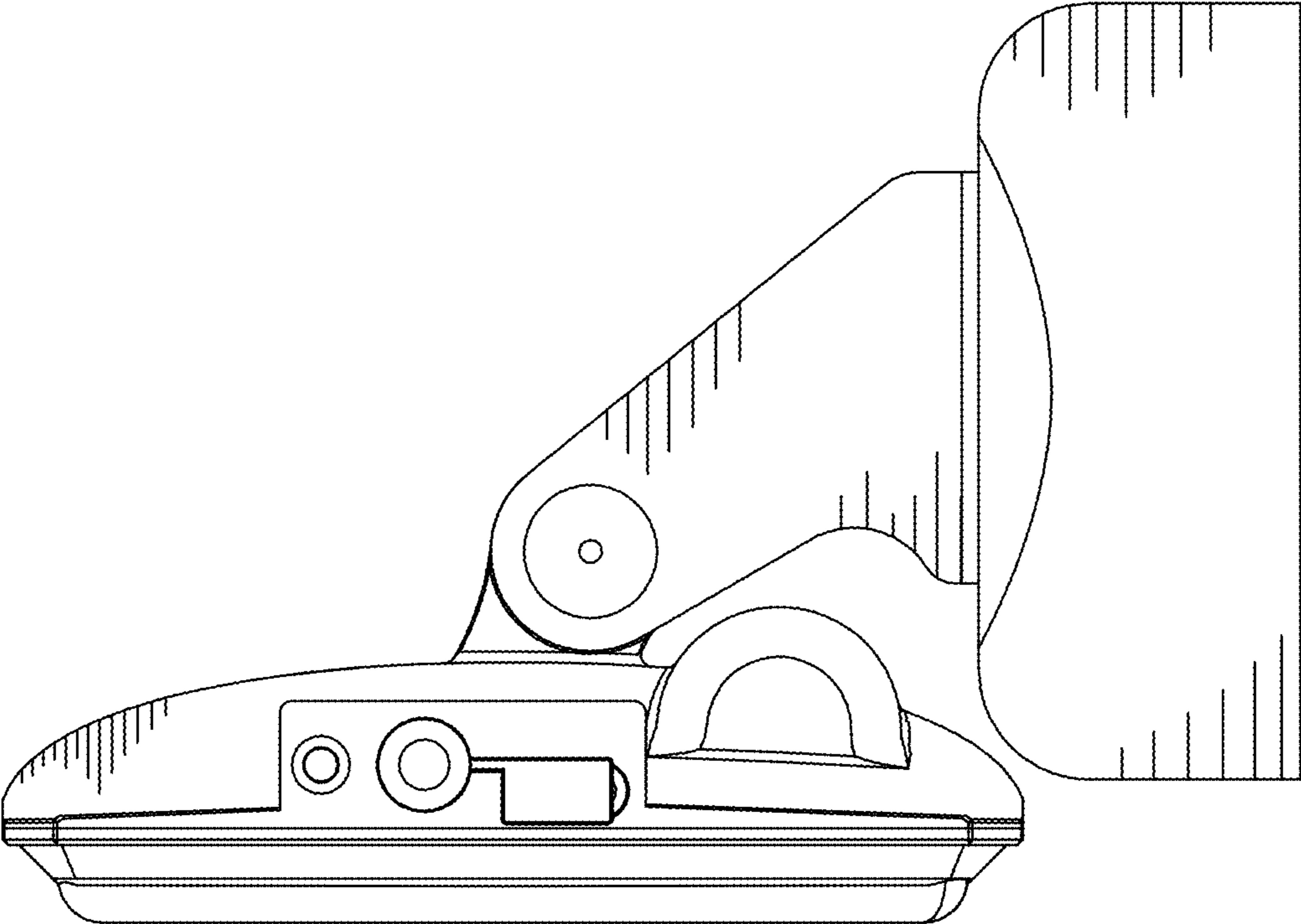


FIG. 6

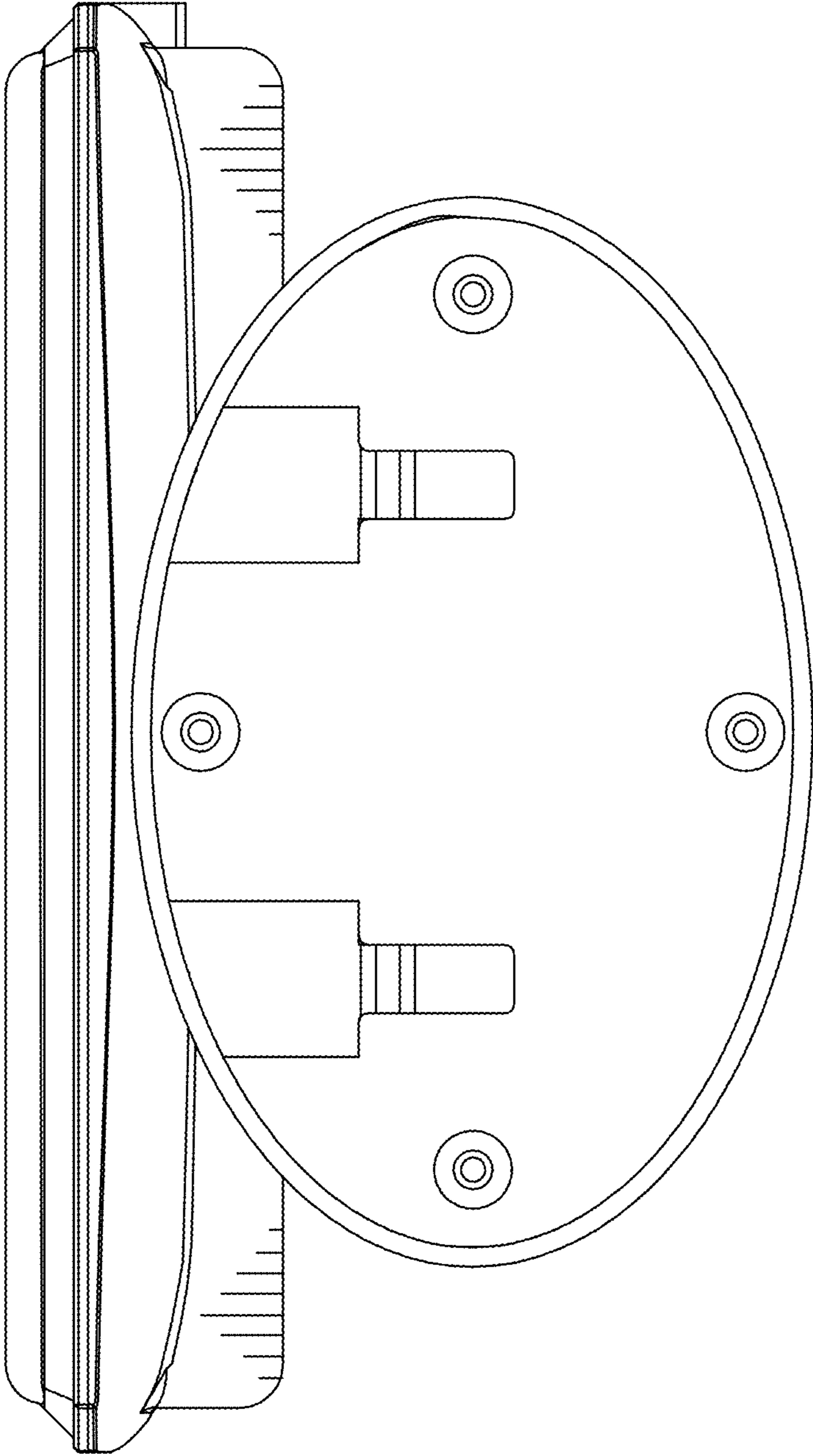


FIG. 7