



US00D884242S

(12) **United States Design Patent** (10) **Patent No.:** **US D884,242 S**
Gruendl et al. (45) **Date of Patent:** **** *May 12, 2020**

(54) **LUMINAIRE**

(71) Applicant: **ZUMTOBEL LIGHTING GMBH,**
Lemgo (DE)

(72) Inventors: **Harald Gruendl,** Vienna (AT); **Gernot Bohmann,** Vienna (AT); **Martin Bergmann,** Vienna (AT)

(73) Assignee: **ZUMTOBEL LIGHTING GMBH,**
Dornbirn (AU)

(*) Notice: This patent is subject to a terminal disclaimer.

(**) Term: **15 Years**

(21) Appl. No.: **29/663,406**

(22) Filed: **Sep. 14, 2018**

(30) **Foreign Application Priority Data**

Mar. 16, 2018 (EM) 004 761 583

(51) **LOC (12) Cl.** **26-05**

(52) **U.S. Cl.**
USPC **D26/63**

(58) **Field of Classification Search**
USPC D26/24, 44, 63, 69, 72, 74, 76, 80, 86,
D26/88, 102, 110, 119; 362/233,
362/236-244, 431
CPC F21V 21/00; F21V 21/02; F21V 21/06;
F21V 21/005; F21V 21/30; F21V 15/01;
F21V 15/04; F21V 15/12; F21X 2131/10;
F21X 2131/017; F21X 2131/101; F21X
2131/105; F21X 2131/406; F21X
2131/407; F21S 8/00; F21S 8/02; F21S
8/03; F21S 8/04; F21S 8/026; F21S
8/033; F21S 8/035; F21S 8/036; F21S
8/037

See application file for complete search history.

(56) **References Cited**

U.S. PATENT DOCUMENTS

D264,254 S *	5/1982	Heritage	D26/63
D285,360 S *	8/1986	Joosten	D26/85
D526,735 S *	8/2006	Targetti	D26/63
D593,695 S *	6/2009	Levine	D26/42
D650,504 S *	12/2011	Kim	D26/63
D698,972 S *	2/2014	Guzzini	D26/74
D699,385 S *	2/2014	Guzzini	D26/74
D736,444 S *	8/2015	Boudewyns	D26/63
D775,393 S *	12/2016	Adams	D26/63
D785,219 S *	4/2017	Swai	D26/63
D788,345 S *	5/2017	Salomon	D26/74

(Continued)

Primary Examiner — Wan Laymon

Assistant Examiner — Clint A Samuel

(74) *Attorney, Agent, or Firm* — Scully Scott Murphy & Presser

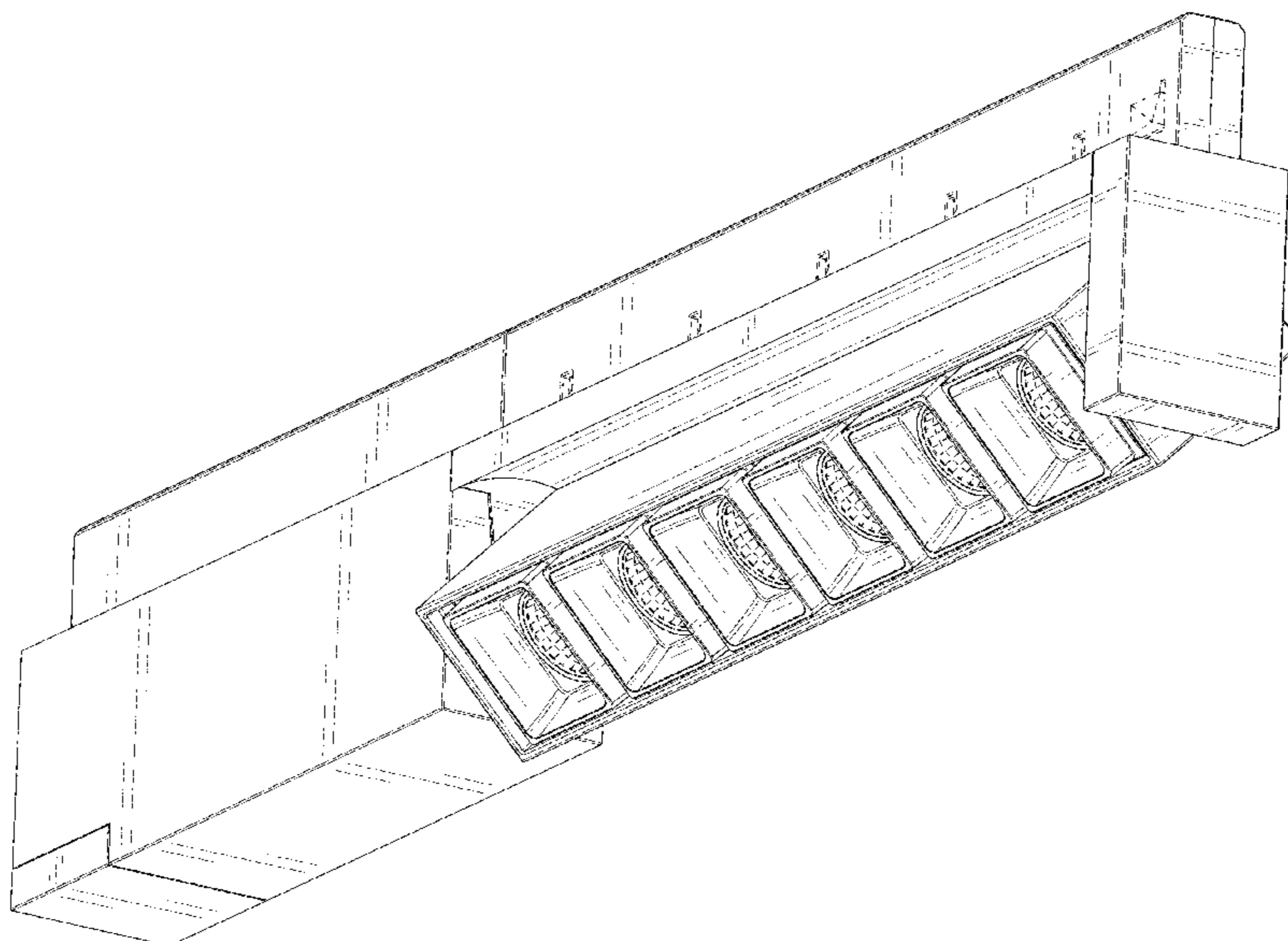
(57) **CLAIM**

The ornamental design for a luminaire, as shown and described.

DESCRIPTION

FIG. 1 illustrates a bottom, front perspective view of a luminaire showing our new and ornamental design; FIG. 2 illustrates an alternate bottom, front perspective view thereof; FIG. 3 illustrates a top, back perspective view thereof; FIG. 4 illustrates a top, front perspective view thereof; FIG. 5 illustrates a bottom, side perspective view thereof; FIG. 6 illustrates a front elevation view thereof; FIG. 7 illustrates a back elevation view thereof; FIG. 8 illustrates a bottom plan view thereof; FIG. 9 illustrates a top plan view thereof; FIG. 10 illustrates a side elevation view thereof; and, FIG. 11 illustrates an opposite side elevation view thereof. The broken lines are included for the purpose of illustrating portions of the article that form no part of the claimed design.

1 Claim, 10 Drawing Sheets



(56)

References Cited

U.S. PATENT DOCUMENTS

D805,241 S *	12/2017	Fletcher	D26/118
D808,566 S *	1/2018	Goetz-Schaefer	D26/76
D814,683 S *	4/2018	Huyghe	D26/86
D821,011 S *	6/2018	Yan	D26/63
D833,662 S *	11/2018	Gordin	D26/63
D835,324 S *	12/2018	Haubach	D26/86
D853,010 S *	7/2019	Coirier	D26/74
D853,011 S *	7/2019	Coirier	D26/74
D855,237 S *	7/2019	Liu	D26/76
2015/0308642 A1 *	10/2015	Vo	H04N 5/2256 362/648

* cited by examiner

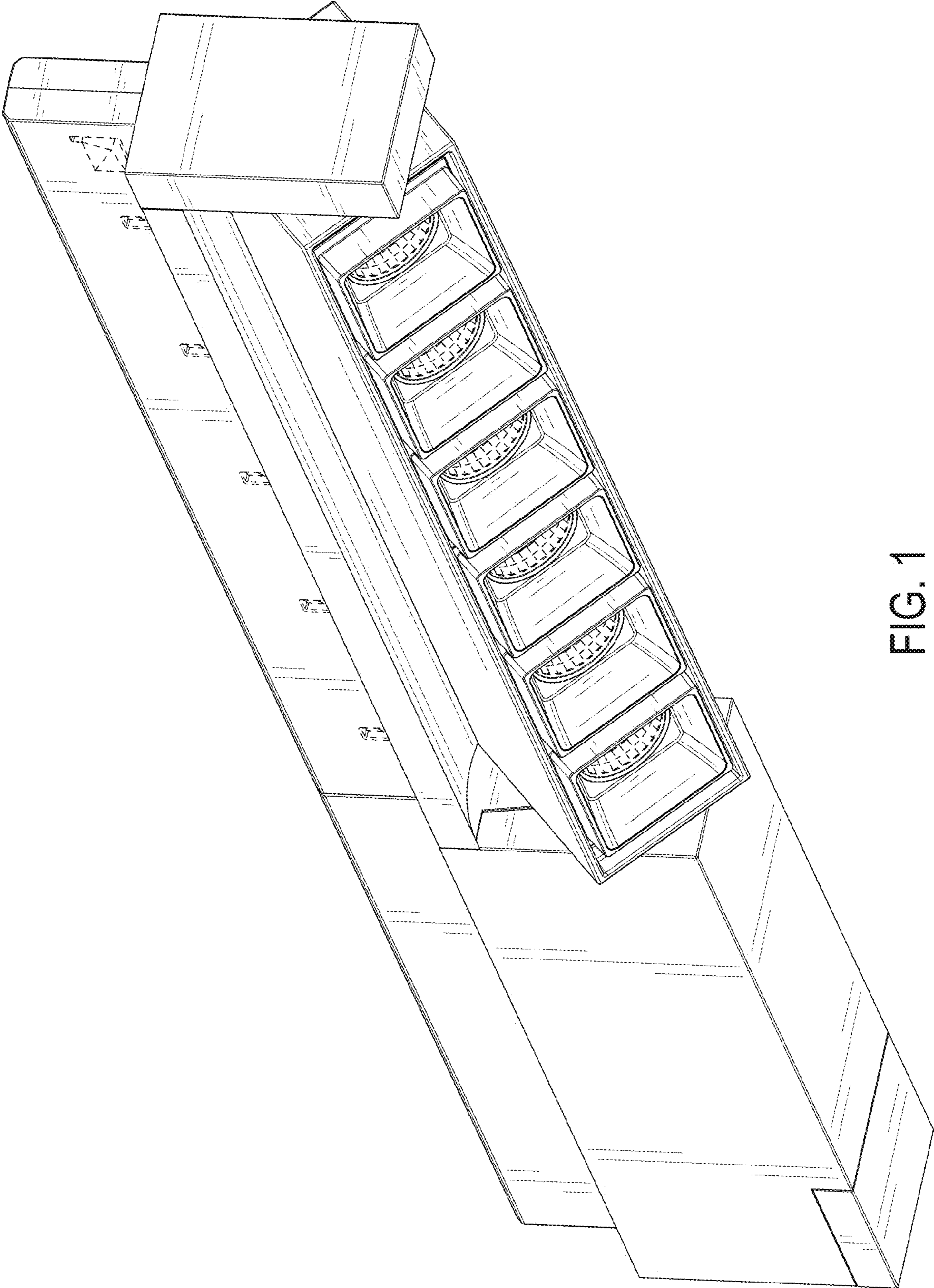


FIG. 1

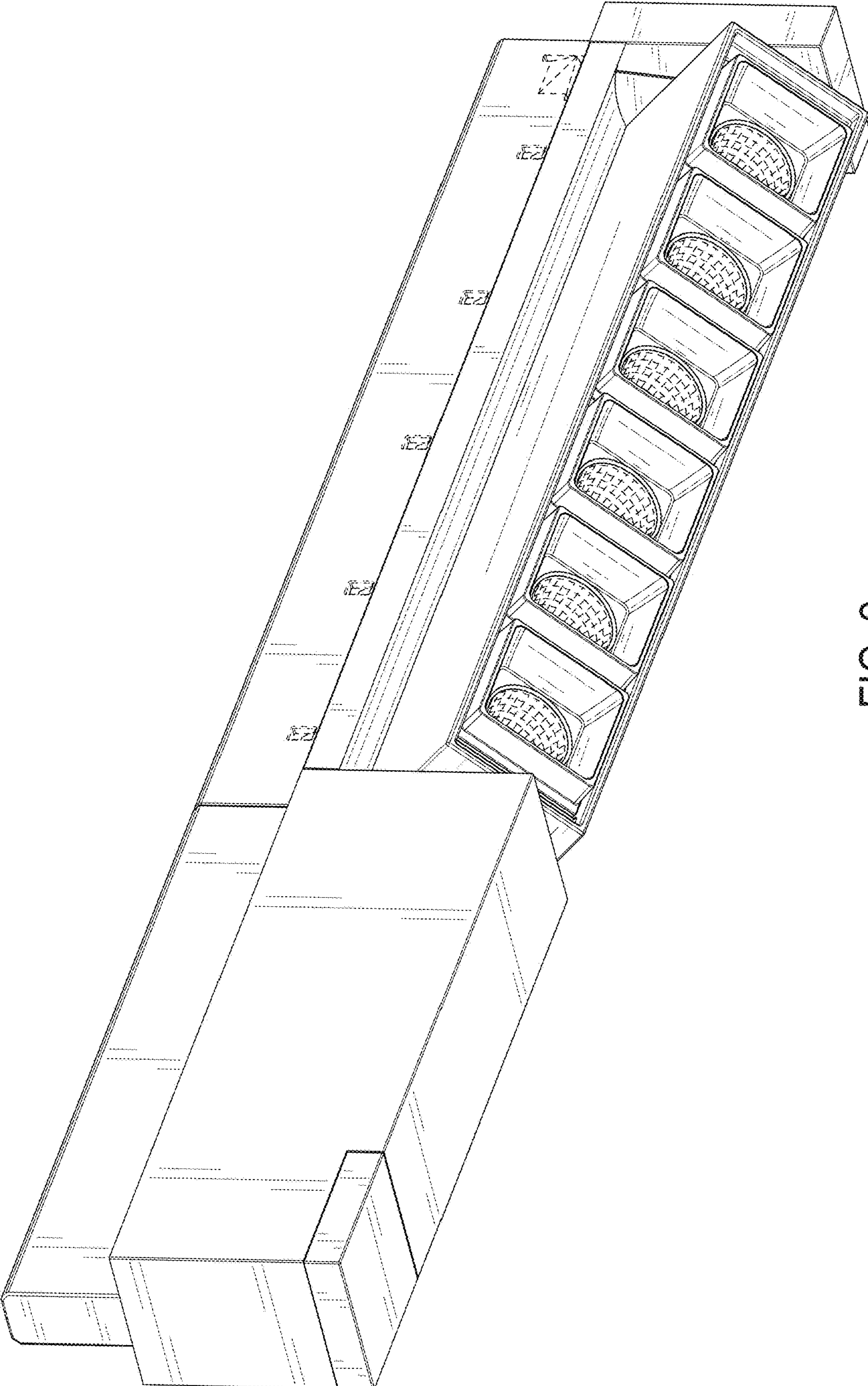


FIG. 2

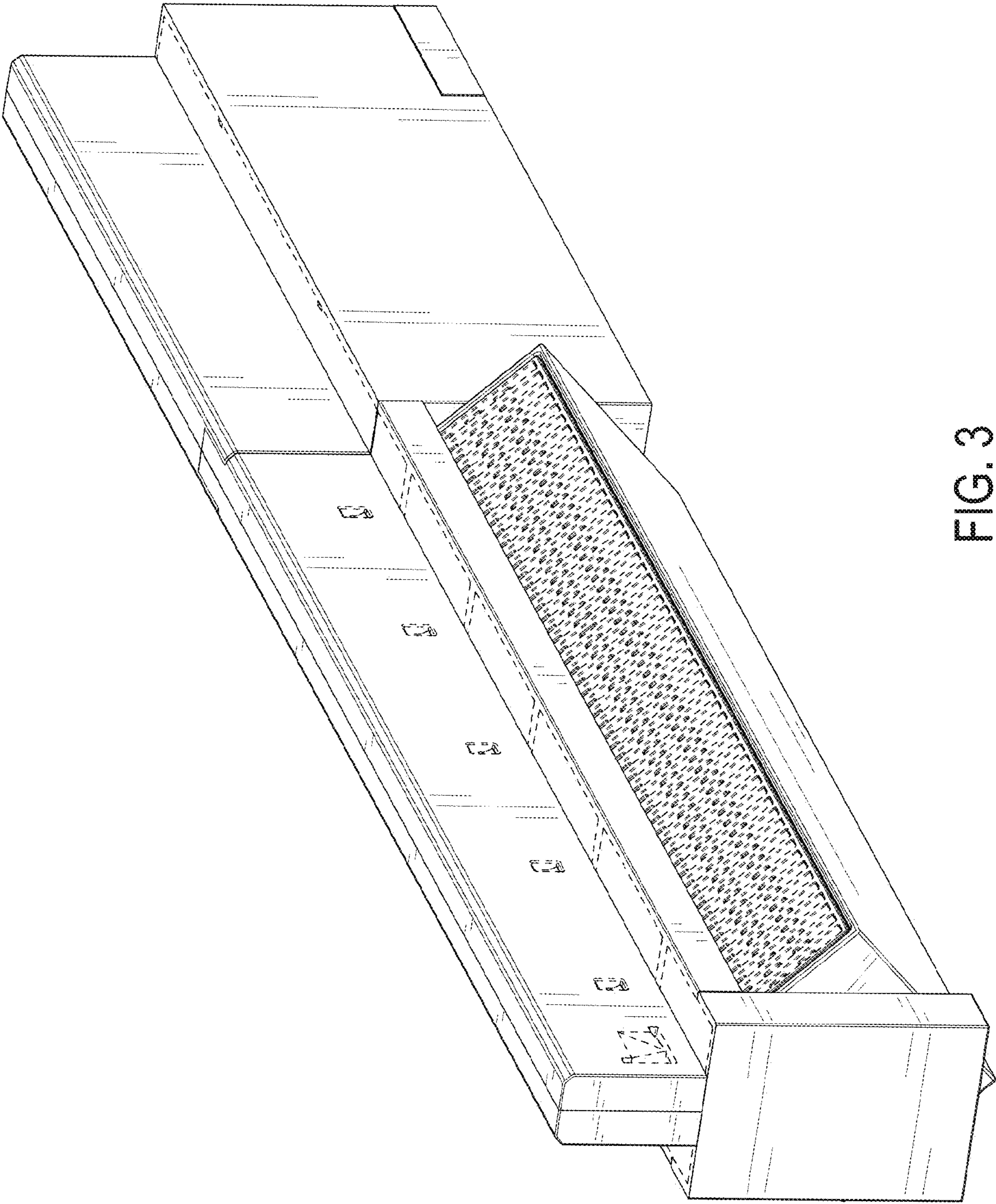


FIG. 3

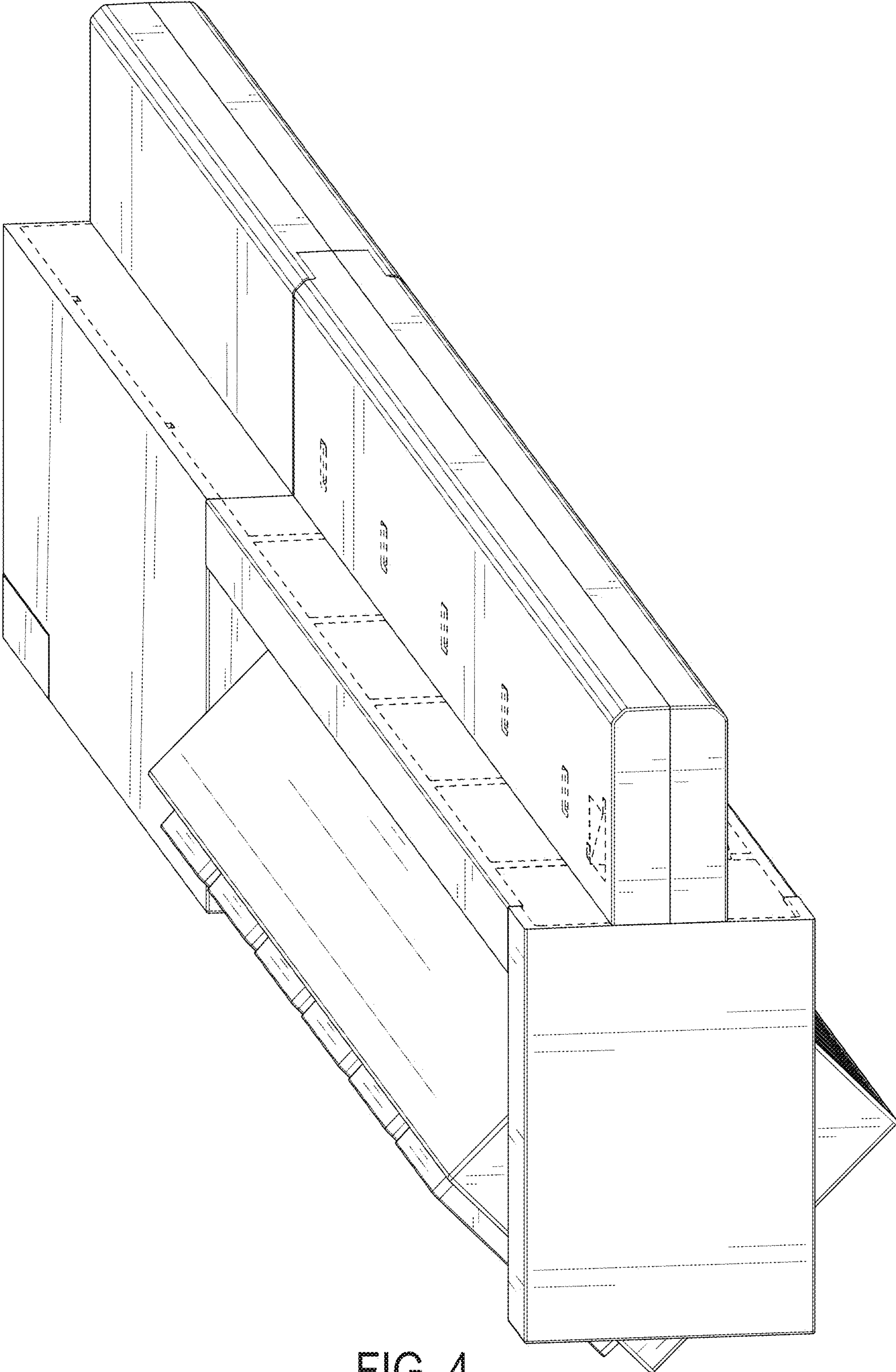


FIG. 4

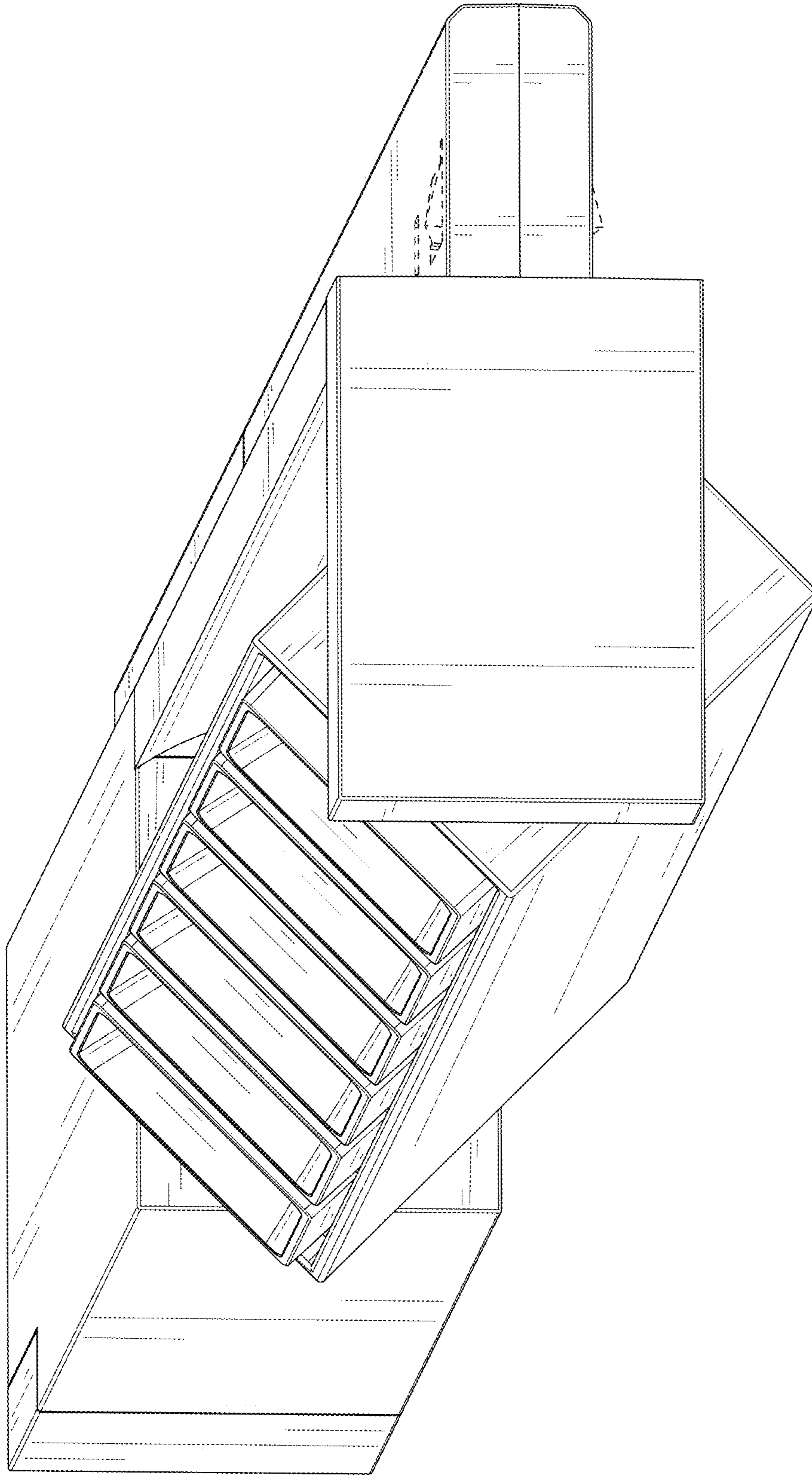


FIG. 5

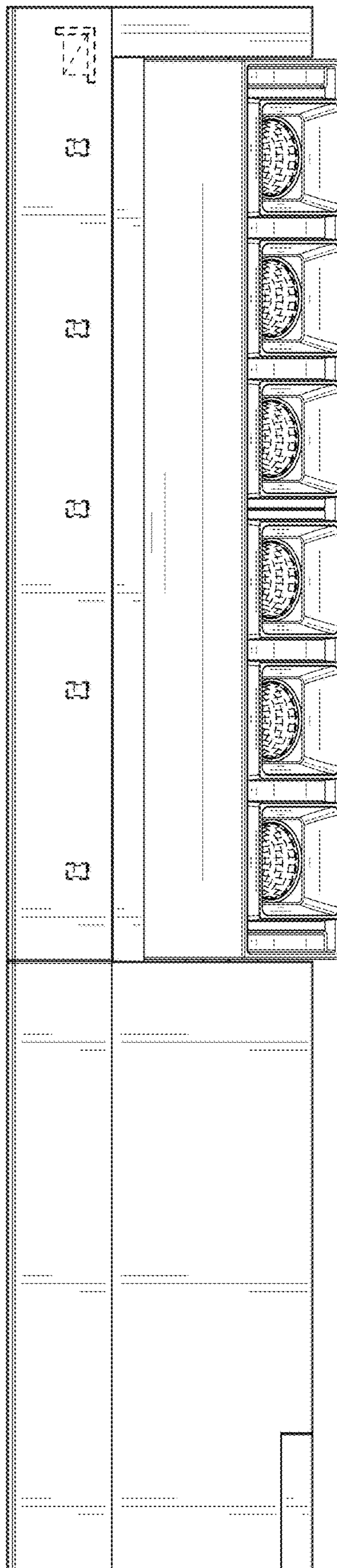


FIG. 6

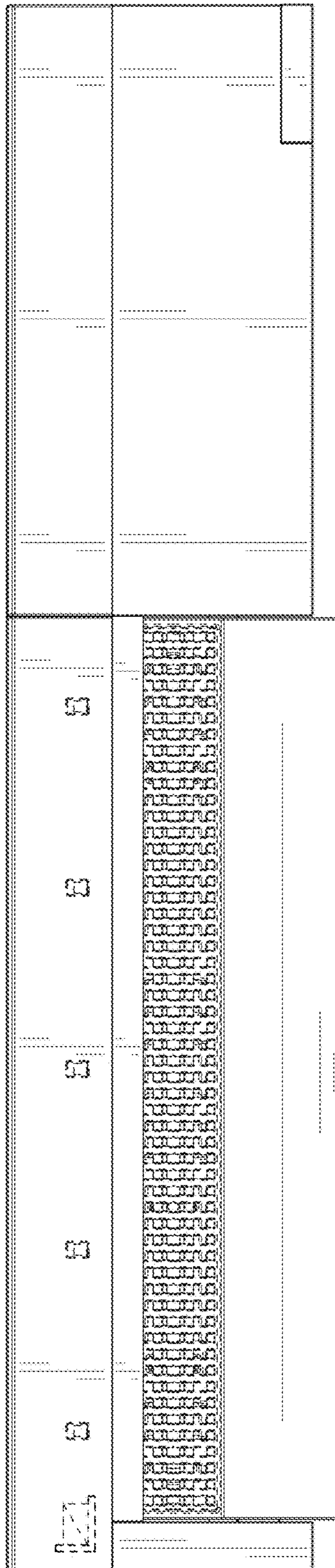


FIG. 7

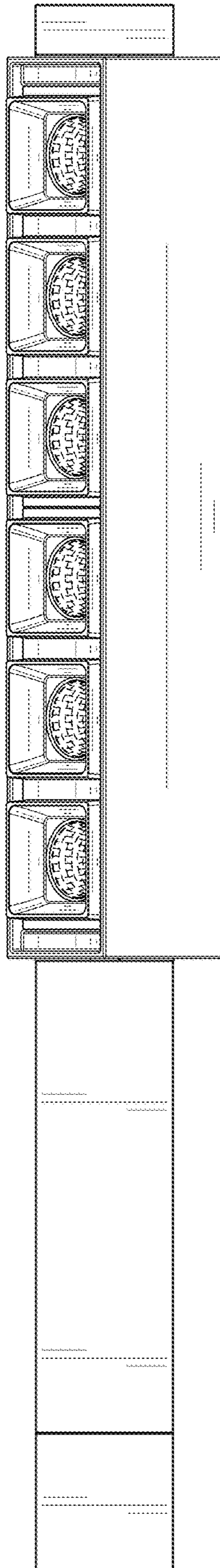


FIG. 8

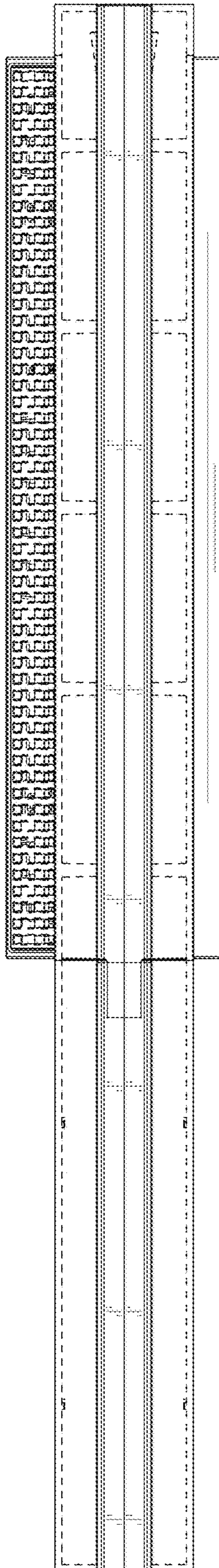


FIG. 9

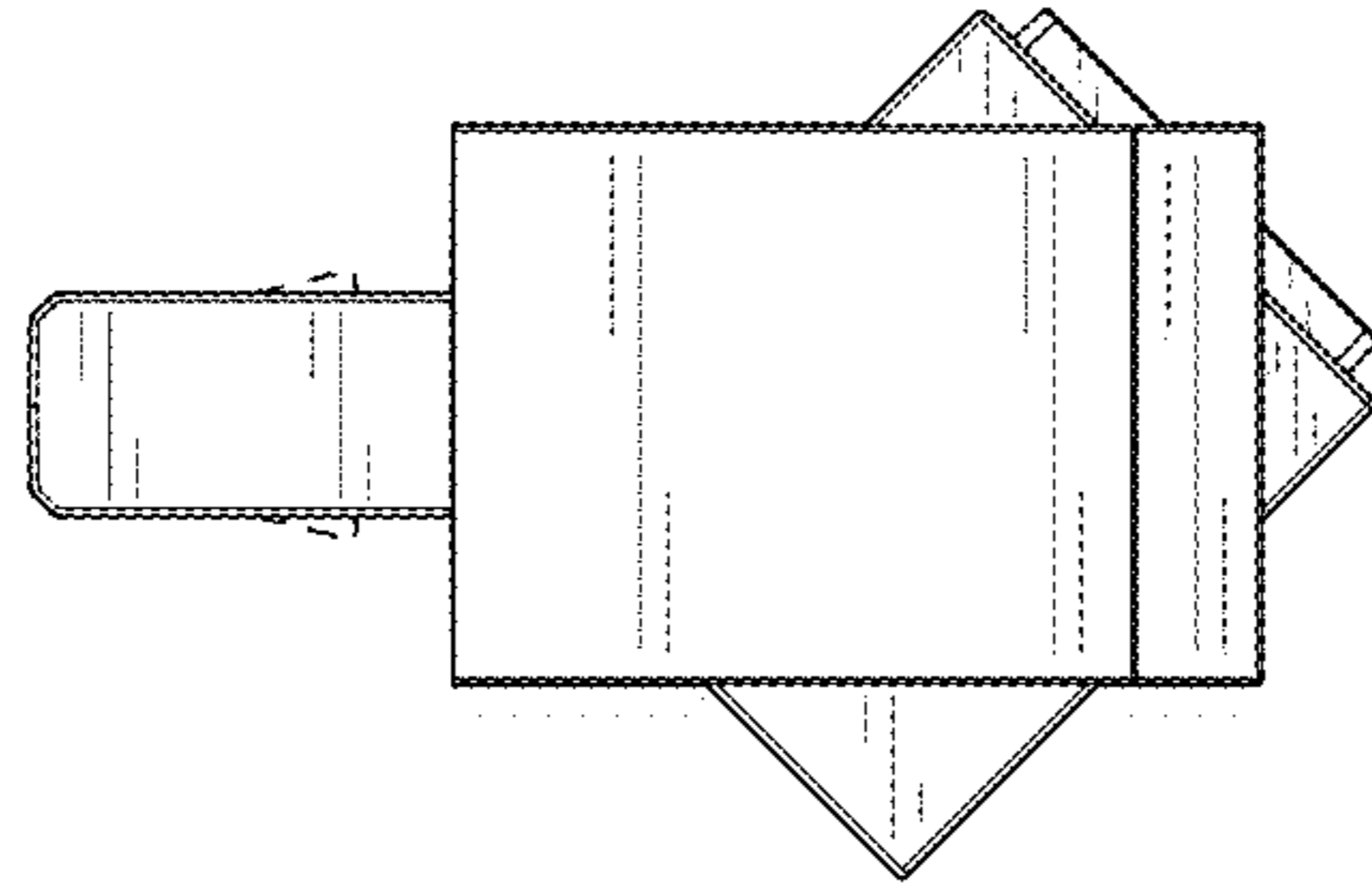


FIG. 11

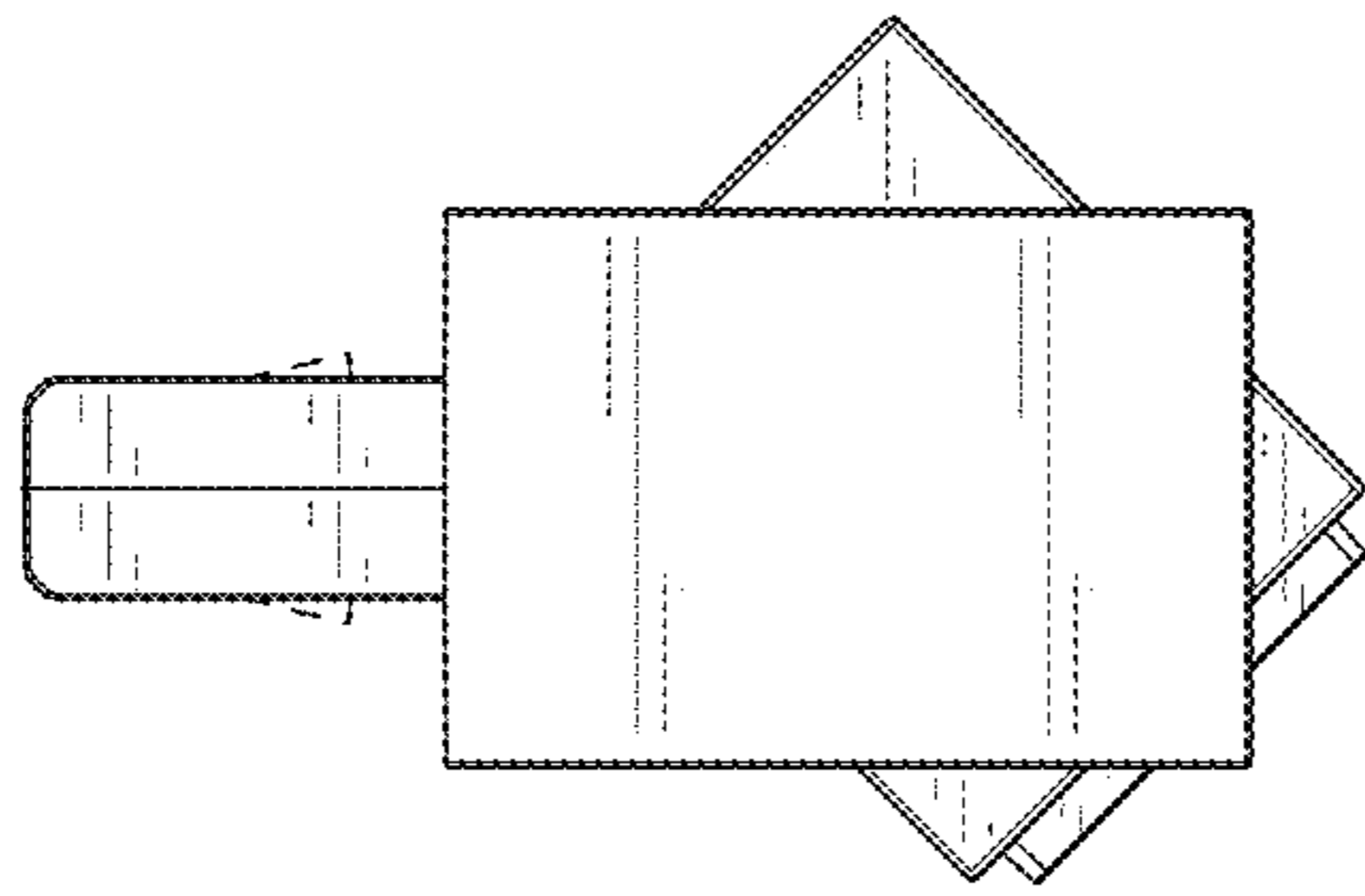


FIG. 10